



US00D426517S

United States Patent [19] Buckle

[11] **Patent Number: Des. 426,517**
[45] **Date of Patent: ** *Jun. 13, 2000**

[54] **BATTERY**

5,932,367 8/1999 Collien et al. 429/53

[75] Inventor: **Keith Buckle**, Bellingham, Mass.

FOREIGN PATENT DOCUMENTS

[73] Assignee: **The Gillette Company**, Boston, Mass.

56-147368 4/1980 Japan .

58-128656 1/1982 Japan .

58-68183 4/1984 Japan .

[*] Notice: This patent is subject to a terminal disclaimer.

OTHER PUBLICATIONS

[**] Term: **14 Years**

Duracell "Activair" zinc air batteries trade designation 5HP8.

Duracell hearing aid batteries trade designation DA10.

Duracell hearing aid batteries designation DA13H4.

Duracell hearing aid batteries designation DA312H4.

Duracell hearing aid batteries designation DA675H4.

Duracell alkaline batteries designation PX76A/675AB.

Duracell long life lithium batteries designation DL2450.

Duracell long life lithium batteries designation DL1/3NB.

Duracell zinc air batteries designation DA630.

Duracell photo electronic alkaline batteries designation PX625A.

Duracell watch/calculator silver batteries designation D381/391.

Duracell silver batteries designation D301/386B.

Duracell silver batteries designation D309/393B.

Duracell silver batteries designation D364B.

Duracell silver batteries designation D303/357B.

[21] Appl. No.: **29/109,752**

[22] Filed: **Aug. 20, 1999**

[51] **LOC (7) Cl.** **13-02**

[52] **U.S. Cl.** **D13/103**

[58] **Field of Search** D13/103; 429/27,
429/162, 171, 174, 185

[56] **References Cited**

U.S. PATENT DOCUMENTS

D. 118,597	4/1940	Knauss .	
D. 334,559	4/1993	Okahisa .	
D. 335,120	4/1993	Okahisa .	
2,712,565	7/1955	Williams, Jr.	429/53
3,457,117	7/1969	Angelovich	429/174
3,673,000	6/1972	Ruetschi	429/174
3,853,627	12/1974	Lehmann et al.	429/144
3,990,918	11/1976	Bro et al.	429/185
4,041,211	8/1977	Wiacek	429/36
4,121,020	10/1978	Epstein et al.	429/162
4,121,021	10/1978	Ogawa et al.	429/162
4,129,686	12/1978	Kaduboski	429/61
4,247,606	1/1981	Uetani et al.	429/91
4,343,869	8/1982	Oltman et al.	429/27
4,404,266	9/1983	Smilanich	429/27
4,640,874	2/1987	Kelm	429/27
5,187,033	2/1993	Koshiba	429/194
5,346,783	9/1994	Tomantschger et al.	429/66
5,432,027	7/1995	Tuttle et al.	429/127
5,478,673	12/1995	Funatsu	429/197
5,576,117	11/1996	Morita et al.	429/162
5,804,327	9/1998	Oltman	429/27
5,849,044	12/1998	Tuttle	29/623.2

Primary Examiner—Joel Sincavage

Attorney, Agent, or Firm—Barry D. Josephs; Paul I. Douglas

[57] **CLAIM**

The ornamental design for the battery, as shown.

DESCRIPTION

FIG. 1 is a top perspective view of the battery of the invention;

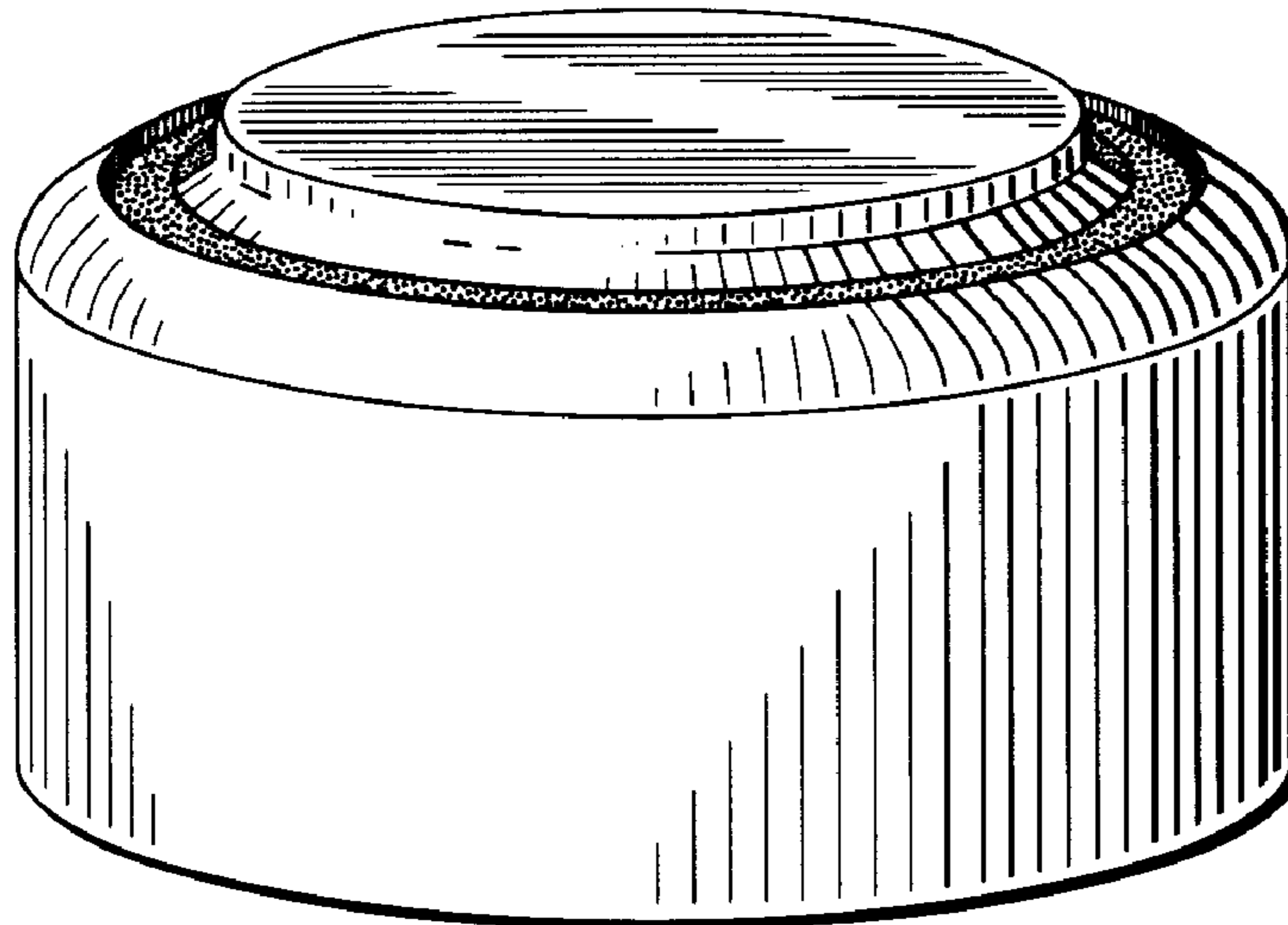
FIG. 2 is a bottom perspective view thereof;

FIG. 3 is top plan view thereof;

FIG. 4 is an side elevation view thereof; and,

FIG. 5 is a bottom plan view thereof.

1 Claim, 2 Drawing Sheets



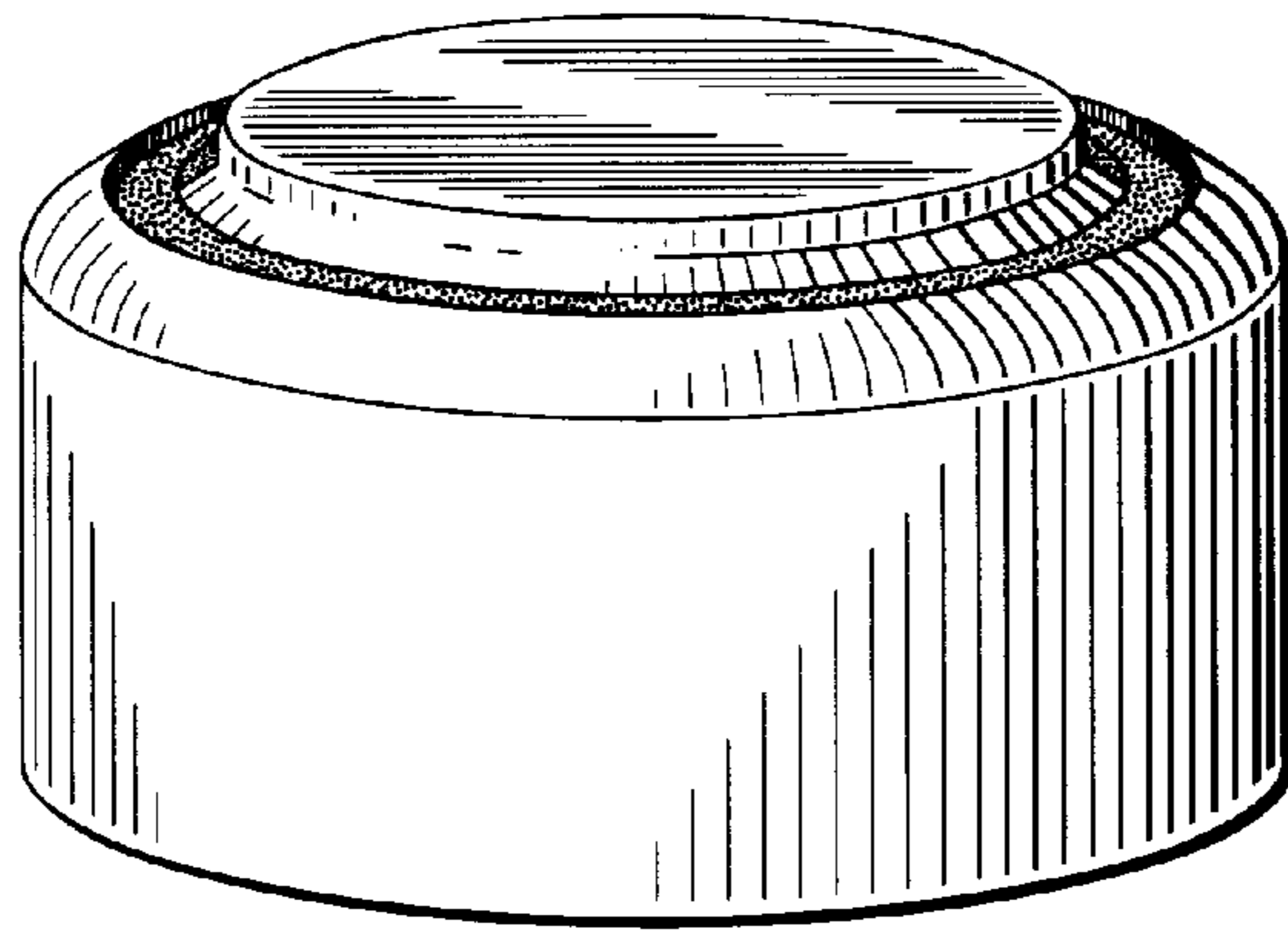


Fig. 1

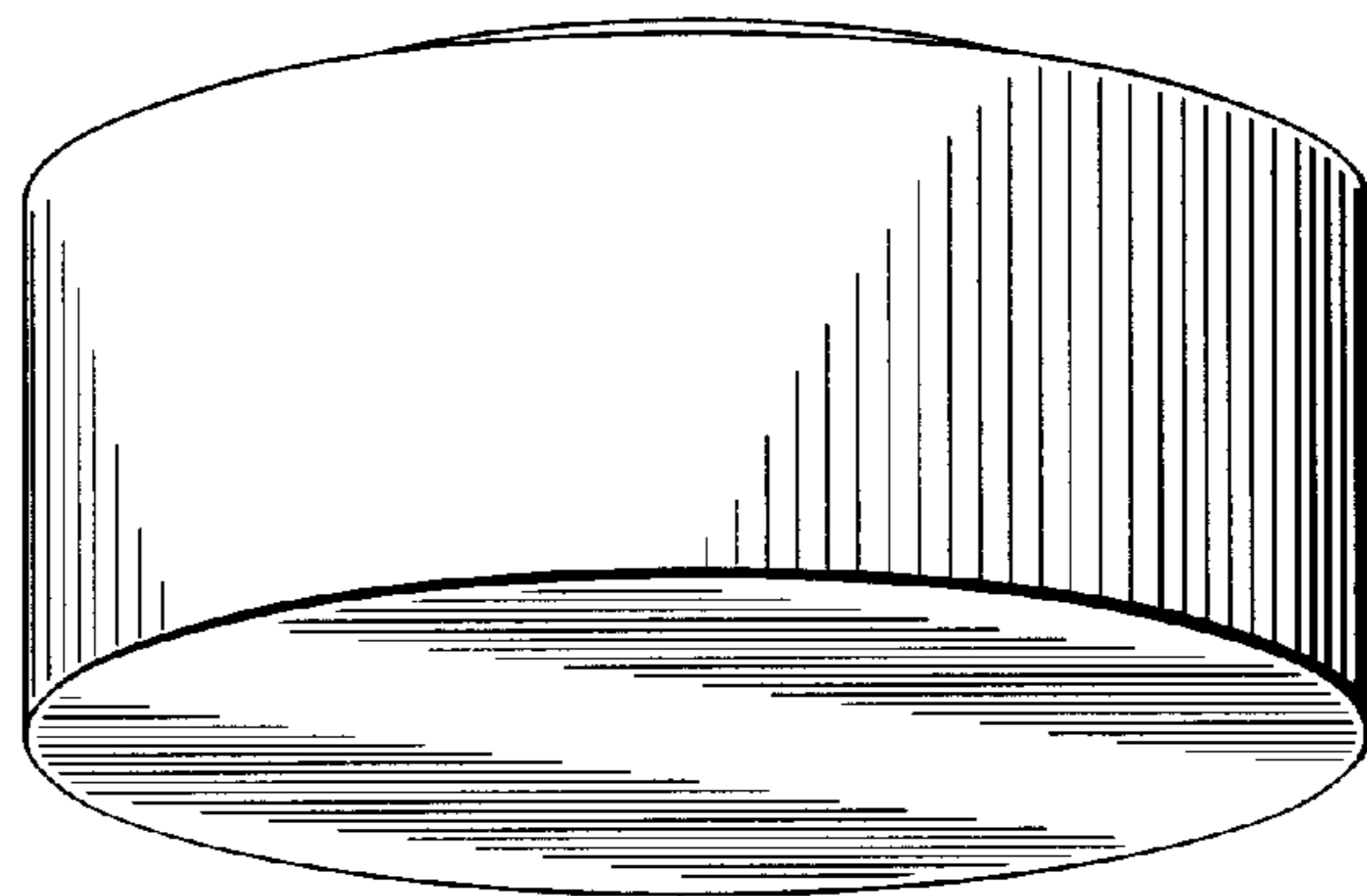


Fig. 2

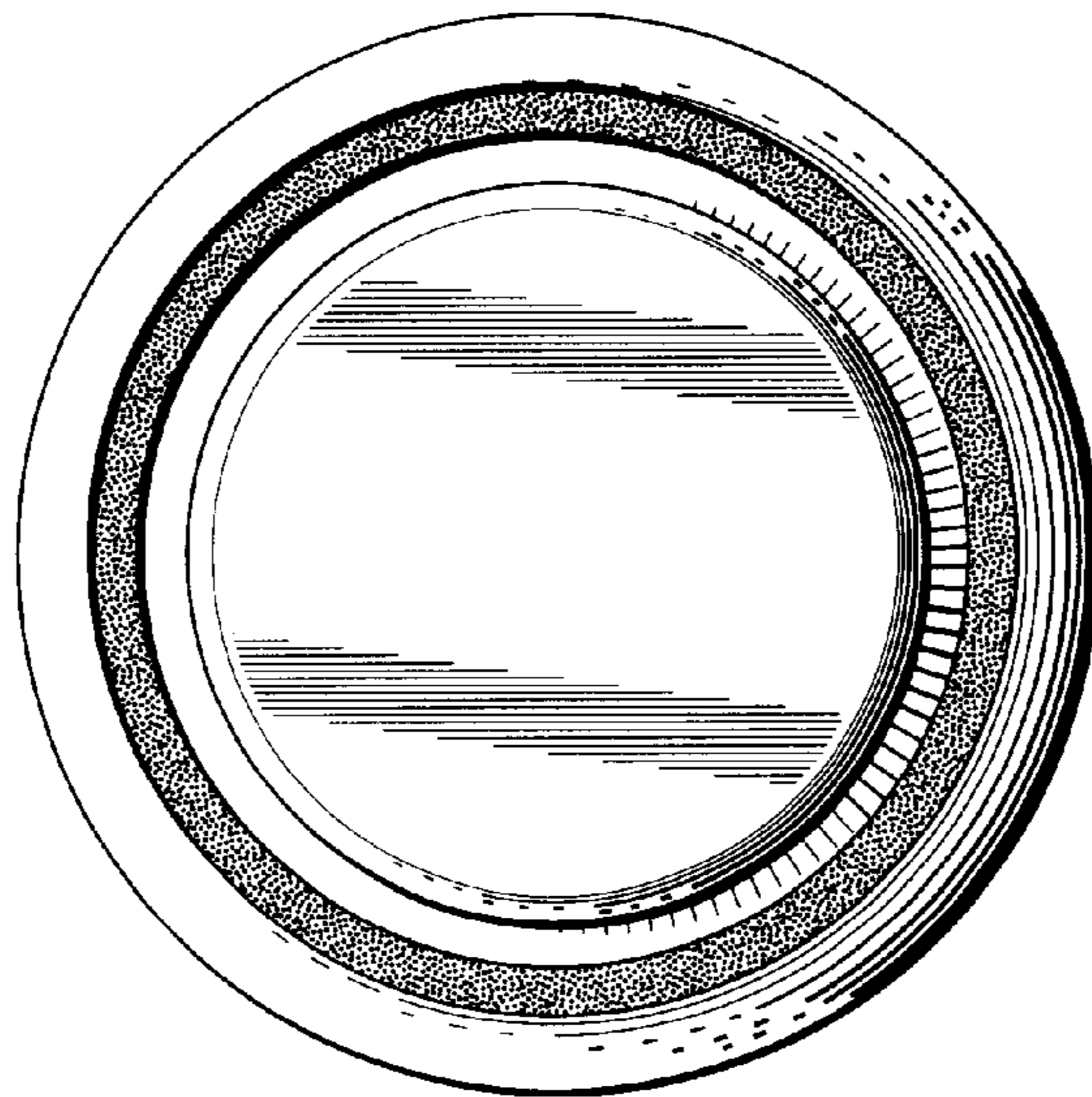


Fig. 3

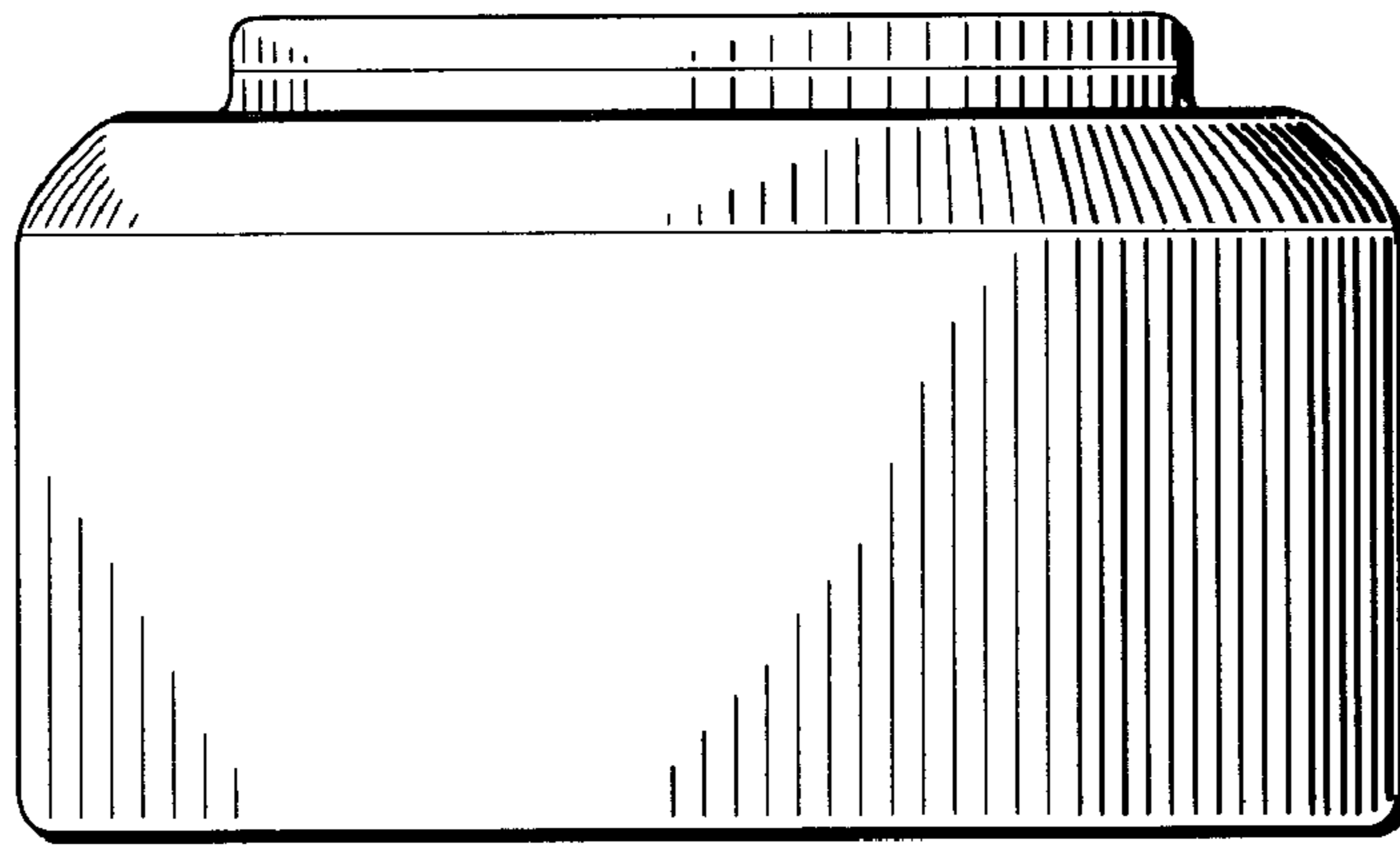


Fig. 4

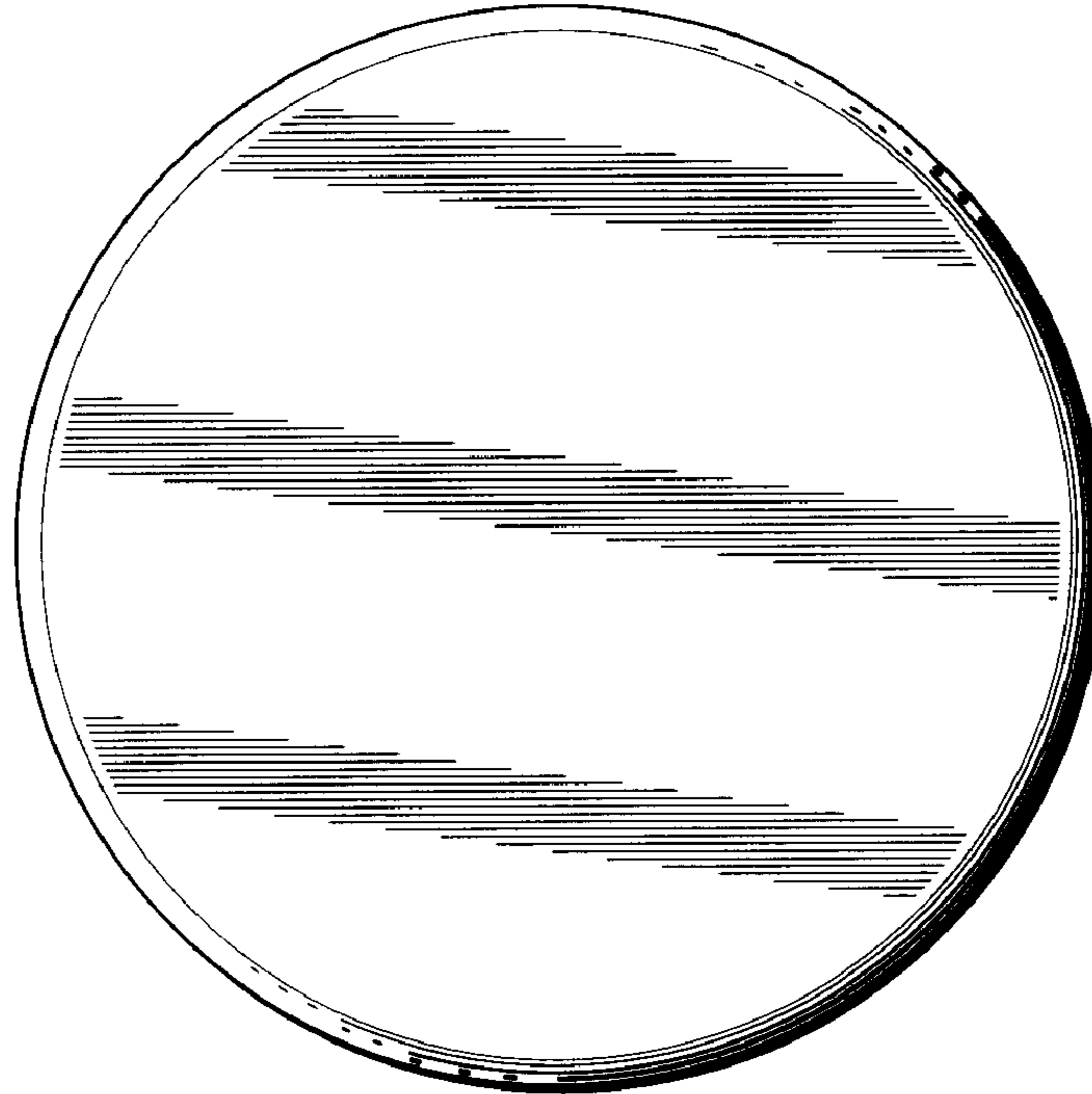


Fig. 5