



US00D426513S

United States Patent [19]

[11] Patent Number: **Des. 426,513**

Toops et al.

[45] Date of Patent: **** Jun. 13, 2000**

[54] **BATTERY PACK CASING**

[75] Inventors: **Kenneth E. Toops**, Gainesville, Fla.;
Leonardo Aldana, Pradera Dorada Cd.
Juarez, Mexico

[73] Assignee: **Eveready Battery Company, Inc.**, St.
Louis, Mo.

[**] Term: **14 Years**

[21] Appl. No.: **29/101,857**

[22] Filed: **Mar. 12, 1999**

[51] **LOC (7) Cl.** **13-02**

[52] **U.S. Cl.** **D13/103**

[58] **Field of Search** **D13/103, 119;**
429/96-100, 159, 163, 174

[56] **References Cited**

U.S. PATENT DOCUMENTS

D. 225,109	11/1972	Flidor	D13/119
D. 305,639	1/1990	Miki et al. .	
D. 356,776	3/1995	Yoshii .	
D. 362,424	9/1995	Sumita et al.	D13/103
D. 390,187	2/1998	Urvoy	D13/103
D. 400,494	11/1998	Blase	D13/103
D. 417,860	12/1999	Lau	D13/103
2,225,460	12/1940	Porth .	
2,266,686	12/1941	Emanuel .	
4,123,598	10/1978	Hammel .	
4,315,364	2/1982	Leffingwell .	
4,455,523	6/1984	Koenck .	
4,530,034	7/1985	Kawarada .	
4,576,880	3/1986	Verdier et al. .	
4,737,420	4/1988	Ikeda et al. .	
4,943,498	7/1990	Cooper et al. .	
4,965,148	10/1990	Daio et al.	429/159
4,969,206	11/1990	Desrochers .	
4,997,731	3/1991	Machida et al. .	
5,132,800	7/1992	Wada et al. .	
5,151,727	9/1992	Sasaki .	
5,183,714	2/1993	Mitsui et al. .	
5,208,116	5/1993	Joh .	
5,227,262	7/1993	Ozer .	
5,248,927	9/1993	Takei et al. .	
5,259,786	11/1993	Huang .	

5,341,171	8/1994	Mori et al. .
5,399,446	3/1995	Takahashi .
5,415,947	5/1995	Mitsui et al. .
5,437,938	8/1995	Mitsui et al. .
5,506,749	4/1996	Matsuda .
5,602,454	2/1997	Arakawa et al. .
5,672,441	9/1997	Akoi et al. .
5,680,027	10/1997	Hiratsuka et al. .
5,805,069	9/1998	Mitsui et al. .

FOREIGN PATENT DOCUMENTS

0480706	4/1992	European Pat. Off. .
0559573	9/1993	European Pat. Off. .
0572327	12/1993	European Pat. Off. .
9112374	2/1992	Germany .
59-167098	9/1984	Japan .
63-259961	10/1988	Japan .
1243370	9/1989	Japan .
4127075	4/1992	Japan .
402095	10/1973	U.S.S.R. .
1487604	10/1977	United Kingdom .
9211679	7/1992	WIPO .

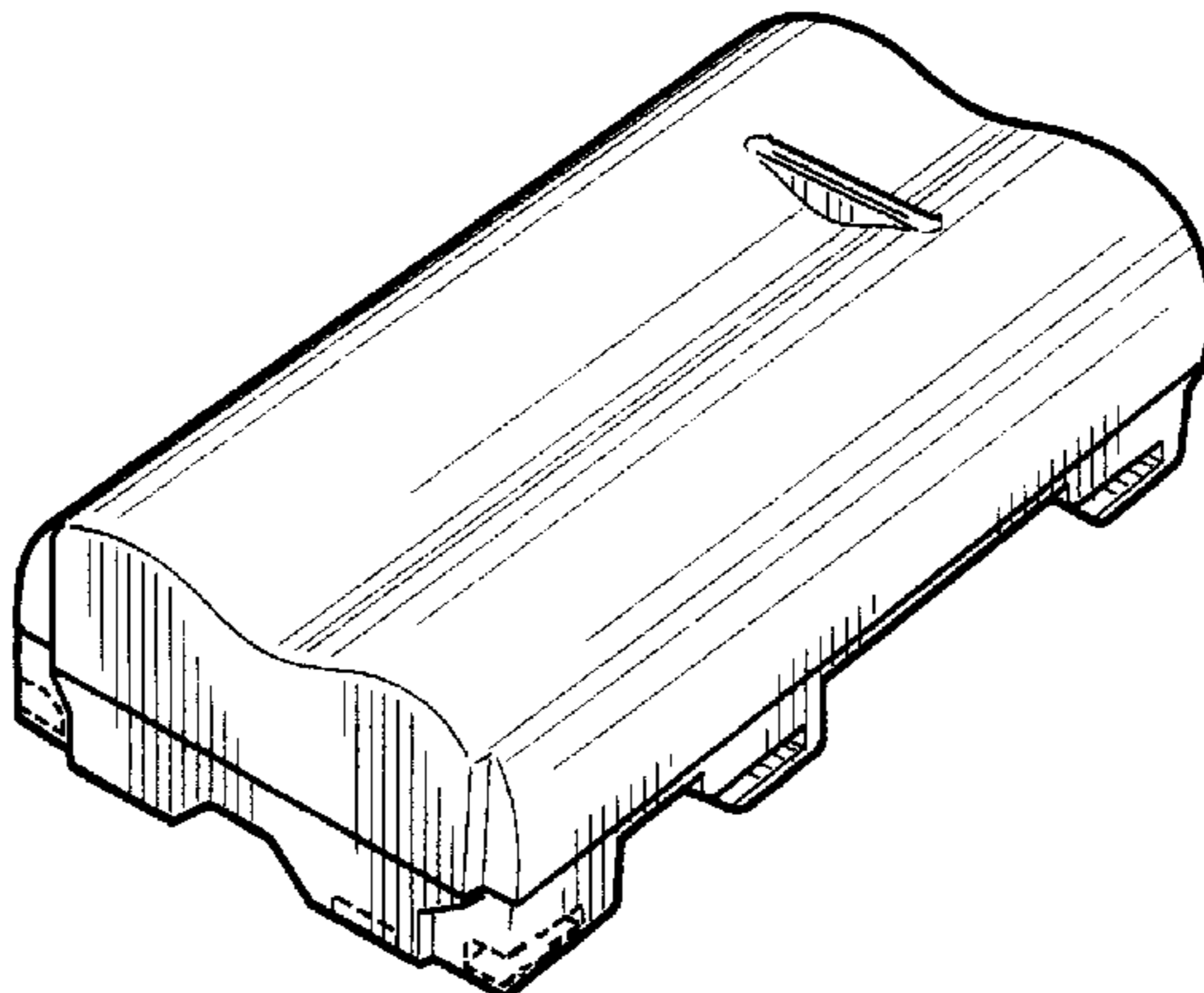
Primary Examiner—Joel Sincavage
Attorney, Agent, or Firm—Linda Gebauer; Robert W. Welsh

[57] **CLAIM**

We claim the ornamental design for a battery pack casing, as shown in the drawing figures.

DESCRIPTION

FIG. 1 is a perspective view showing the front, top, and a first side of the battery pack of the present invention;
 FIG. 2 is a perspective view showing the bottom, front, and a second side of the battery pack casing of the present invention;
 FIG. 3 is a perspective view of the front of the battery pack casing of the present invention;
 FIG. 4 is a perspective view of the rear of the battery pack casing of the present invention;
 FIG. 5 is a perspective view of the top of the battery pack casing according to the present invention;
 FIG. 6 is a perspective view of the bottom of the battery pack casing according to the present invention;
 FIG. 7 is a perspective view showing the first side of the battery pack casing of the present invention; and,
 FIG. 8 is a perspective view showing the second side of the battery pack casing according to the present invention.



The broken line showing throughout the drawing figures is included for the purpose of illustrating the battery pack casing only and forms no part of the claimed design.

1 Claim, 2 Drawing Sheets

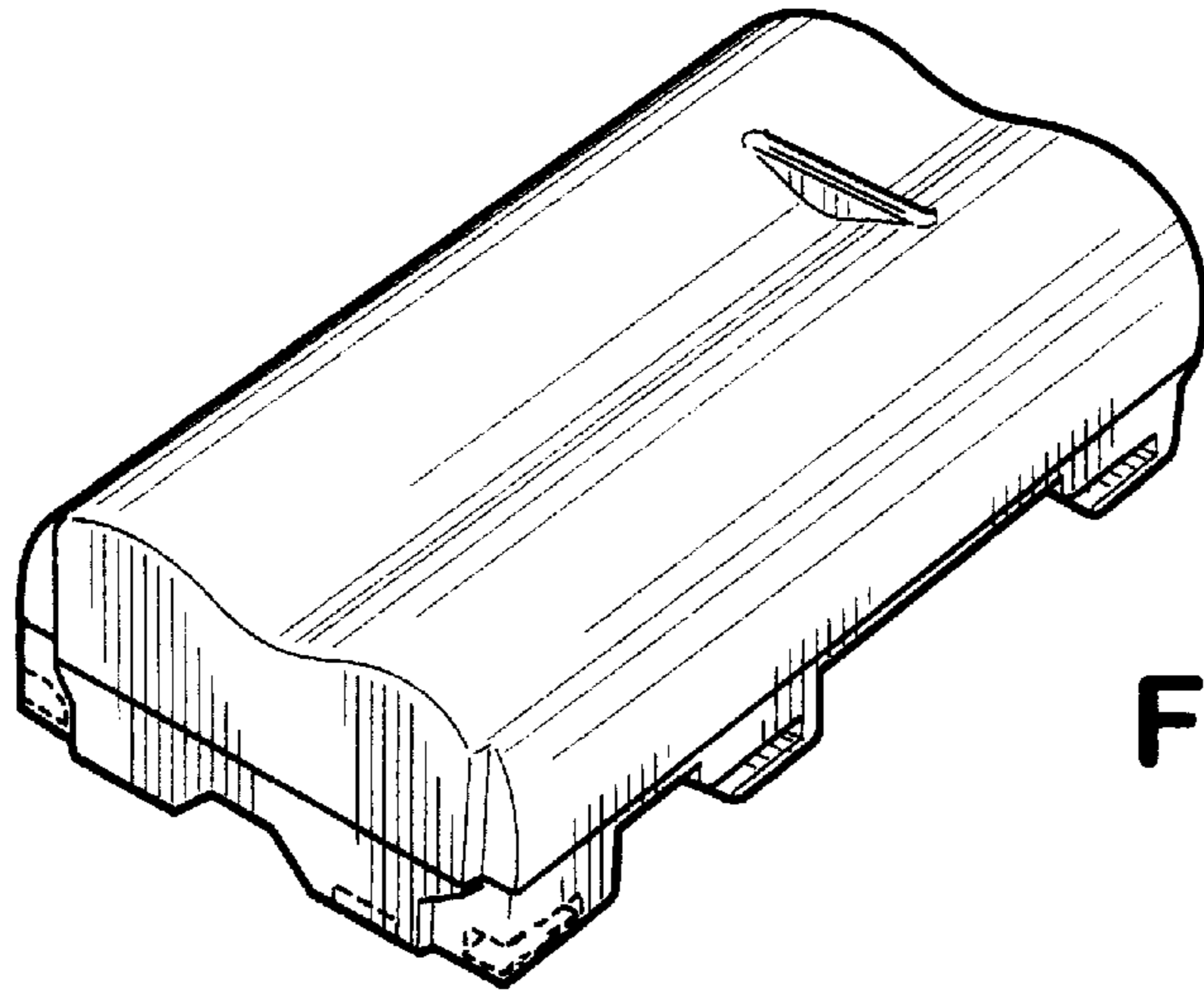


Fig. 1

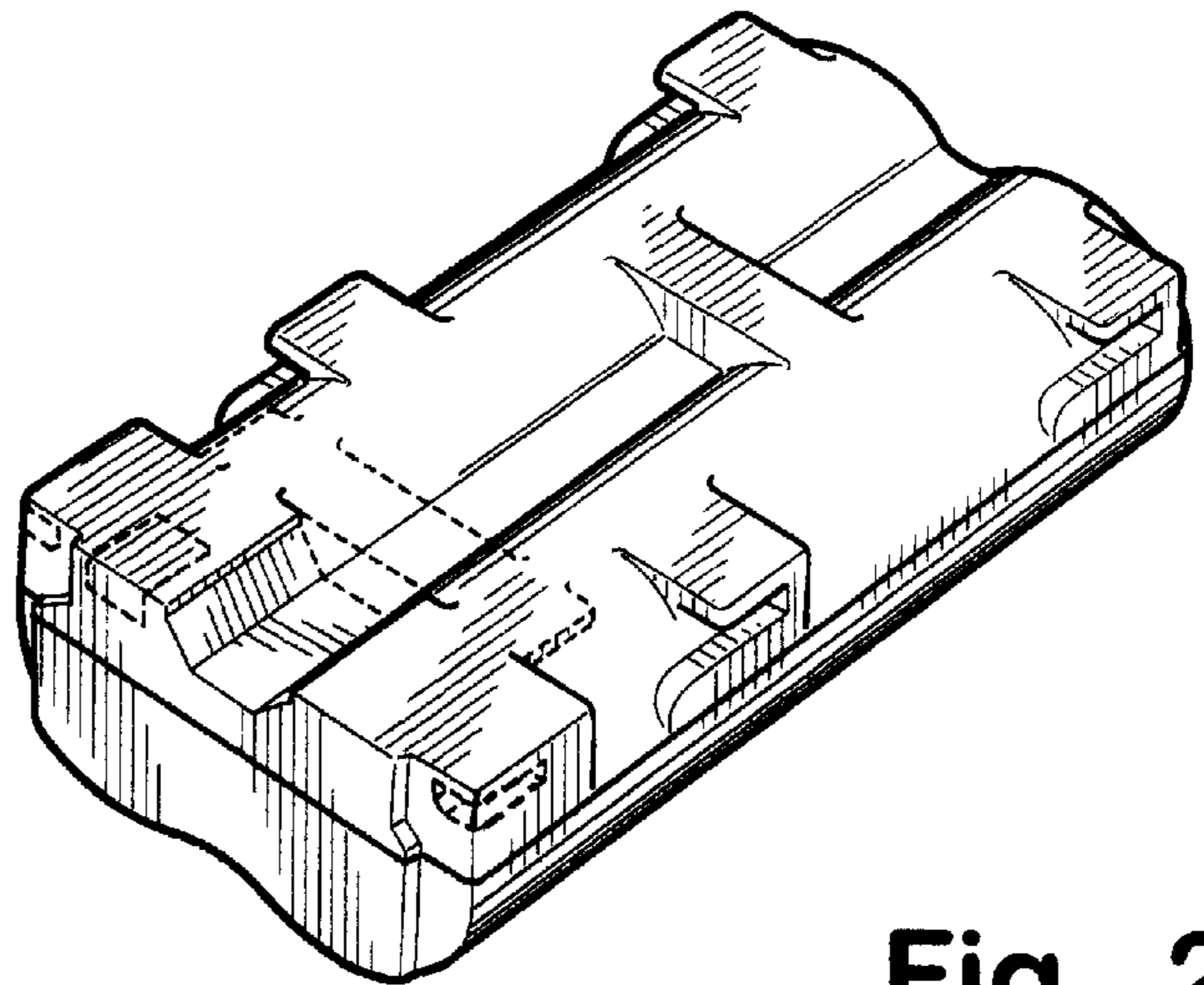


Fig. 2

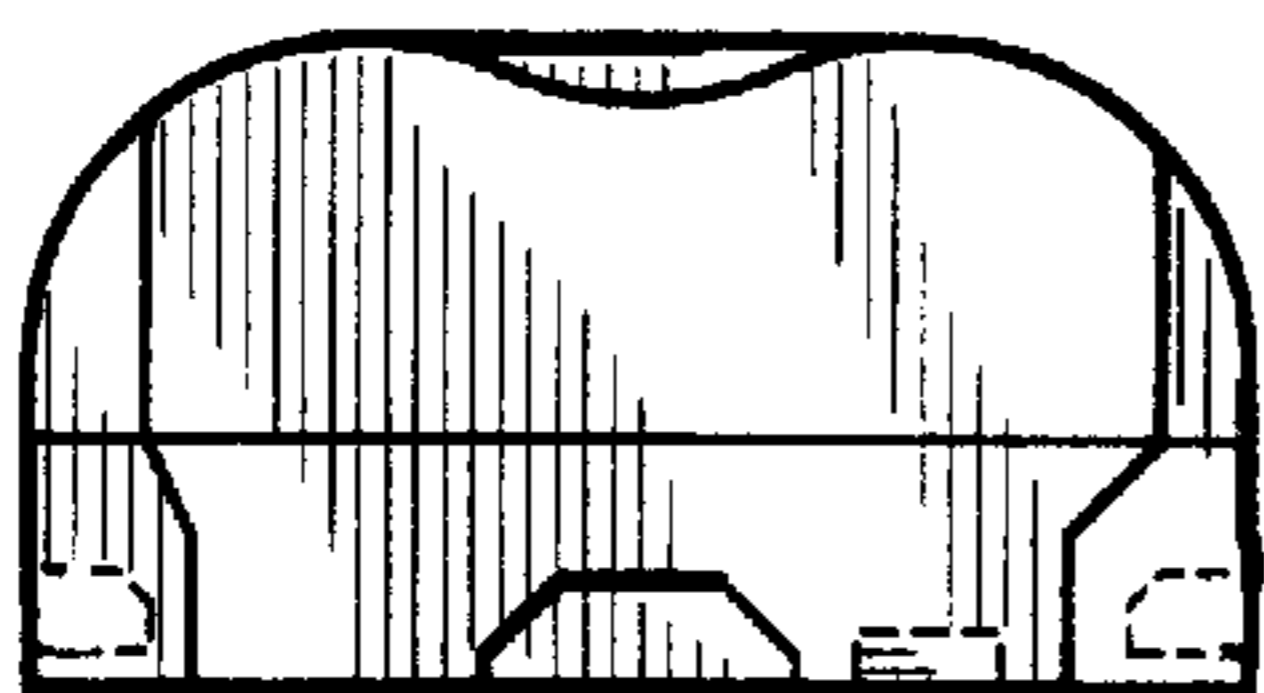


Fig. 3

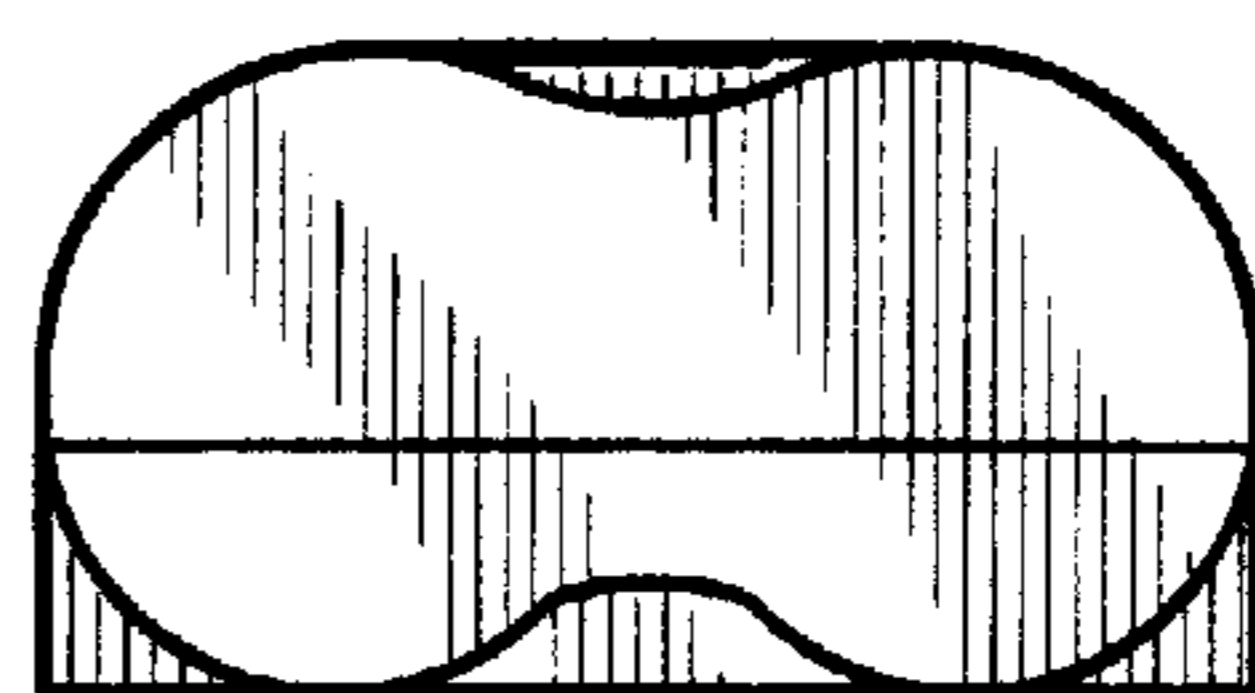


Fig. 4

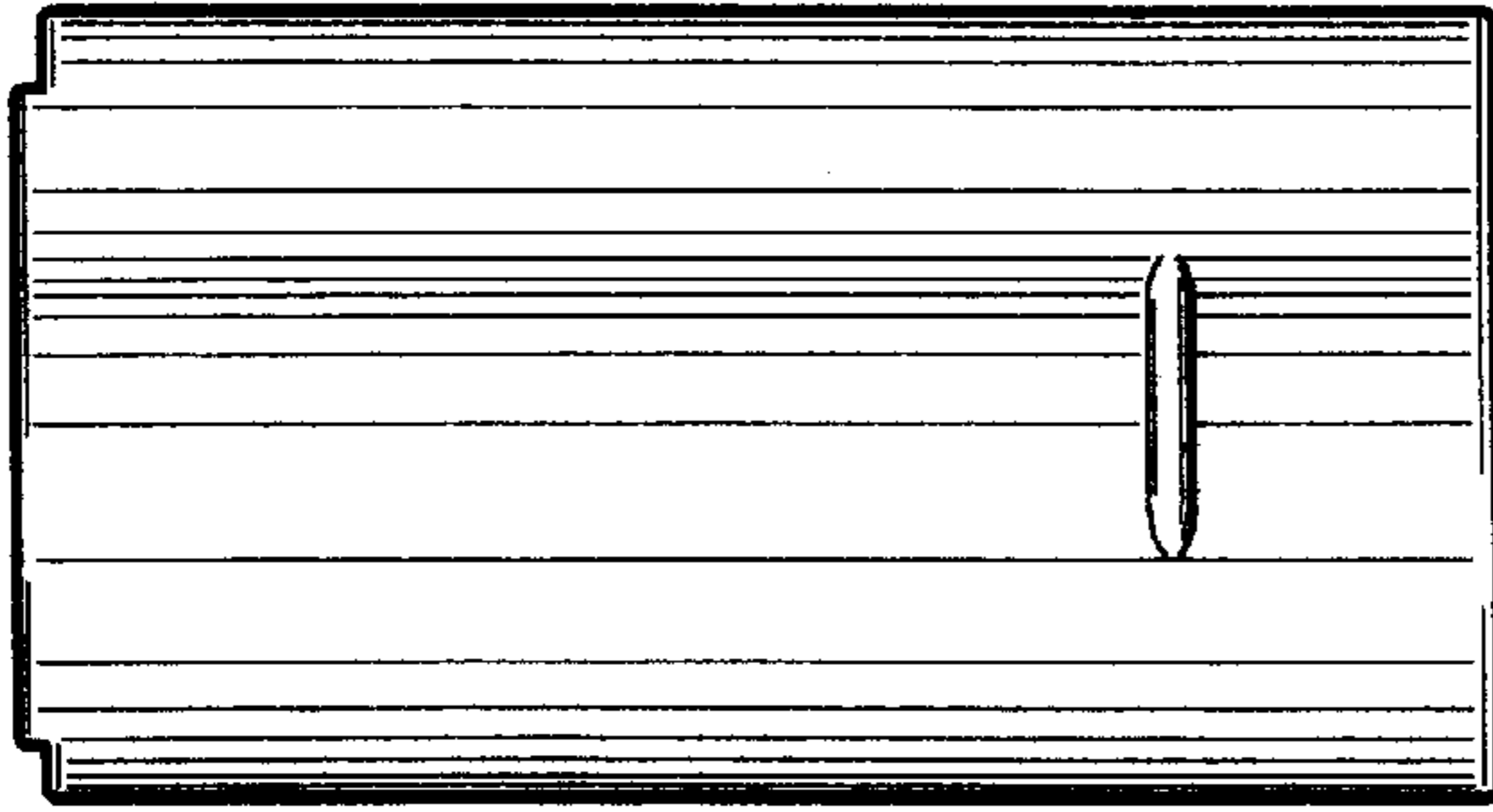


Fig. 5

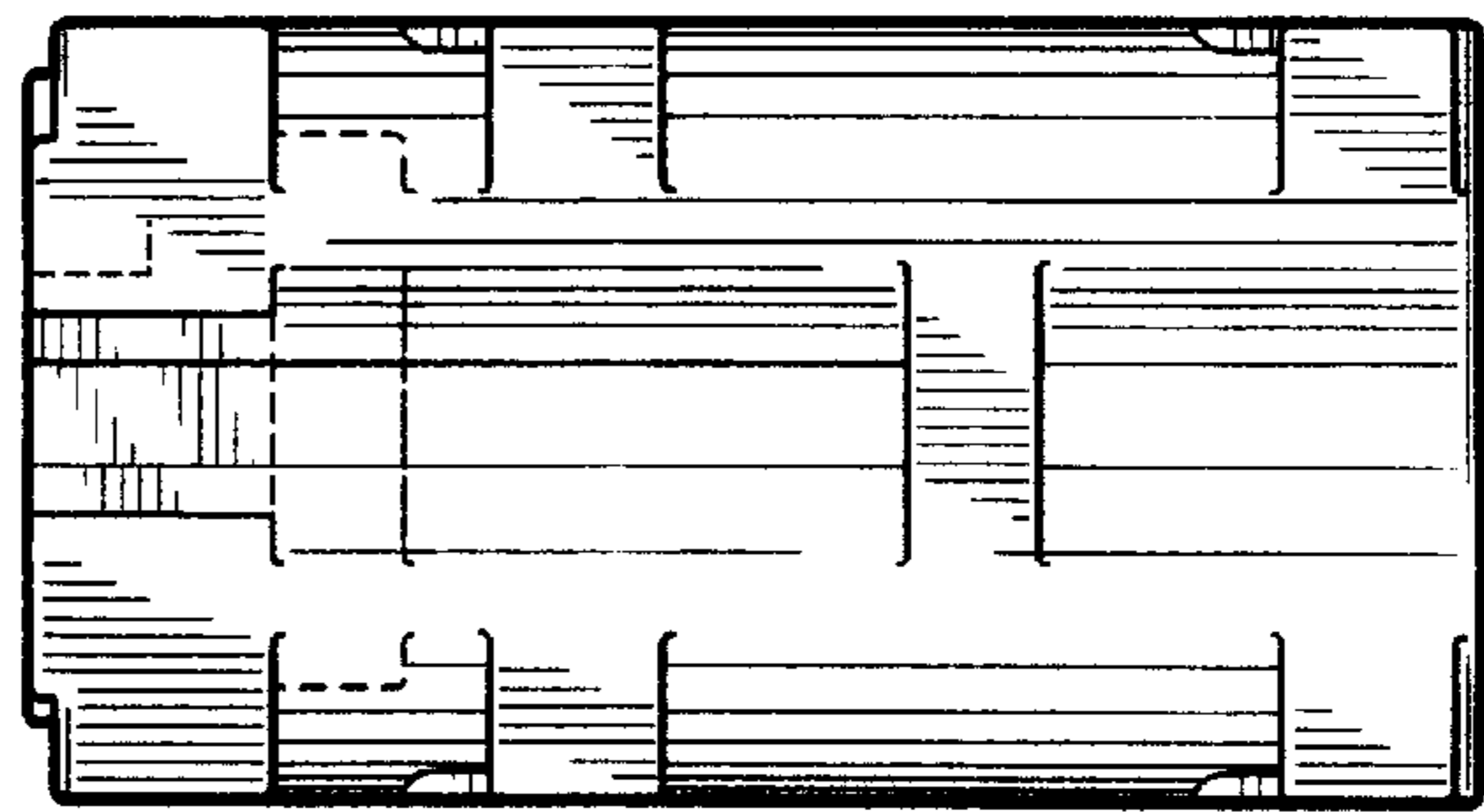


Fig. 6

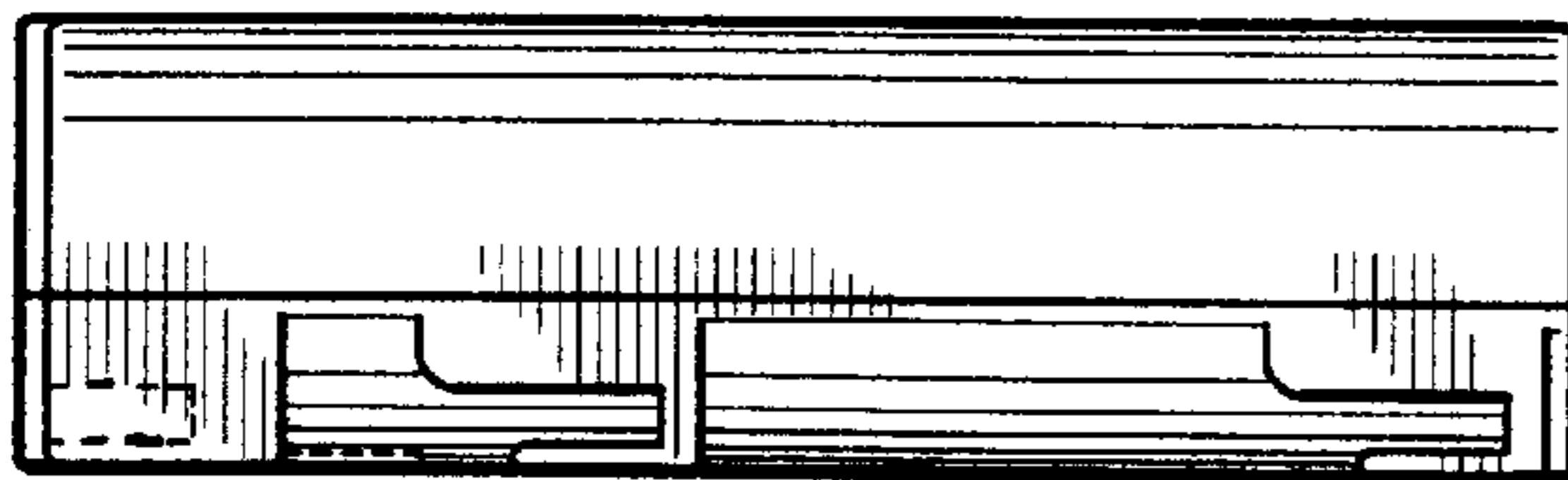


Fig. 7

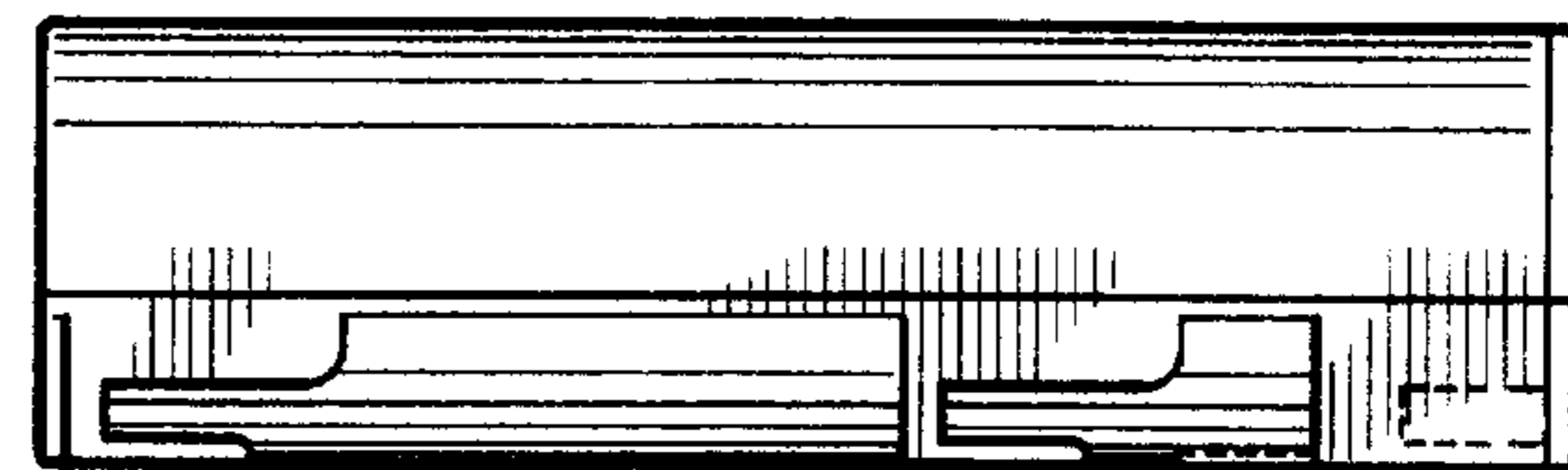


Fig. 8