



US00D426512S

United States Patent [19] Ciuba

[11] Patent Number: **Des. 426,512**

[45] Date of Patent: **** Jun. 13, 2000**

[54] **VEHICLE STORAGE UNIT**

[76] Inventor: **Jerry Ciuba**, 126 Colonia Blvd.,
Rahway, N.J. 07065

[**] Term: **14 Years**

[21] Appl. No.: **29/111,099**

[22] Filed: **Sep. 17, 1999**

[51] **LOC (7) Cl.** **12-16**

[52] **U.S. Cl.** **D12/425**

[58] **Field of Search** D12/415, 423-426.1,
D12/414.1; 296/37.1-37.8, 37.12-37.16;
224/539-543, 926, 400, 42.11, 536, 37.1,
928, 548, 275; D6/436-437, 441, 443-446

[56] **References Cited**

U.S. PATENT DOCUMENTS

D. 324,303	3/1992	Miller	D6/436	X
D. 339,682	9/1993	Phelps	D12/415	X
D. 370,200	5/1996	Garoutte	D12/423	
D. 373,990	9/1996	Loehnis	D12/423	
D. 376,578	12/1996	Redford	D12/424	
D. 379,083	5/1997	Hellhake et al.	D12/424	
D. 379,617	6/1997	Hellhake et al.	D12/424	

D. 379,618	6/1997	Hellhake et al.	D12/425
D. 382,534	8/1997	Green	D12/415
D. 391,223	2/1998	Lucas, Jr.	D12/424
D. 399,483	10/1998	Paredes, Jr.	D12/424
D. 408,349	4/1999	Smith	D12/424
3,946,678	3/1976	Birge, II et al.	108/44
4,375,306	3/1983	Linder	312/250
5,413,260	5/1995	McFarland	224/42.03
5,564,776	10/1996	Schlachter	296/37.6

Primary Examiner—Stacia Cadmus
Attorney, Agent, or Firm—Goldstein & Canino

[57] **CLAIM**

The ornamental design for a vehicle storage unit, as shown and described.

DESCRIPTION

FIG. 1 is a diagrammatic perspective view of a vehicle storage unit;
FIG. 2 is a front elevational view thereof;
FIG. 3 is a rear elevational view thereof;
FIG. 4 is a left side elevational view thereof, the right side elevational view being a mirror image of the left side view;
FIG. 5 is a top plan view of the vehicle storage unit; and,
FIG. 6 is a bottom plan view thereof.

1 Claim, 3 Drawing Sheets

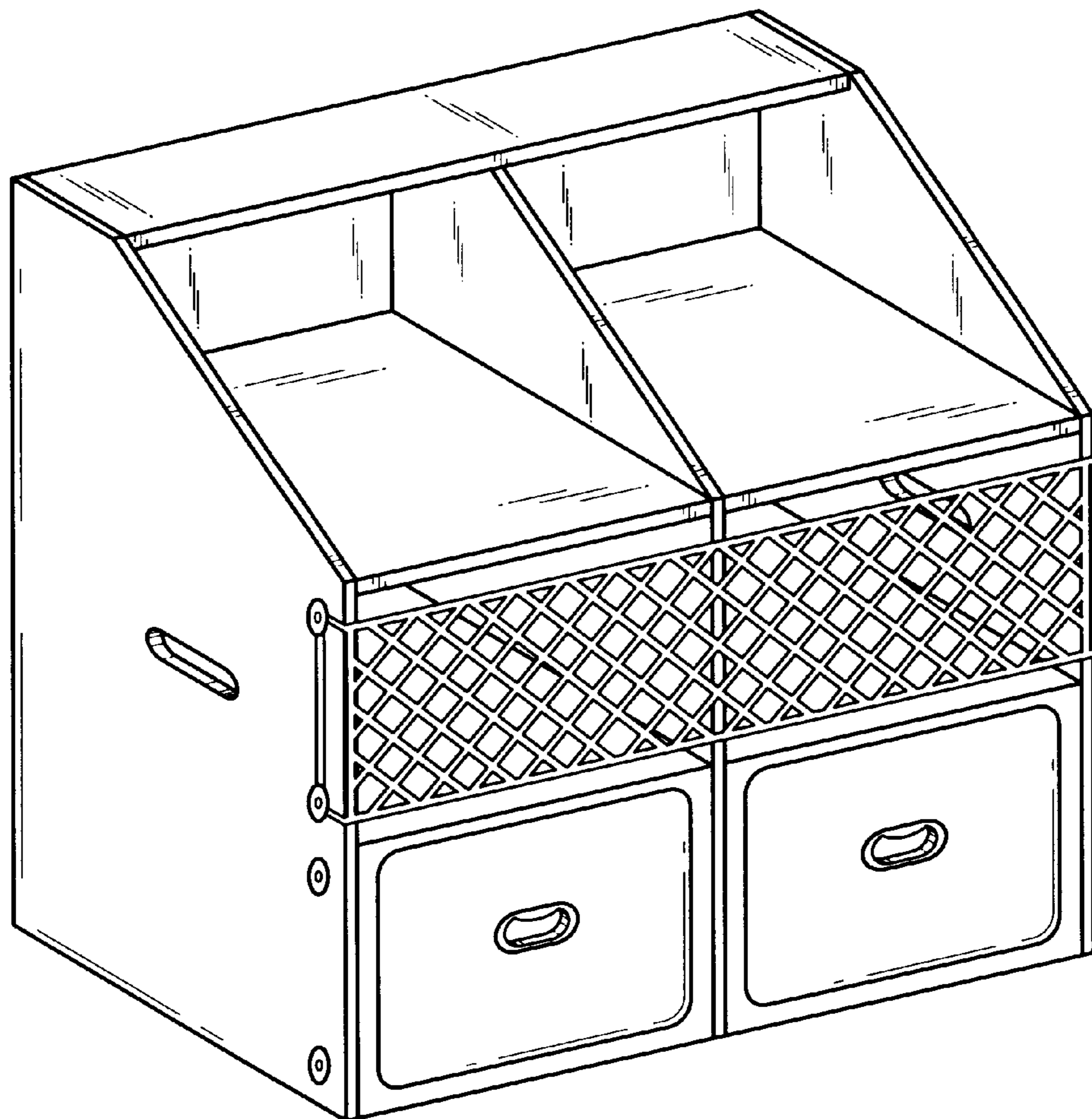


FIG. 2

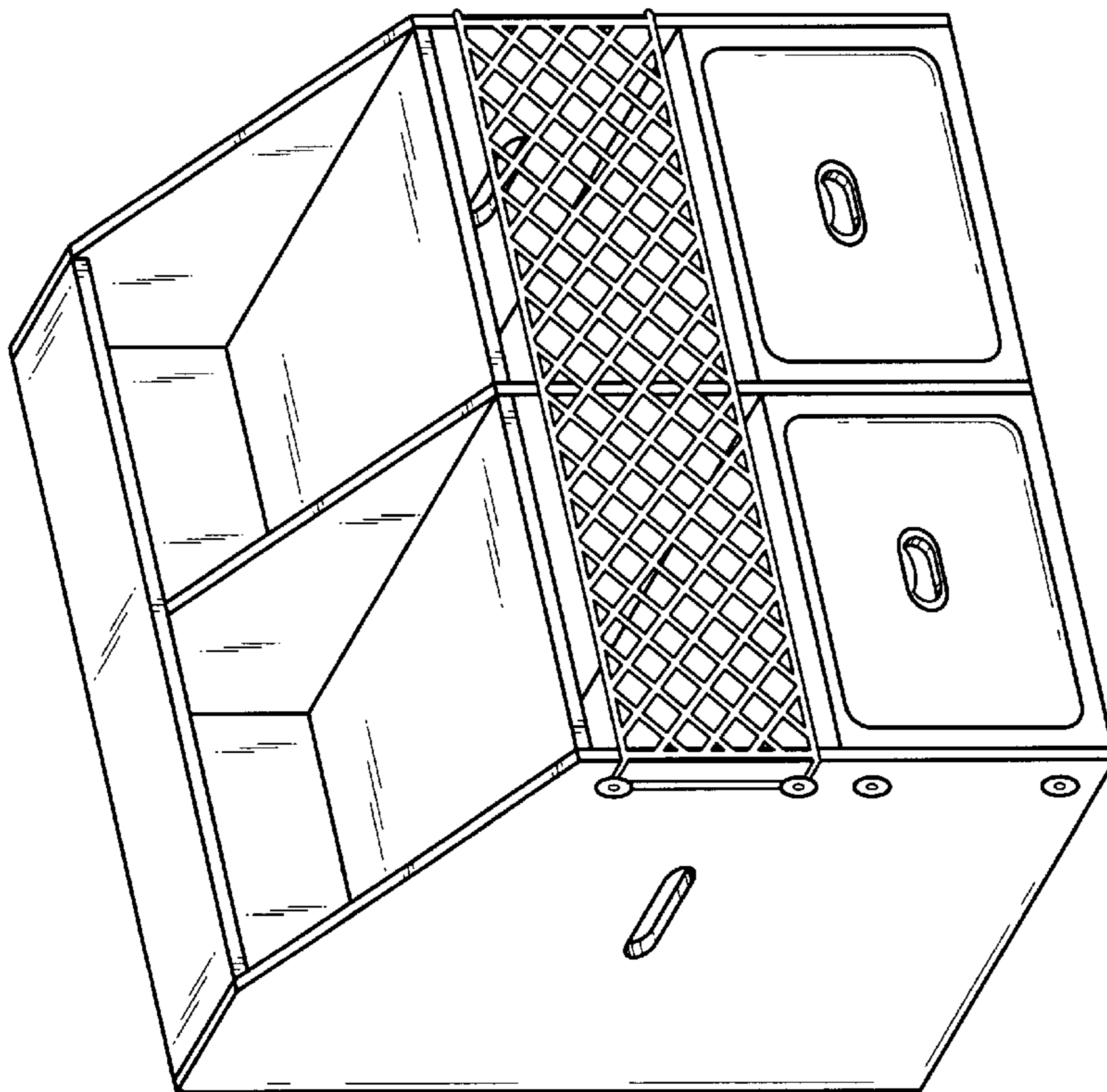
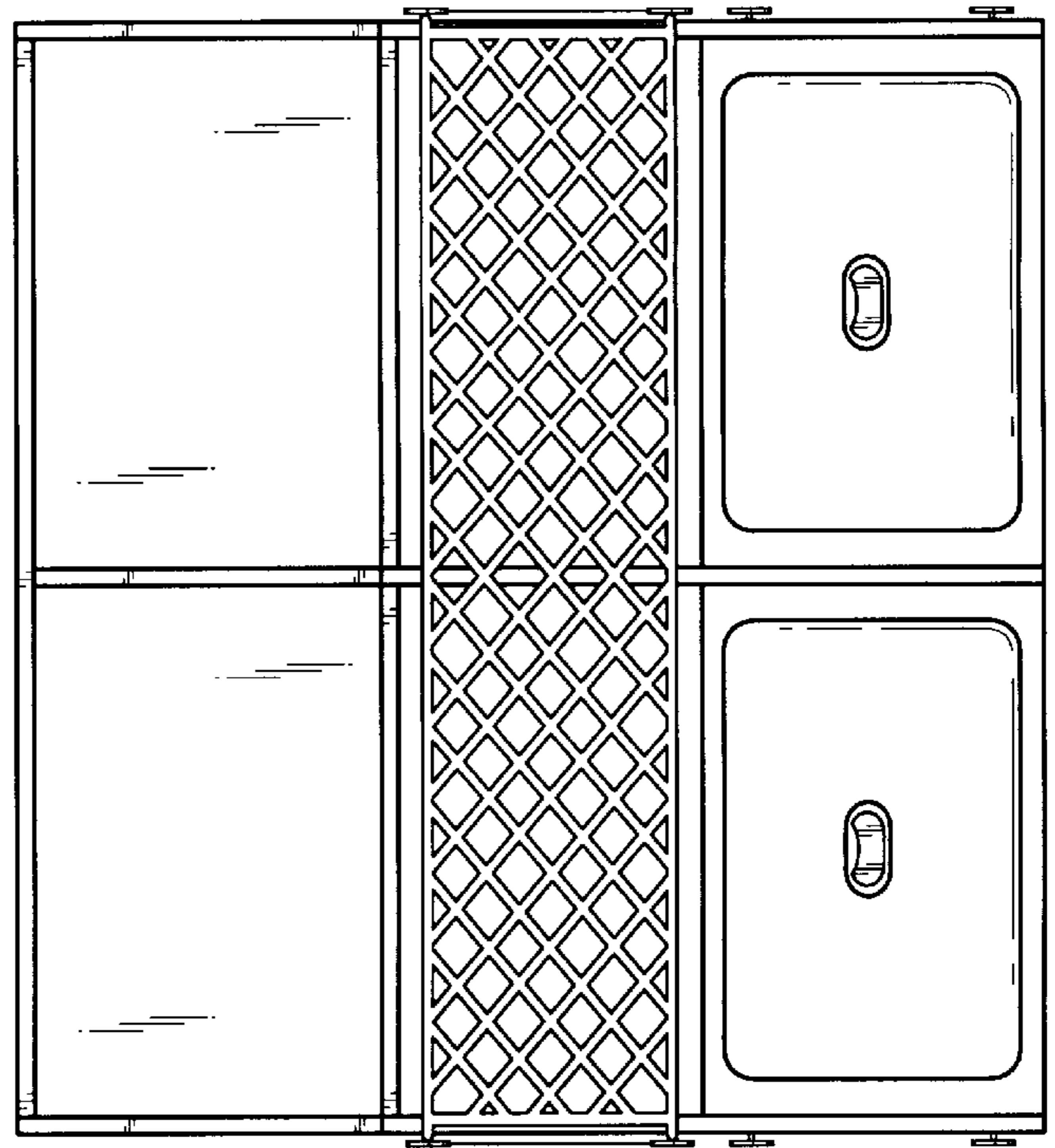


FIG. 1

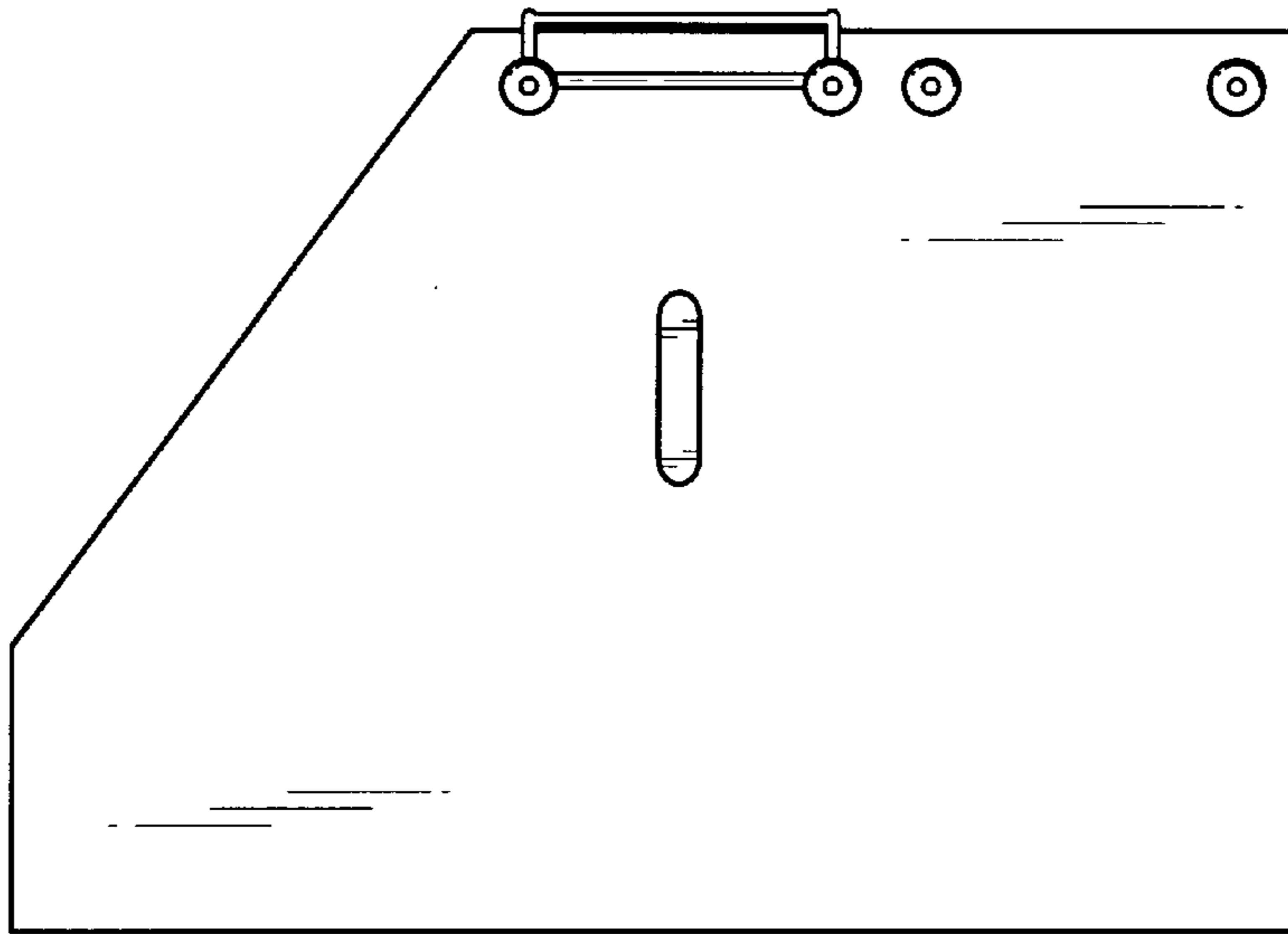


FIG. 4

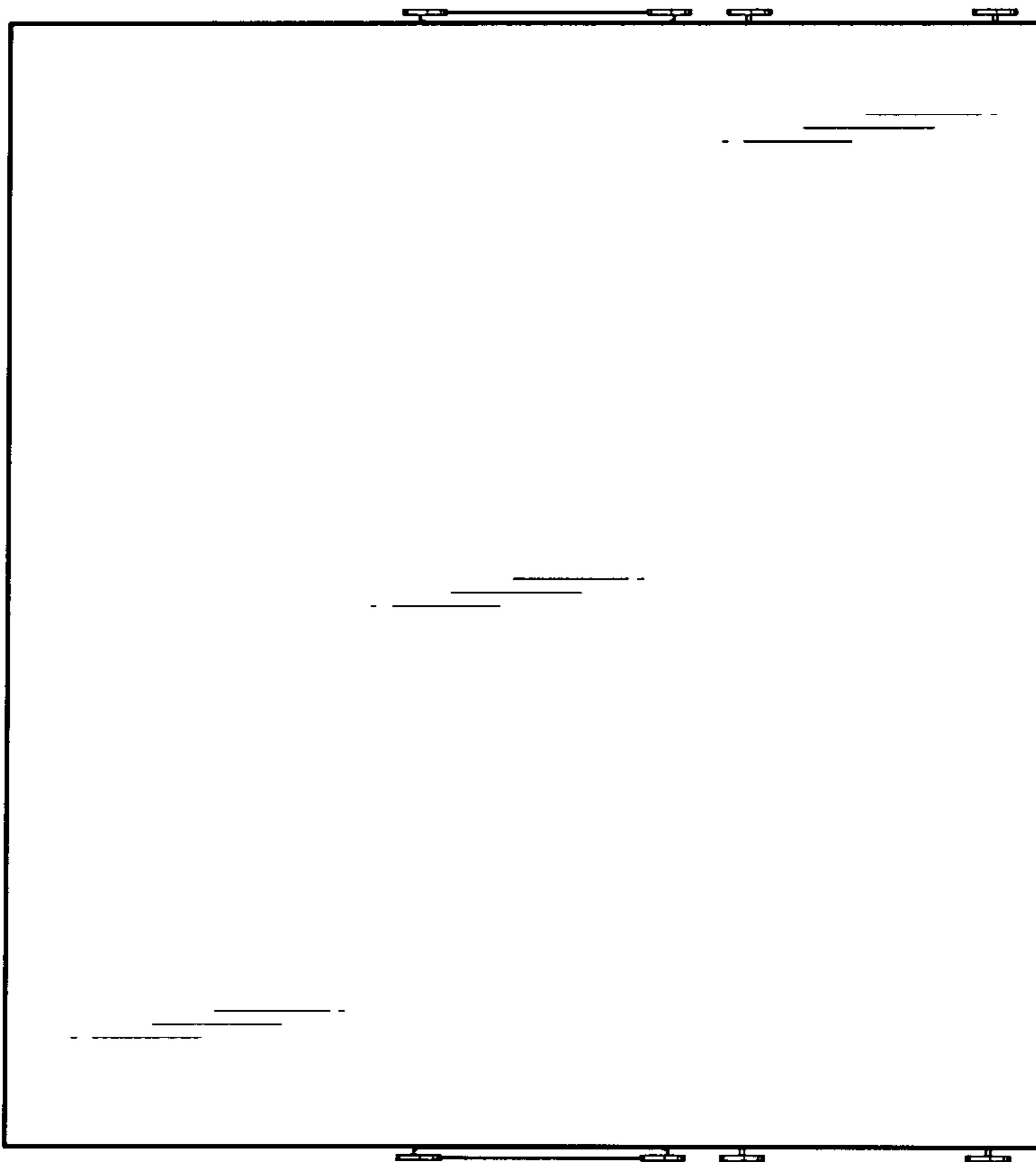


FIG. 3

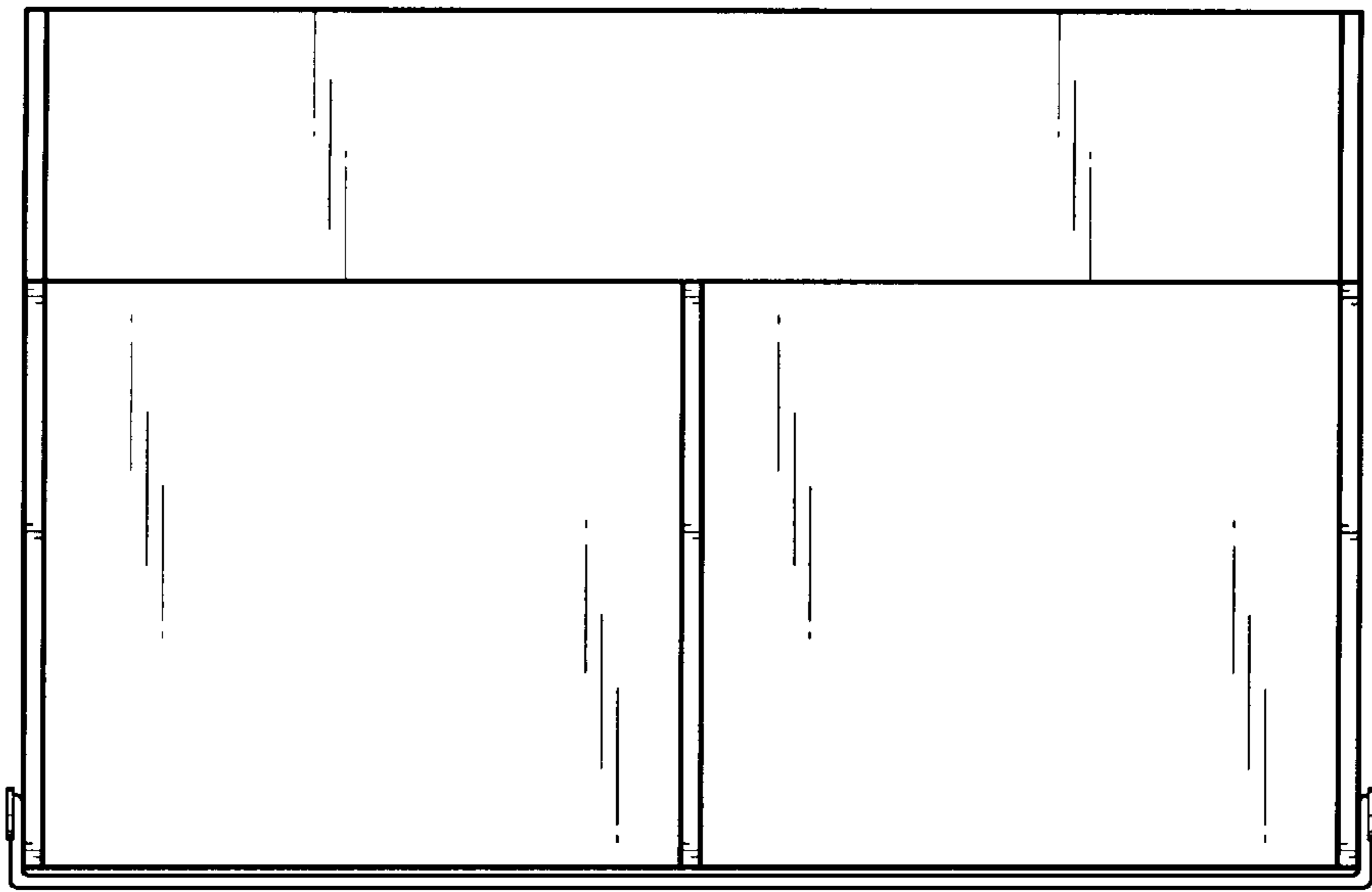


FIG. 5

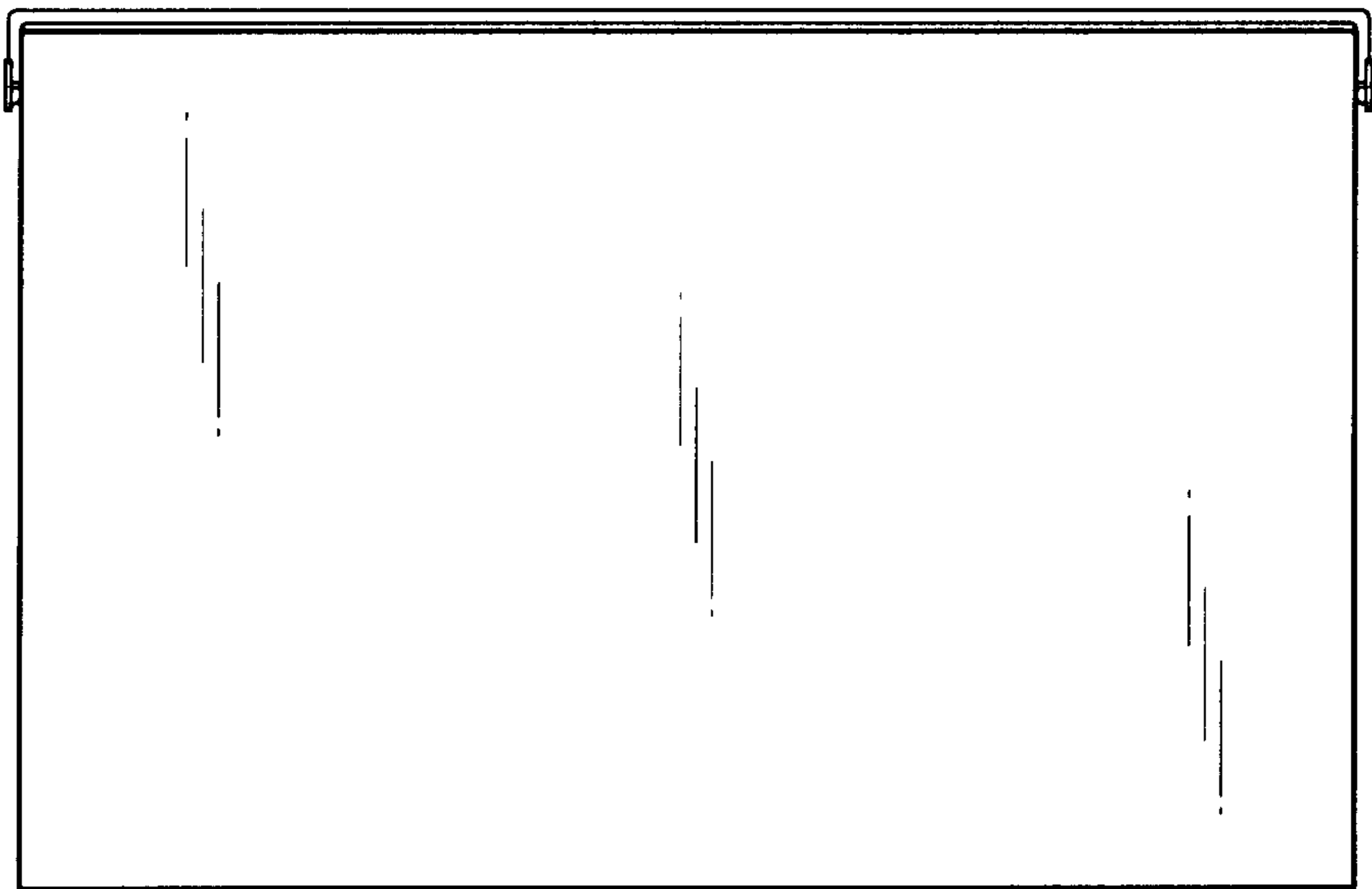


FIG. 6