



US00D426511S

United States Patent [19]
Mehuron

[11] **Patent Number: Des. 426,511**
[45] **Date of Patent: ** Jun. 13, 2000**

[54] **TRUCK SECURITY STORAGE BOX**

[76] Inventor: **James D. Mehuron**, 3748 Ashwood Ave., Los Angeles, Calif. 90066

[**] Term: **14 Years**

[21] Appl. No.: **29/085,780**

[22] Filed: **Mar. 30, 1998**

[51] **LOC (7) Cl.** **12-16**

[52] **U.S. Cl.** **D12/414.1**

[58] **Field of Search** D12/406, 412-415,
D12/423-425; D3/905, 273, 294; D9/341;
296/24.1, 37.1, 37.6; 224/539-541, 400,
403-404; 280/901

[56] **References Cited**

U.S. PATENT DOCUMENTS

D. 238,771	2/1976	Spokus	D12/423
D. 275,275	8/1984	Stapp	D12/414.1
D. 294,816	3/1988	Hoyt	D12/414.1
D. 300,019	2/1989	Dickinson	D12/414.1
D. 305,315	1/1990	Fletcher	D12/414.1
D. 317,865	7/1991	Waters	D9/341
D. 320,372	10/1991	Alberts	D12/414.1
D. 369,342	4/1996	Williams	D12/423
D. 372,454	8/1996	Murray	D12/423
D. 373,989	9/1996	Dickinson	D12/423

D. 403,654 1/1999 Houry D12/414.1

Primary Examiner—Stacia Cadmus
Attorney, Agent, or Firm—G. Donald Weber, Jr.

[57] **CLAIM**

The ornamental design for a truck security storage box, as shown and described.

DESCRIPTION

FIG. 1 is a perspective view of the truck security storage box of the instant invention with the lid open;
 FIG. 2 is an enlarged top view of the truck security storage box of the instant invention with the lid shown in closed position;
 FIG. 3 is a bottom view of the truck security storage box of FIG. 2;
 FIG. 4 is a perspective view of the truck security storage box of the instant invention with the lid closed;
 FIG. 5 is one end view of the truck security storage box of FIG. 4. The opposite end view is the mirror image;
 FIG. 6 is an enlarged front elevation view of the truck security storage box of FIG. 4; and,
 FIG. 7 is an enlarged rear elevation view of the truck security storage box of FIG. 4.

The portions of the interior of the storage box which are not visible in FIG. 1 form no part of the claimed design.

1 Claim, 2 Drawing Sheets

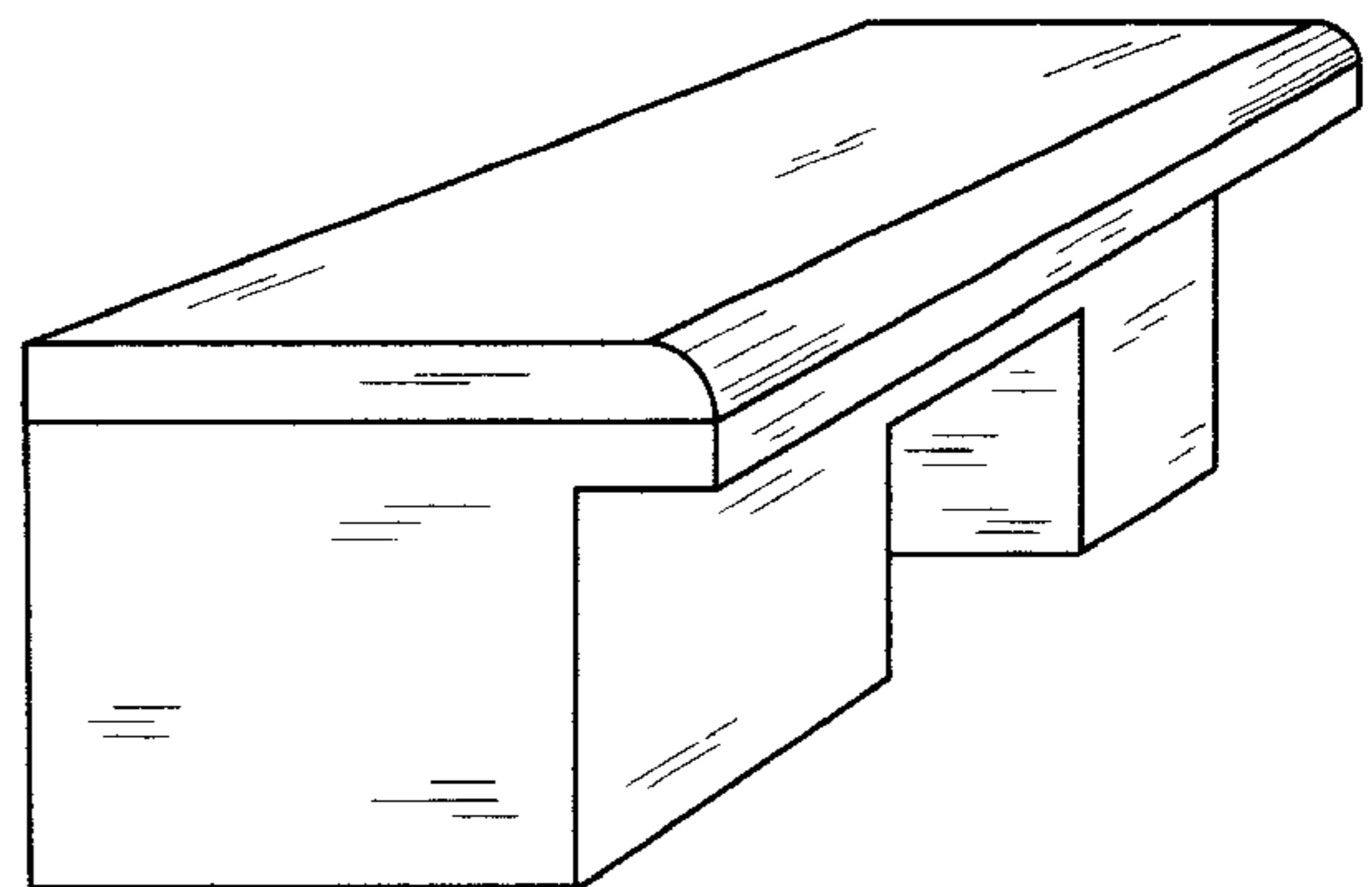
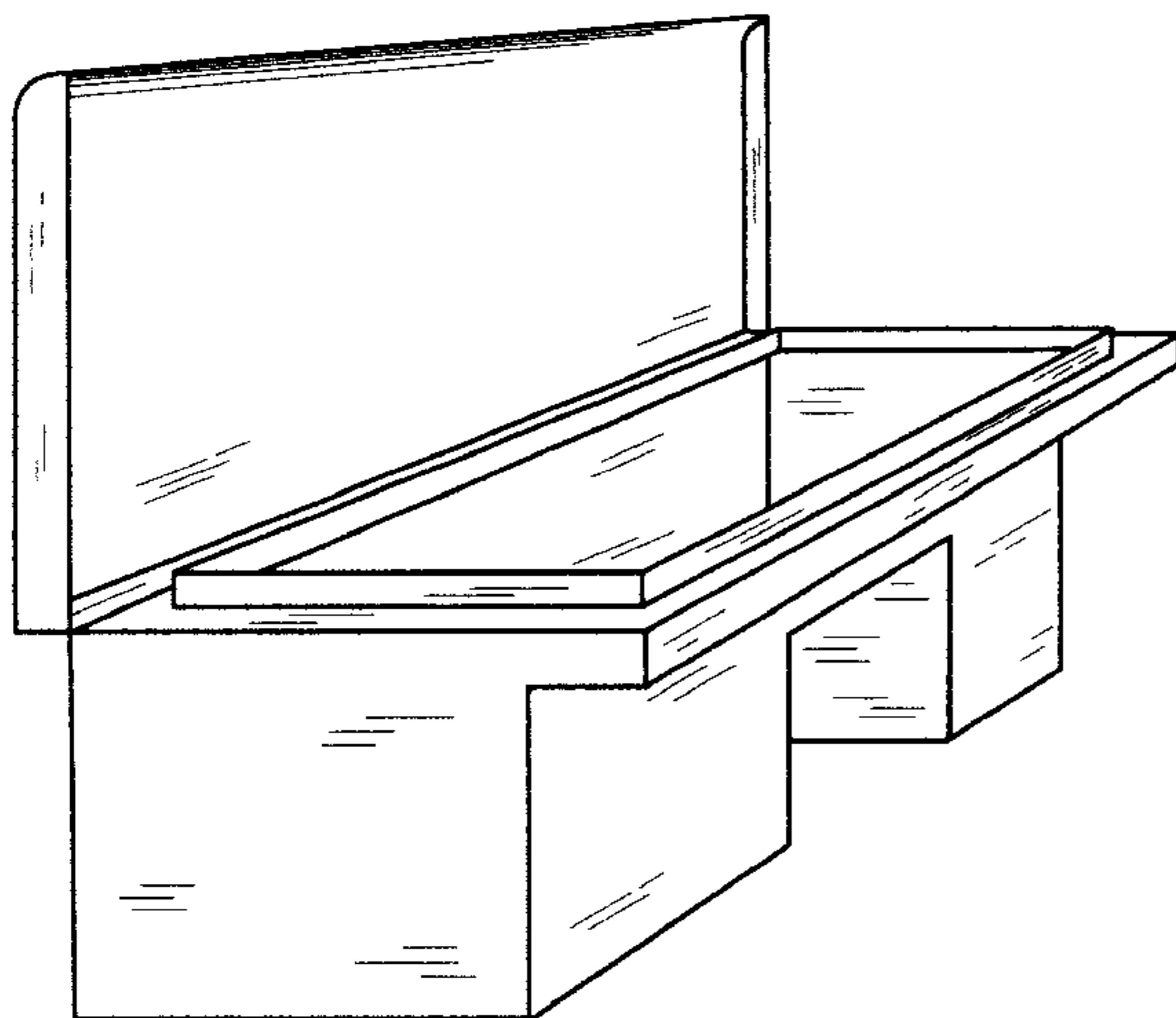


Fig. 1

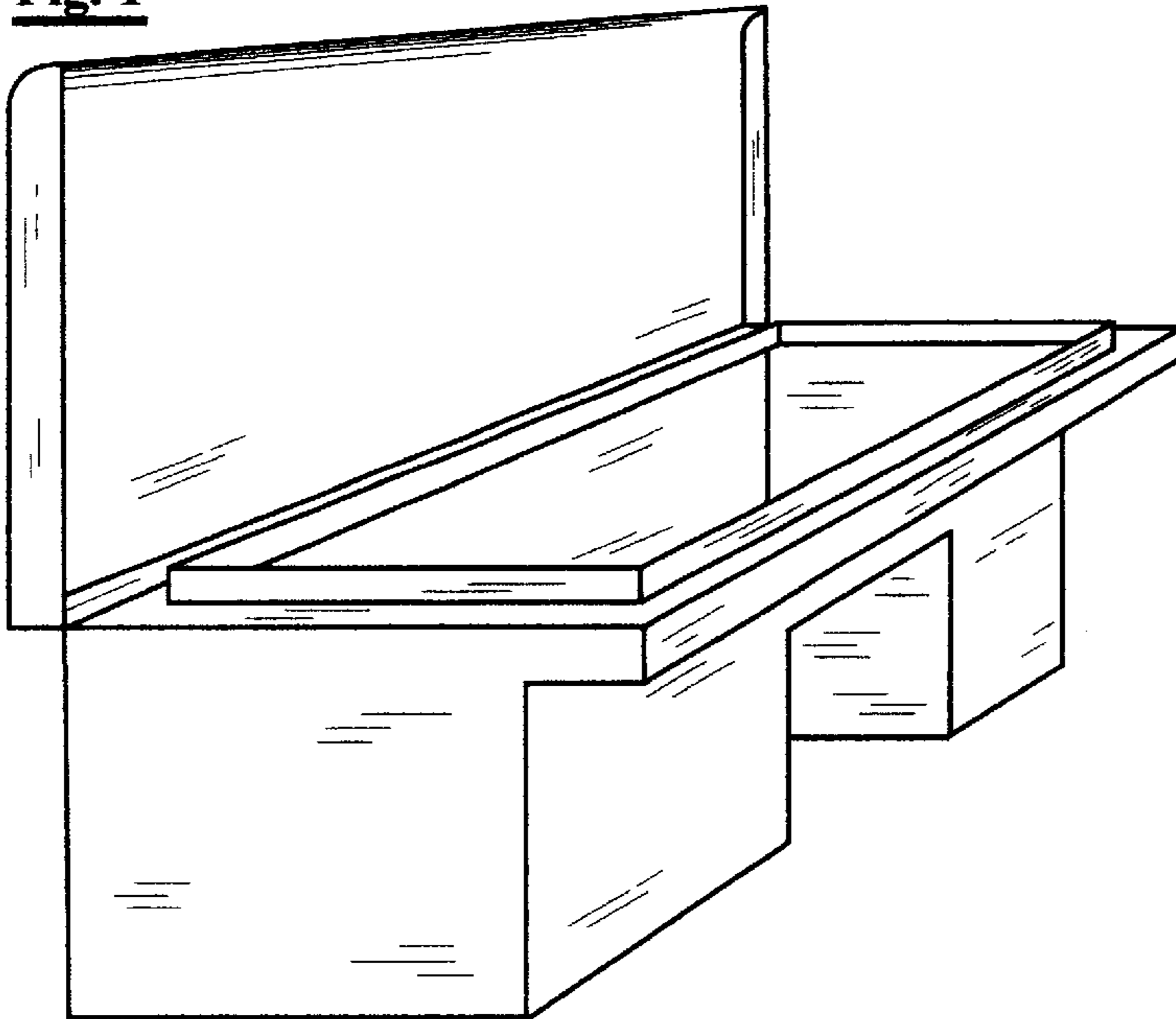


Fig. 2

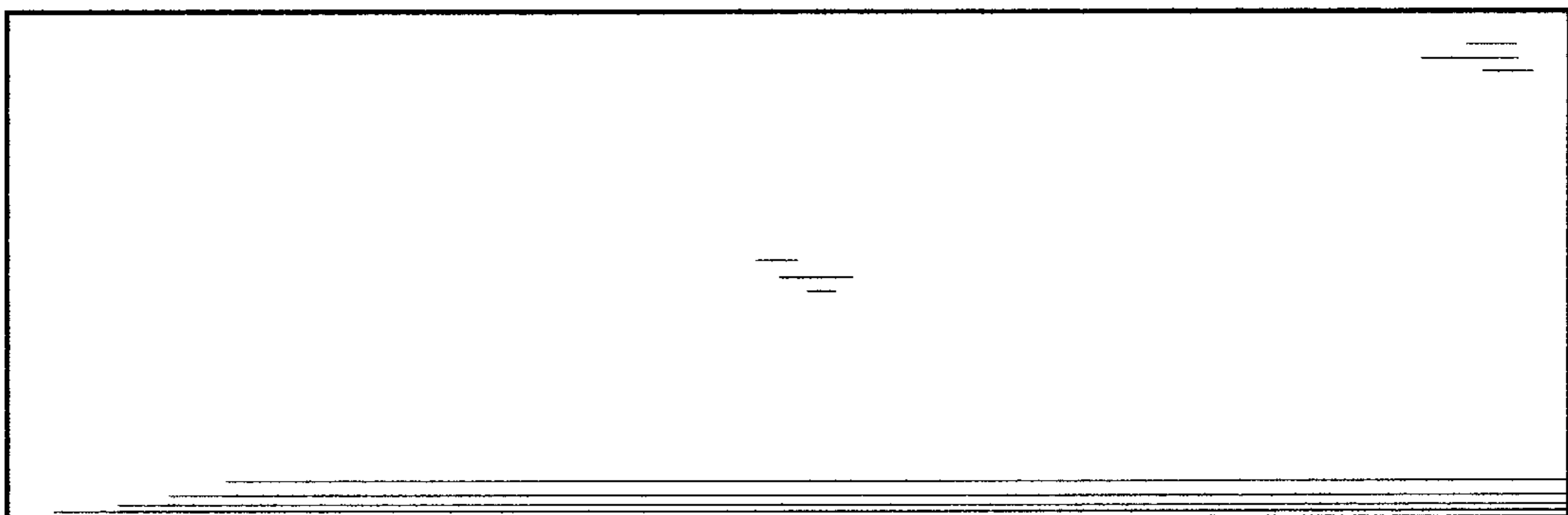


Fig. 3

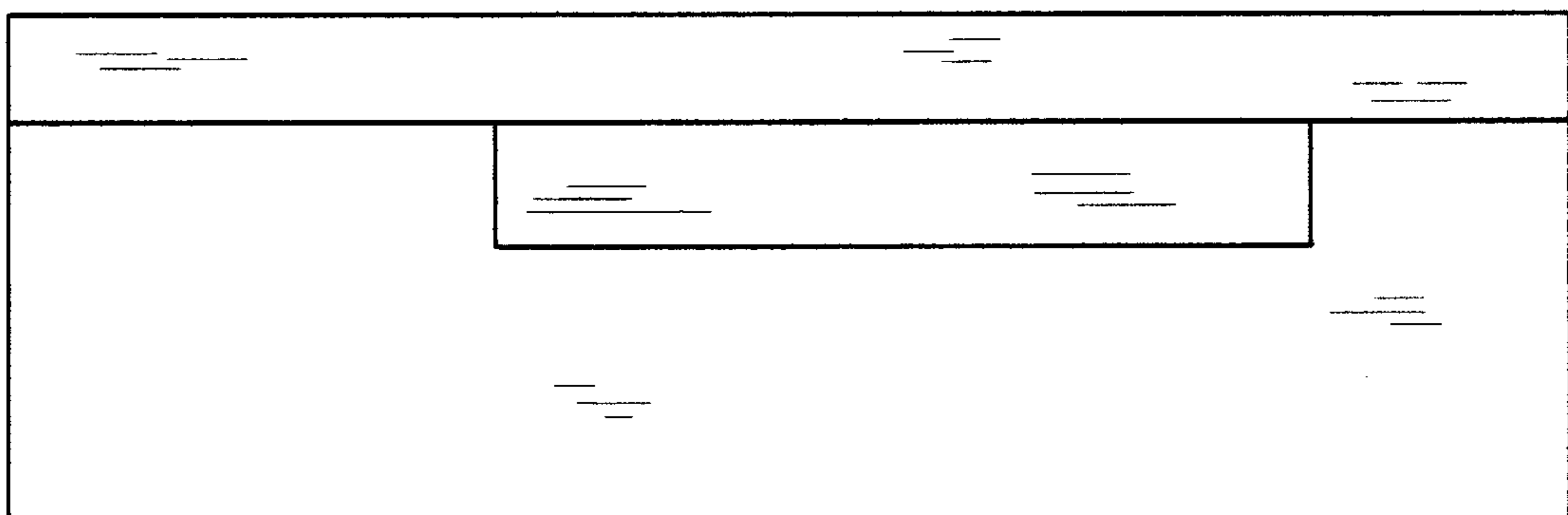


Fig. 4

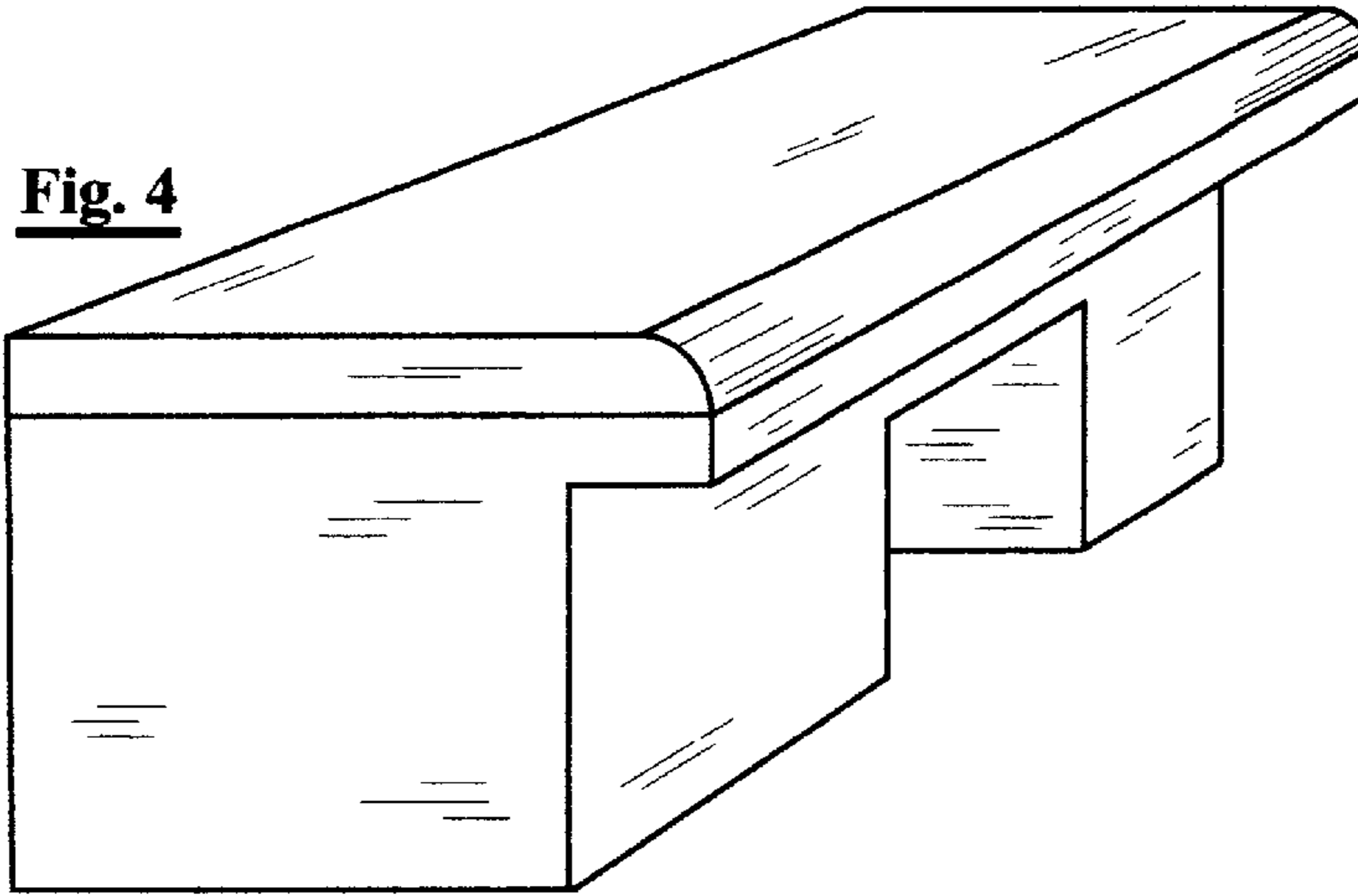


Fig. 5

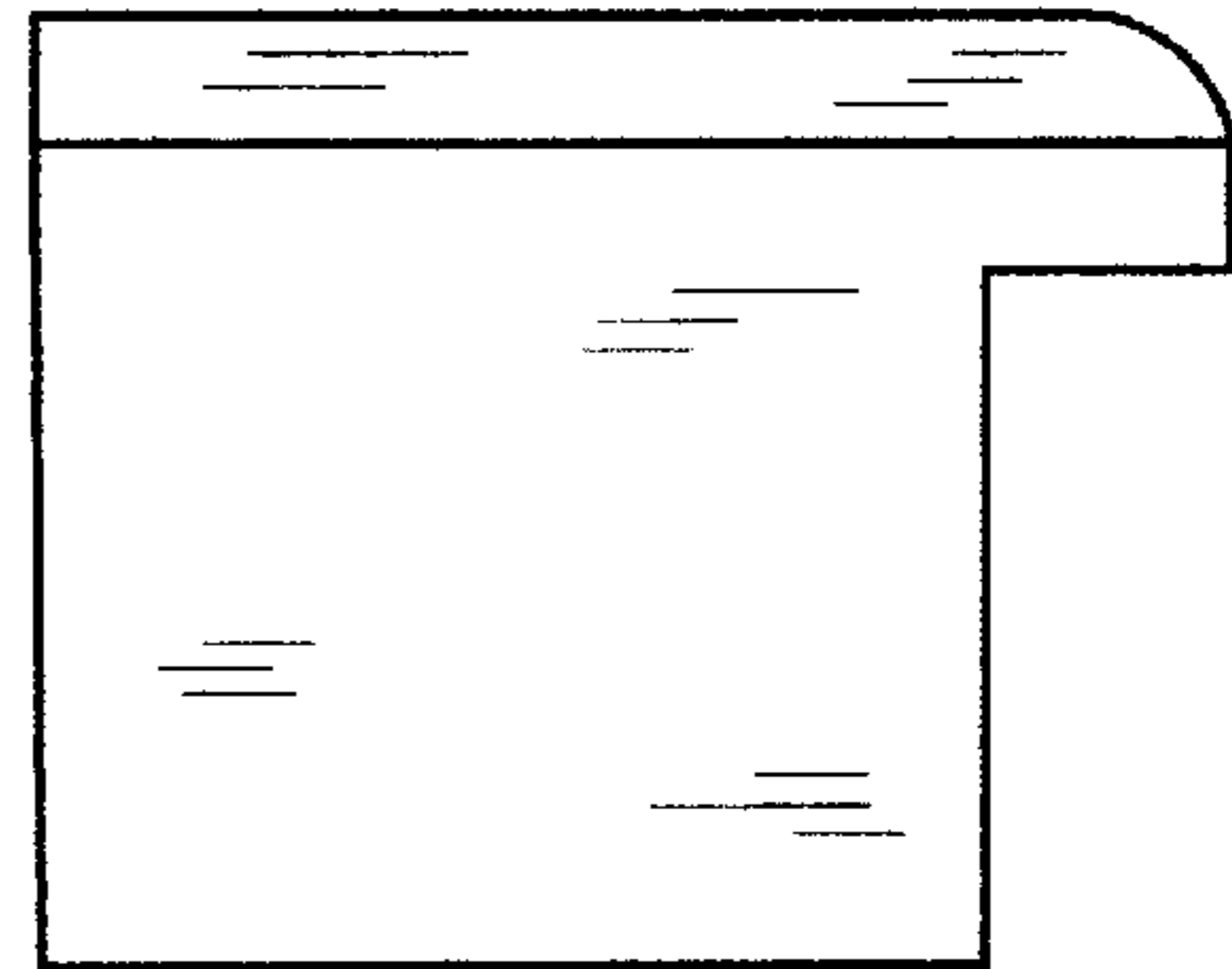


Fig. 6

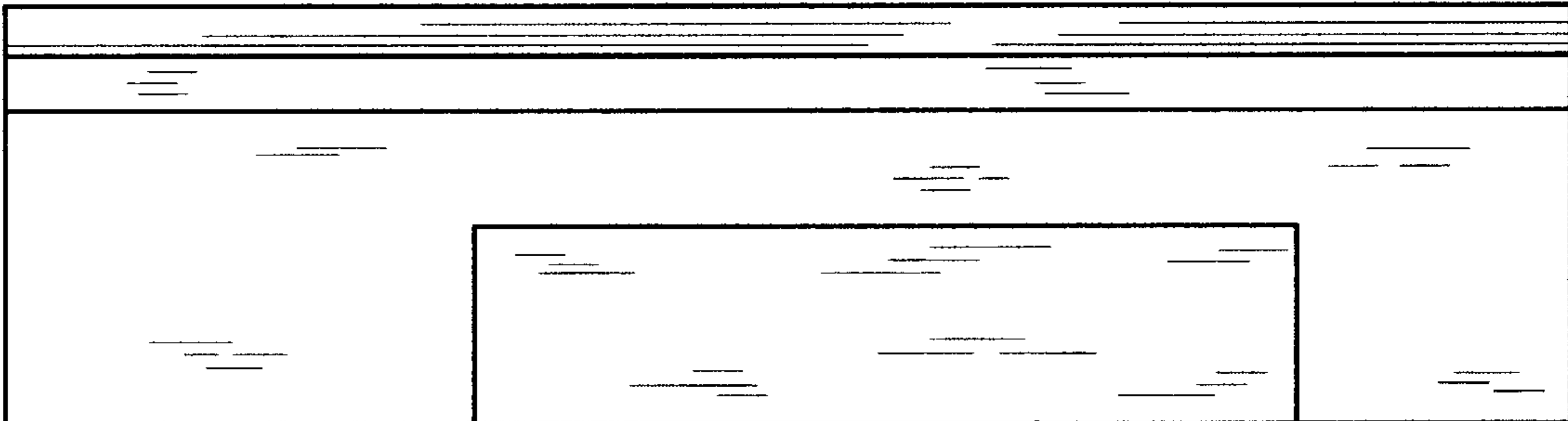


Fig. 7

