



US00D426508S

United States Patent [19]
Hayashi

[11] **Patent Number: Des. 426,508**

[45] **Date of Patent: ** Jun. 13, 2000**

[54] **FRONT PORTION OF A MOTOR VEHICLE**

[75] Inventor: **Kouichi Hayashi**, Hiroshima, Japan

[73] Assignee: **Mazda Motor Corporation**,
Hiroshima-ken, Japan

[**] Term: **14 Years**

[21] Appl. No.: **29/097,182**

[22] Filed: **Nov. 30, 1998**

[51] **LOC (7) Cl.** **12-16**

[52] **U.S. Cl.** **D12/196**

[58] **Field of Search** D12/196, 90-92;
296/185

[56] **References Cited**

U.S. PATENT DOCUMENTS

- D. 403,989 1/1999 Honda et al. D12/91
- D. 408,795 5/1999 Naguru et al. D12/91

FOREIGN PATENT DOCUMENTS

666149 8/1985 Japan .

Primary Examiner—Melody N Brown

Attorney, Agent, or Firm—Sidley & Austin; Hugh A. Abrams

[57] **CLAIM**

The ornamental design for a front portion of a motor vehicle, as shown and described.

DESCRIPTION

FIG. 1 is a perspective view of a front portion of a motor vehicle showing a first embodiment of my new design;

FIG. 2 is a front view thereof;

FIG. 3 is a rear view thereof;

FIG. 4 is a right side view thereof;

FIG. 5 is a left side view thereof;

FIG. 6 is a top view thereof;

FIG. 7 is a perspective view of a front portion showing a second embodiment of my new design;

FIG. 8 is a front view thereof;

FIG. 9 is a rear view thereof;

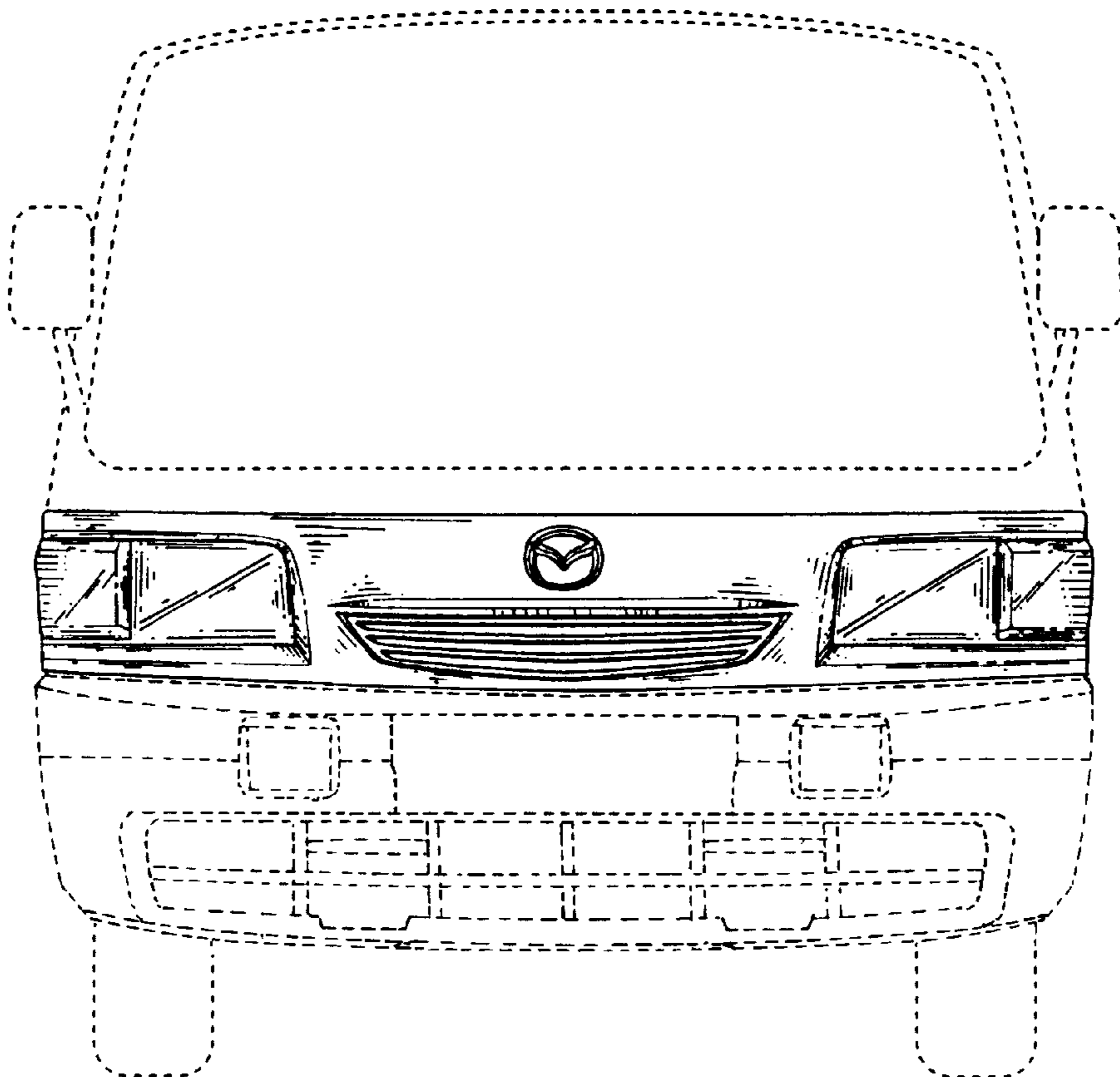
FIG. 10 is a right side view thereof;

FIG. 11 is a left side view and,

FIG. 12 is a top view thereof.

The portion of the motor vehicle shown in broken lines is for illustrative purpose only and forms no part of the claimed design.

1 Claim, 10 Drawing Sheets



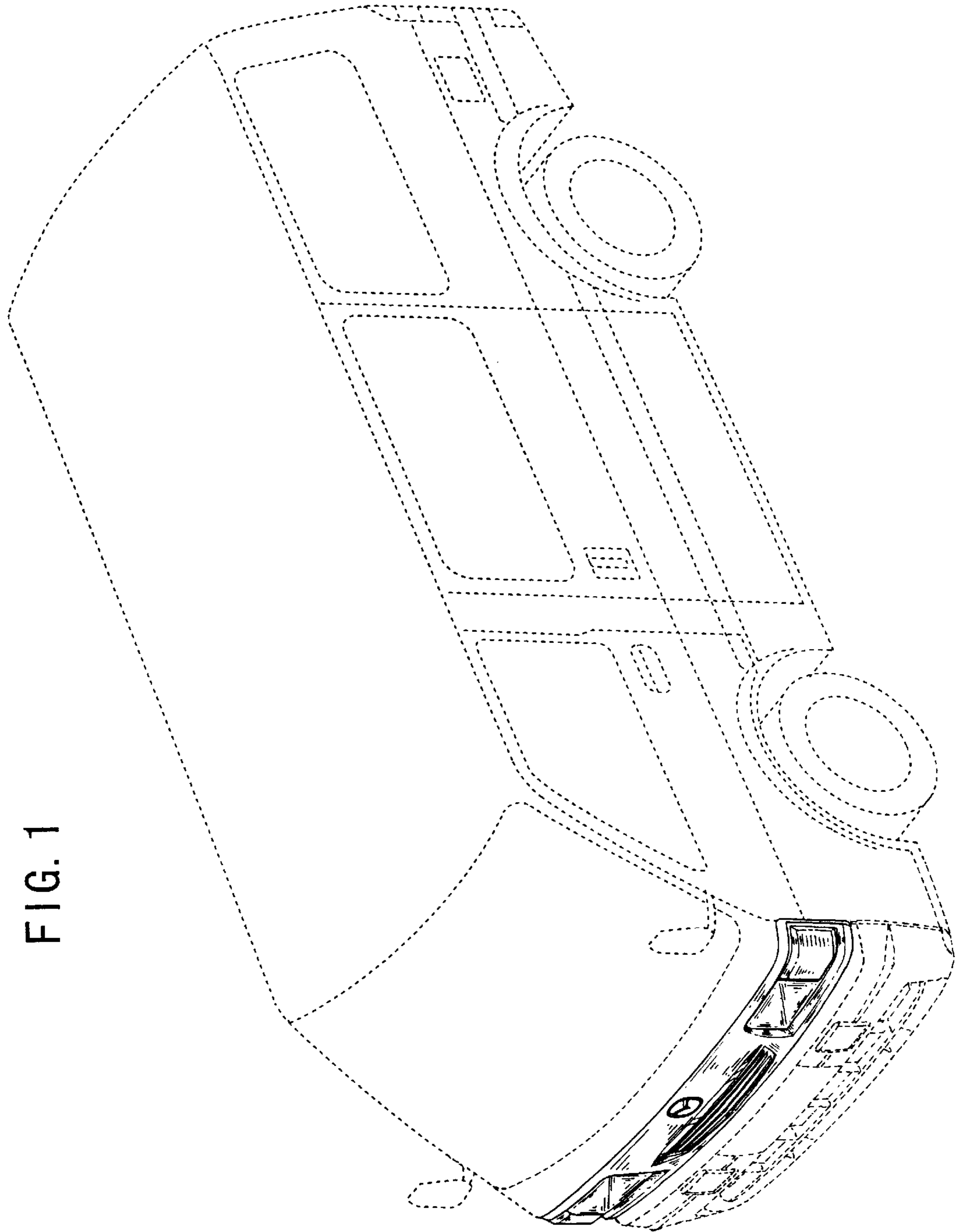


FIG. 1

FIG. 2

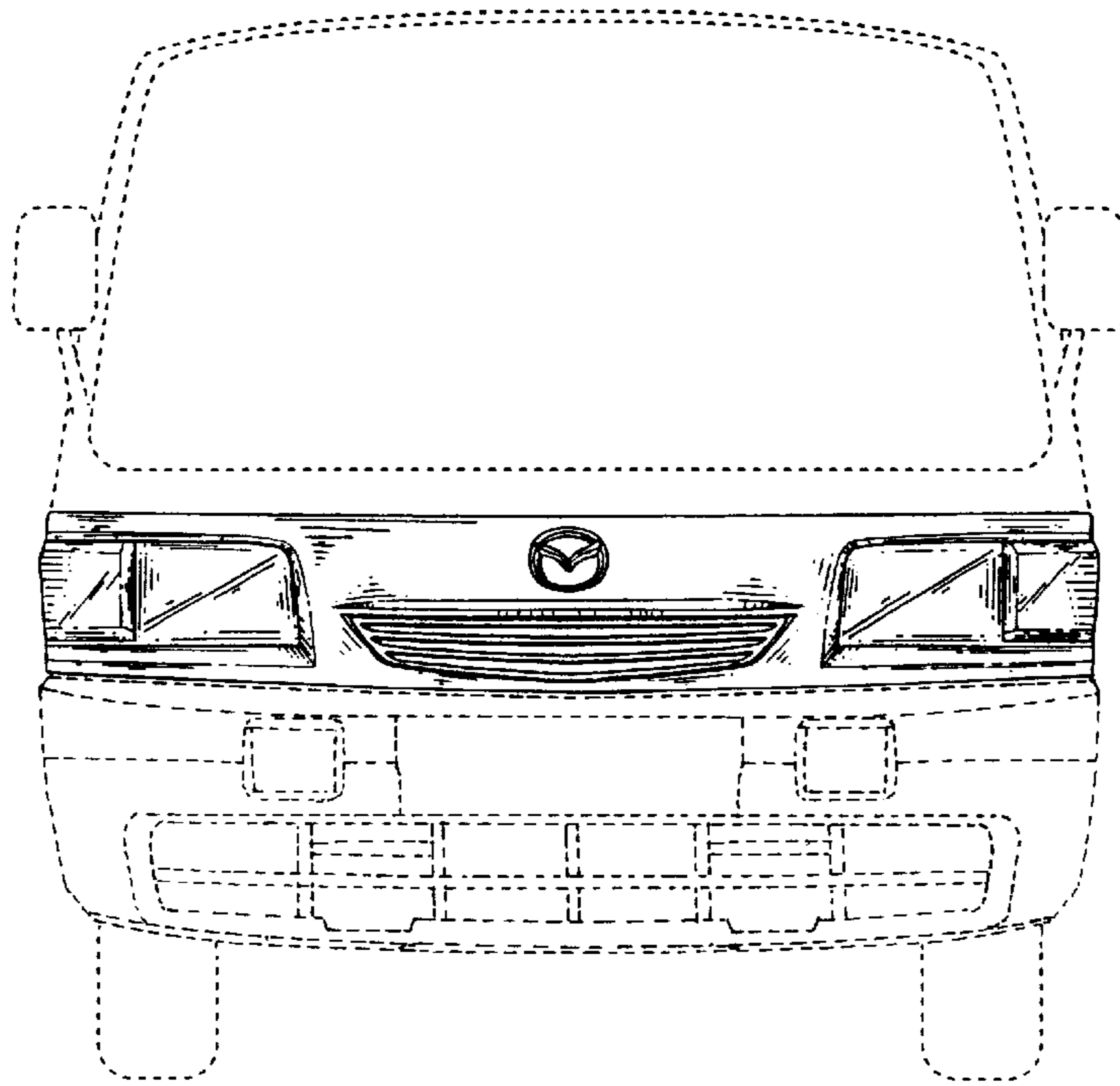


FIG. 3

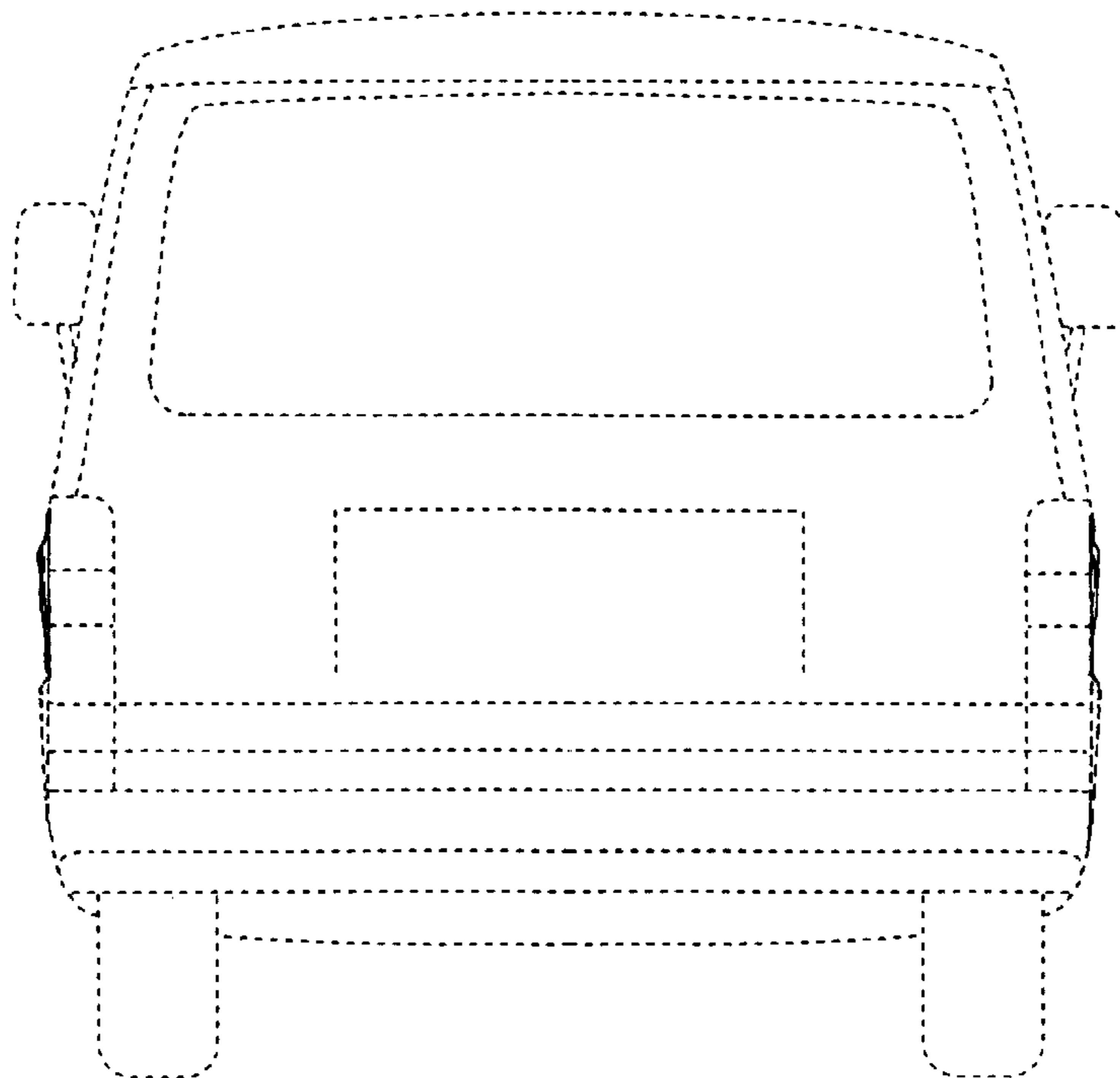


FIG. 4

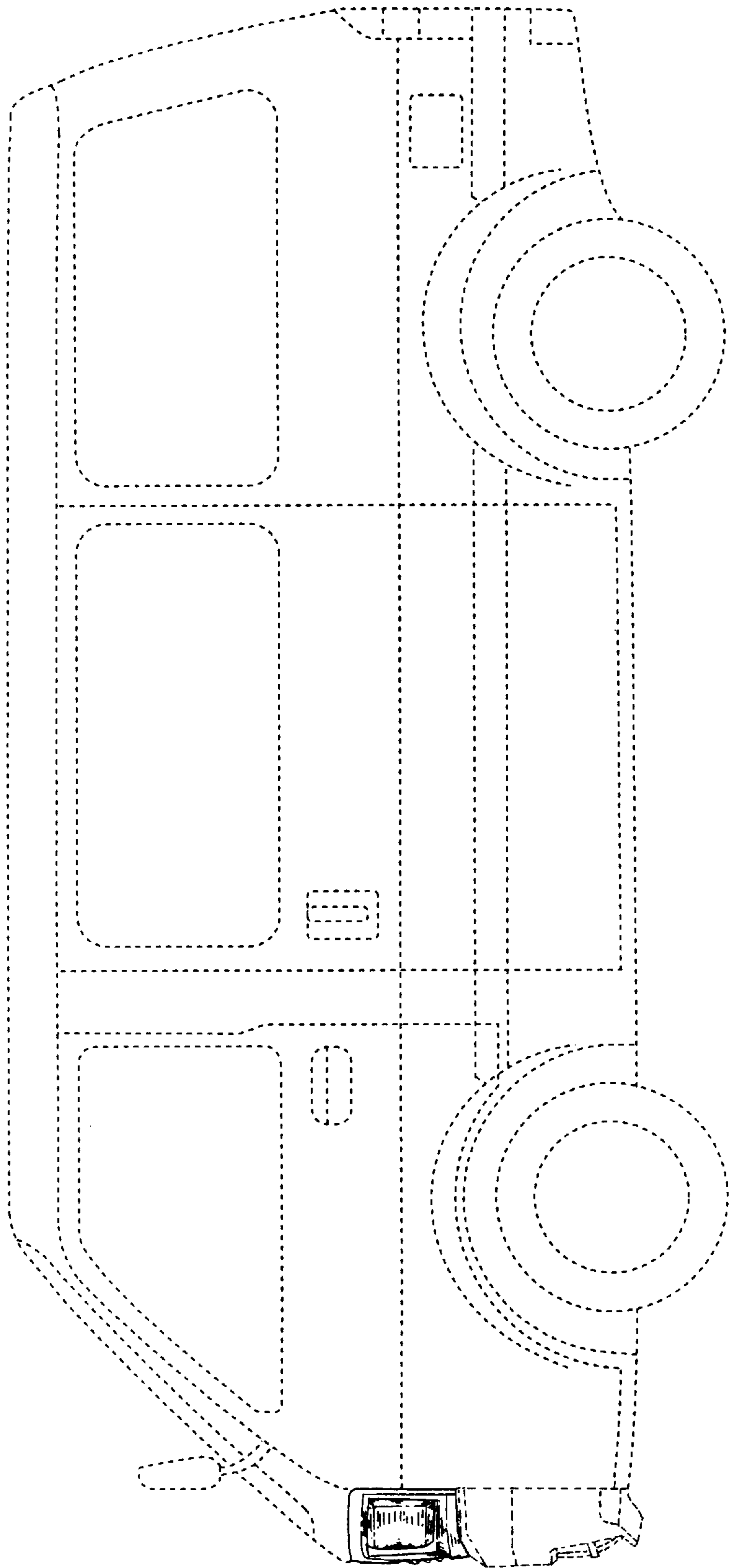


FIG. 5

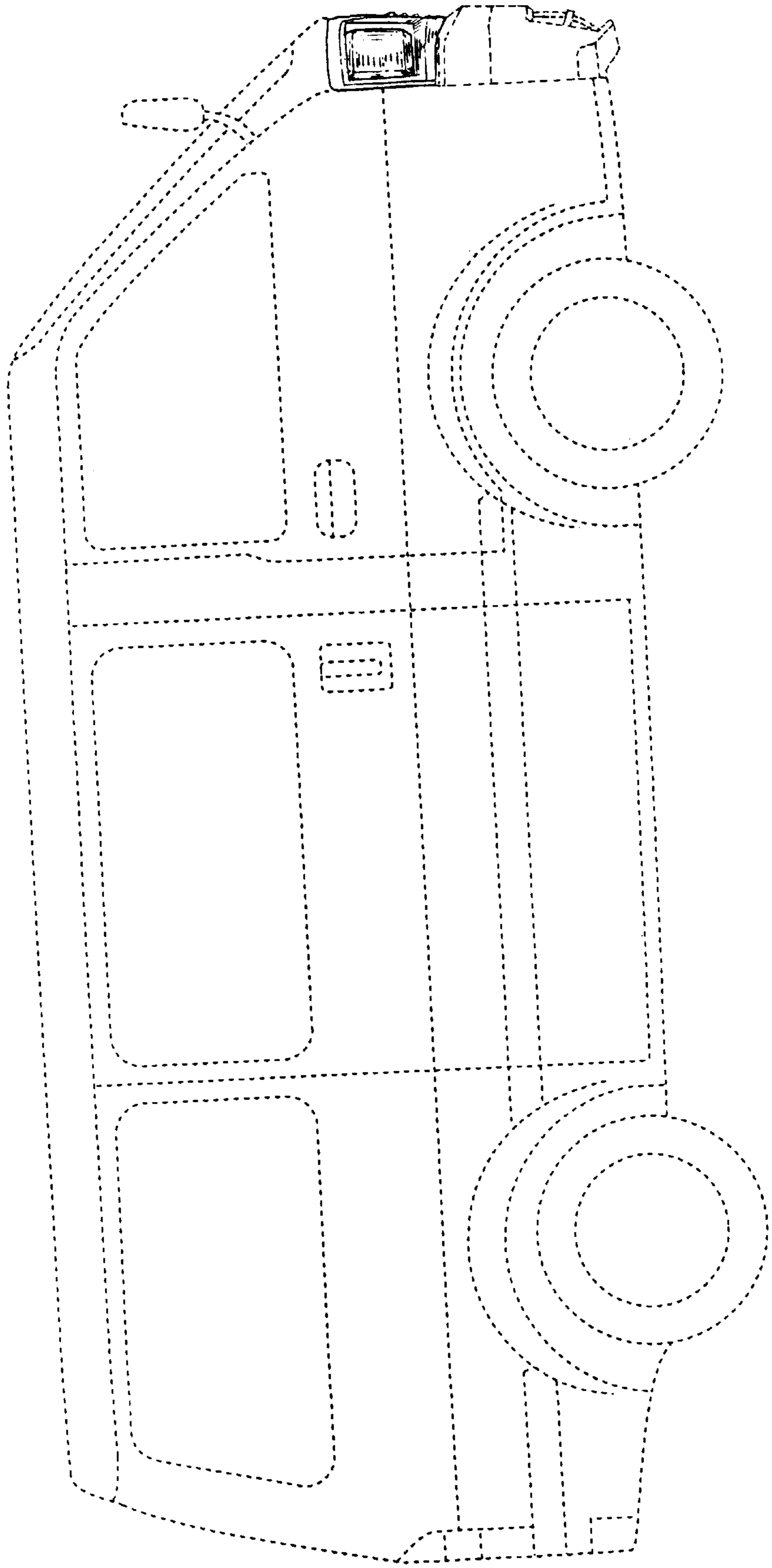
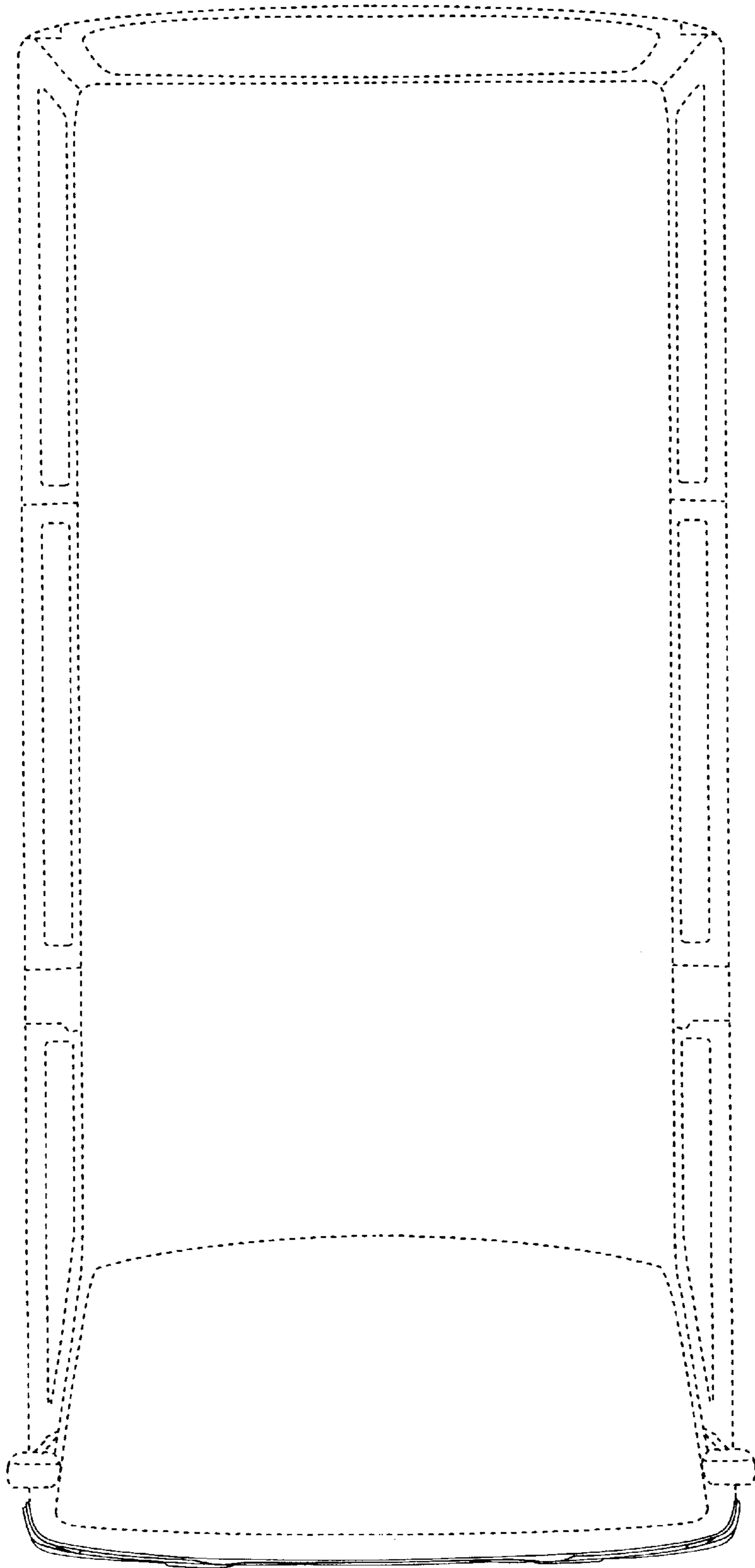


FIG. 6



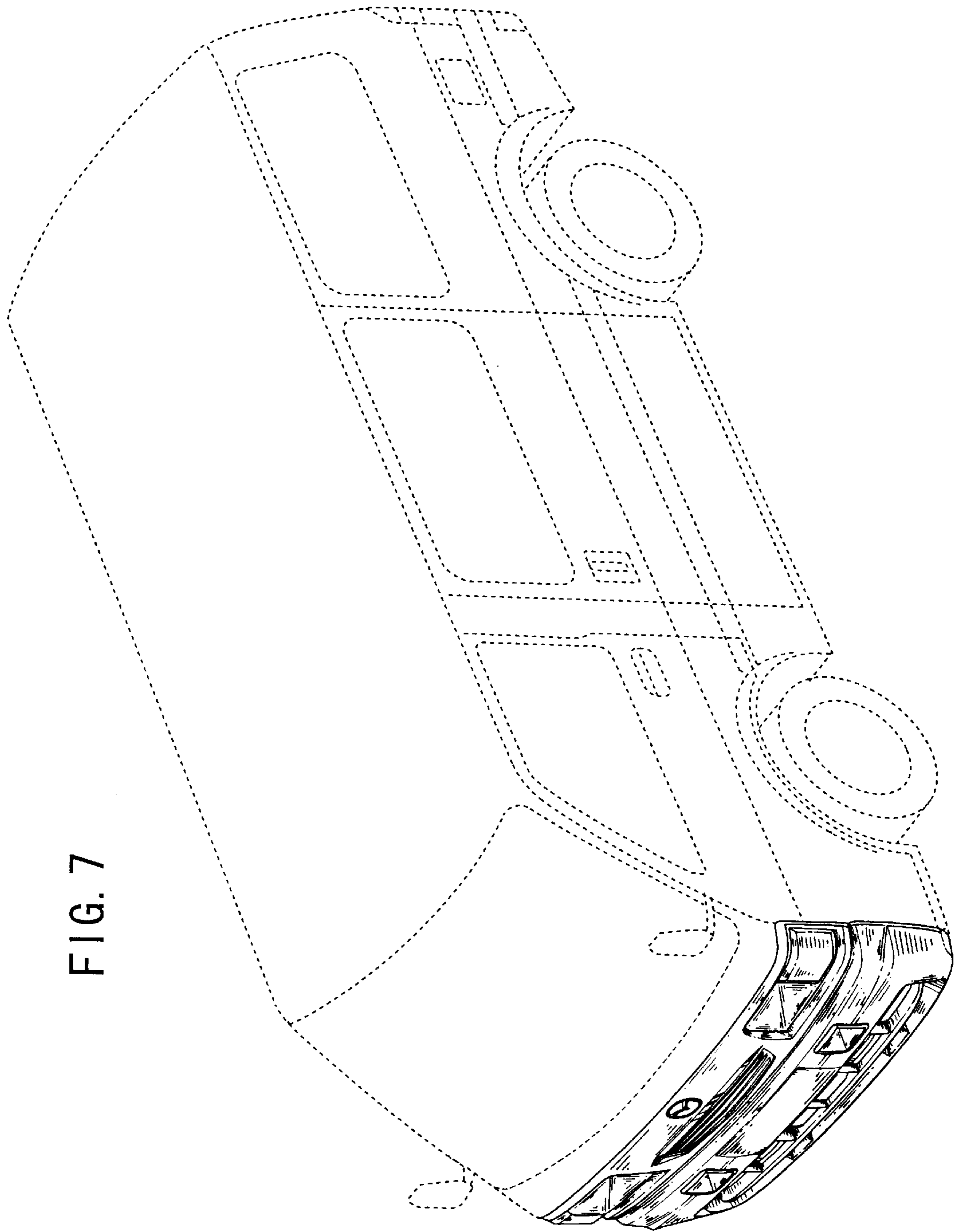


FIG. 7

FIG. 8

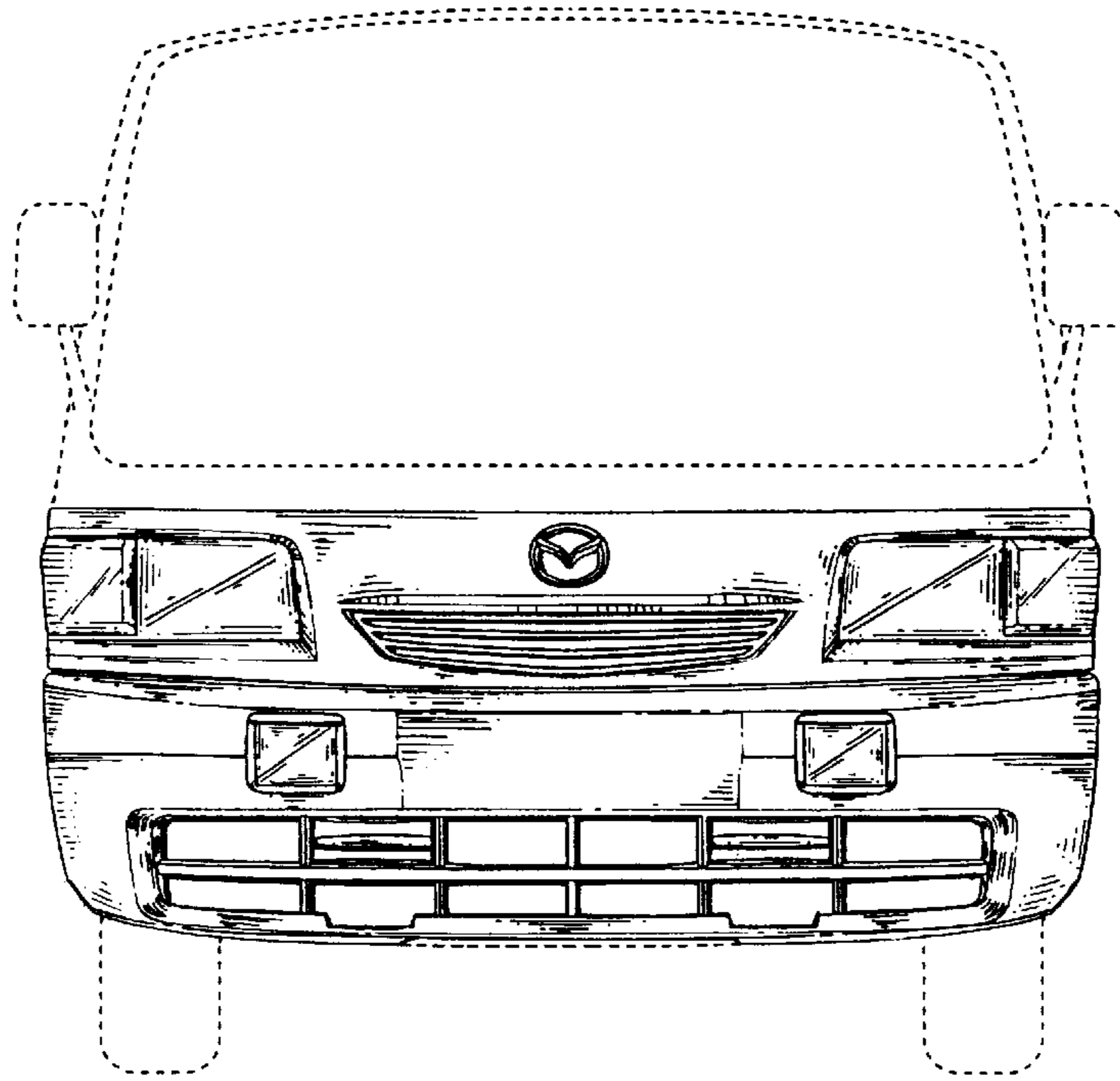


FIG. 9

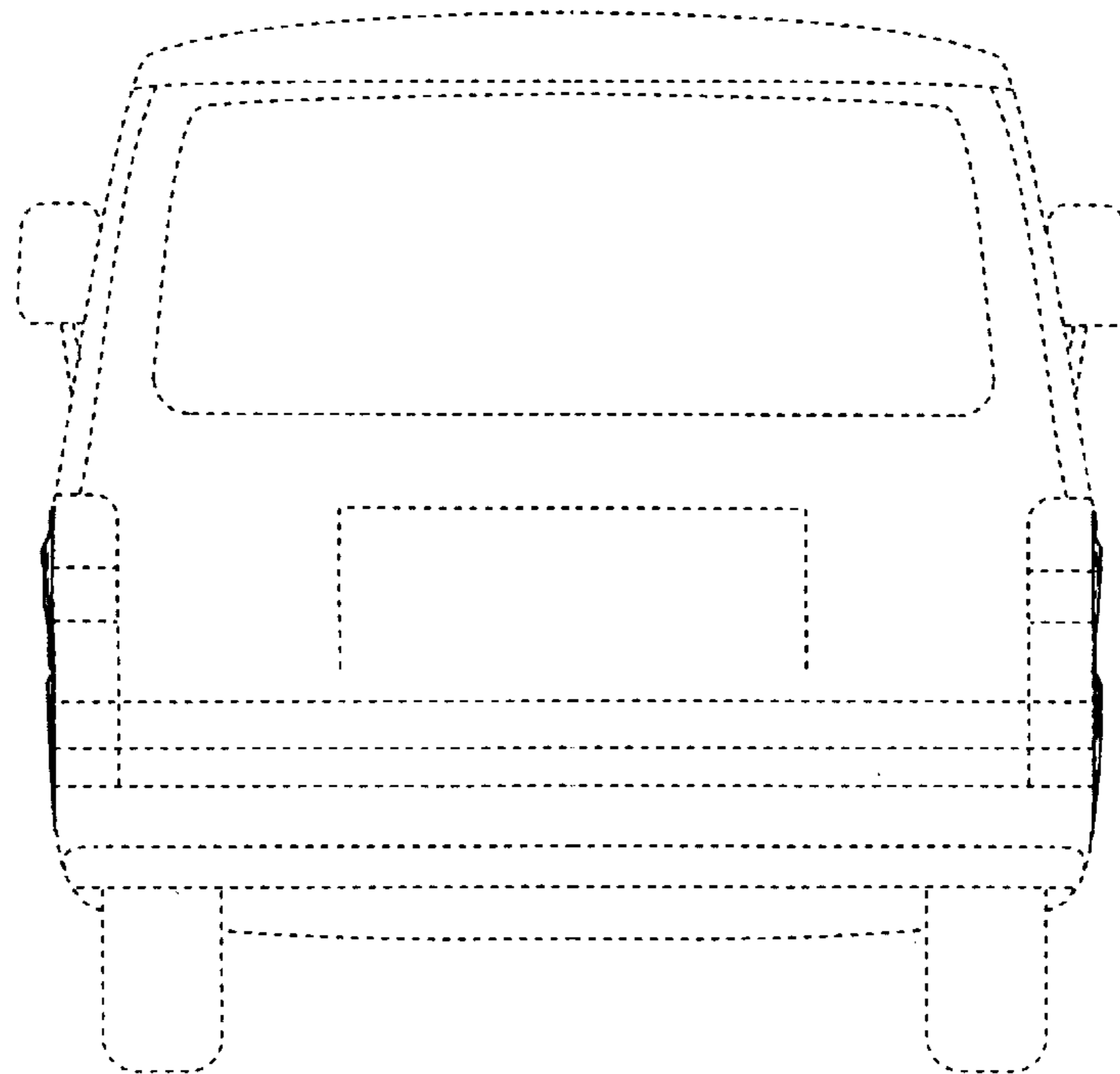


FIG. 10

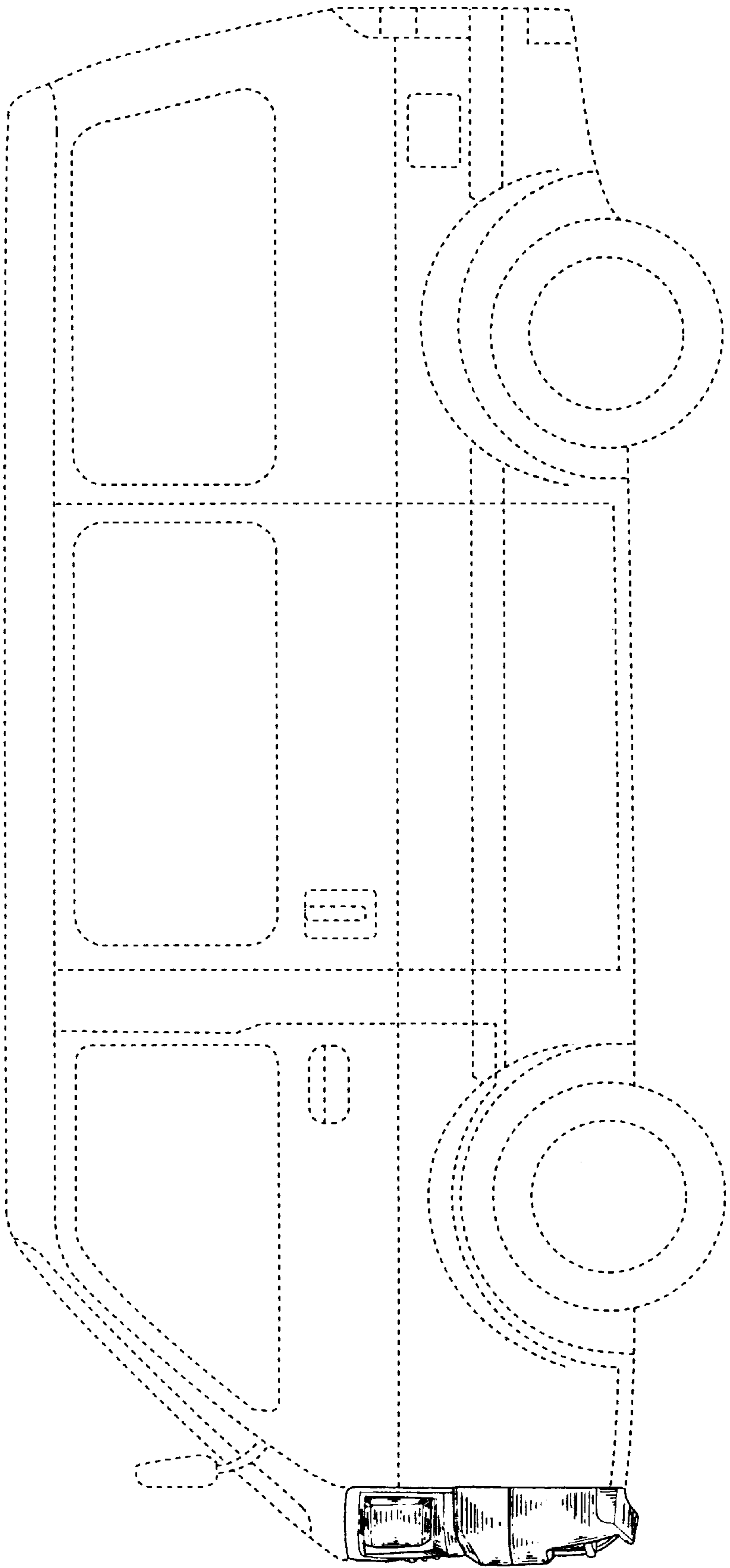


FIG. 11

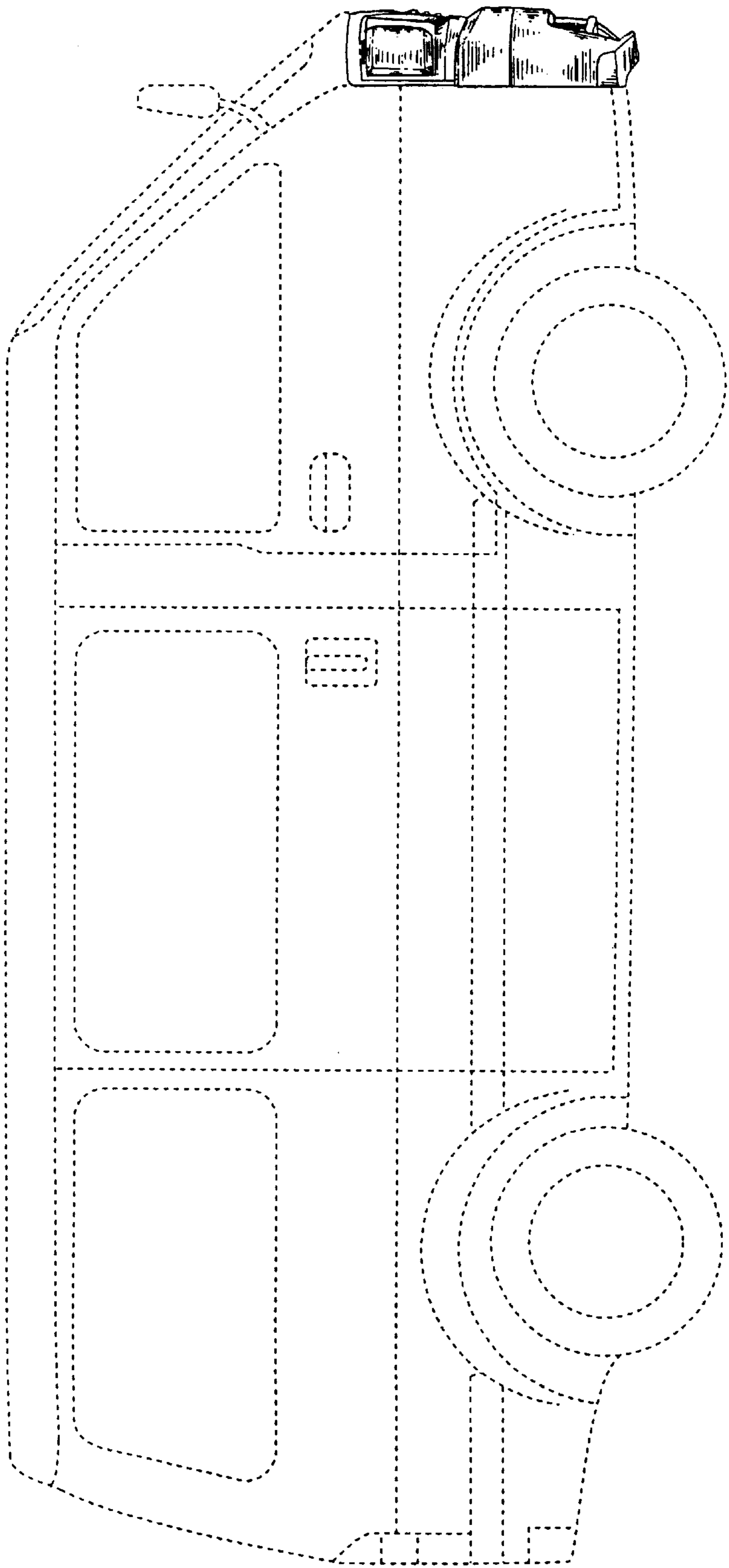


FIG. 12

