



US00D426503S

United States Patent [19]
Goplen

[11] **Patent Number: Des. 426,503**

[45] **Date of Patent: ** Jun. 13, 2000**

[54] **SURFACE CONFIGURATION OF A FRONT PANEL FOR A VEHICLE**

[75] Inventor: **Erik Goplen**, Munich, Germany

[73] Assignee: **Bayerische Motoren Werke Aktiengesellschaft**, Germany

[**] Term: **14 Years**

[21] Appl. No.: **29/101,821**

[22] Filed: **Mar. 11, 1999**

[30] **Foreign Application Priority Data**

Sep. 11, 1998 [DE] Germany 498 09 148

[51] **LOC (7) Cl.** **12-16**

[52] **U.S. Cl.** **D12/169**

[58] **Field of Search** D12/196, 169,
D12/90-92; 293/102, 115, 120; 296/180.1,
180.2

[56] **References Cited**

U.S. PATENT DOCUMENTS

- D. 372,695 8/1996 Nagashima D12/169
- D. 392,606 3/1998 Kulla et al. D12/169
- D. 410,220 5/1999 Möbius et al. D12/169
- D. 410,604 6/1999 Baryle D12/169

Primary Examiner—Melody N. Brown
Attorney, Agent, or Firm—Evenson, McKeown, Edwards & Lenahan, P.L.L.C.

[57] **CLAIM**

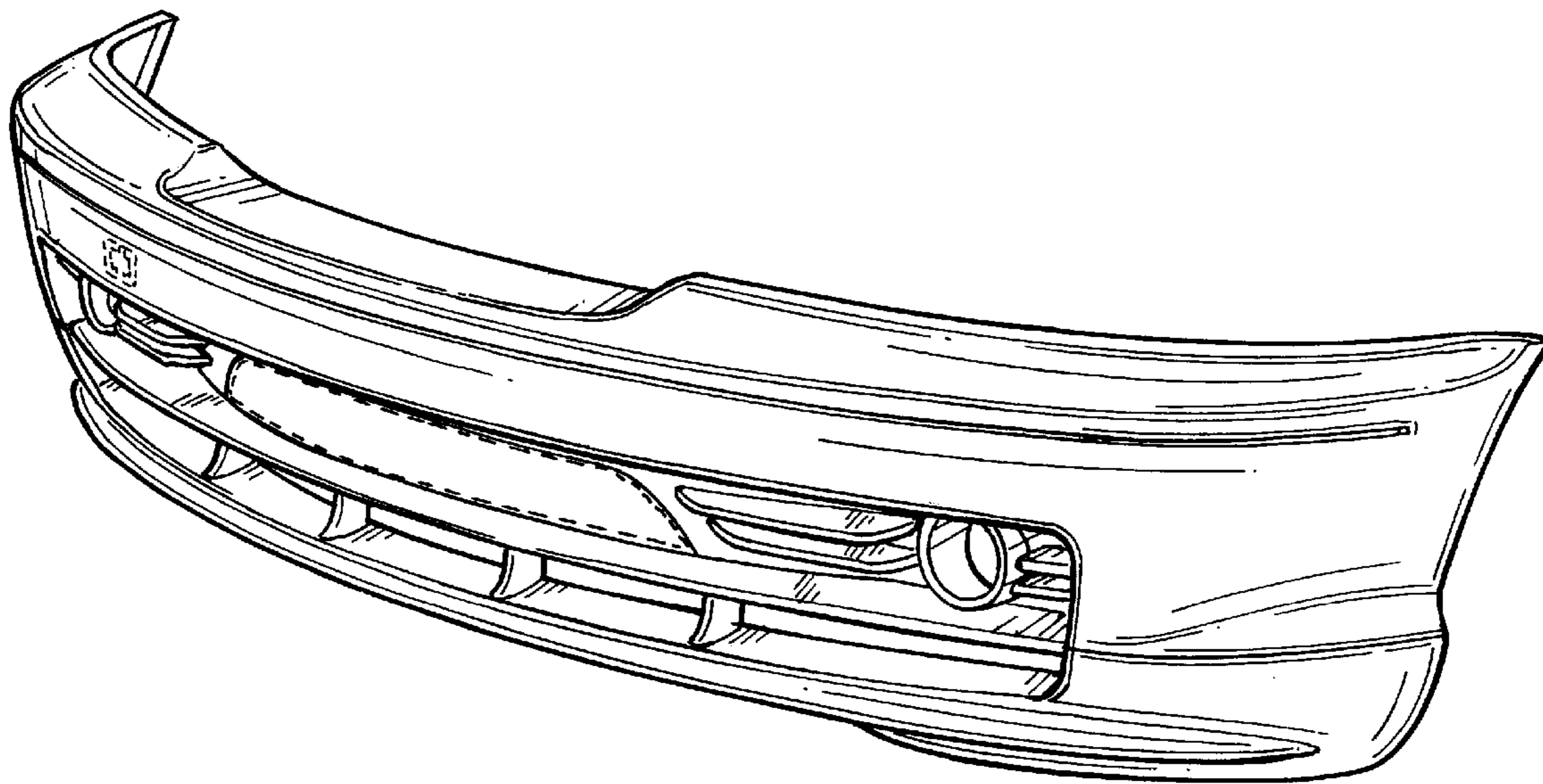
The ornamental design for a surface configuration of a front panel for a vehicle, as shown and described.

DESCRIPTION

FIG. 1 is a front view of a surface configuration of a front panel for a vehicle according to my novel design; FIG. 2 is a left side view of a surface configuration of a front panel for a vehicle according to my novel design; FIG. 3 is a right side view of a surface configuration of a front panel for a vehicle according to my novel design; FIG. 4 is a top view of a surface configuration of a front panel for a vehicle according to my novel design; FIG. 5 is a bottom view of a surface configuration of a front panel for a vehicle according to my novel design; FIG. 6 is a perspective view from the front left of a surface configuration of a front panel for a vehicle according to my novel design; and, FIG. 7 is a perspective view from the front right of a surface configuration of a front panel for a vehicle according to my novel design.

The broken line included depicts environment and is not part of the claimed design.

1 Claim, 3 Drawing Sheets



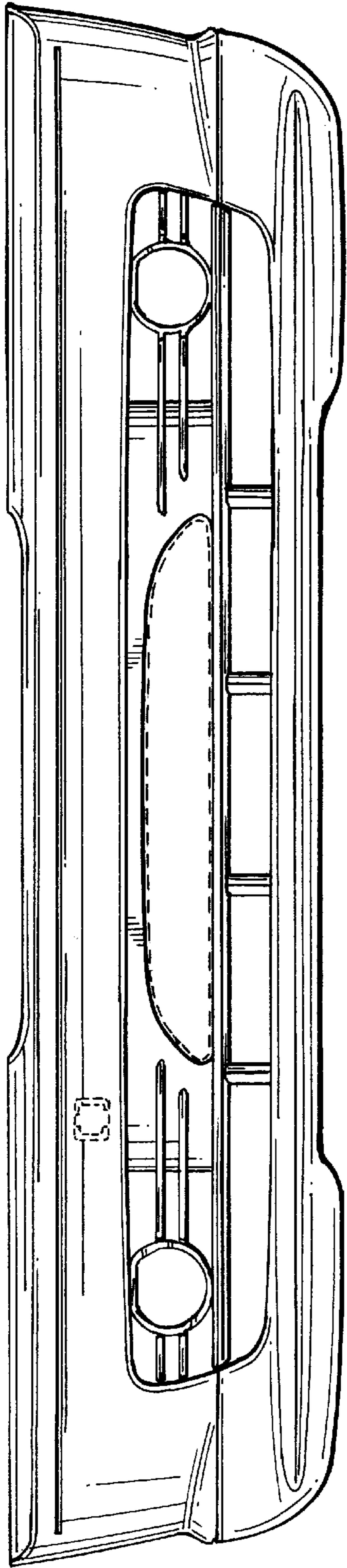


FIG. 1

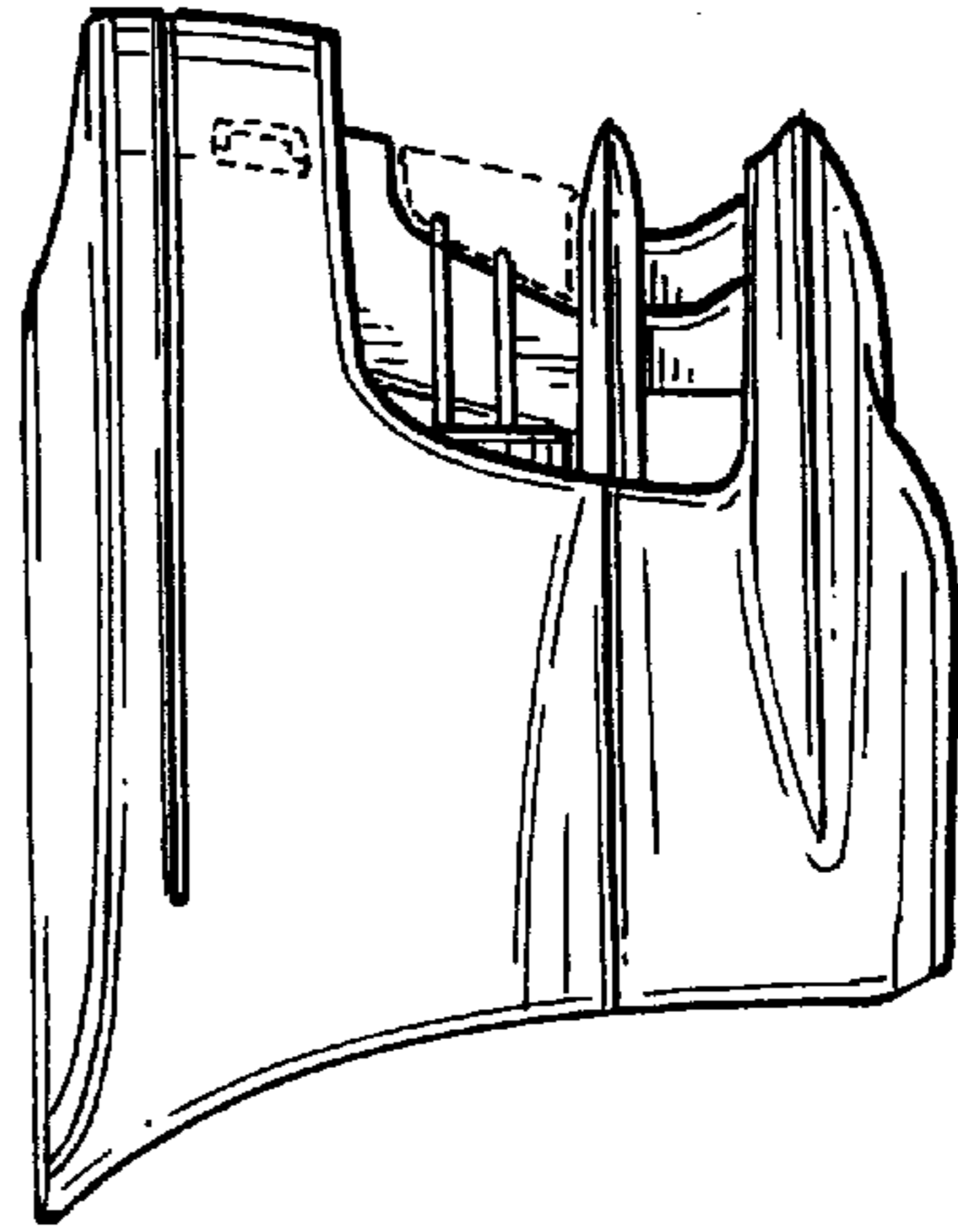


FIG. 3

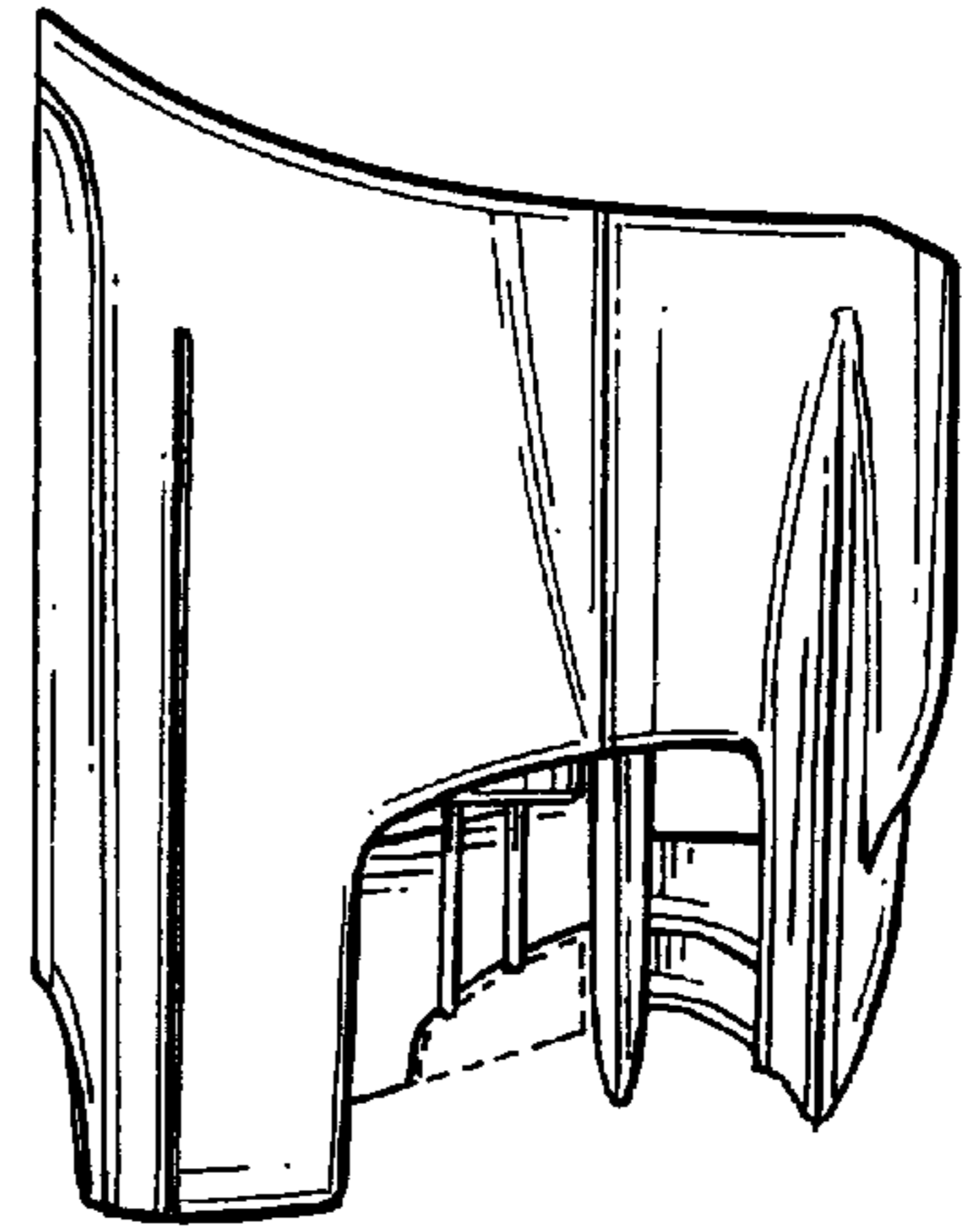


FIG. 2

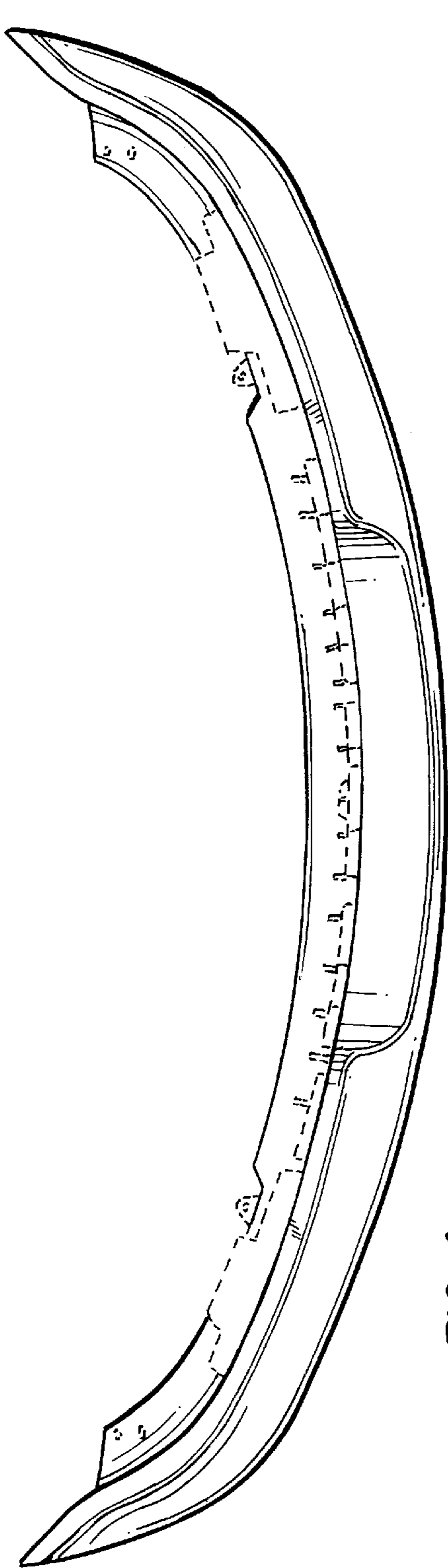


FIG. 4

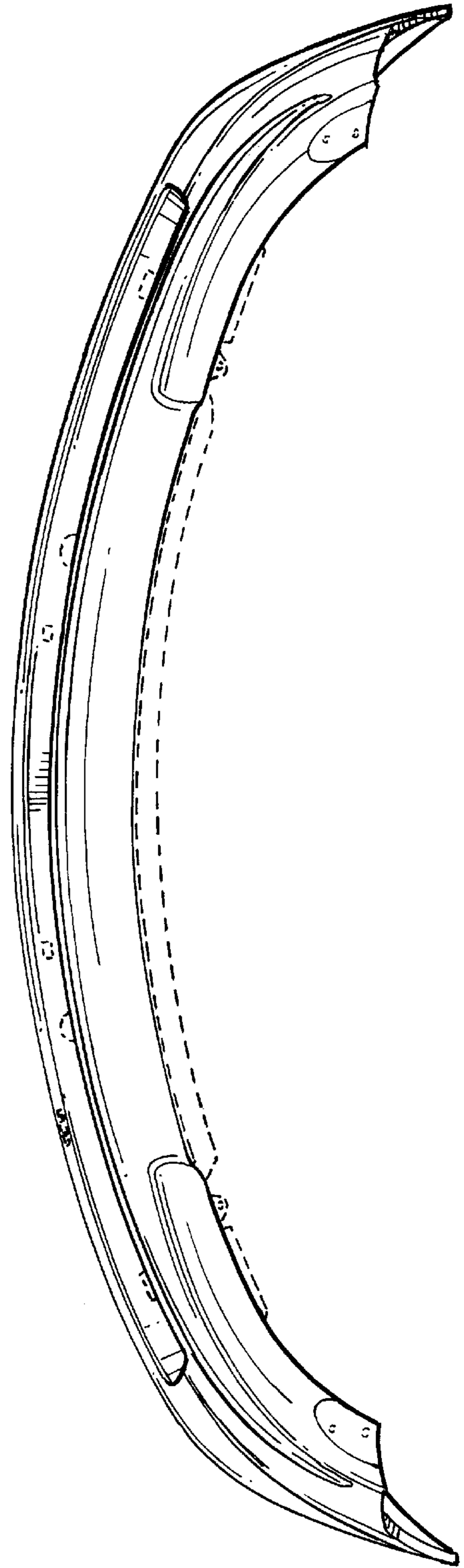


FIG. 5

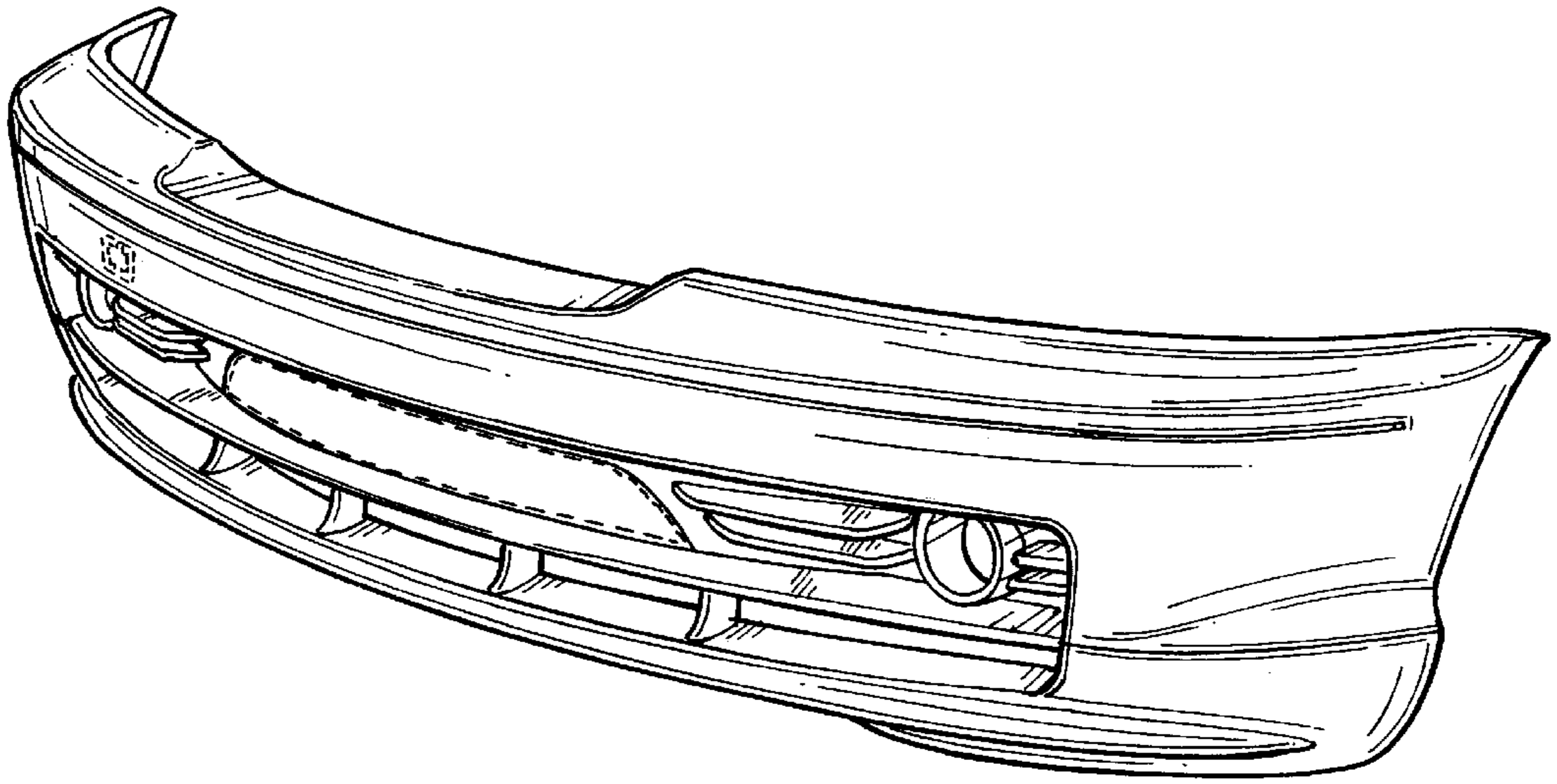


FIG. 6

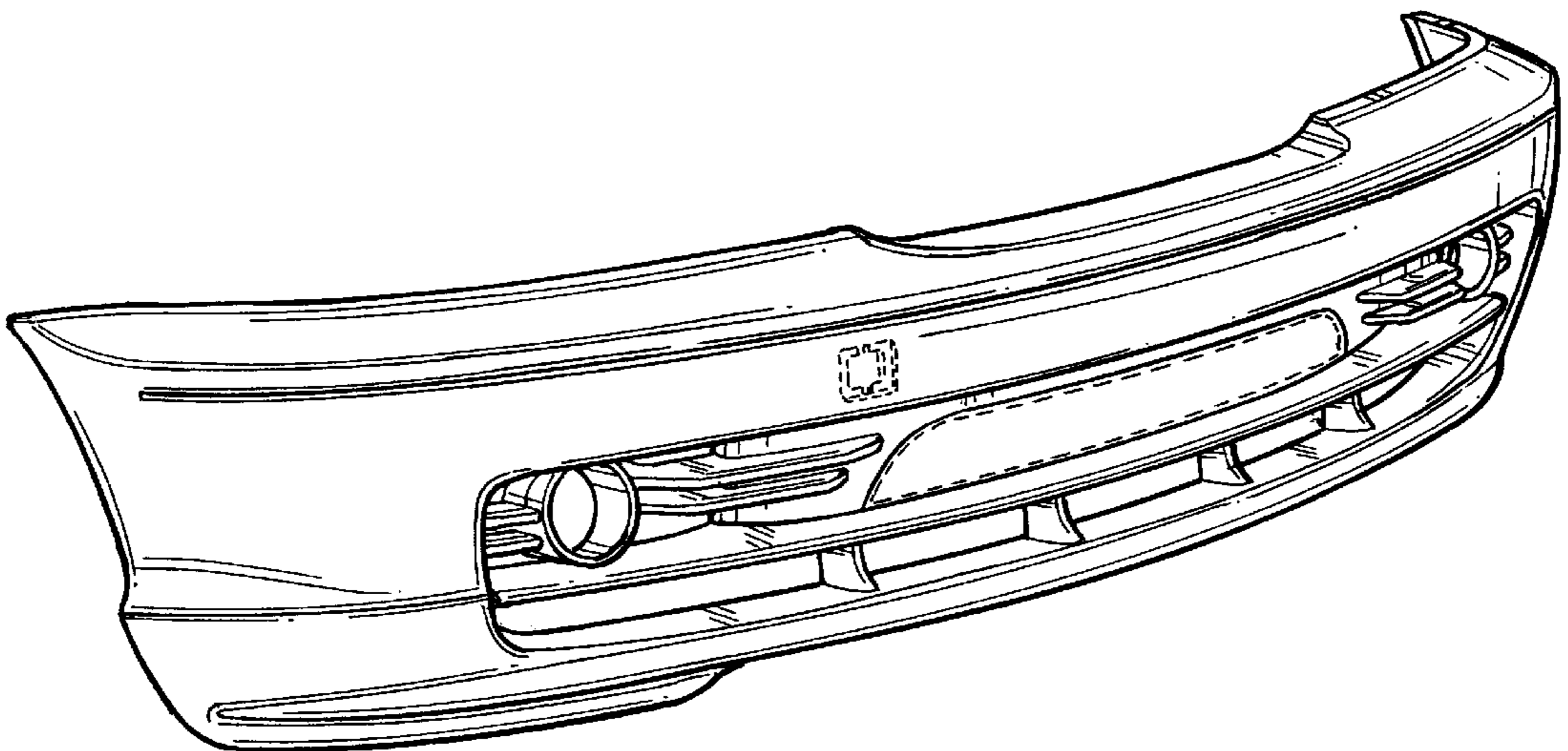


FIG. 7