



US00D426502S

**United States Patent** [19]  
**O'Neill et al.**

[11] **Patent Number: Des. 426,502**  
[45] **Date of Patent: \*\* Jun. 13, 2000**

[54] **TIRE TREAD**

[75] Inventors: **Adrian Thomas O'Neill**, Cuyahoga Falls; **John Kevin Clark**, Copley; **Craig David Miller**, Norton; **Billy Joe Ratliff, Jr.**, Akron; **Samuel Patrick Landers**, Uniontown, all of Ohio

[73] Assignee: **The Goodyear Tire & Rubber Company**, Akron, Ohio

[\*\*] Term: **14 Years**

[21] Appl. No.: **29/111,543**

[22] Filed: **Sep. 29, 1999**

[51] **LOC (7) Cl.** ..... **12-15**

[52] **U.S. Cl.** ..... **D12/147; D12/143**

[58] **Field of Search** ..... **D12/134-152;**  
152/209.1, 209.8, 209.9, 209.11, 209.13,  
209.16, 209.28, 900, 901

- D. 365,055 12/1995 McKisson .
- D. 368,687 4/1996 Hayashi .
- D. 379,954 6/1997 Matsuda et al. .... D12/147
- D. 386,725 11/1997 Matsuda et al. .
- D. 397,653 9/1998 Heinen .
- D. 400,831 11/1998 Blankenship et al. .... D12/147
- D. 413,844 9/1999 Graas ..... D12/147
- 5,669,993 9/1997 Moseley et al. .
- 5,795,415 8/1998 Campana et al. .

**OTHER PUBLICATIONS**

Goodyear Regatta Tire, 1998 Tread Design Guide, p. 35. 4/5.  
Lee Turbo Action Radial GT Tire, 1998 Tread Design Guide,  
p. 43. 3/5.

*Primary Examiner*—Robert M. Spear  
*Attorney, Agent, or Firm*—T P Lewandowski

[57] **CLAIM**

The ornamental design for a tire tread, as shown and described.

**DESCRIPTION**

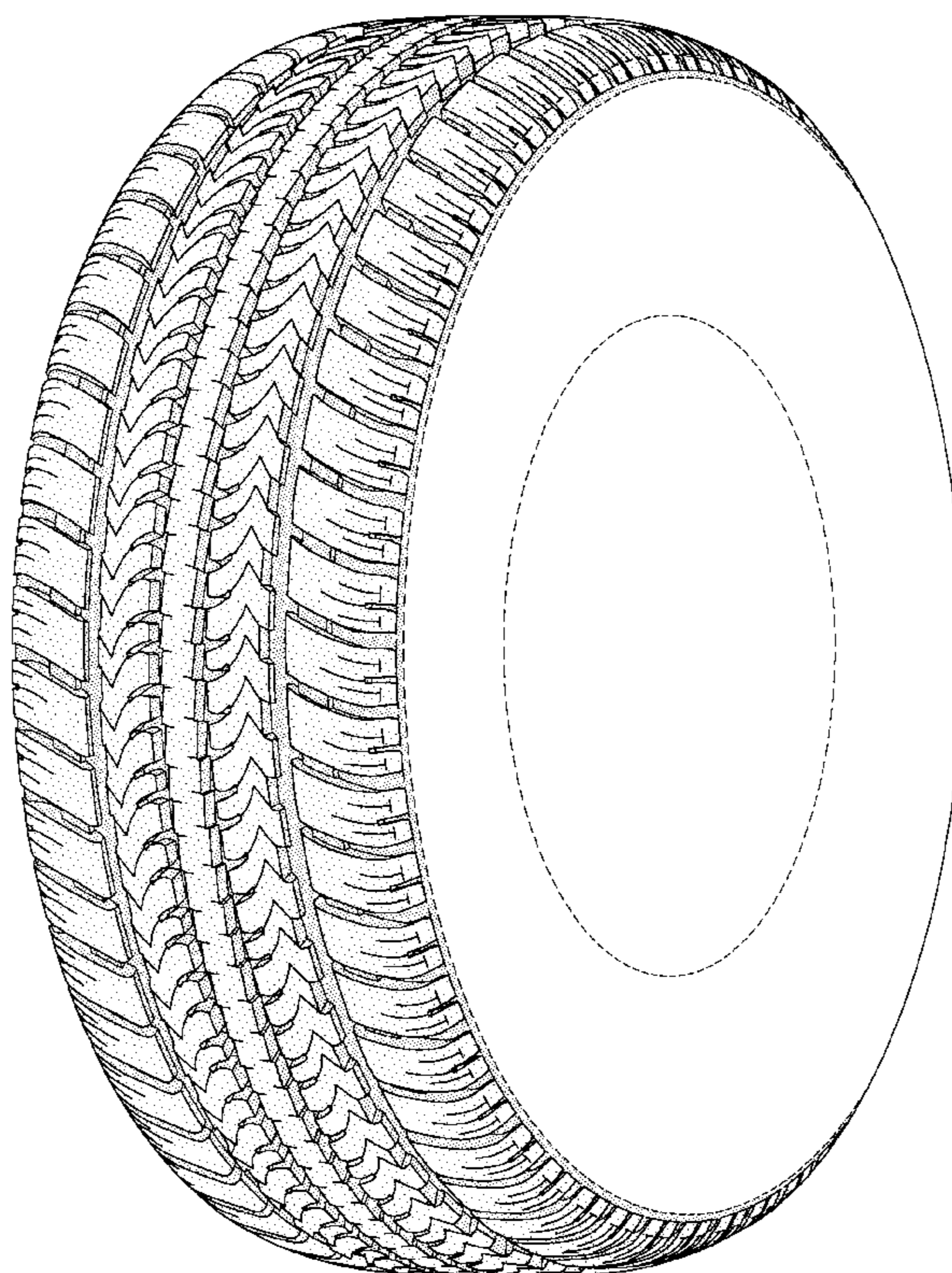
FIG. 1 is a perspective view of a tire tread showing our new design, it being understood that the pattern repeats uniformly throughout the circumference of the tread;  
FIG. 2 is a front elevational view thereof;  
FIG. 3 is a side elevational view thereof, the opposite side elevational view being identical thereto; and,  
FIG. 4 is an enlarged fragmentary perspective view.  
In the drawings, the broken lines defining the inner bead of the sidewall and the peripheral boundary between the tire tread and the sidewall are for illustrative purposes only and form no part of the claimed design.

**1 Claim, 4 Drawing Sheets**

[56] **References Cited**

**U.S. PATENT DOCUMENTS**

- D. 284,562 7/1986 Kojima et al. .
- D. 296,541 7/1988 Gettys et al. .
- D. 296,544 7/1988 Matsushita et al. .
- D. 304,558 11/1989 Fukumoto .
- D. 313,211 12/1990 Minamitani et al. .
- D. 313,212 12/1990 Hamada et al. .
- D. 326,251 5/1992 Aoki et al. .
- D. 328,580 8/1992 Killian .
- D. 344,051 2/1994 Attinello et al. .
- D. 344,053 2/1994 Attinello et al. .
- D. 365,053 12/1995 White .



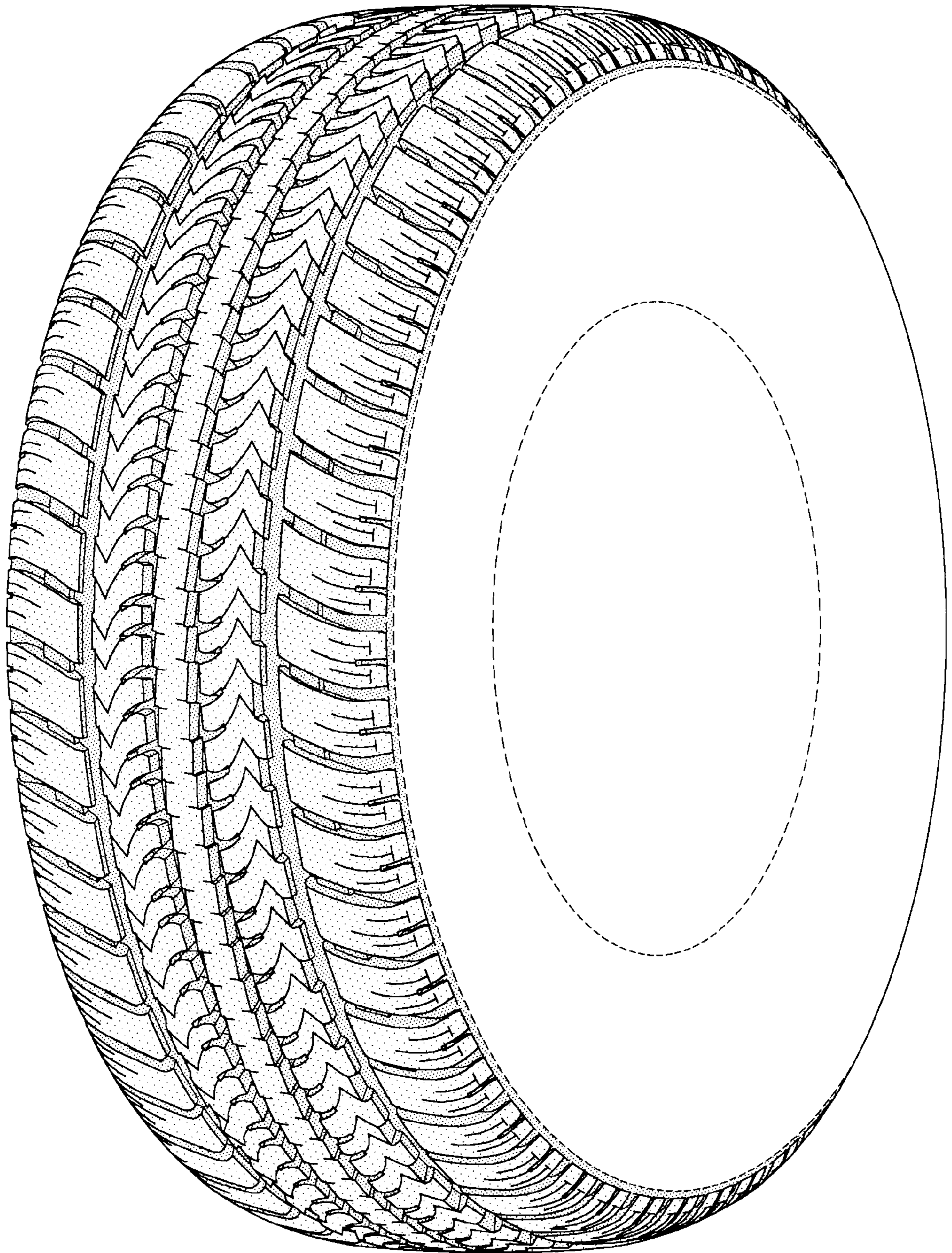


FIG-1

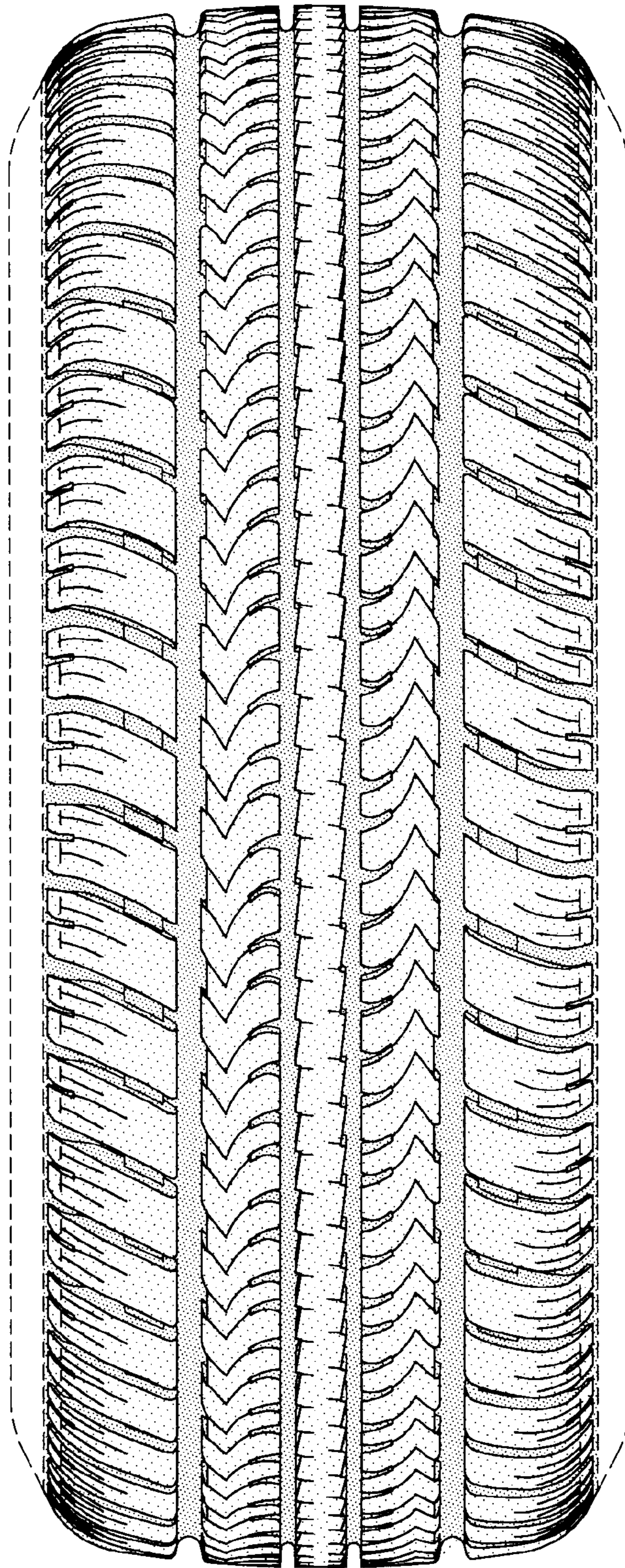


FIG-2

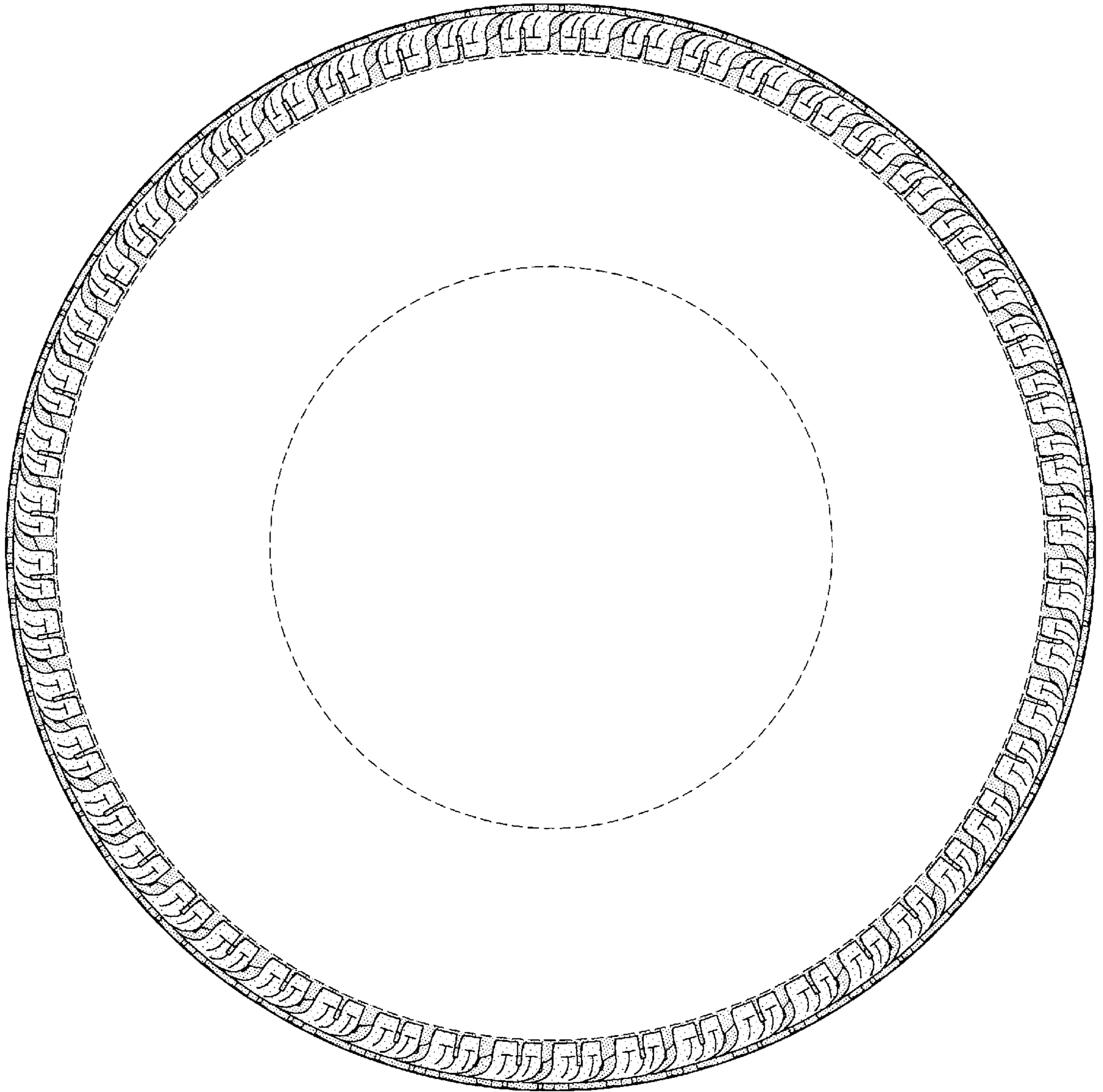


FIG-3

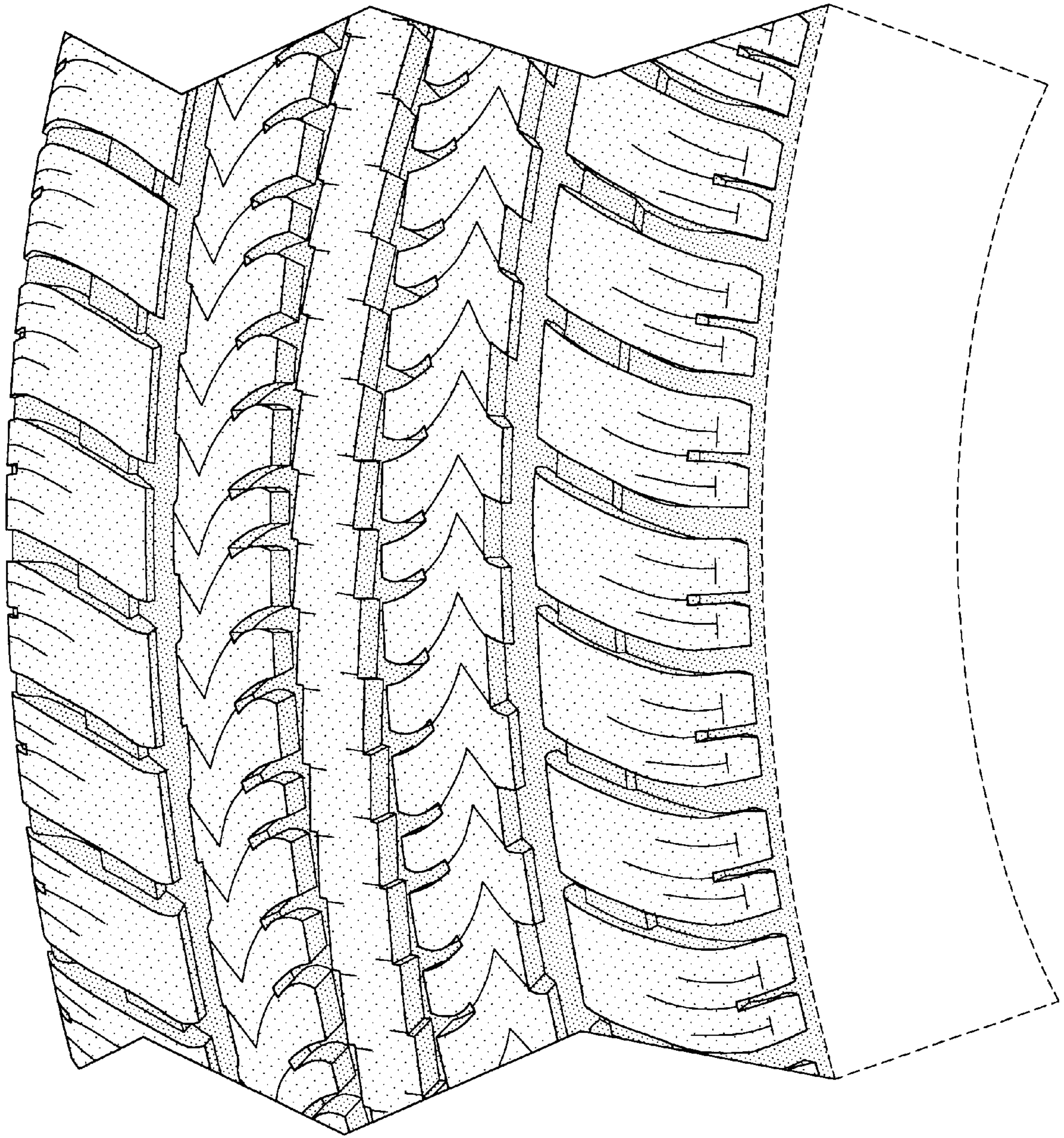


FIG-4