



US00D426494S

United States Patent [19] Wimmer

[11] **Patent Number: Des. 426,494**
[45] **Date of Patent: ** Jun. 13, 2000**

[54] **MOTORCYCLE ENGINE BREATHER**

5,249,556 10/1993 Emmitt 123/196 CP X

[76] Inventor: **Lee S. Wimmer**, 1114 Green St.,
Perkasie, Pa. 18944

OTHER PUBLICATIONS

Drag Specialties, Air Cleaner Breather Kit on p. 153, 1995.
Genuine Harley-Davidson Genuine Parts & Accessories,
Chrome Breather Pipe on p. 183, 1995.

[**] Term: **14 Years**

Primary Examiner—Alan P. Douglas
Assistant Examiner—Linda Brooks
Attorney, Agent, or Firm—Gregory J. Gore

[21] Appl. No.: **29/115,441**

[22] Filed: **Dec. 15, 1999**

[51] **LOC (7) Cl.** **12-11**

[52] **U.S. Cl.** **D12/114; D15/5**

[58] **Field of Search** D12/110, 114;
D23/235; 123/73 AD, 196 CP, 90.23, 41.86;
D15/3, 5; 280/288.4; 180/219

[57] CLAIM

The ornamental design for a motorcycle engine breather, as shown and described.

[56] References Cited

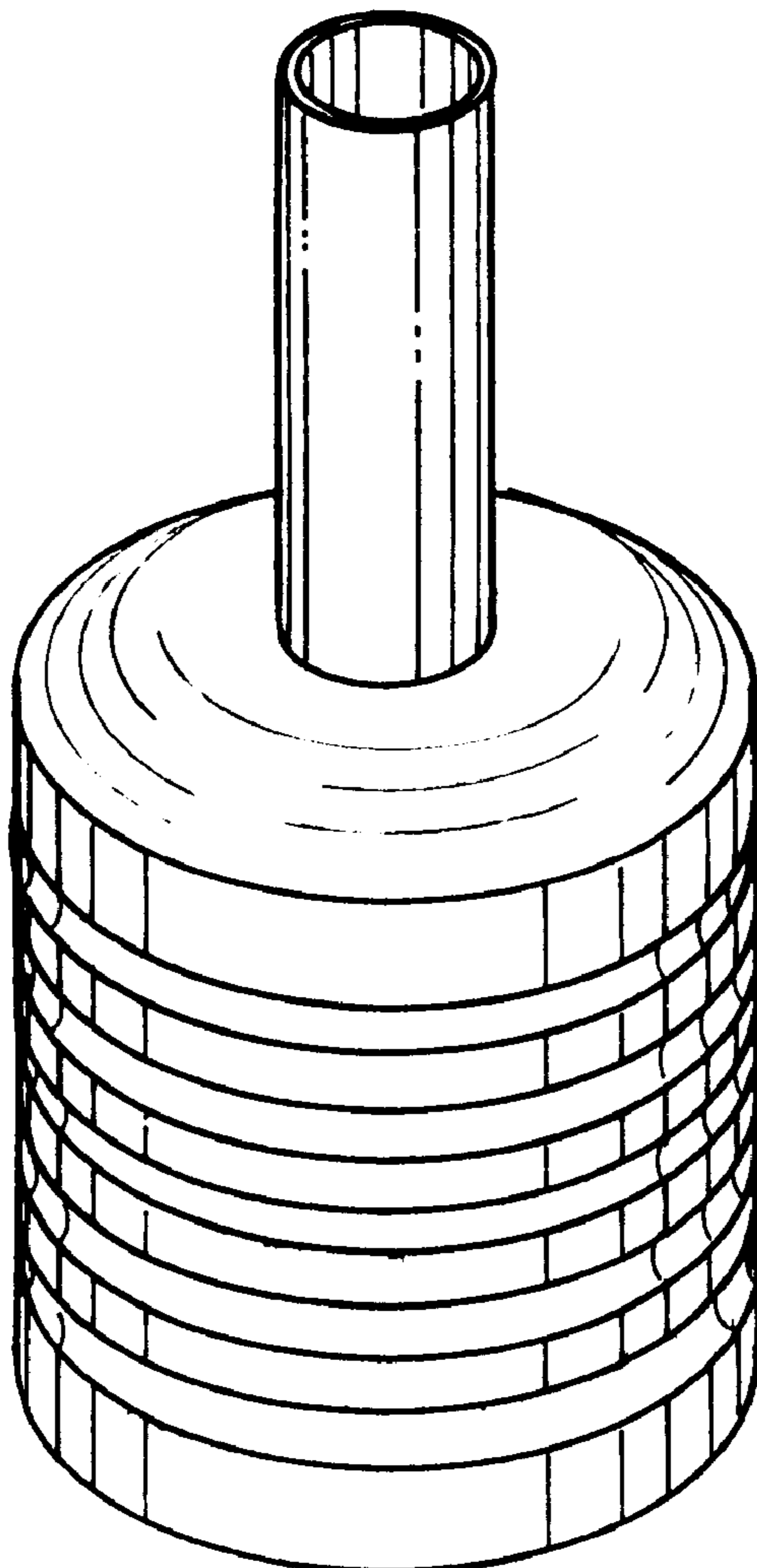
U.S. PATENT DOCUMENTS

D. 301,703 6/1989 Bernstein D12/114
4,579,092 4/1986 Kandler 123/196 CP X
4,656,991 4/1987 Fukuo et al. 123/41.86 X
4,869,213 9/1989 Panzica 123/73 AD
4,886,019 12/1989 Davis et al. 123/41.86

DESCRIPTION

FIG. 1 is a front, right, top isometric view of a motorcycle engine breather showing my new design;
FIG. 2 is a side elevational view, the opposite side being identical.
FIG. 3 is a top plan view; and,
FIG. 4 is a bottom plan view thereof.

1 Claim, 1 Drawing Sheet



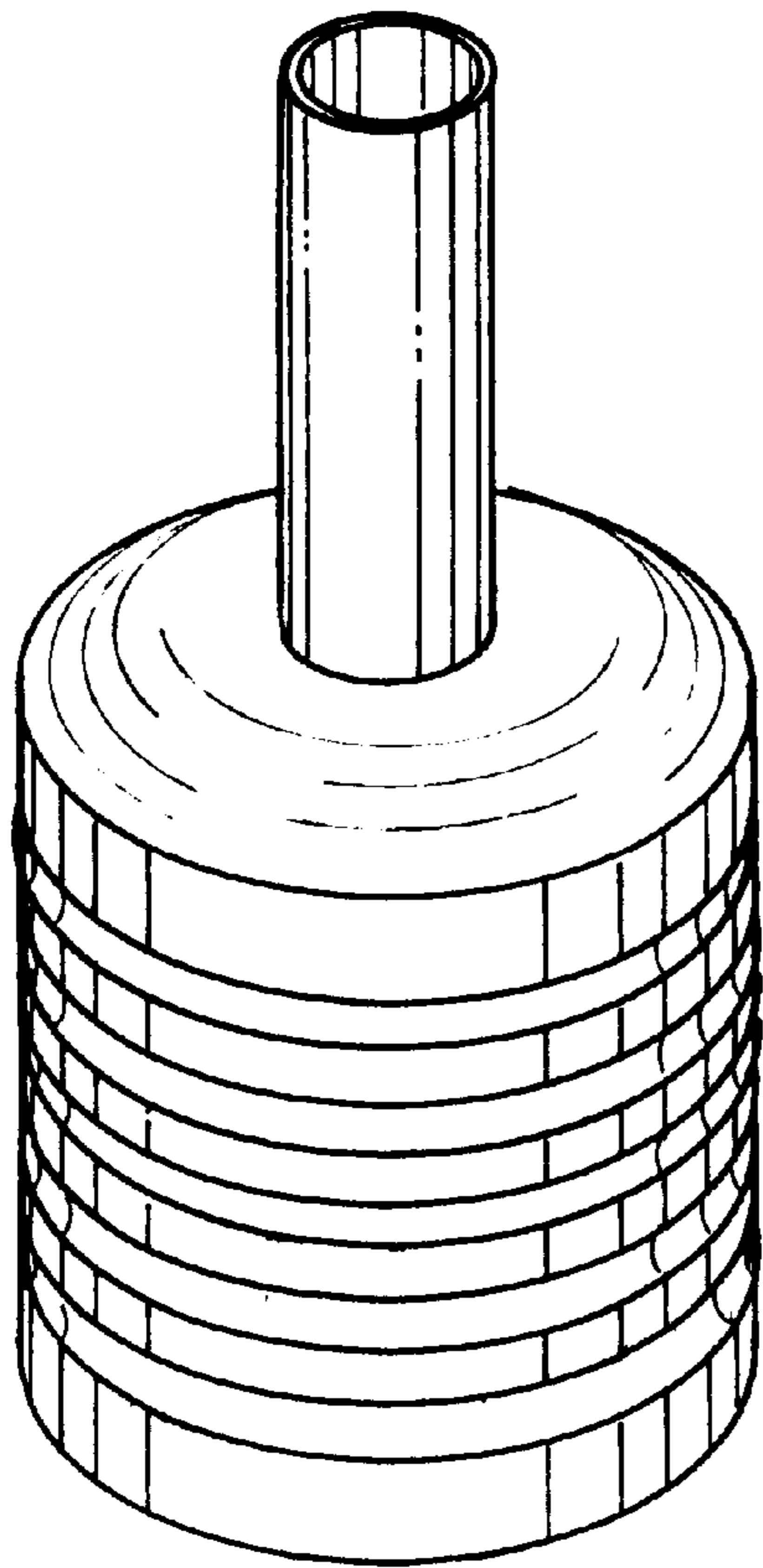


Fig. 1

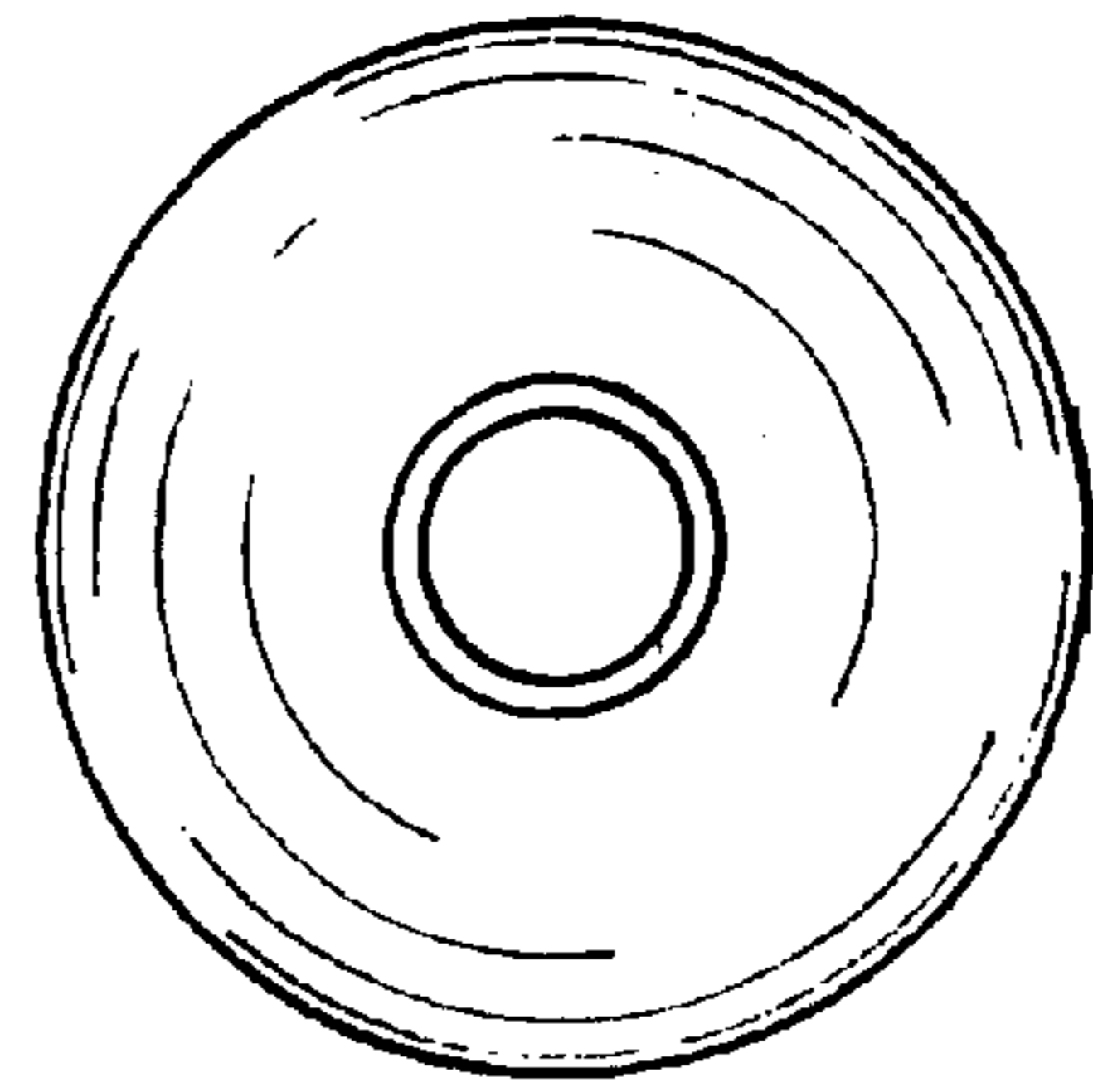


Fig. 3

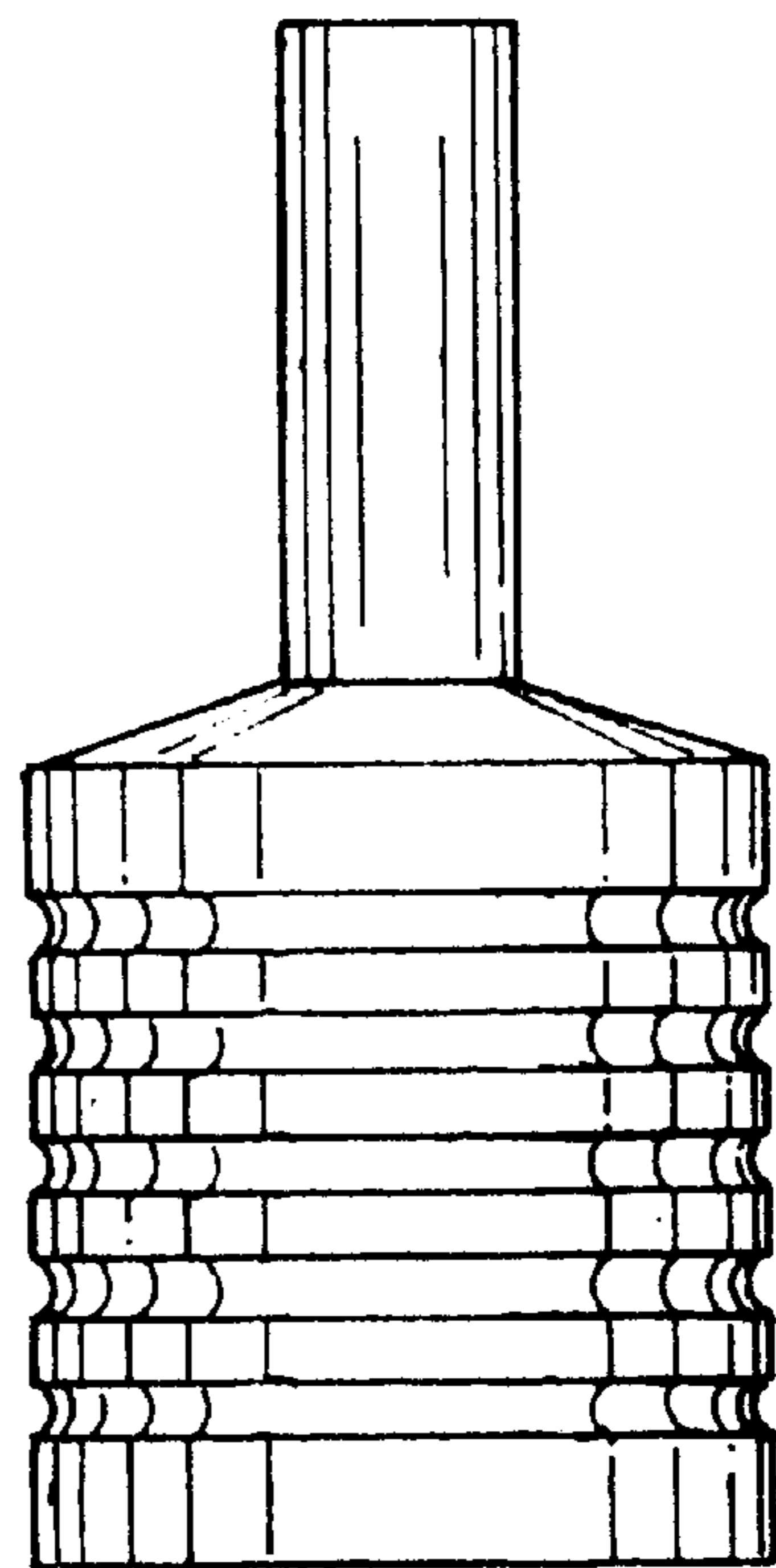


Fig. 2

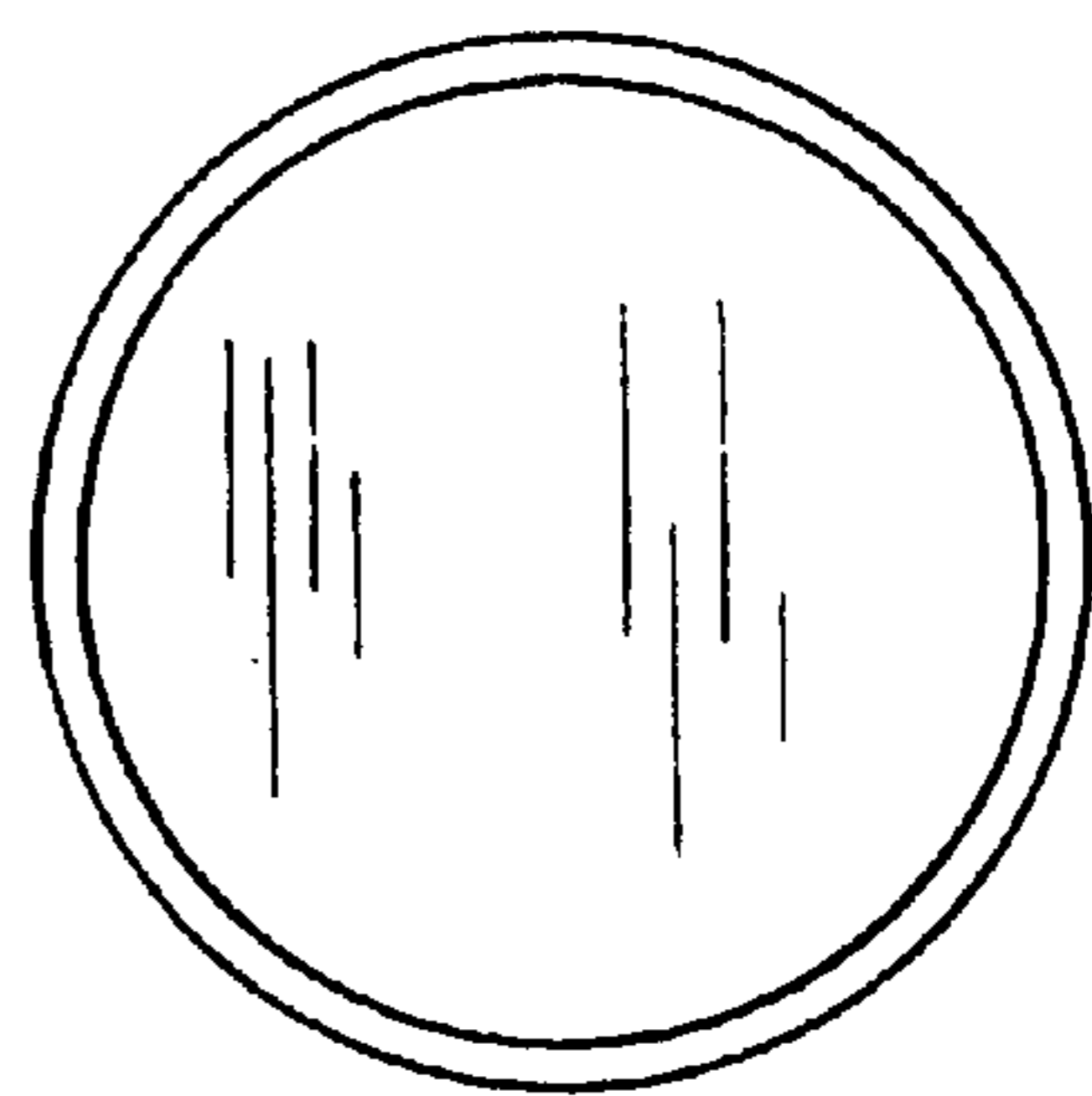


Fig. 4