



US00D426493S

# United States Patent [19]

Mertins et al.

[11] Patent Number: Des. 426,493

[45] Date of Patent: \*\* Jun. 13, 2000

[54] VENDING TRUCK

[76] Inventors: **Frank Mertins**, Weissdornring 9,  
59597 Bad Westernkotten; **Athanasios  
Dermaris**, Niemollerallee 12, 59555  
Lippstadt, both of Germany

[\*\*] Term: **14 Years**

[21] Appl. No.: **29/095,966**

[22] Filed: **Nov. 2, 1998**

### [30] Foreign Application Priority Data

May 1, 1998 [XH] Hague Agreement ..... DM/044445

[51] LOC (7) Cl. .... **12-08**

[52] U.S. Cl. .... **D12/93; D12/99**

[58] Field of Search ..... D12/93, 99, 83,  
D12/103, 105; 296/183, 181

### [56] References Cited

#### U.S. PATENT DOCUMENTS

D. 190,077 4/1961 Myers ..... D12/99

D. 191,038 8/1961 Myers ..... D12/99  
D. 249,495 9/1978 Wallace et al. .... D12/99  
D. 297,626 9/1988 London et al. .... D12/99  
D. 314,388 2/1991 Brewer et al. .... D12/1  
D. 322,771 12/1991 Roccaro ..... D12/98  
D. 396,667 8/1998 Camillieri ..... D12/99

*Primary Examiner*—Melody N. Brown  
*Attorney, Agent, or Firm*—Collard & Roe, P.C.

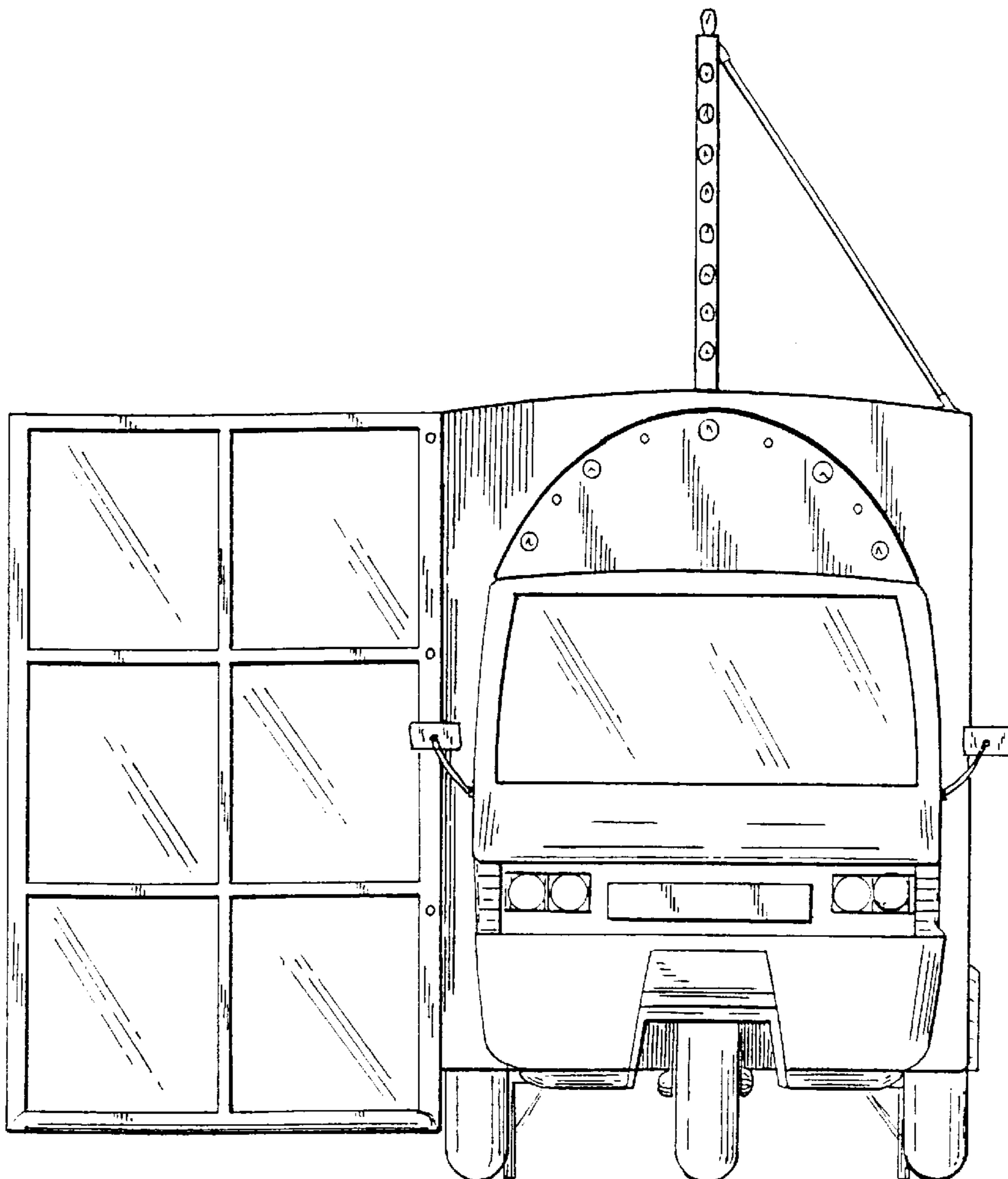
### [57] CLAIM

The ornamental design for a vending truck, as shown and described.

### DESCRIPTION

FIG. 1 is a right side view of a vending truck showing our new design, the broken lines are for illustration purposes only and forms no part of the claimed design.  
FIG. 2 is a left side view thereof;  
FIG. 3 is a front view thereof;  
FIG. 4 is a rear view thereof; and,  
FIG. 5 is a top view thereof.

**1 Claim, 5 Drawing Sheets**



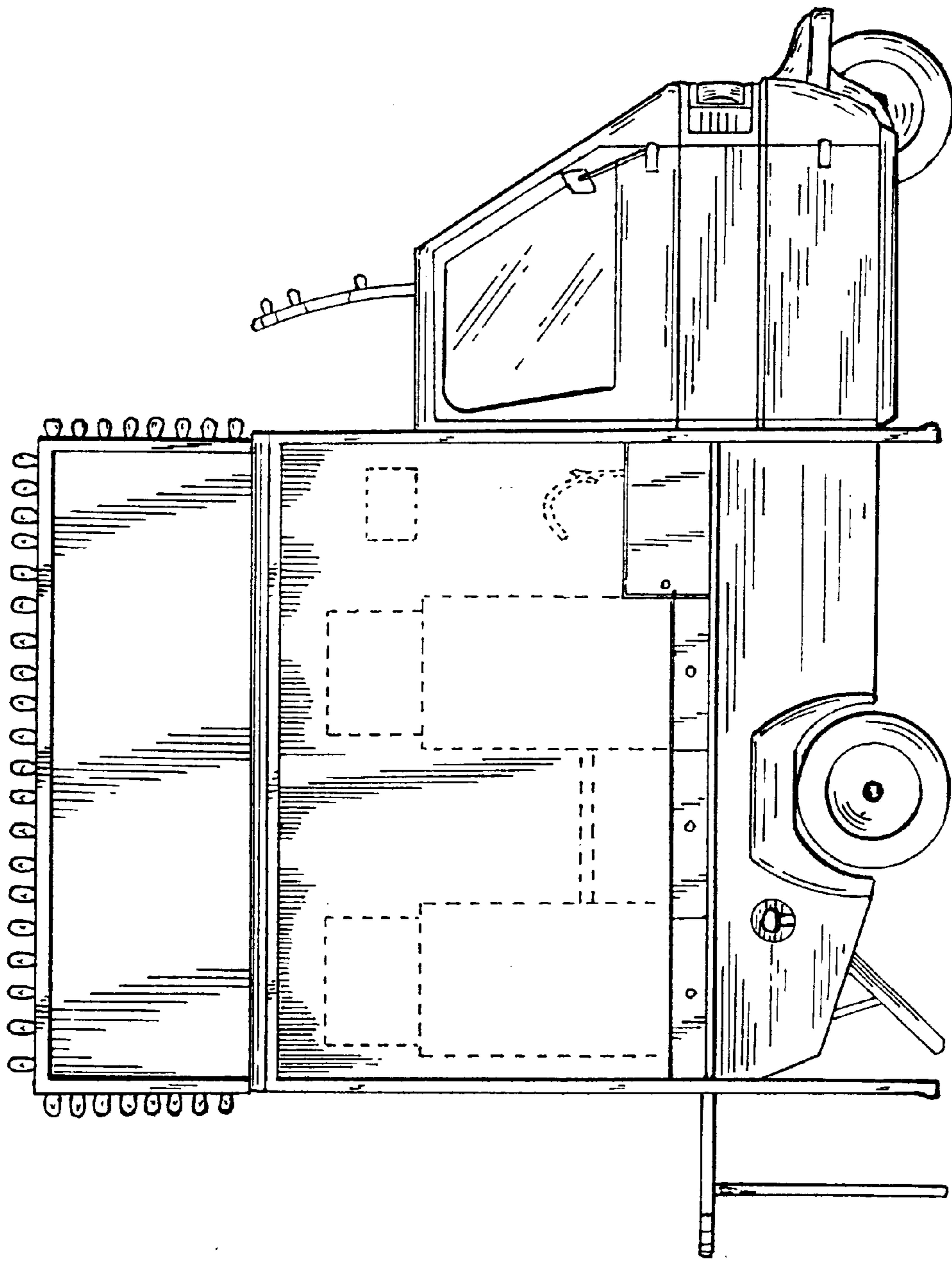
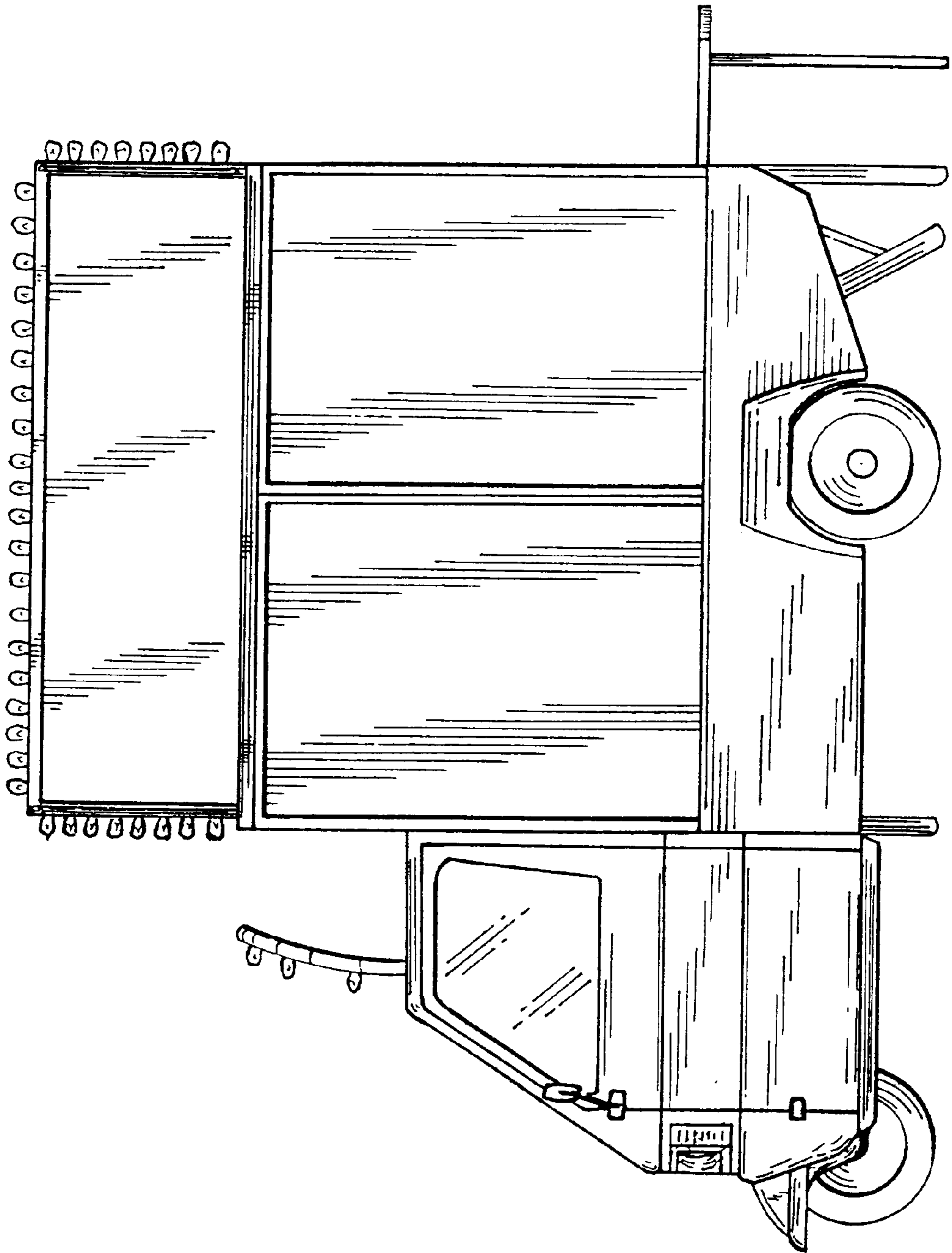


FIG. 1

FIG. 2



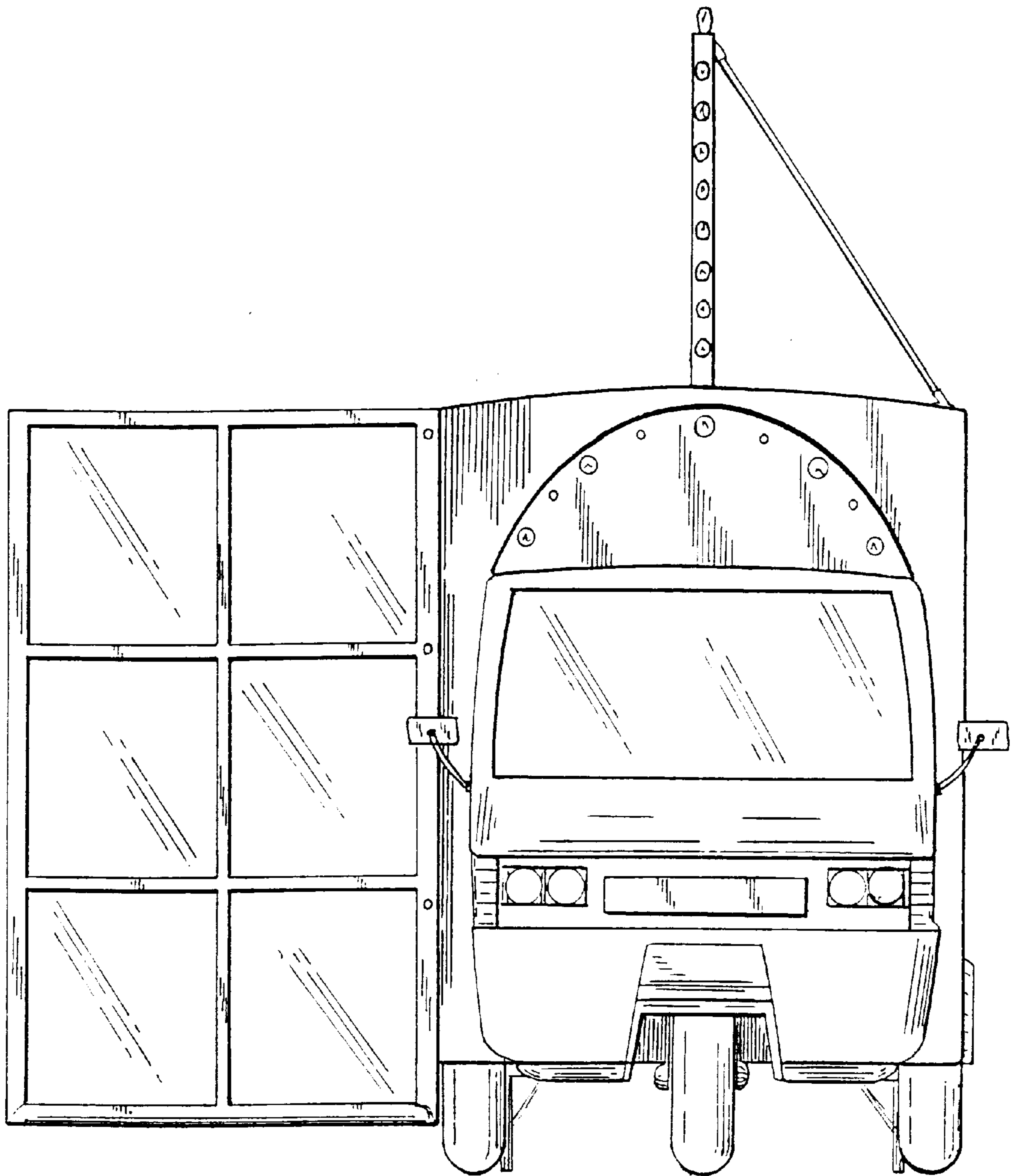


FIG. 3

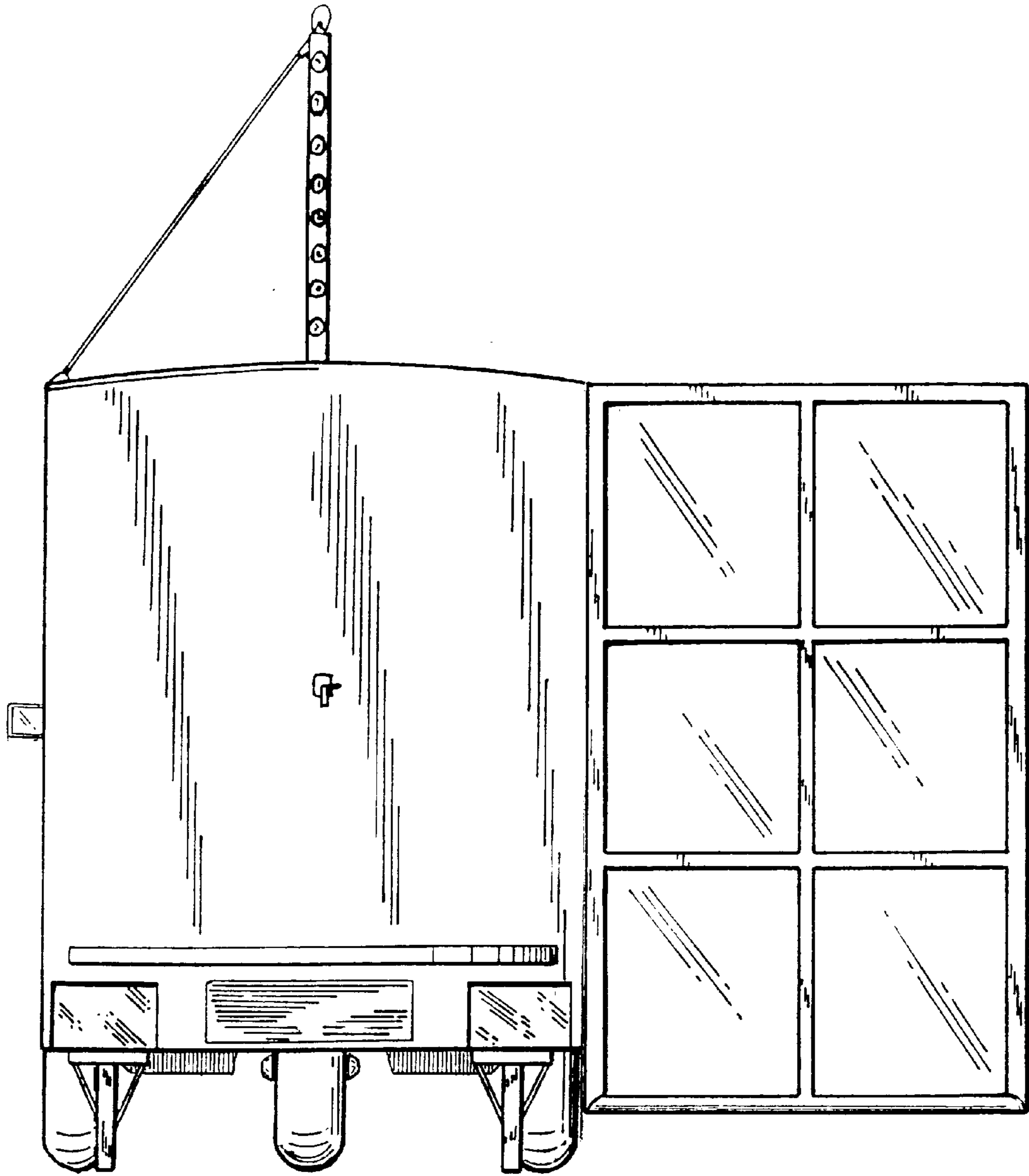


FIG. 4



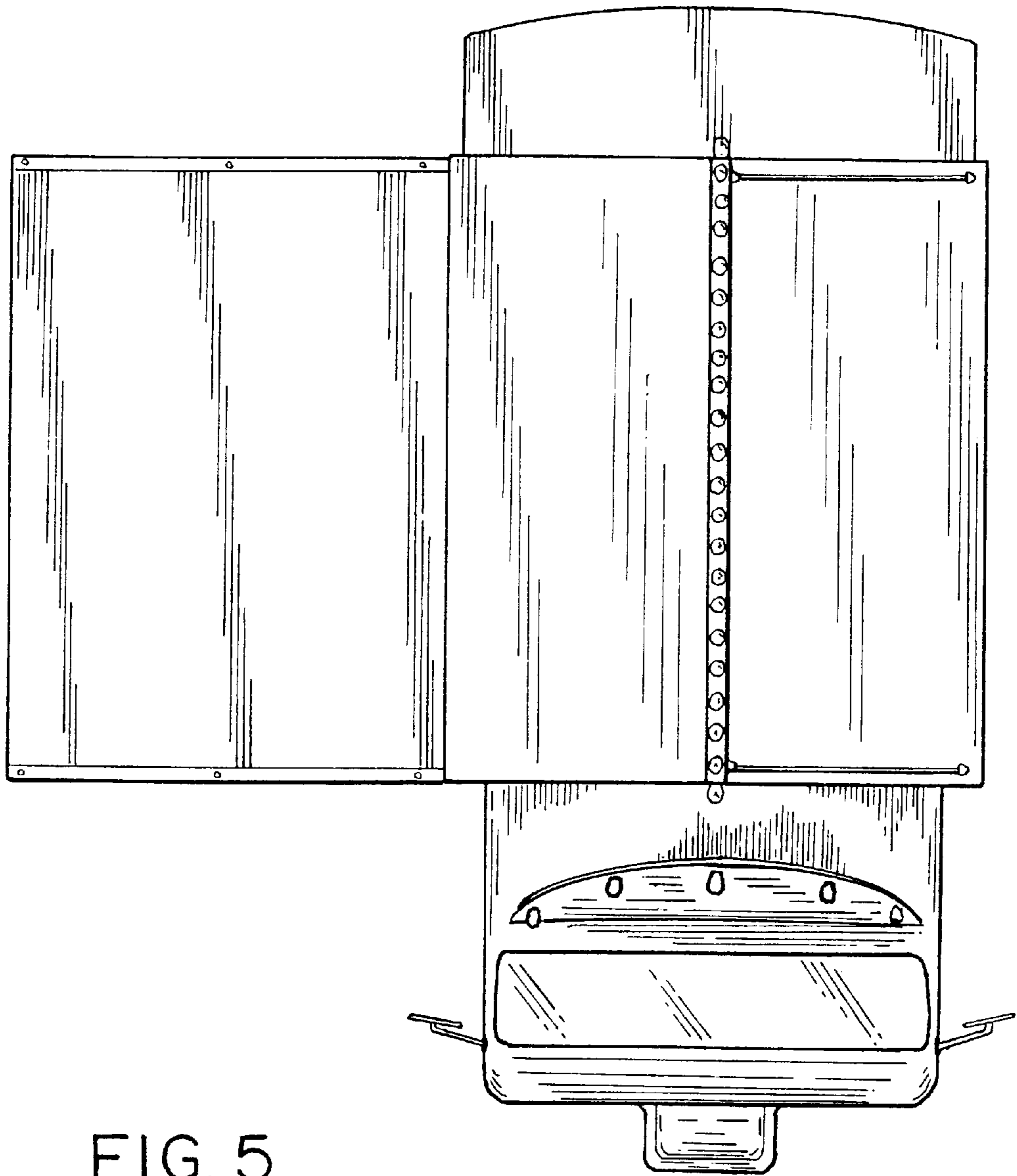


FIG. 5