



US00D426492S

United States Patent [19]
Pappalardo

[11] **Patent Number: Des. 426,492**

[45] **Date of Patent: ** Jun. 13, 2000**

[54] **ROLLER WHEEL SLED**

[76] Inventor: **Gennaro A. Pappalardo**, 61 Penbroke Ave., Staten Island, N.Y. 10301

[**] Term: **14 Years**

[21] Appl. No.: **29/105,934**

[22] Filed: **Jun. 4, 1999**

[51] **LOC (7) Cl.** **12-14**

[52] **U.S. Cl.** **D12/6**

[58] **Field of Search** D12/1, 6-11; D21/763-765; 280/87.01, 87.021, 87.042, 22, 8, 16-18, 10, 7.12-7.14

3,345,080	10/1967	Schneiderman	280/8
3,391,947	7/1968	Hodas	280/87.01
4,046,392	9/1977	Dredger et al.	280/8
4,098,519	7/1978	Reid, Jr.	280/87.01
4,118,043	10/1978	Brubaker	280/8
5,810,376	9/1998	Matheny	280/87.042

Primary Examiner—Doris V. Coles
Assistant Examiner—Stacia Cadmus
Attorney, Agent, or Firm—Goldstein & Canino

[57] **CLAIM**

The ornamental design for a roller wheel sled, as shown and described.

DESCRIPTION

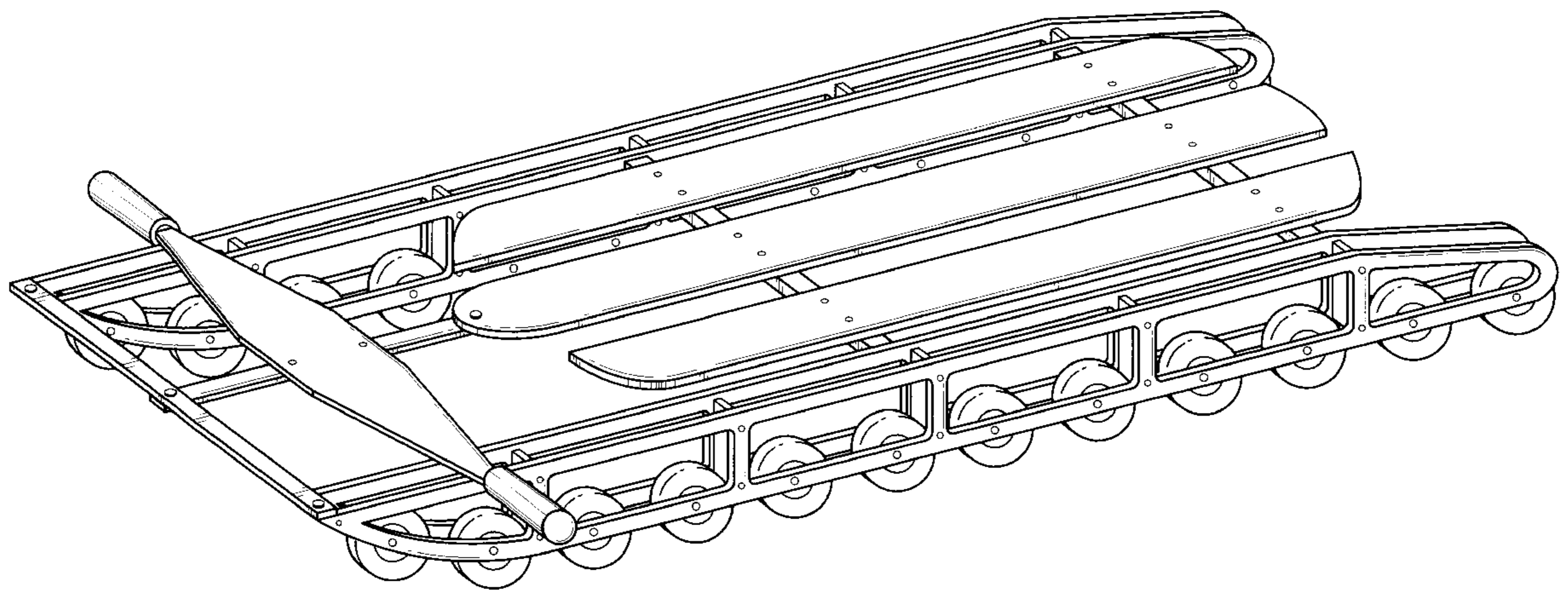
FIG. 1 is a diagrammatic perspective view of a roller wheel sled;
FIG. 2 is a left side elevational view thereof, the right side elevational view being a mirror image of the left side view;
FIG. 3 is a top plan view thereof;
FIG. 4 is a bottom plan view thereof;
FIG. 5 is a front elevational view of the roller wheel sled; and,
FIG. 6 is a rear elevational view thereof.

[56] **References Cited**

U.S. PATENT DOCUMENTS

D. 199,030	9/1964	Lesser	D12/6
840,953	1/1907	Pedersen	280/87.01
1,115,617	11/1914	Thydean	280/8
1,364,912	1/1921	Church	280/87.01
1,722,574	7/1929	Hood	280/87.01
2,063,627	12/1936	Ruf	280/8
2,750,198	6/1956	Moore et al.	280/8 X
2,966,364	12/1960	Plumb	280/22
3,104,115	9/1963	Moore	280/8

1 Claim, 4 Drawing Sheets



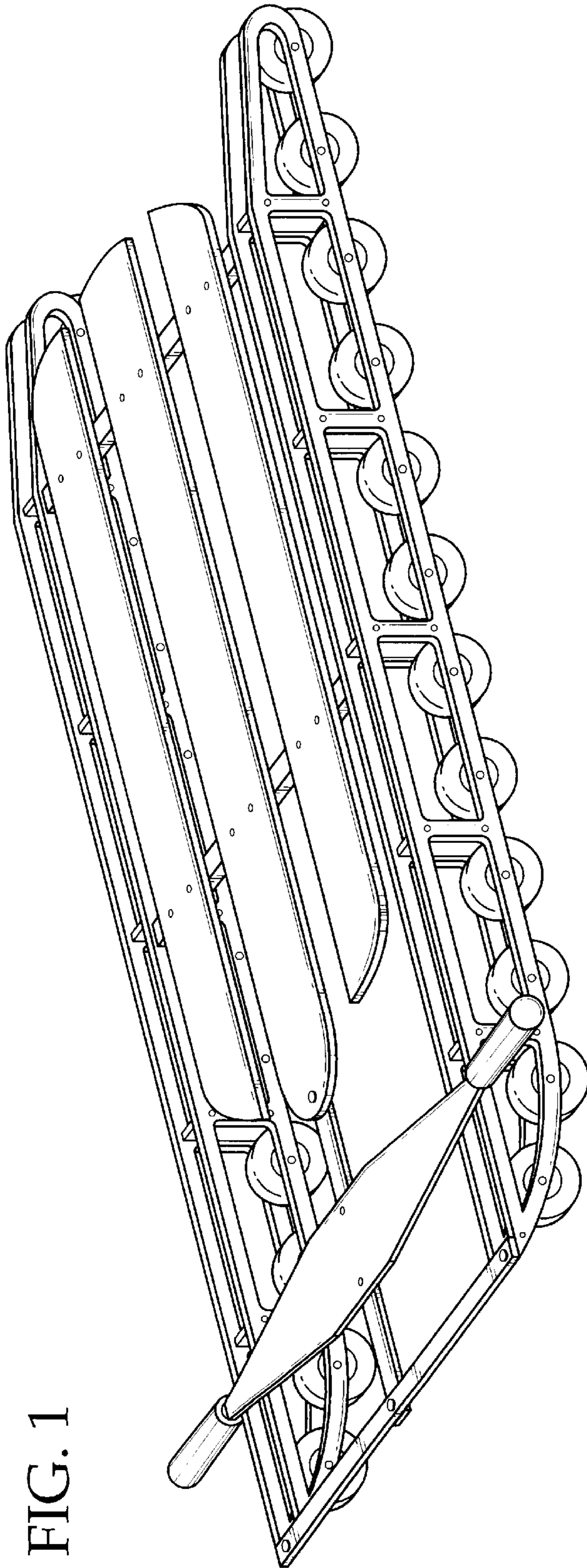


FIG. 1

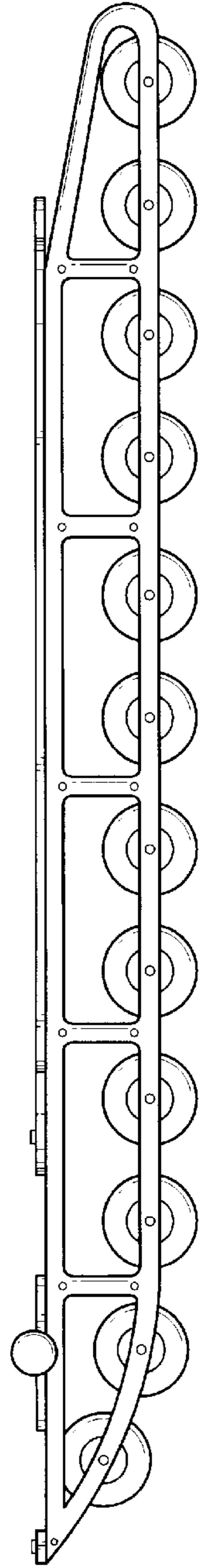


FIG. 2

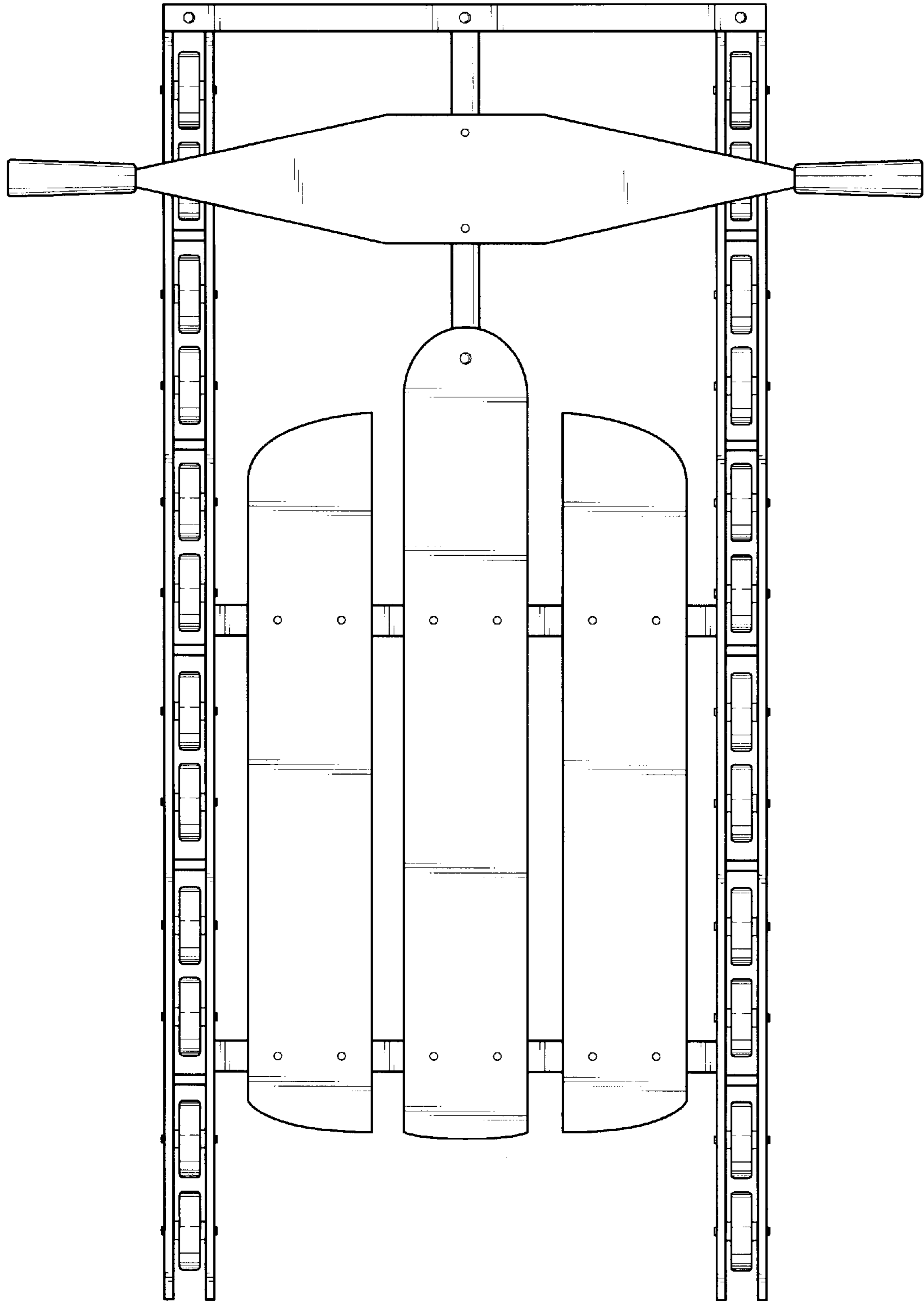


FIG. 3

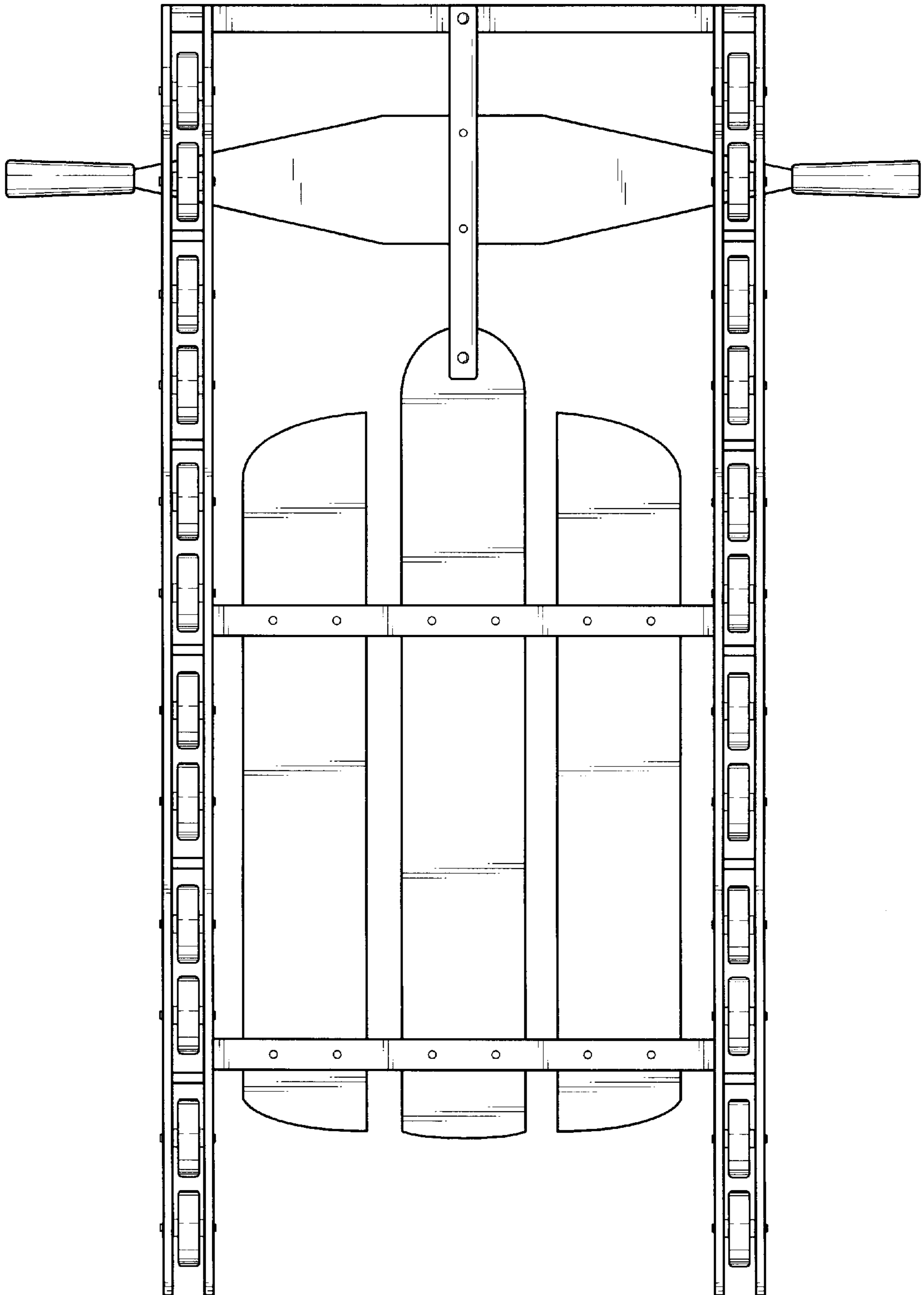


FIG. 4

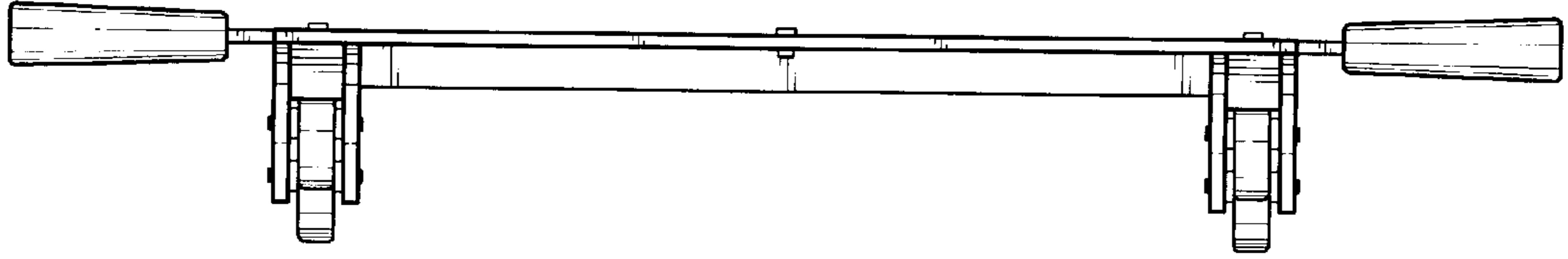


FIG. 5

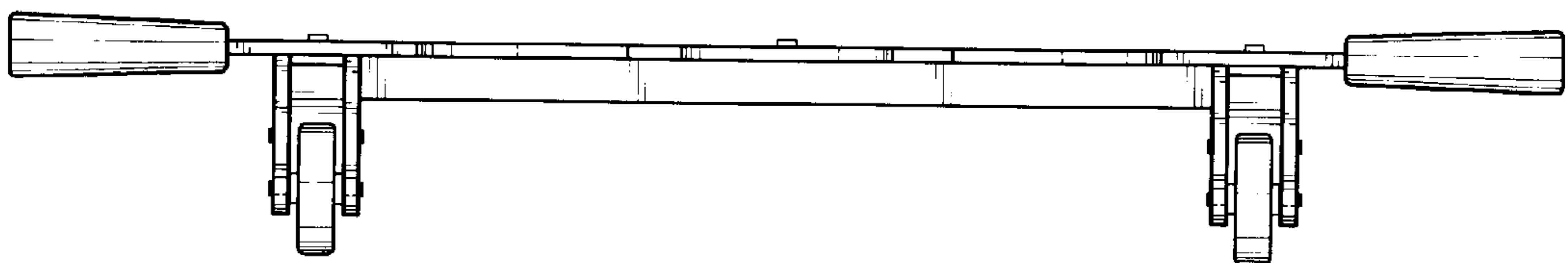


FIG. 6