



US00D426491S

United States Patent [19] Chan

[11] Patent Number: **Des. 426,491**

[45] Date of Patent: **** Jun. 13, 2000**

[54] **MAGNETIC CLASP FOR HANDBAG**

[75] Inventor: **Yu Kit Chan**, Kwai Chung, The Hong Kong Special Administrative Region of the People's Republic of China

[73] Assignee: **Kit Hart Metal Manufactory Limited**, Kwai Chung, The Hong Kong Special Administrative Region of the People's Republic of China

[**] Term: **14 Years**

[21] Appl. No.: **29/100,335**

[22] Filed: **Feb. 8, 1999**

[51] **LOC (7) Cl.** **02-07**

[52] **U.S. Cl.** **D11/220; D8/382**

[58] **Field of Search** D11/200, 205-220, D11/231; D8/382, 349, 688; 292/251.5; 63/29.2; 335/285; 244/65.5; 24/94, 303, 688; D3/324

[56] **References Cited**

U.S. PATENT DOCUMENTS

D. 247,467	3/1978	Morita	D8/231
D. 403,952	1/1999	Podell	D8/382
D. 404,997	2/1999	Podell	D11/220
4,453,294	6/1984	Morita	24/303

Primary Examiner—Ralf Seifert
Attorney, Agent, or Firm—Alix, Yale & Ristas, LLP

[57] **CLAIM**

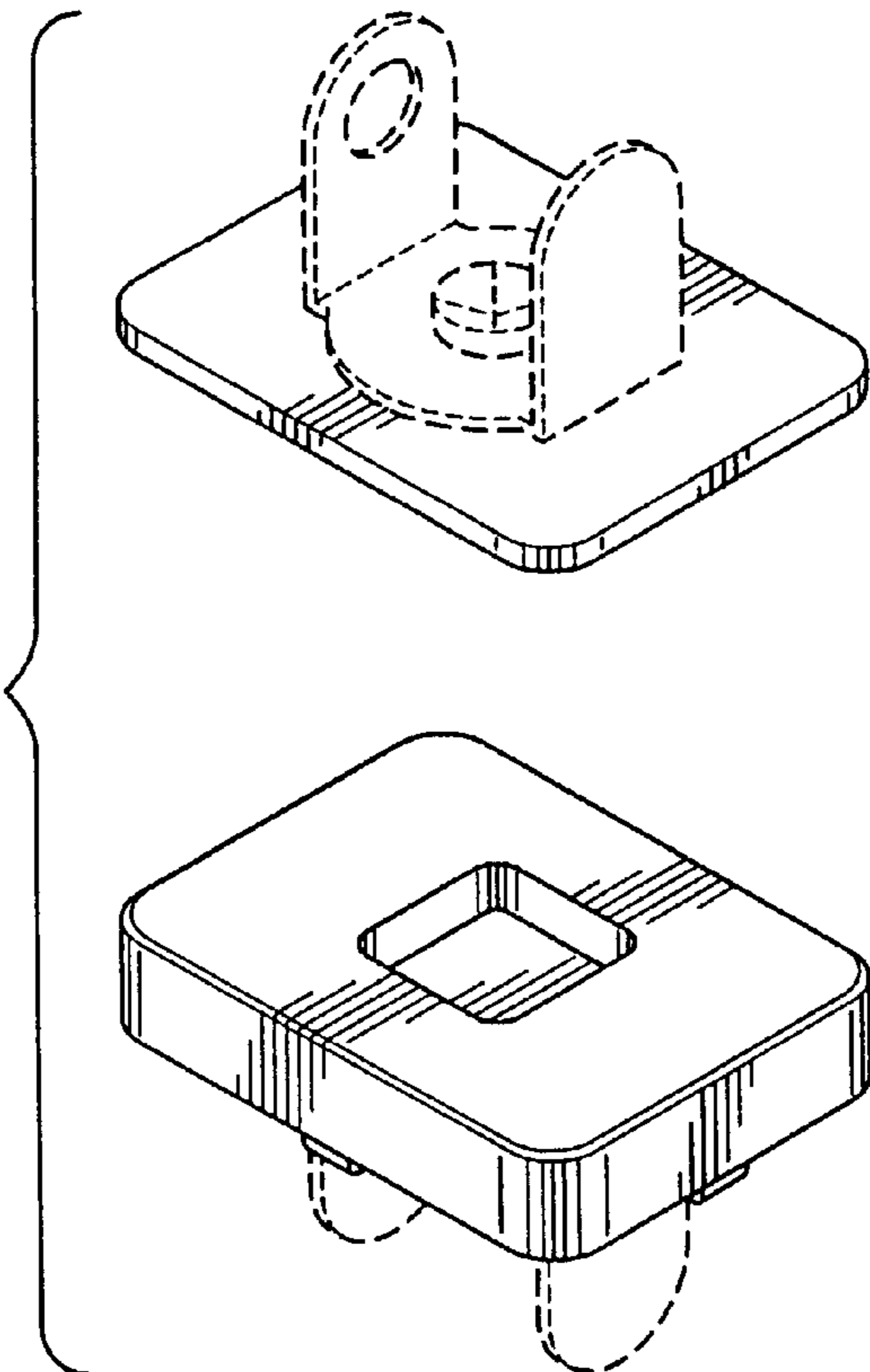
The ornamental design for a magnetic clasp for handbag, as shown and described.

DESCRIPTION

FIG. 1 is a front perspective view from above of the magnetic clasp for handbag showing my new design; FIG. 2 is a front perspective view from above of the magnetic clasp for handbag of FIG. 1 showing the clasp in separated form; FIG. 3 is a front perspective view from below of the magnetic clasp for handbag of FIG. 1; FIG. 4 is a front perspective view from below of the magnetic clasp for handbag of FIG. 1 showing the clasp in separated form; FIG. 5 is a front view of the magnetic clasp for handbag of FIG. 1; FIG. 6 is a rear view of the magnetic clasp for handbag of FIG. 1; FIG. 7 is a left side view of the magnetic clasp for handbag of FIG. 1; FIG. 8 is a right side view of the magnetic clasp for handbag of FIG. 1; FIG. 9 is a top plan view of the magnetic clasp for handbag of FIG. 1; and, FIG. 10 is a bottom plan view of the magnetic clasp for handbag of FIG. 1.

The portions shown in broken lines form no part of the ornamental design.

1 Claim, 2 Drawing Sheets



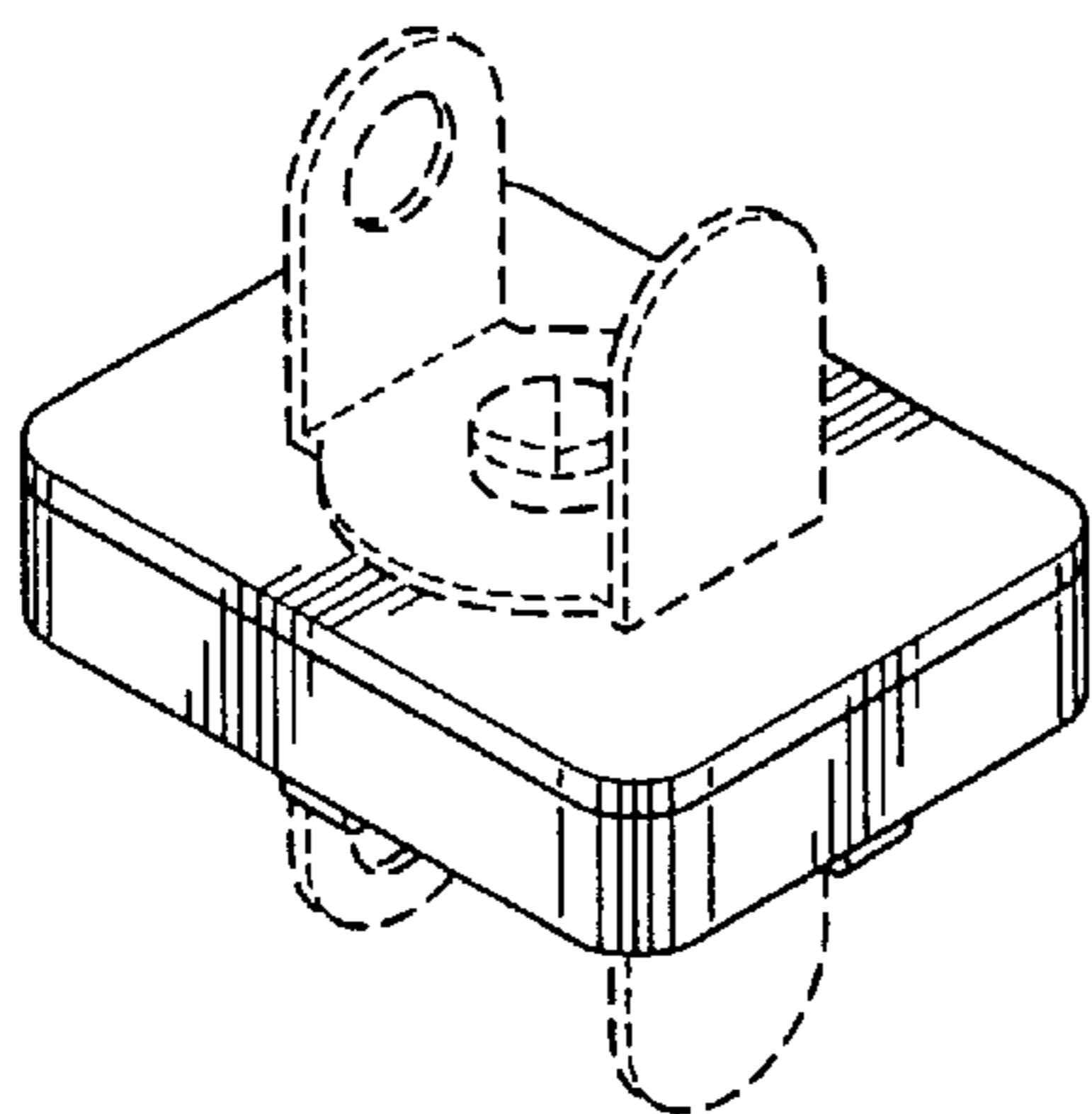


FIG. 1

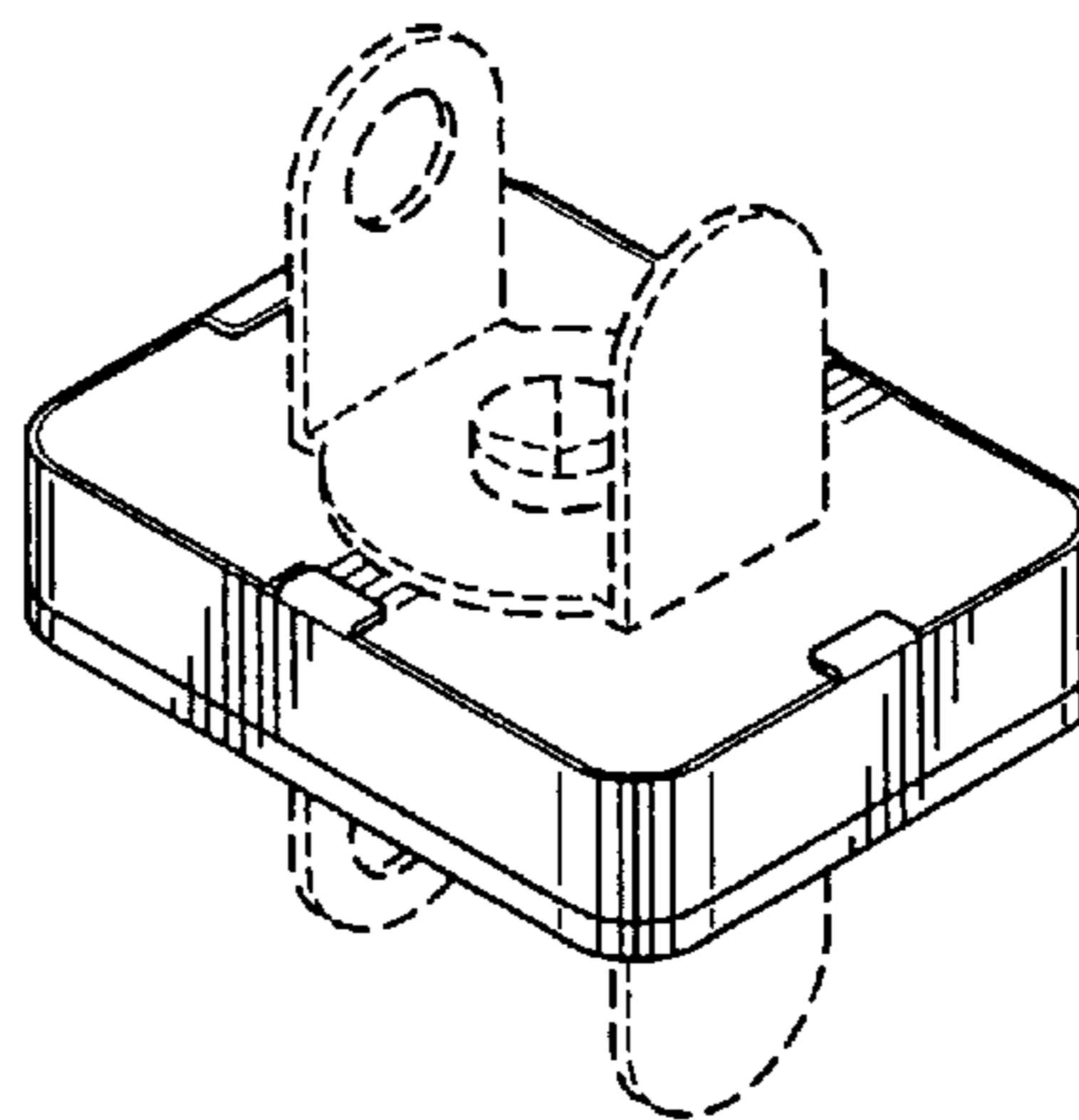


FIG. 3

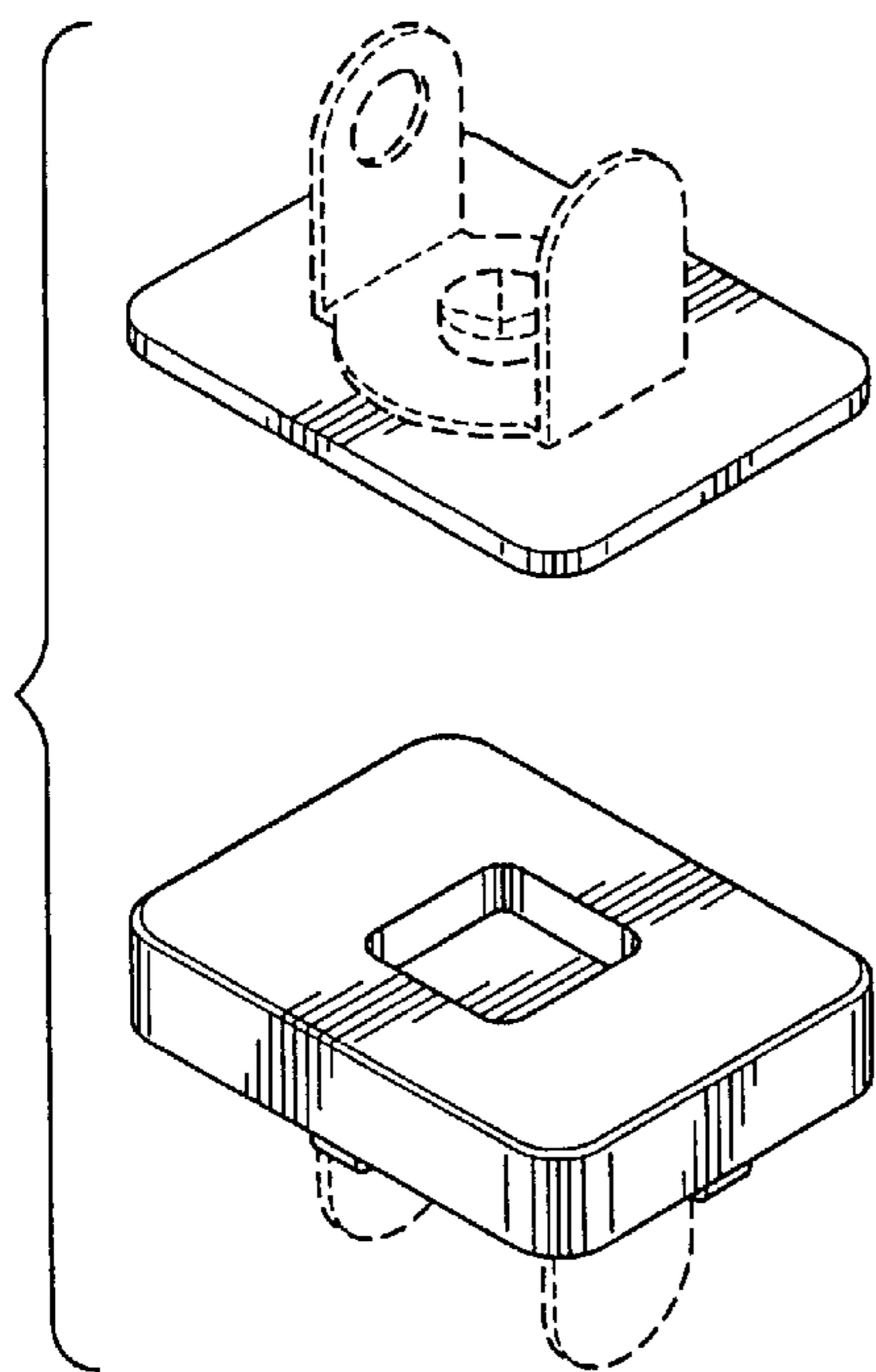


FIG. 2

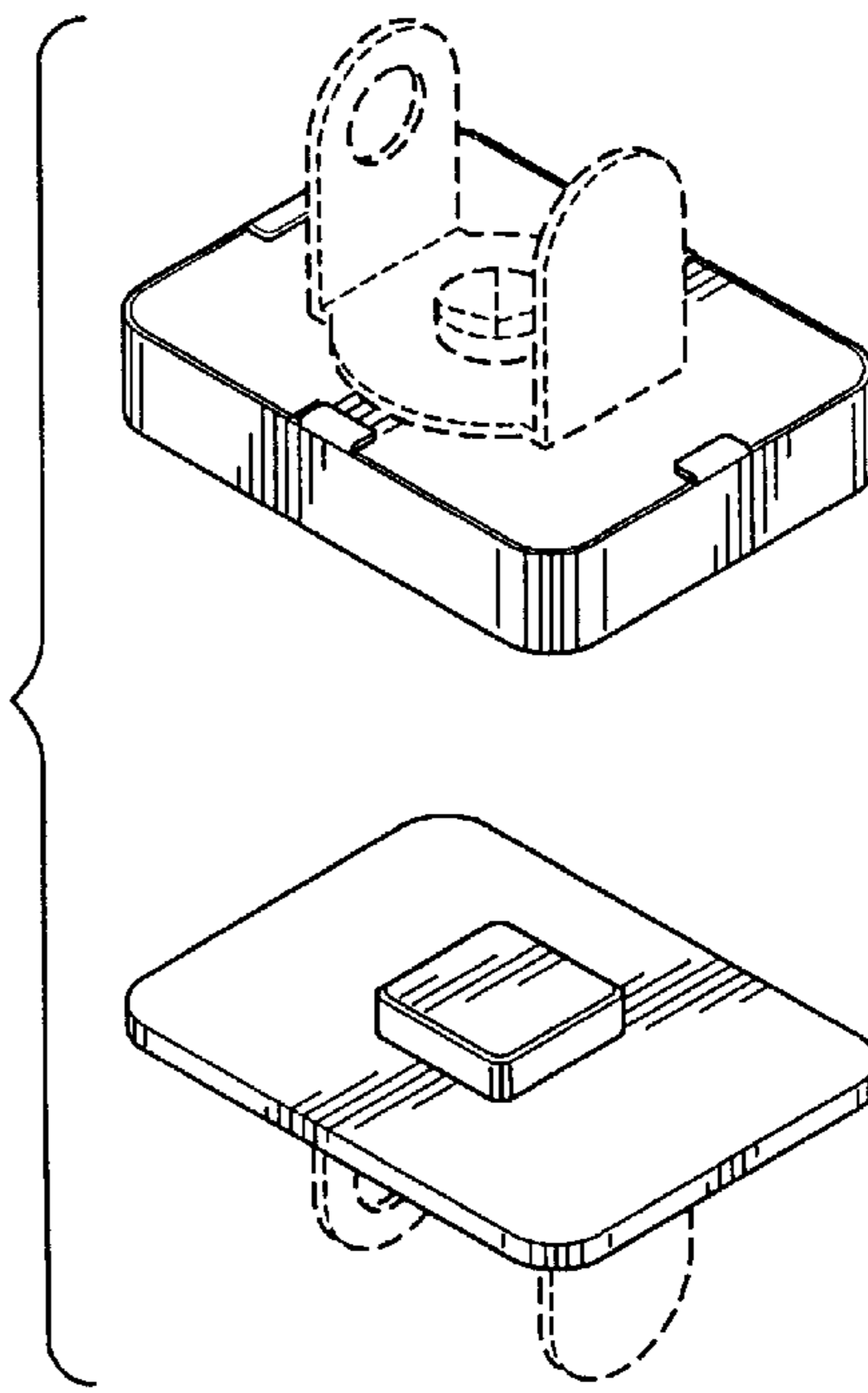


FIG. 4

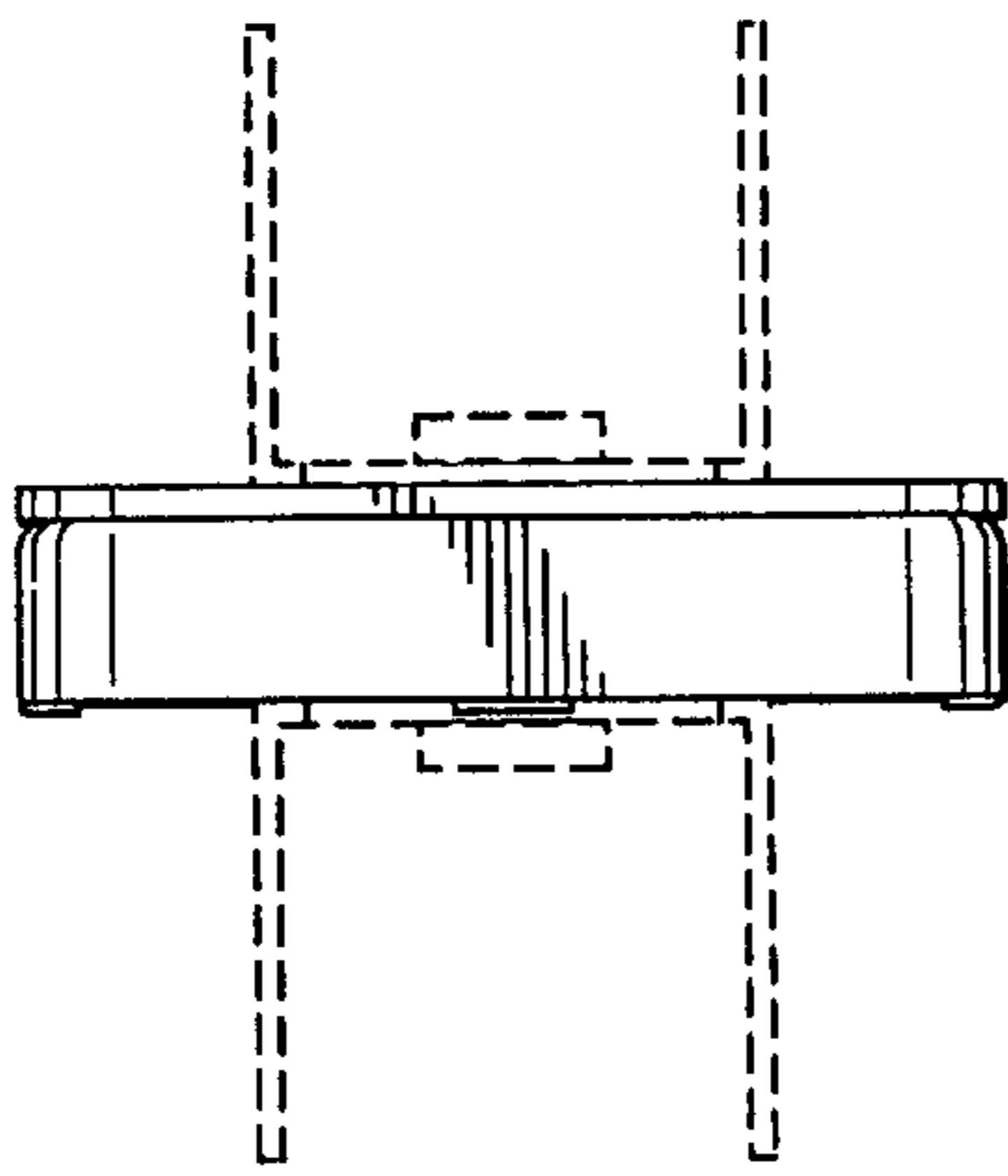


FIG. 5

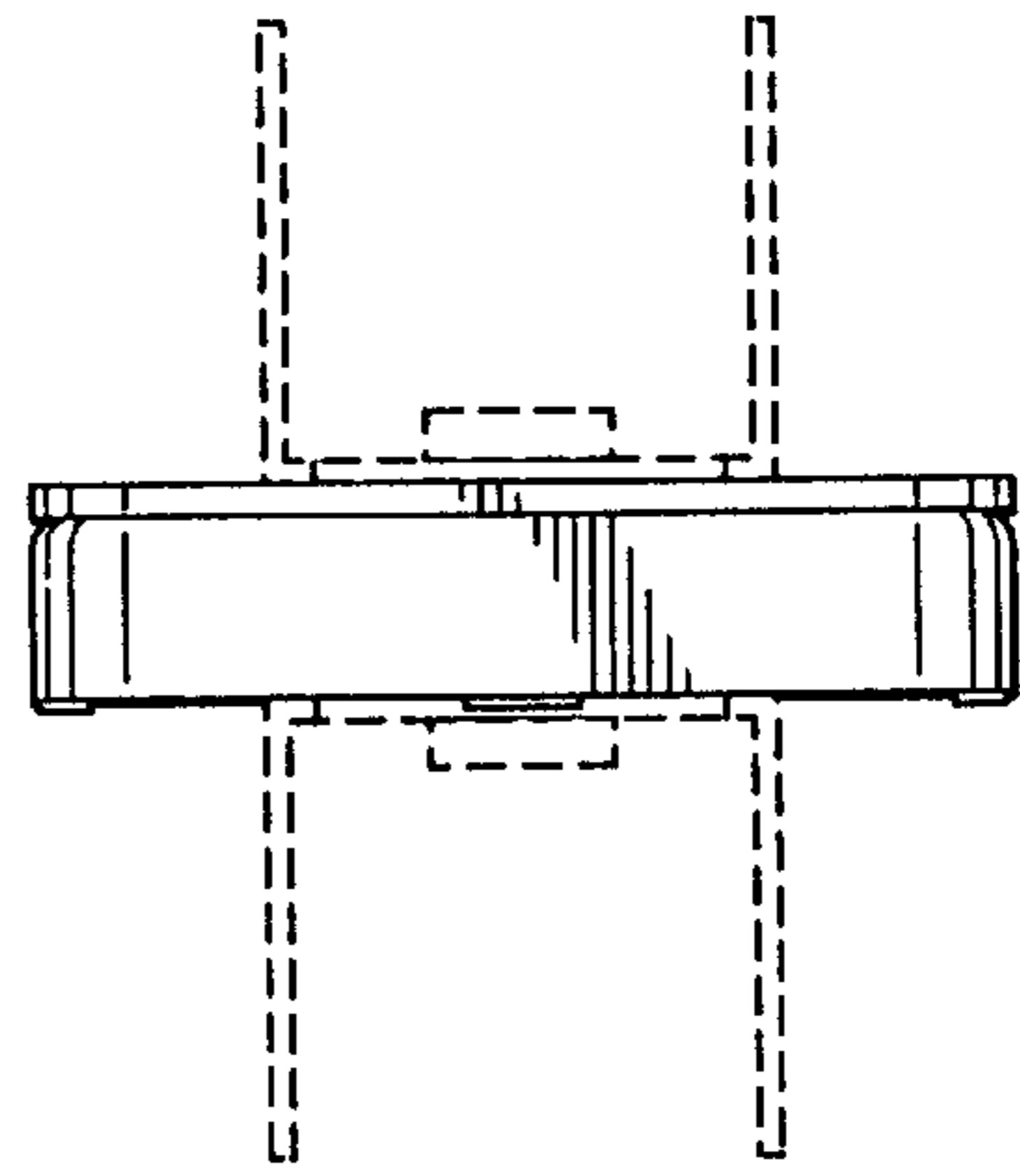


FIG. 6

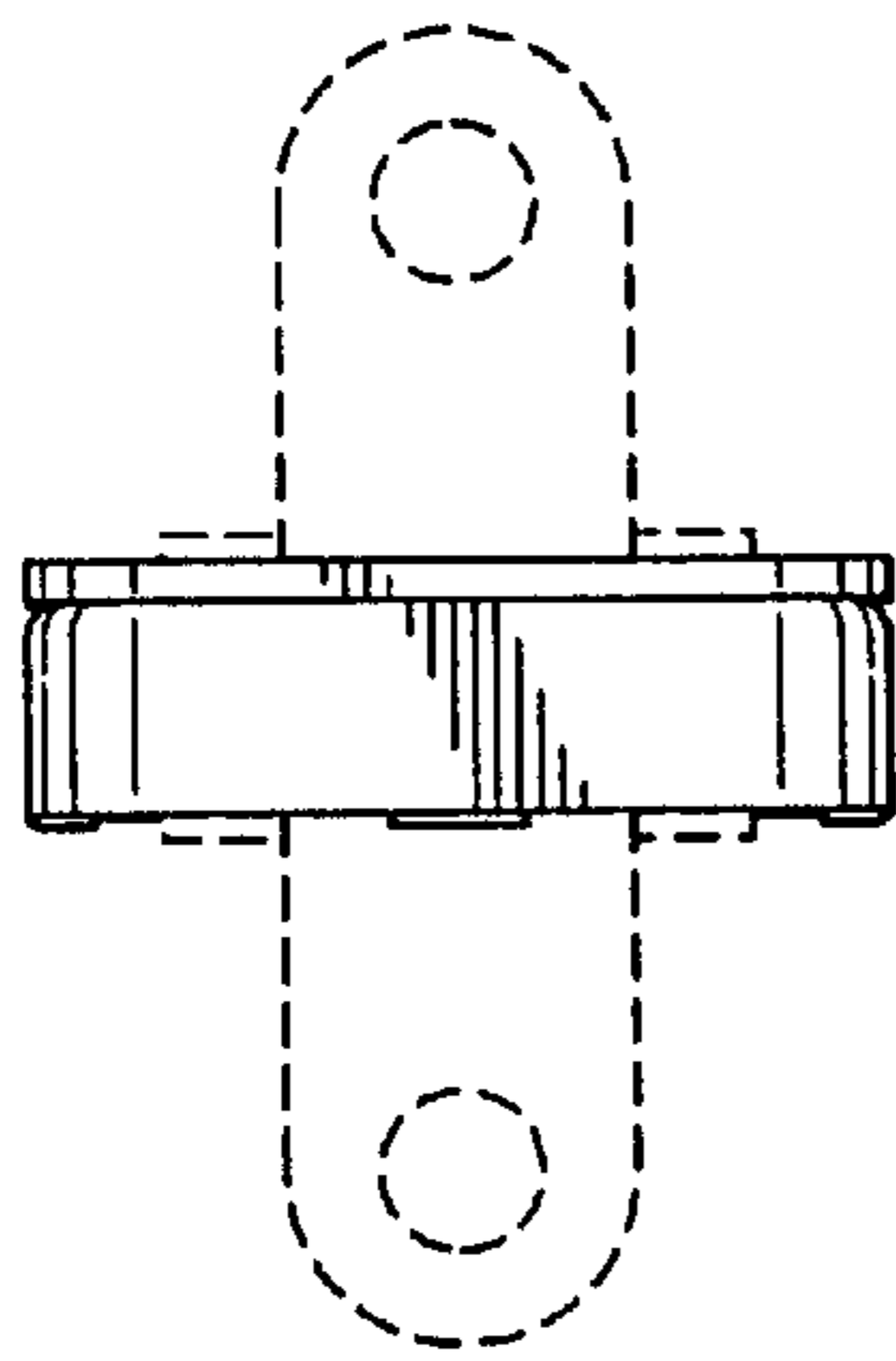


FIG. 7

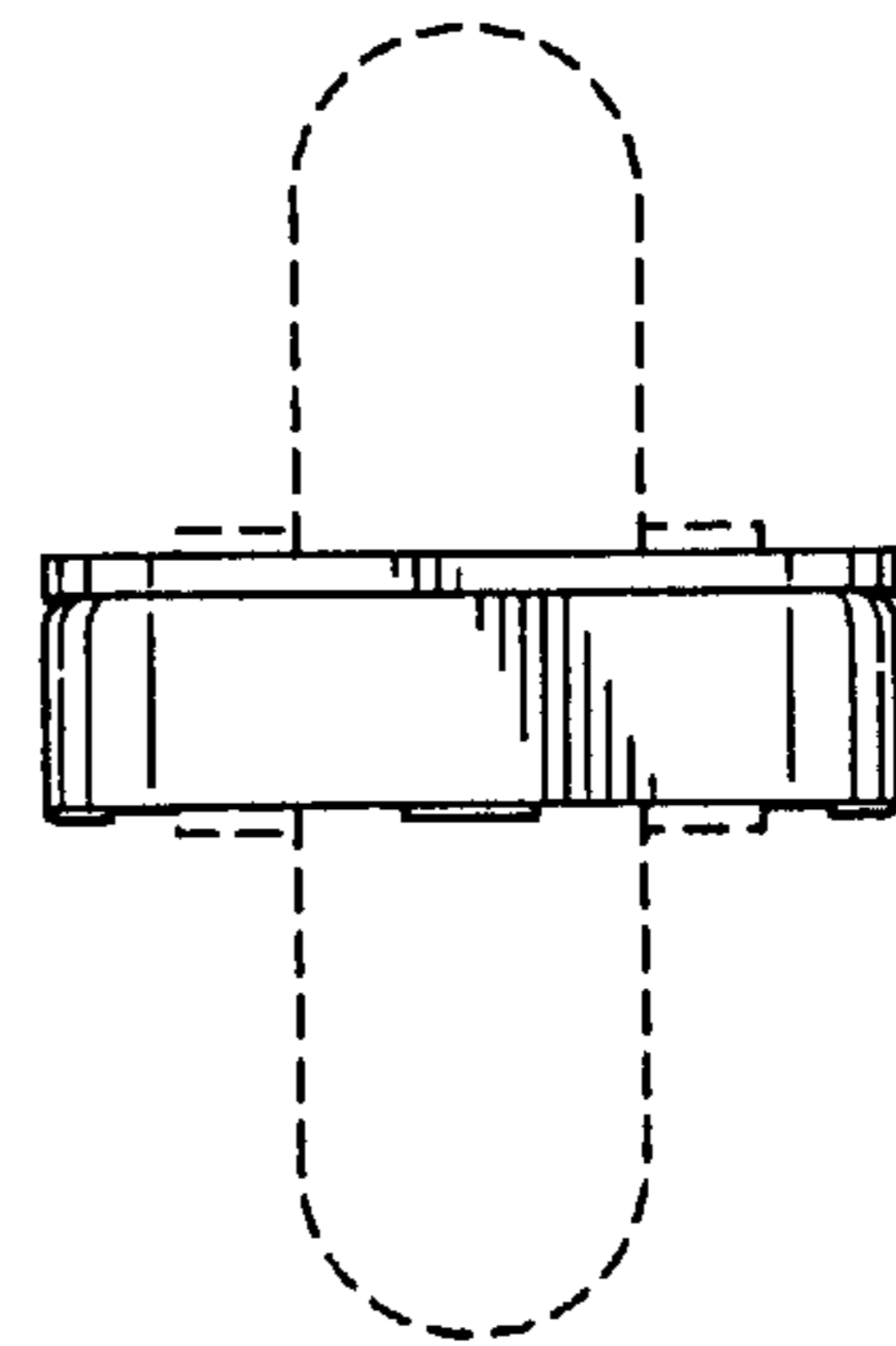


FIG. 8

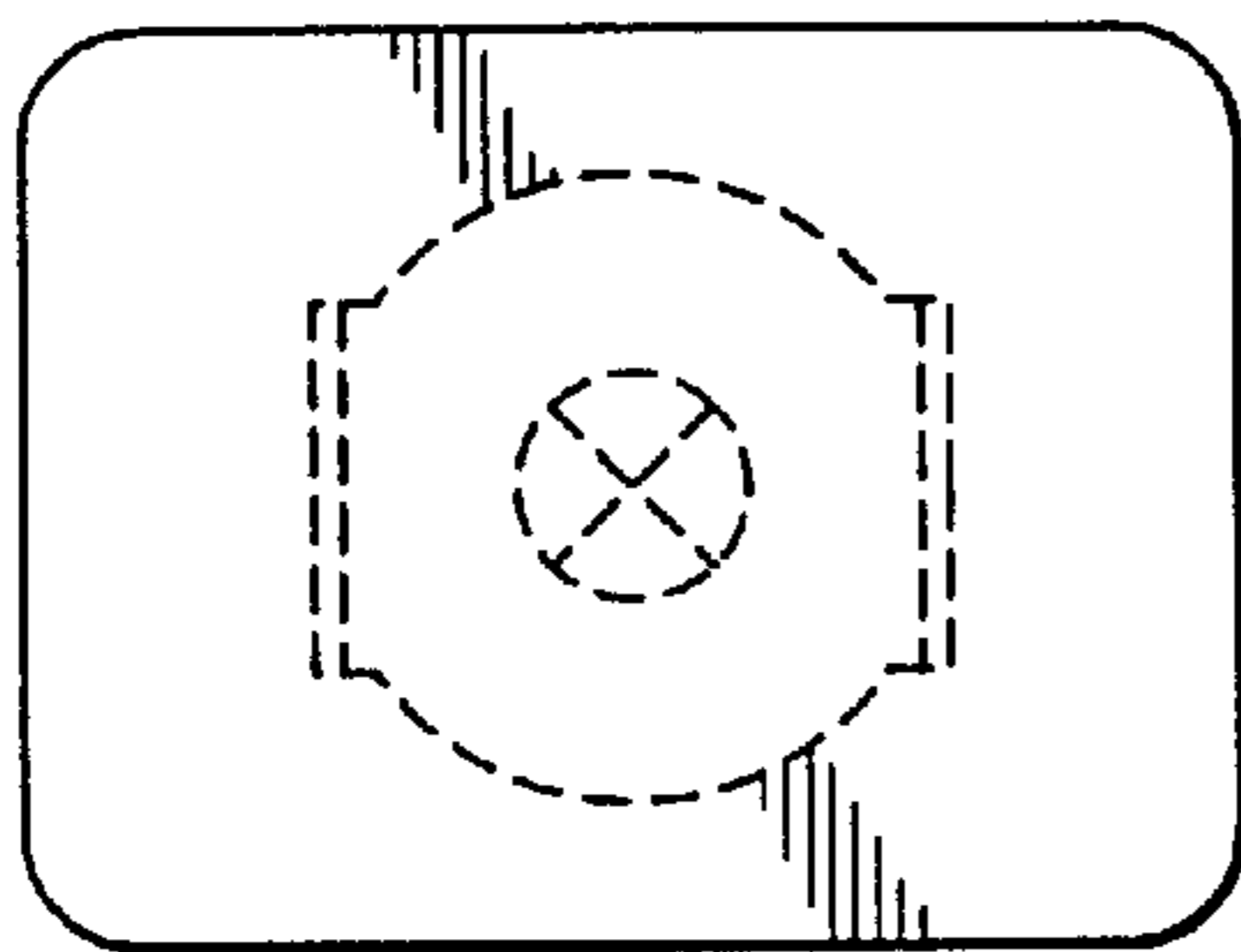


FIG. 9

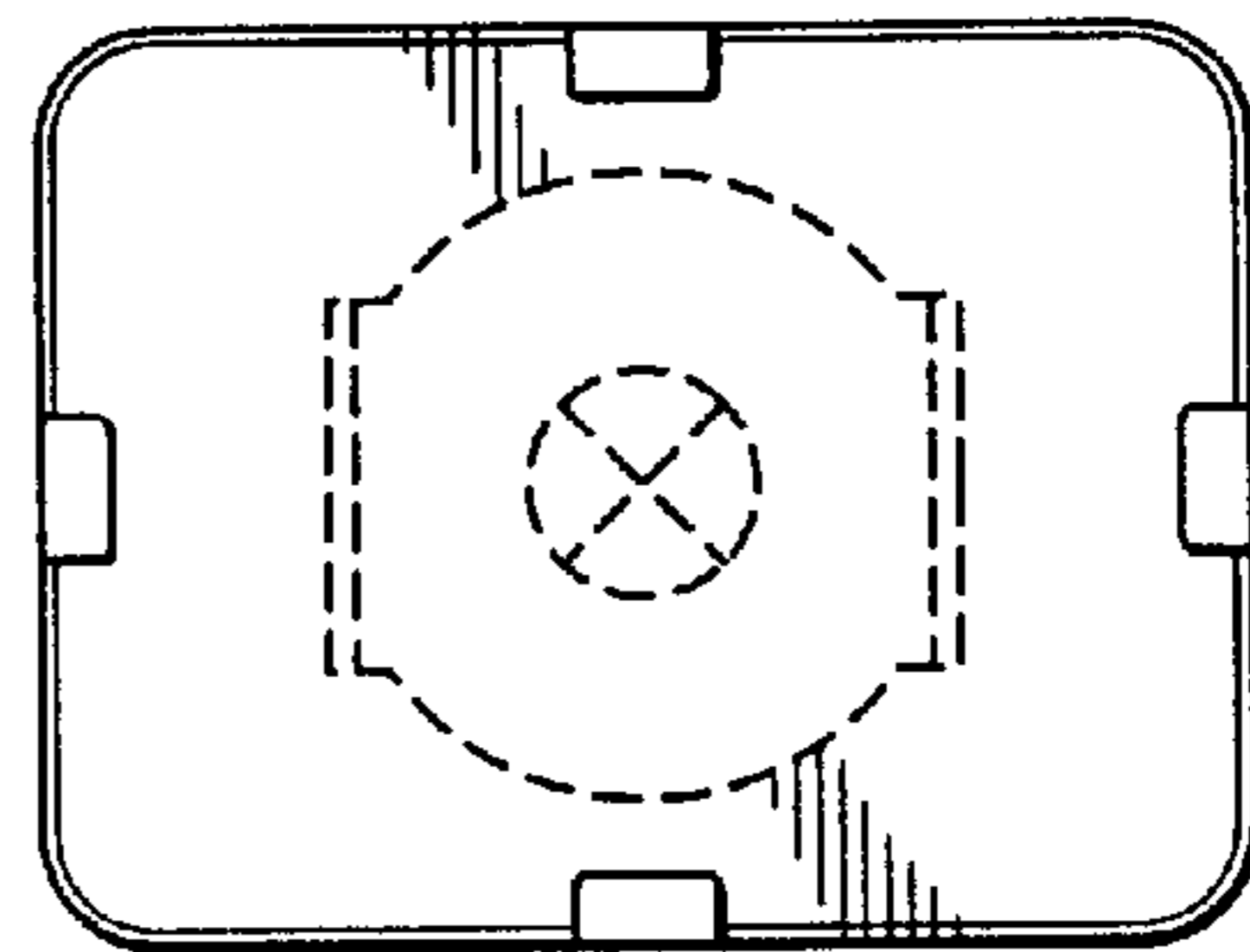


FIG. 10