



US00D426490S

United States Patent [19] Grosfillex

[11] **Patent Number: Des. 426,490**

[45] **Date of Patent: ** Jun. 13, 2000**

[54] **FLOWER POT**

[75] Inventor: **Raymond Grosfillex**, Oyonnax, France

[73] Assignee: **Grosfillex Sarl**, Oyonnax, France

[**] Term: **14 Years**

[21] Appl. No.: **29/093,539**

[22] Filed: **Sep. 14, 1998**

[30] **Foreign Application Priority Data**

Mar. 16, 1998 [XH] Hague Agreement DMA004043

[51] **LOC (7) Cl.** **11-02**

[52] **U.S. Cl.** **D11/155**

[58] **Field of Search** D11/143-156;
D6/403; D7/509, 560, 565; 47/39, 40, 41.01,
41.13, 44, 65.5, 68, 72, 73; 206/423; 248/27.8

[56] **References Cited**

U.S. PATENT DOCUMENTS

D. 415,065 10/1999 Grosfillex D11/155

OTHER PUBLICATIONS

No. 16, 15, 15C -Square Planter, no page #, International Terra Cotta Inc., Jun. 1977.

06503, Basketweave Planter, no page 3, Earthly Delights, Inc., 1982.

K, Basketweave Planter, p. 29, Gardener's Eden Holiday, 1993.

Primary Examiner—Doris V. Coles

Assistant Examiner—Mimosa De

Attorney, Agent, or Firm—Dowell & Dowell, P. C.

[57] **CLAIM**

The ornamental design for a flower pot, as shown and described.

DESCRIPTION

FIG. 1 is a rear top perspective view of a flower pot showing my new design;

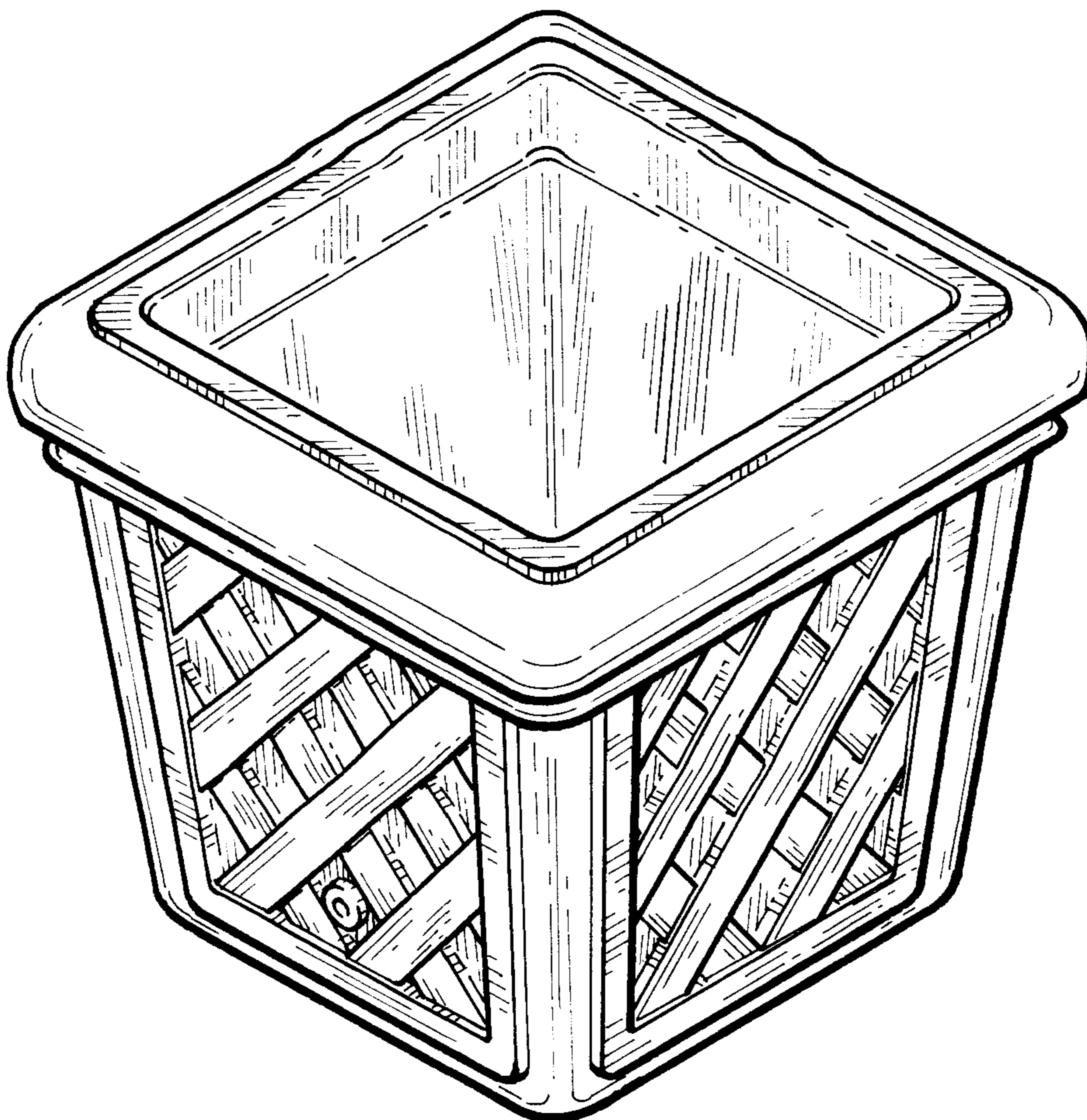
FIG. 2 is a rear elevational view;

FIG. 3 is a front elevational view, views from the left and right side being the same;

FIG. 4 is a top plan view; and,

FIG. 5 is a bottom plan view.

1 Claim, 2 Drawing Sheets



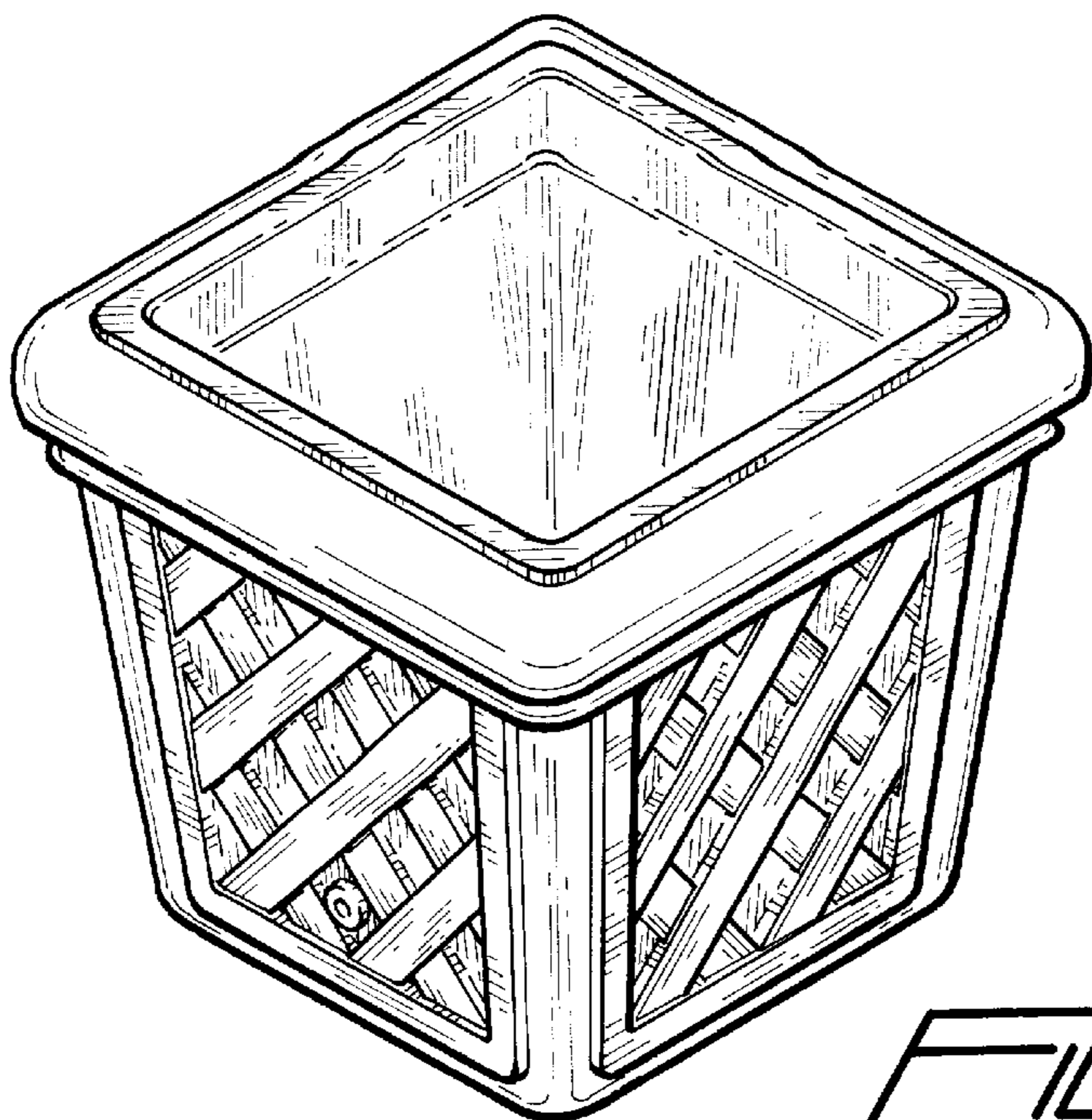


FIG. 1

FIG. 2

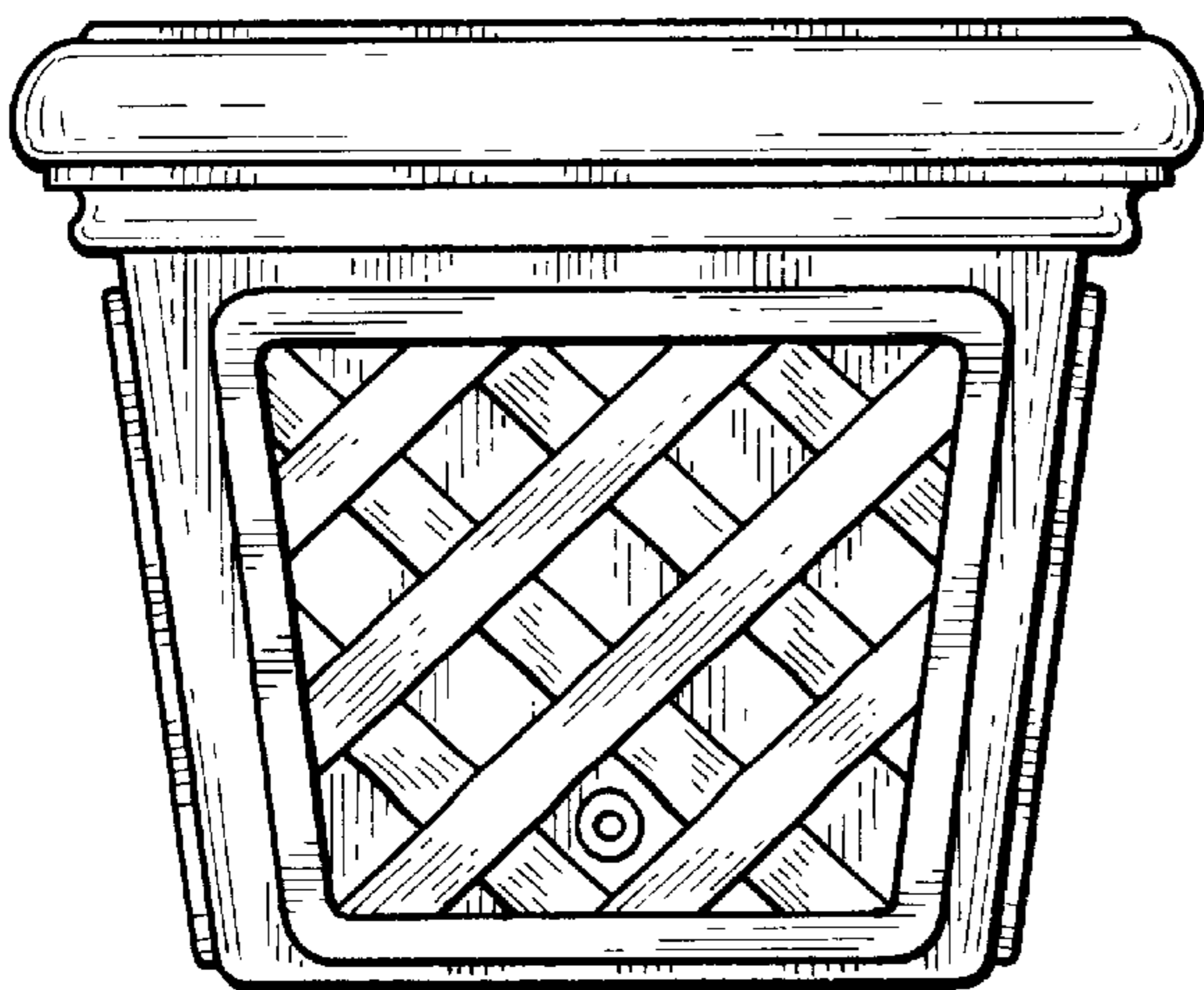
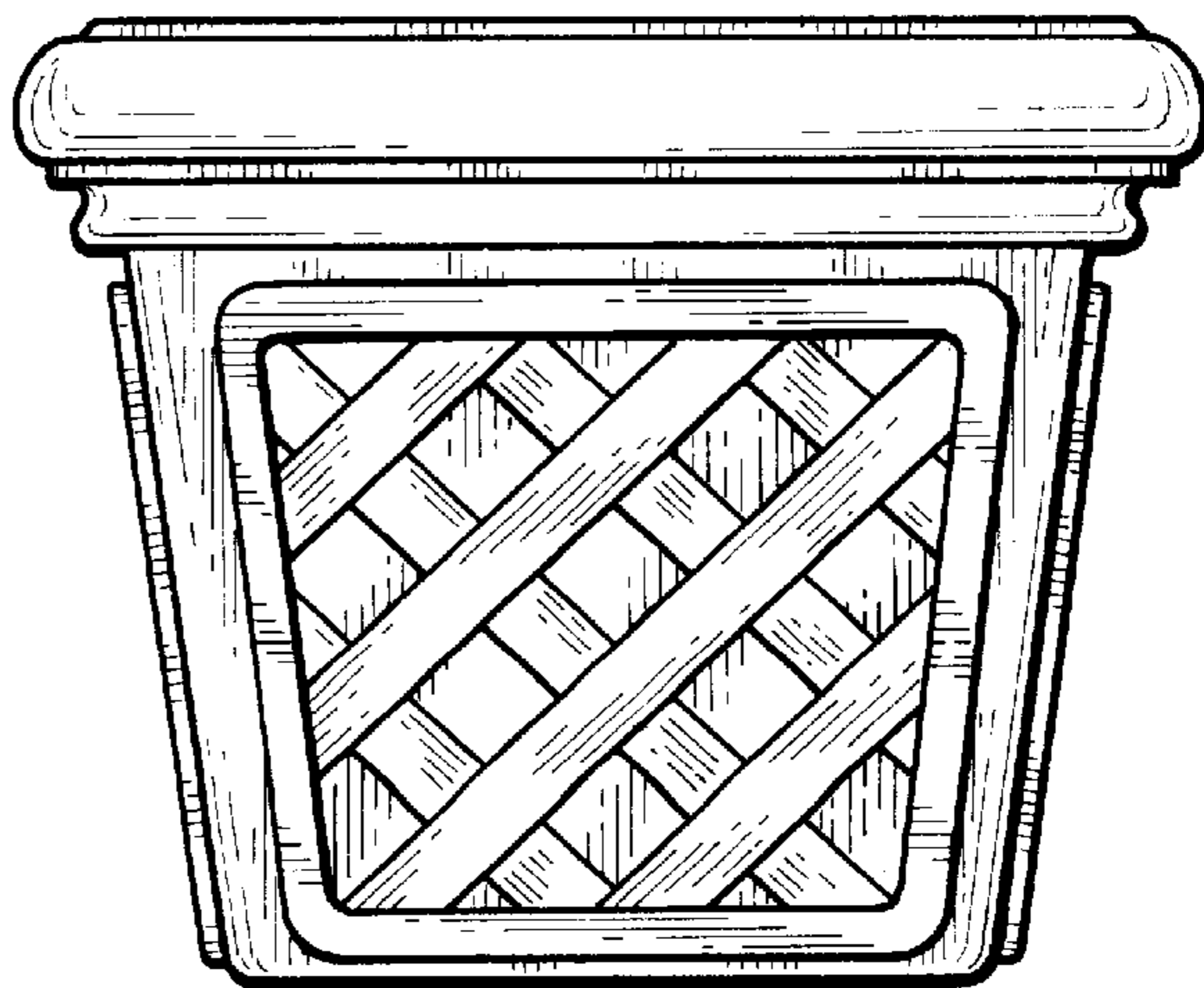


FIG. 3



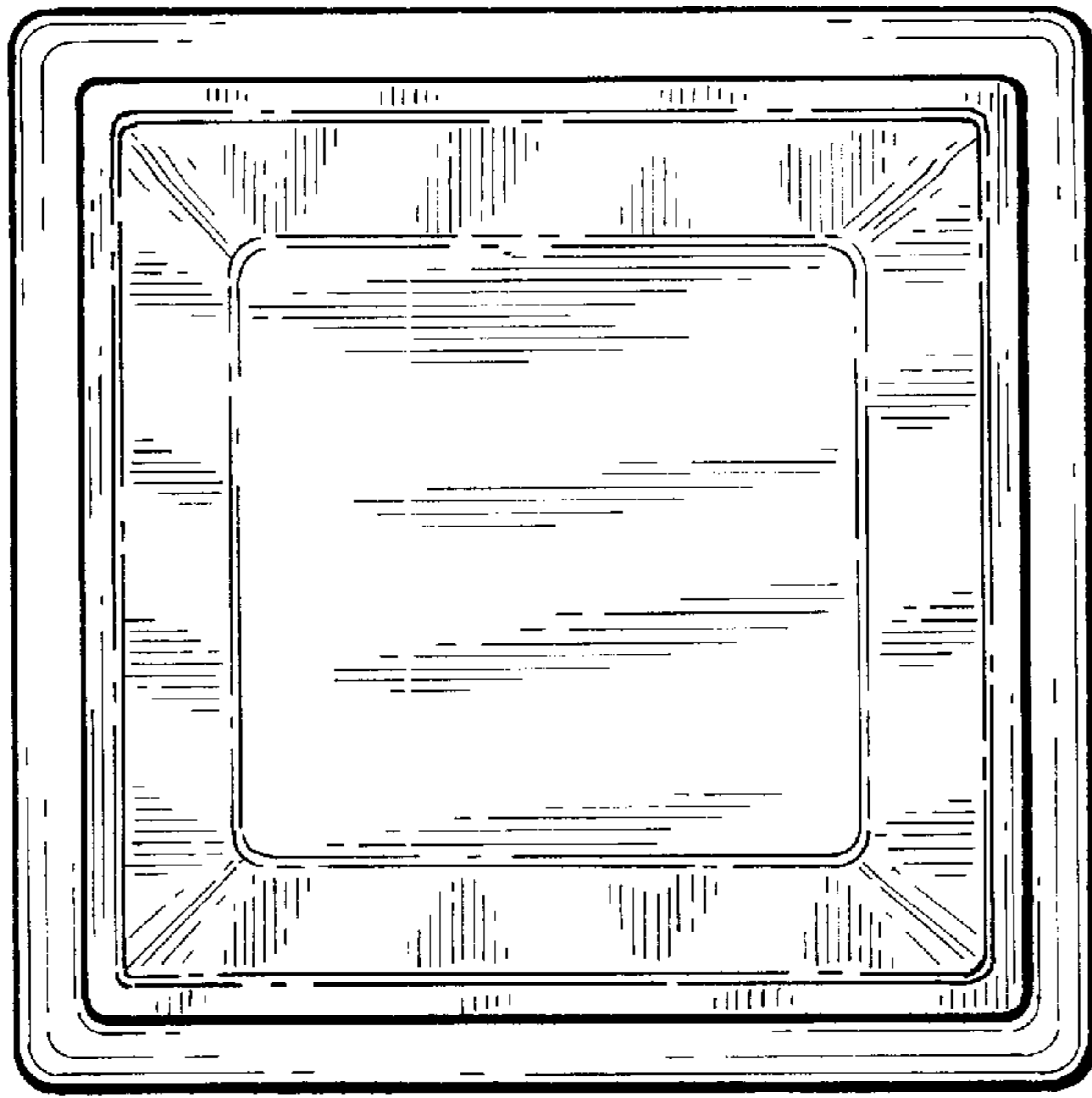


FIG. 4

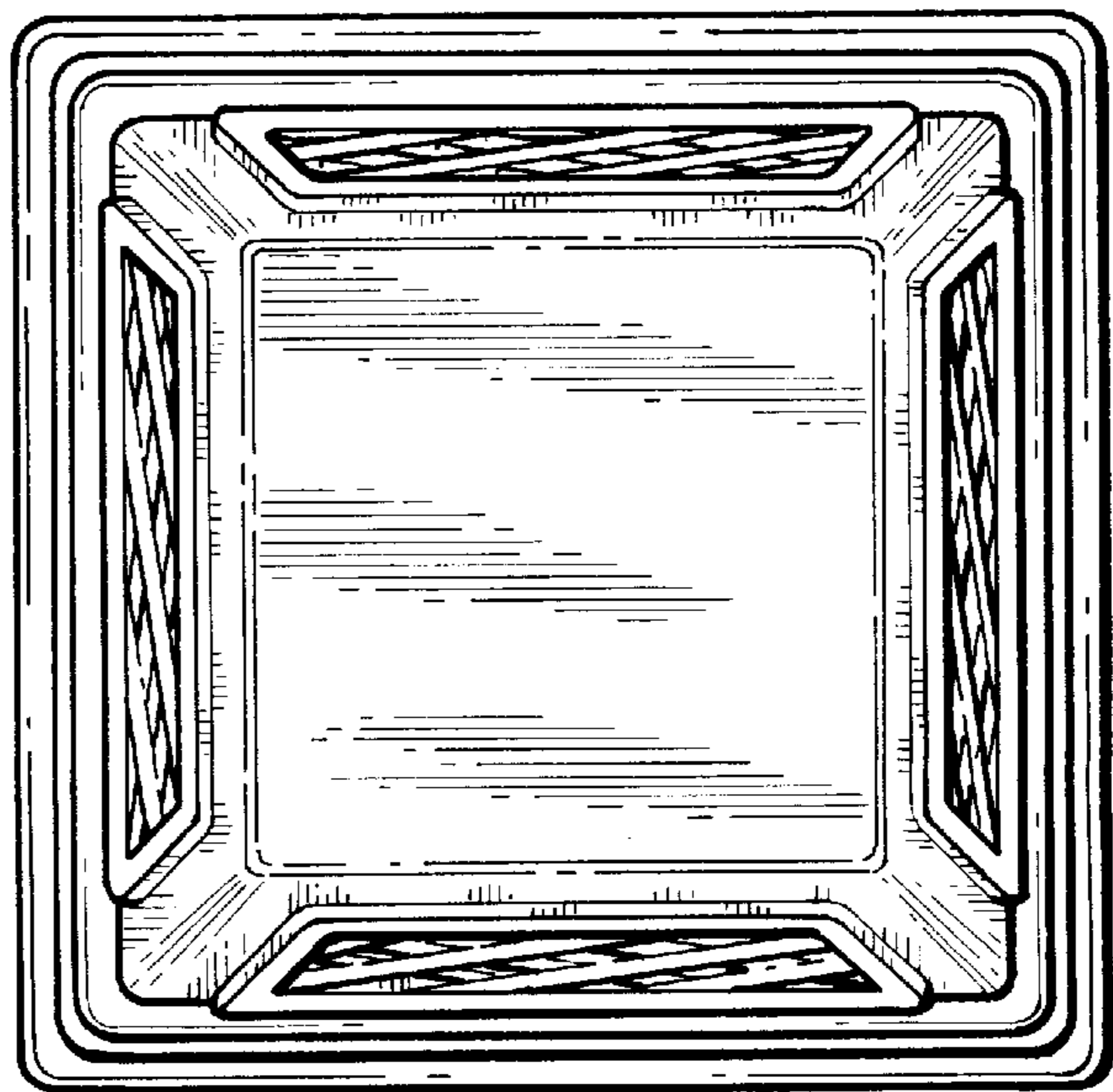


FIG. 5