



US00D426486S

United States Patent [19]

Kubo et al.

[11] **Patent Number: Des. 426,486**

[45] **Date of Patent: ** Jun. 13, 2000**

[54] **PORTION OF WATCH BAND**

[75] Inventors: **Tatsuya Kubo**, Iruma; **Akihiro Sugisawa**, Fussa, both of Japan

[73] Assignee: **Casio Keisanki Kabushiki Kaisha**, Tokyo, Japan

[**] Term: **14 Years**

[21] Appl. No.: **29/108,716**

[22] Filed: **Aug. 2, 1999**

[51] **LOC (7) Cl.** **11-01**

[52] **U.S. Cl.** **D11/1**

[58] **Field of Search** D11/1-5, 19-25, D11/93, 94, 200; 63/1.1, 2, 3-6; D10/30-38

[56] **References Cited**

U.S. PATENT DOCUMENTS

D. 324,193	2/1992	Wen-Long	D11/200
D. 382,828	8/1997	Houlihan	D11/3
D. 404,677	1/1999	Sayama	D11/5
D. 410,406	6/1999	Iwamoto et al.	D11/3

Primary Examiner—Ralf Seifert

Attorney, Agent, or Firm—Frishauf, Holtz, Goodman, Langer & Chick, P.C.

[57] **CLAIM**

The ornamental design for portion of watch band, as shown and described.

DESCRIPTION

FIG. 1 is a front elevational view of portion of watch band showing our new design;

FIG. 2 is a right side elevational view thereof;

FIG. 3 is a left side elevational view thereof;

FIG. 4 is a top plan view thereof;

FIG. 5 is a bottom plan view thereof;

FIG. 6 is a rear elevational view thereof;

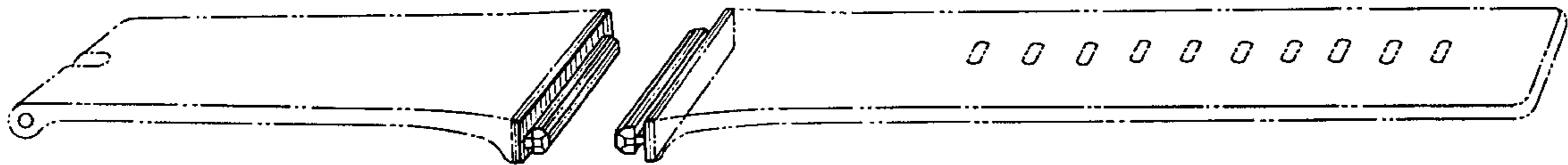
FIG. 7 is a perspective view thereof;

FIG. 8 is a front view thereof with one side viewed in the direction of the arrow A—A thereof; and,

FIG. 9 is a front view thereof with one side viewed in the direction of the arrow B—B thereof.

The broken line showing of the remaining parts of a portion of watch band is for illustrative purposes only and forms no part of the claimed design.

1 Claim, 2 Drawing Sheets



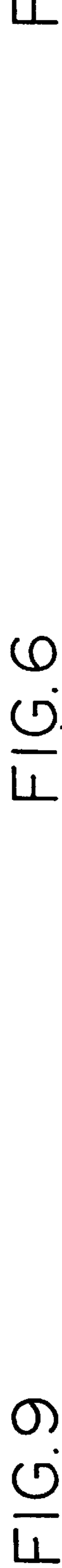
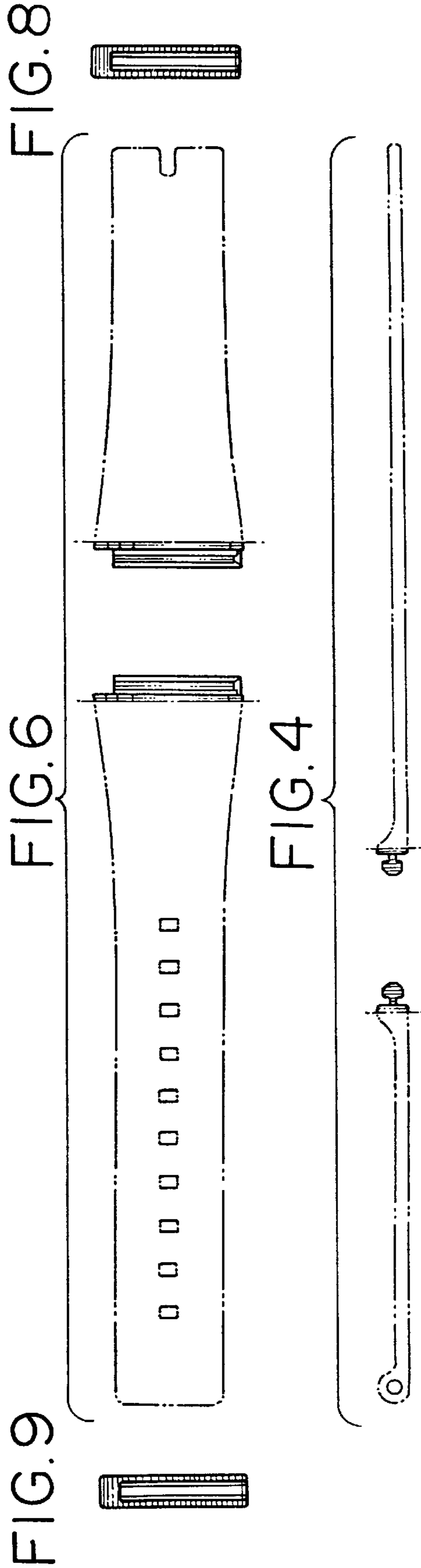
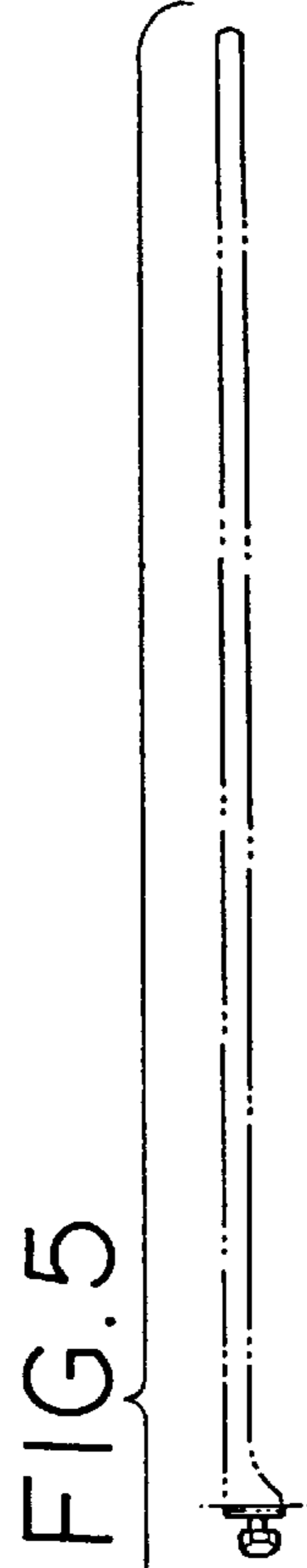
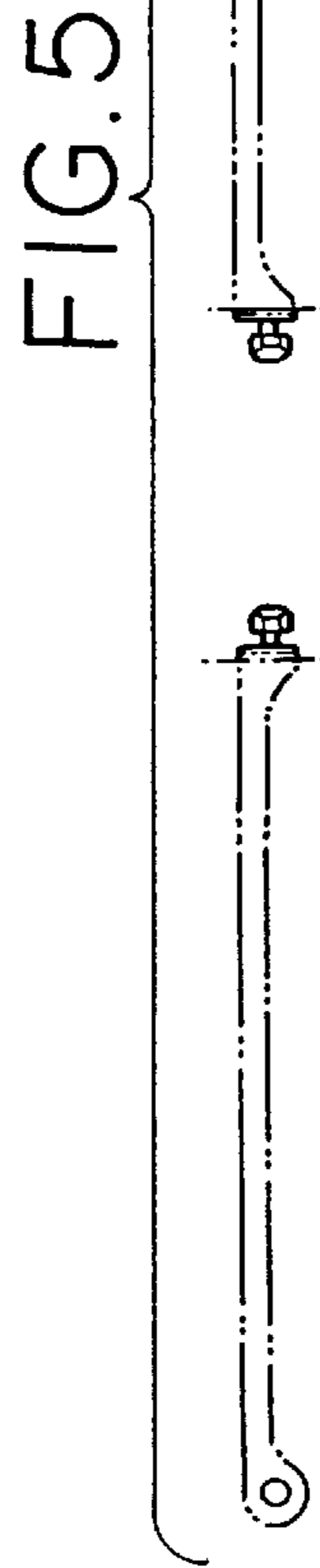
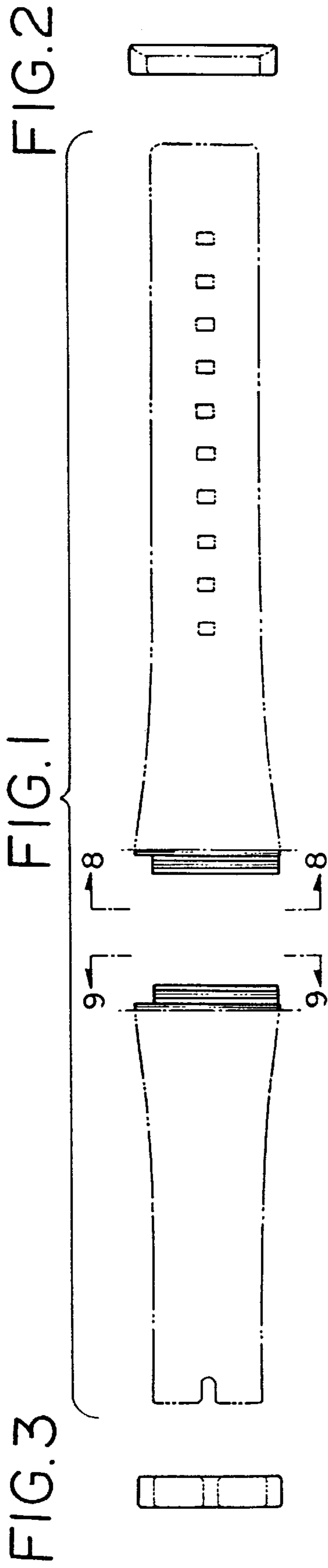


FIG. 7

