



US00D426484S

**United States Patent** [19]  
**Day**

[11] **Patent Number: Des. 426,484**

[45] **Date of Patent: \*\* Jun. 13, 2000**

[54] **GAME CALL**

D. 330,523 10/1992 Kellion ..... D10/119

[76] Inventor: **Milton A. Day**, 1100 Manor Dr.,  
Shreveport, La. 71118

*Primary Examiner*—Marcus A. Jackson

[\*\*] Term: **14 Years**

[57] **CLAIM**

The ornamental design for a game call, as shown and described.

[21] Appl. No.: **29/060,634**

[22] Filed: **Oct. 2, 1996**

**DESCRIPTION**

[51] **LOC (7) Cl.** ..... **10-05**

FIG. 1 is a perspective view of the game call, showing my new design;

[52] **U.S. Cl.** ..... **D10/119**

FIG. 2 is a top elevation of the game call;

[58] **Field of Search** ..... D10/104, 106,  
D10/116, 118, 119, 121; 116/137 R, 141,  
142 R, 146; 446/202, 204, 212, 213, 216

FIG. 3 is a front elevational view thereof, with the rear being a mirror image;

FIG. 4 is a bottom elevation thereof; and

[56] **References Cited**

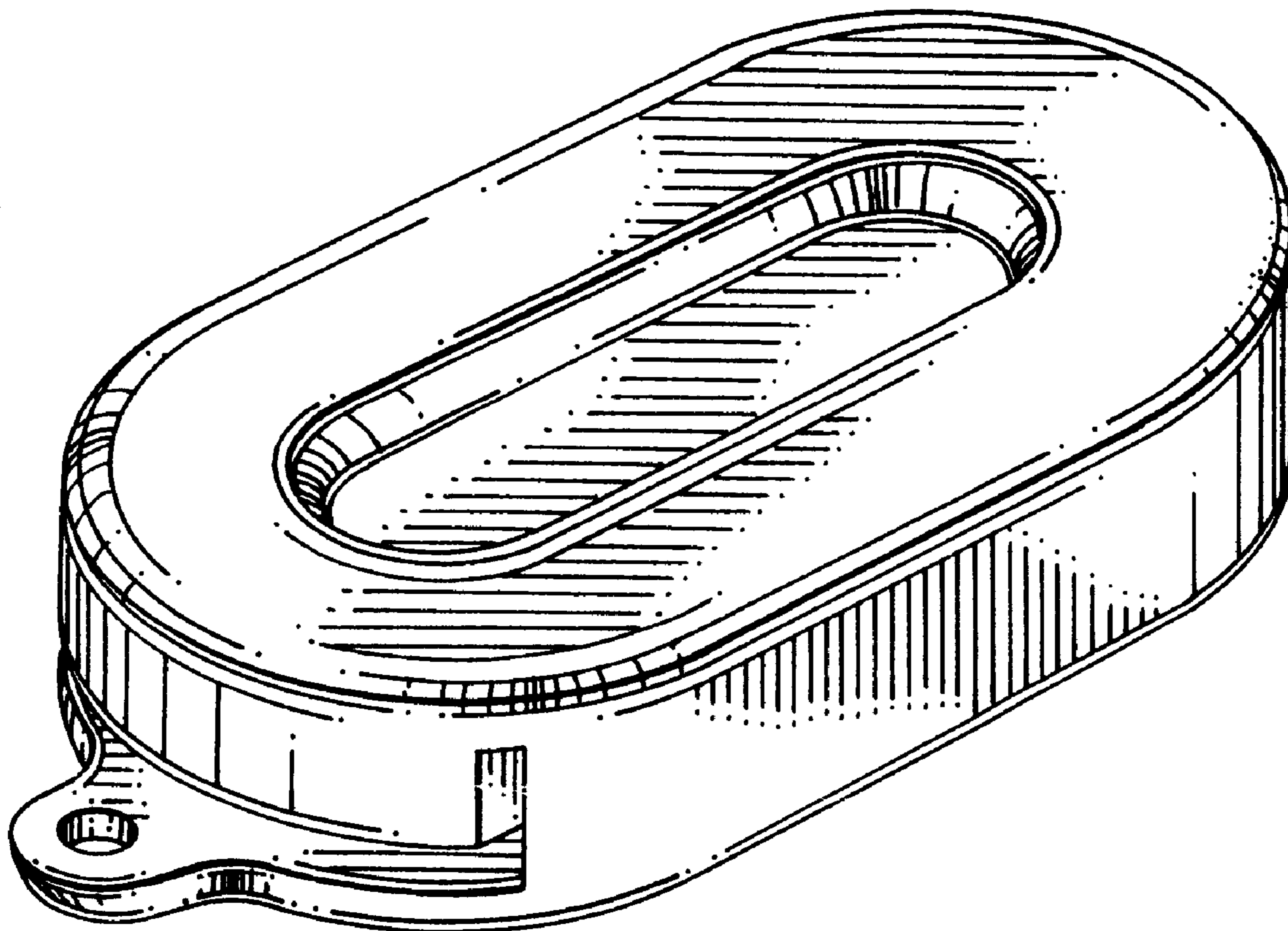
FIG. 5 is a right side elevational view thereof; and,

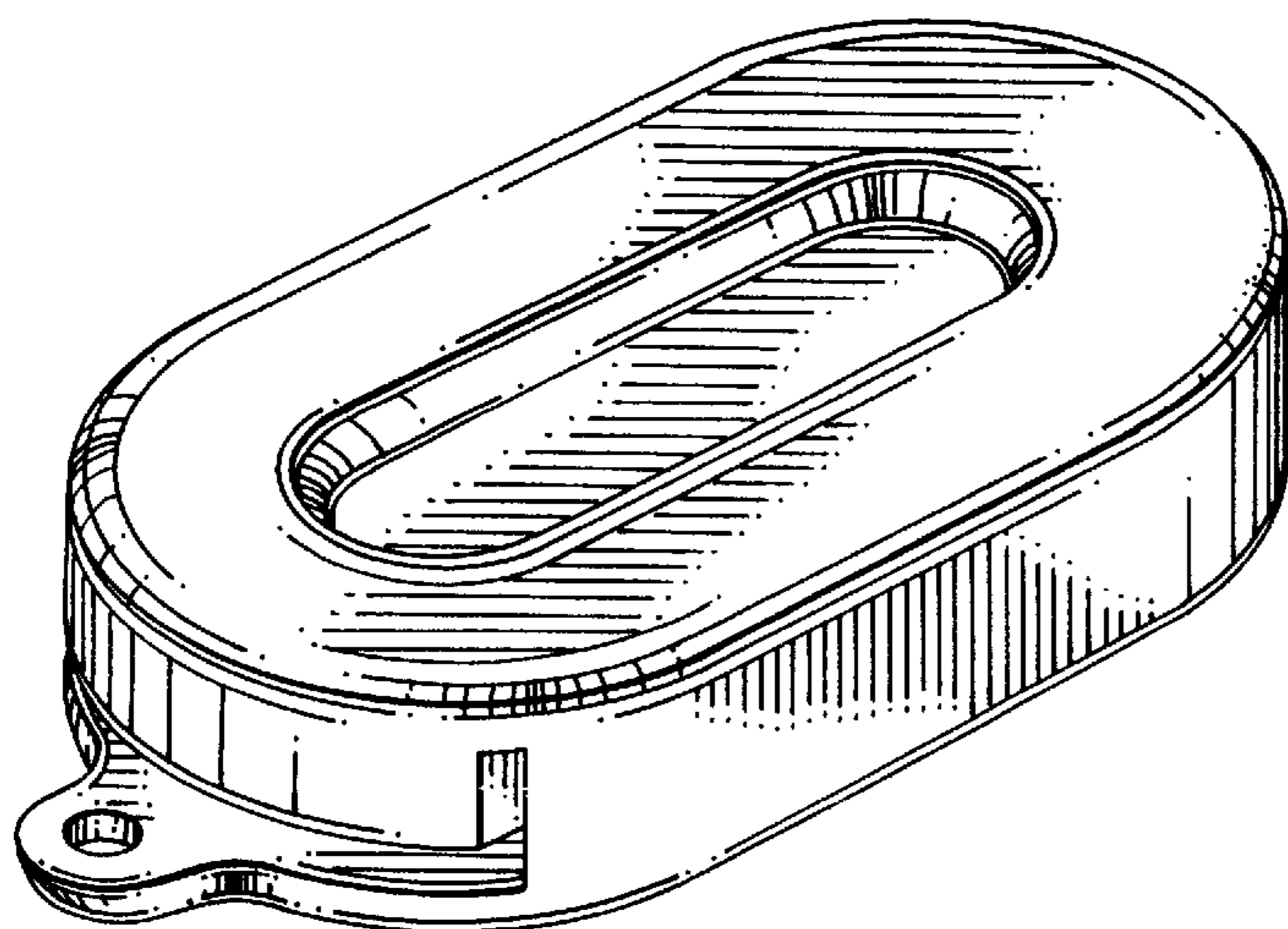
FIG. 6 is a left side elevational view thereof.

**U.S. PATENT DOCUMENTS**

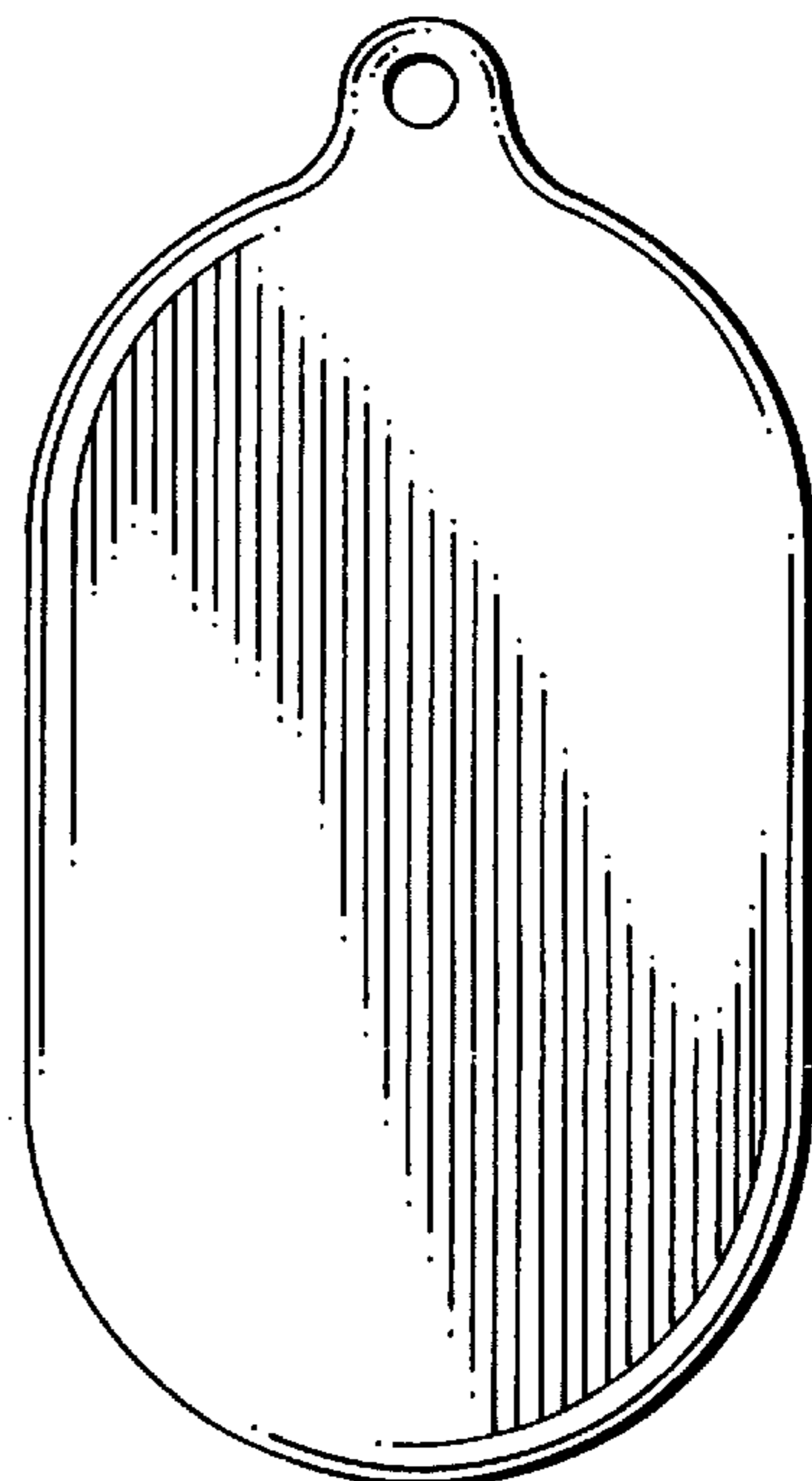
D. 313,768 1/1991 White, Jr. .... D10/119

**1 Claim, 1 Drawing Sheet**

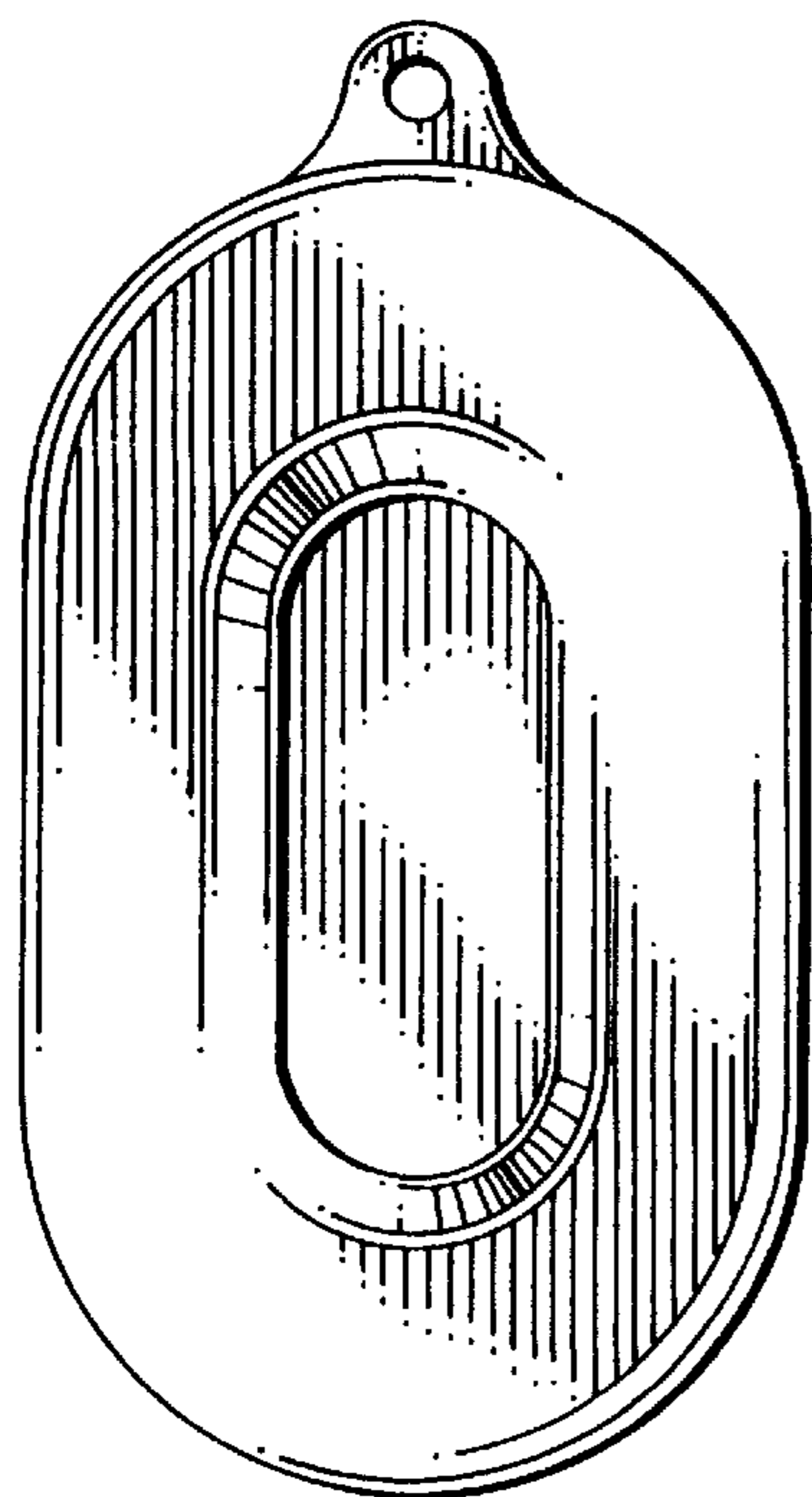




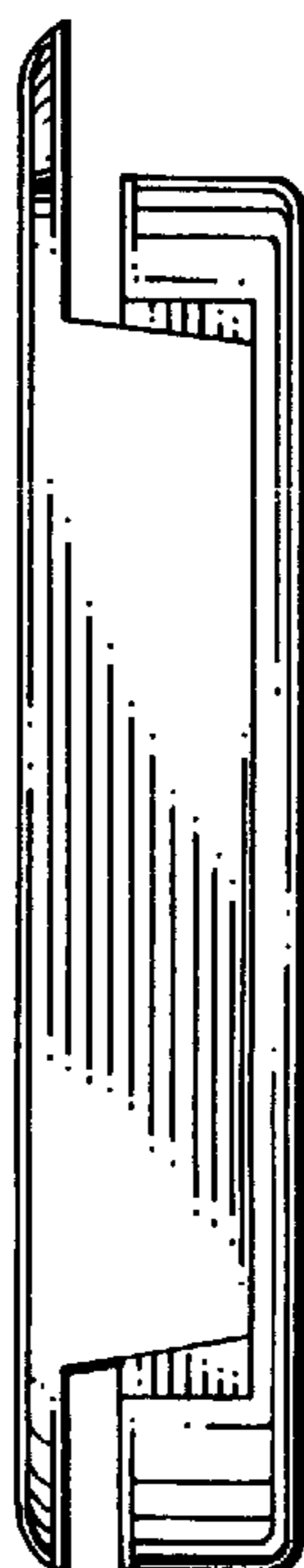
*FIG. 1*



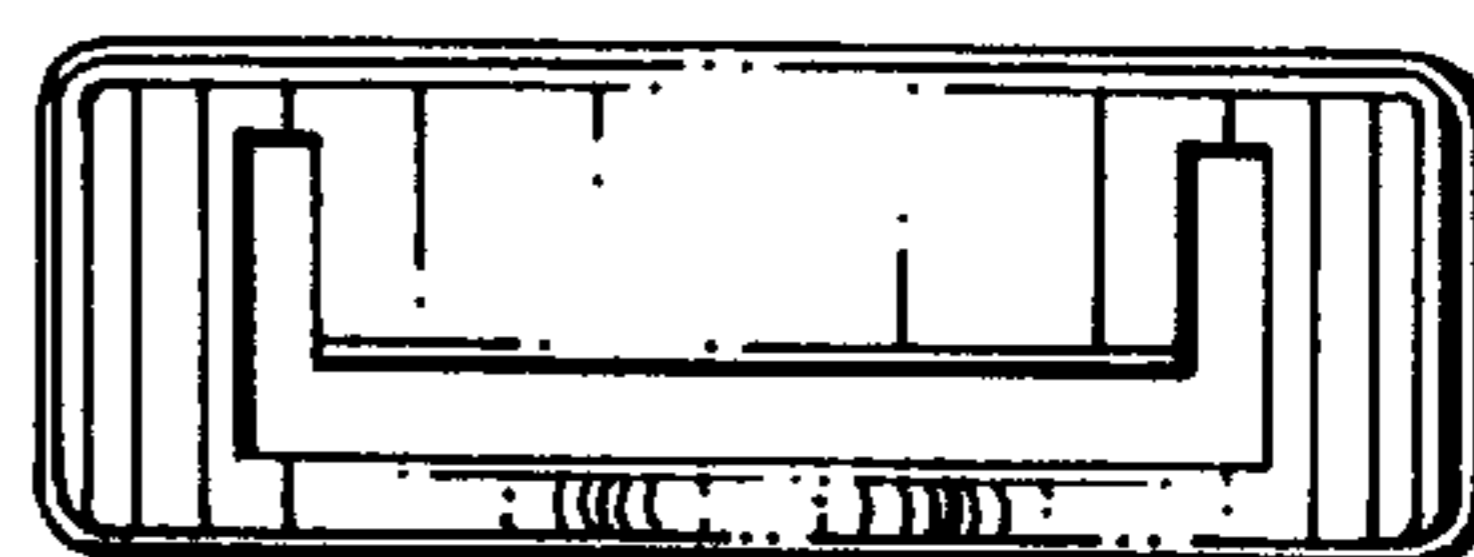
*FIG. 3*



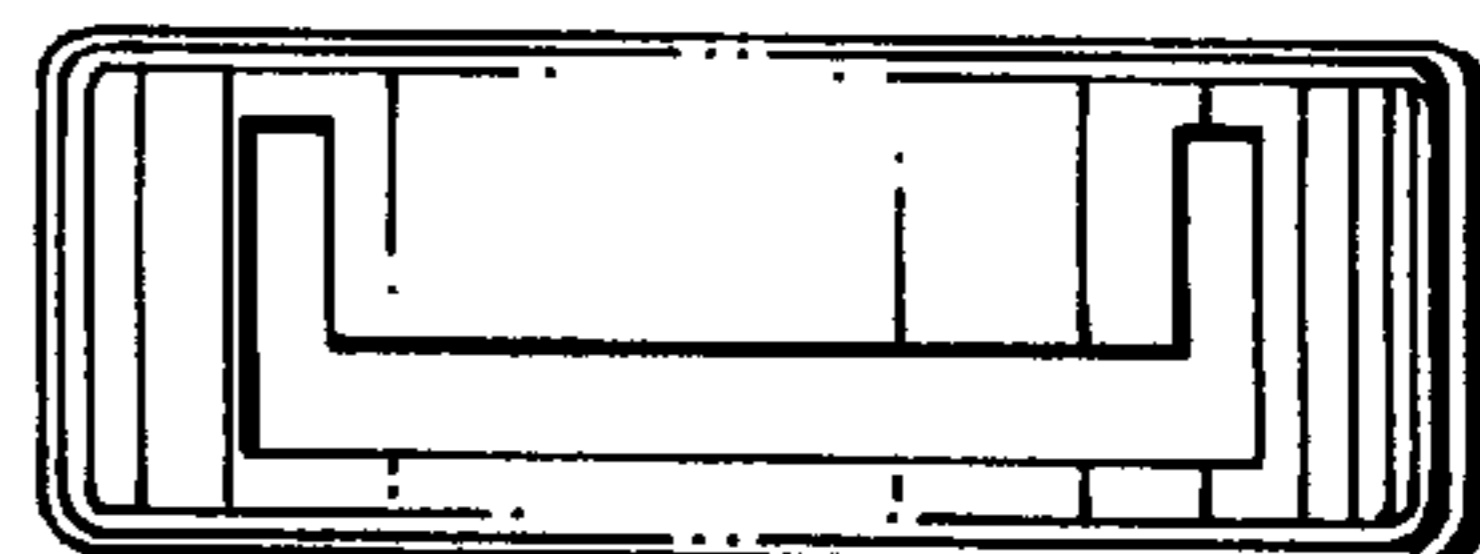
*FIG. 2*



*FIG. 4*



*FIG. 5*



*FIG. 6*