



US00D426479S

United States Patent [19]

[11] **Patent Number: Des. 426,479**

Gerlach et al.

[45] **Date of Patent: ** Jun. 13, 2000**

[54] **KITCHEN SCALE**

[57] **CLAIM**

[75] Inventors: **Thomas Gerlach**, Nagold; **Günter Horntrich**, Pforzheim, both of Germany

The ornamental design for a kitchen scale, as shown and described.

[73] Assignee: **Soehnle AG**, Montlingen, Switzerland

DESCRIPTION

[**] Term: **14 Years**

FIG. 1 is a top perspective view of a kitchen scale according to the present invention;

[21] Appl. No.: **29/107,354**

FIG. 2 is a left side elevation view of the kitchen scale of FIG. 1;

[22] Filed: **Jul. 7, 1999**

FIG. 3 is a right side elevation view of the kitchen scale of FIG. 1-2;

[51] **LOC (7) Cl.** **10-04**

FIG. 4 is a rear perspective elevation view of the kitchen scale of FIG. 1-3;

[52] **U.S. Cl.** **D10/91**

FIG. 5 is a rear elevation view of the kitchen scale of FIG. 1-4;

[58] **Field of Search** D10/91; 177/238-245

FIG. 6 is a front elevation view of the kitchen scale of FIG. 1-5;

[56] **References Cited**

U.S. PATENT DOCUMENTS

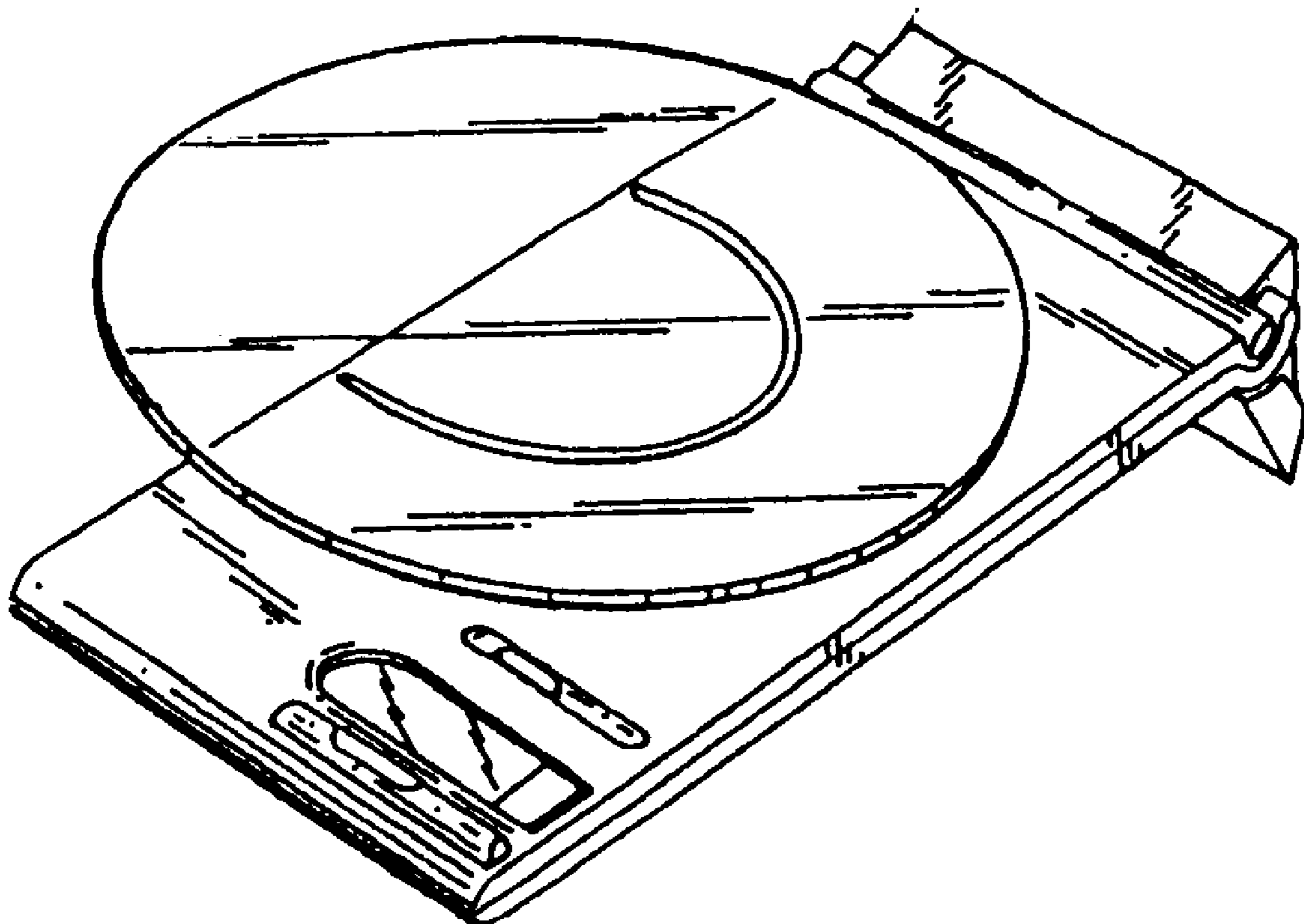
D. 418,439 1/2000 Cappiello D10/91

FIG. 7 is a left side view of the kitchen scale of FIG. 1-6; and,

FIG. 8 is a right side view of the kitchen scale of FIG. 1-7.

Primary Examiner—Antoine Duval Davis
Attorney, Agent, or Firm—Jones, Tullar & Cooper, P.C.

1 Claim, 2 Drawing Sheets



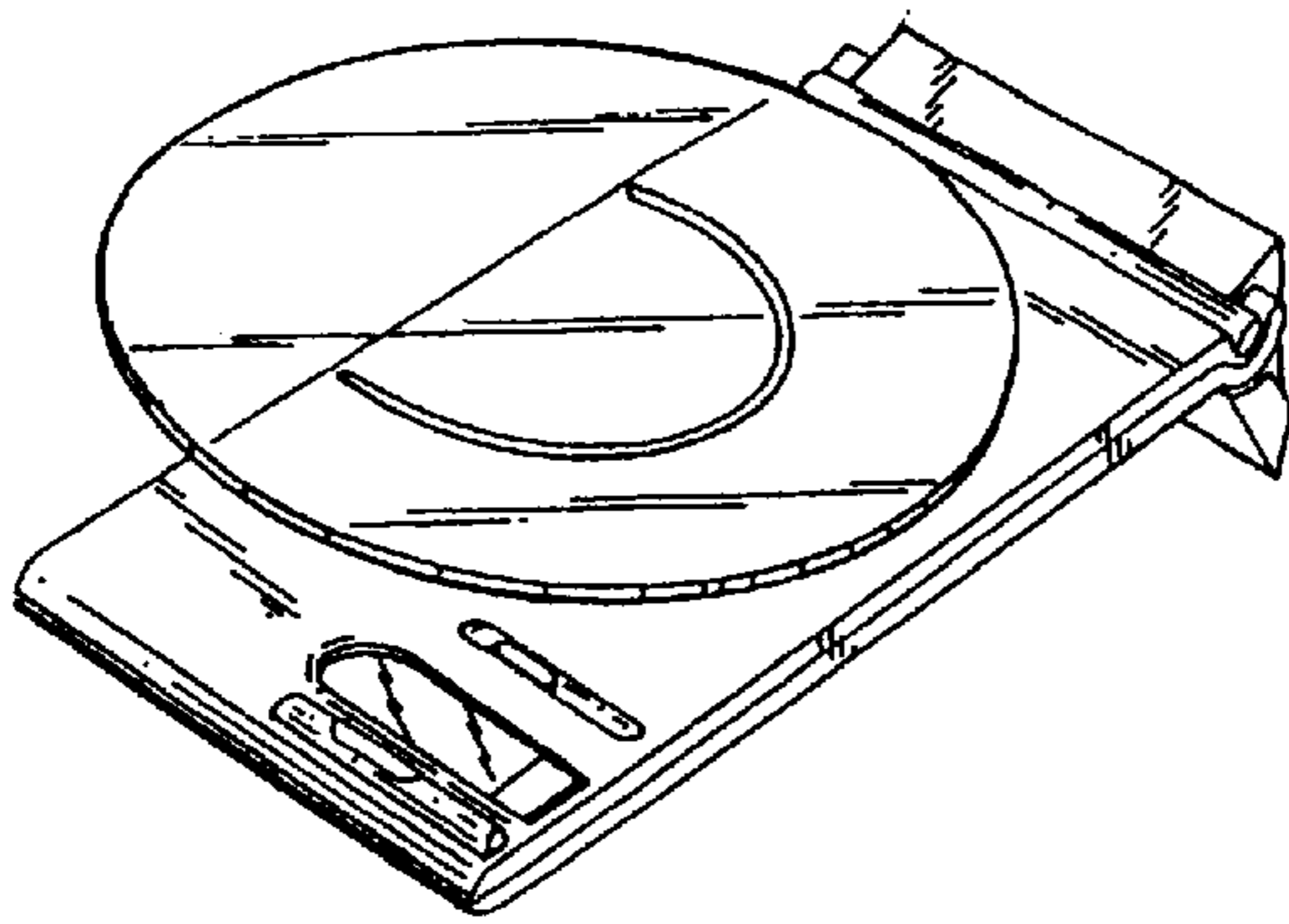


FIG. 1

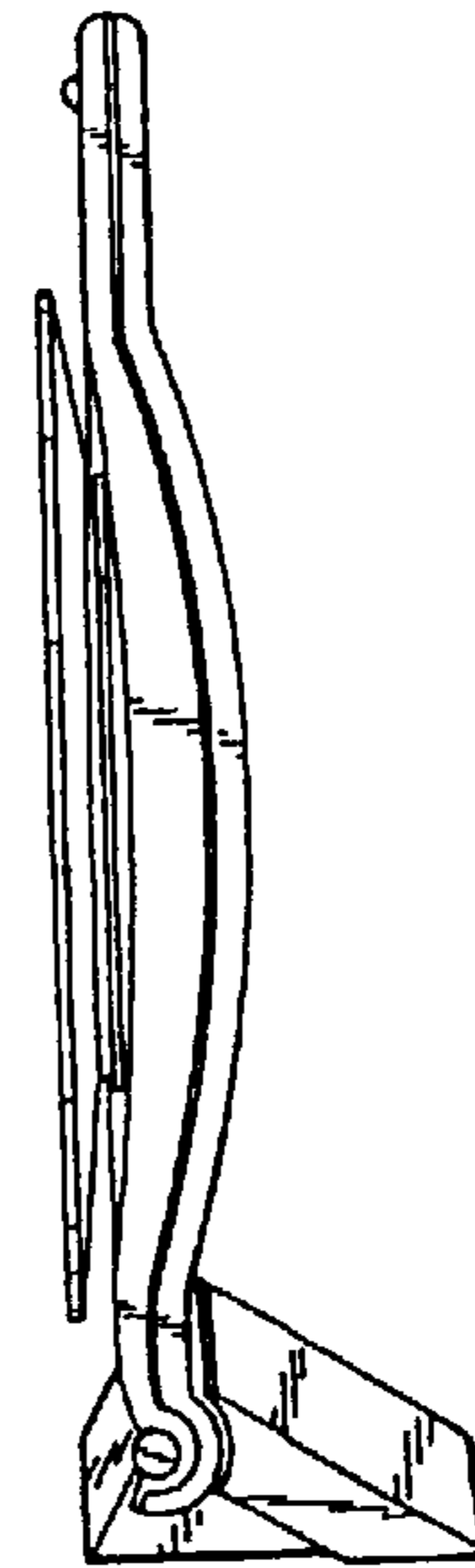


FIG. 2

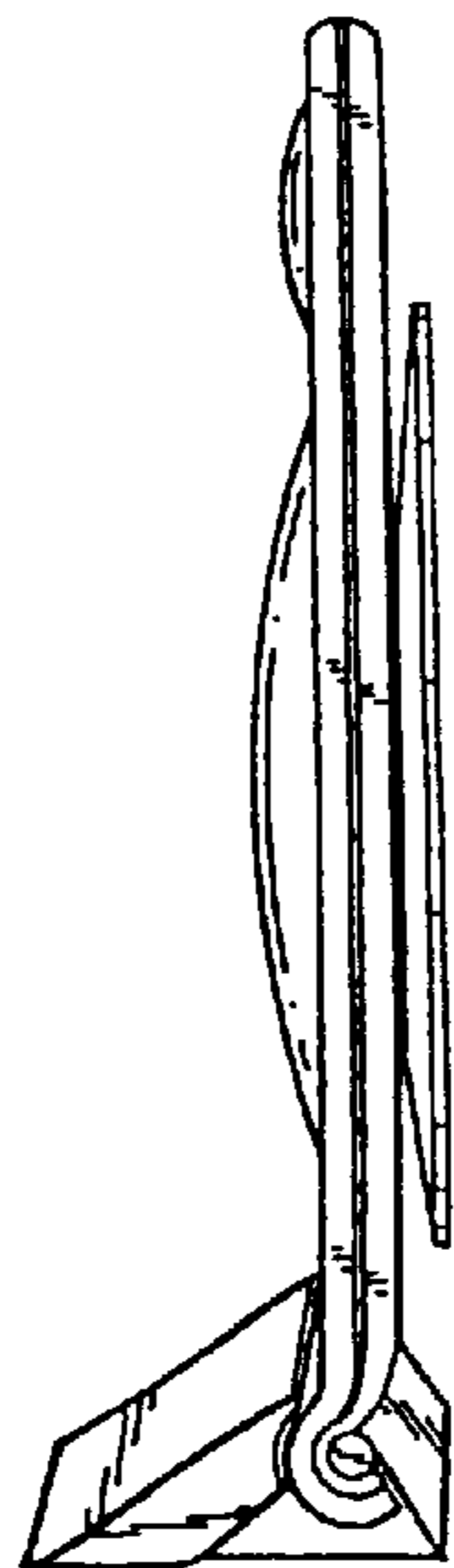


FIG. 3

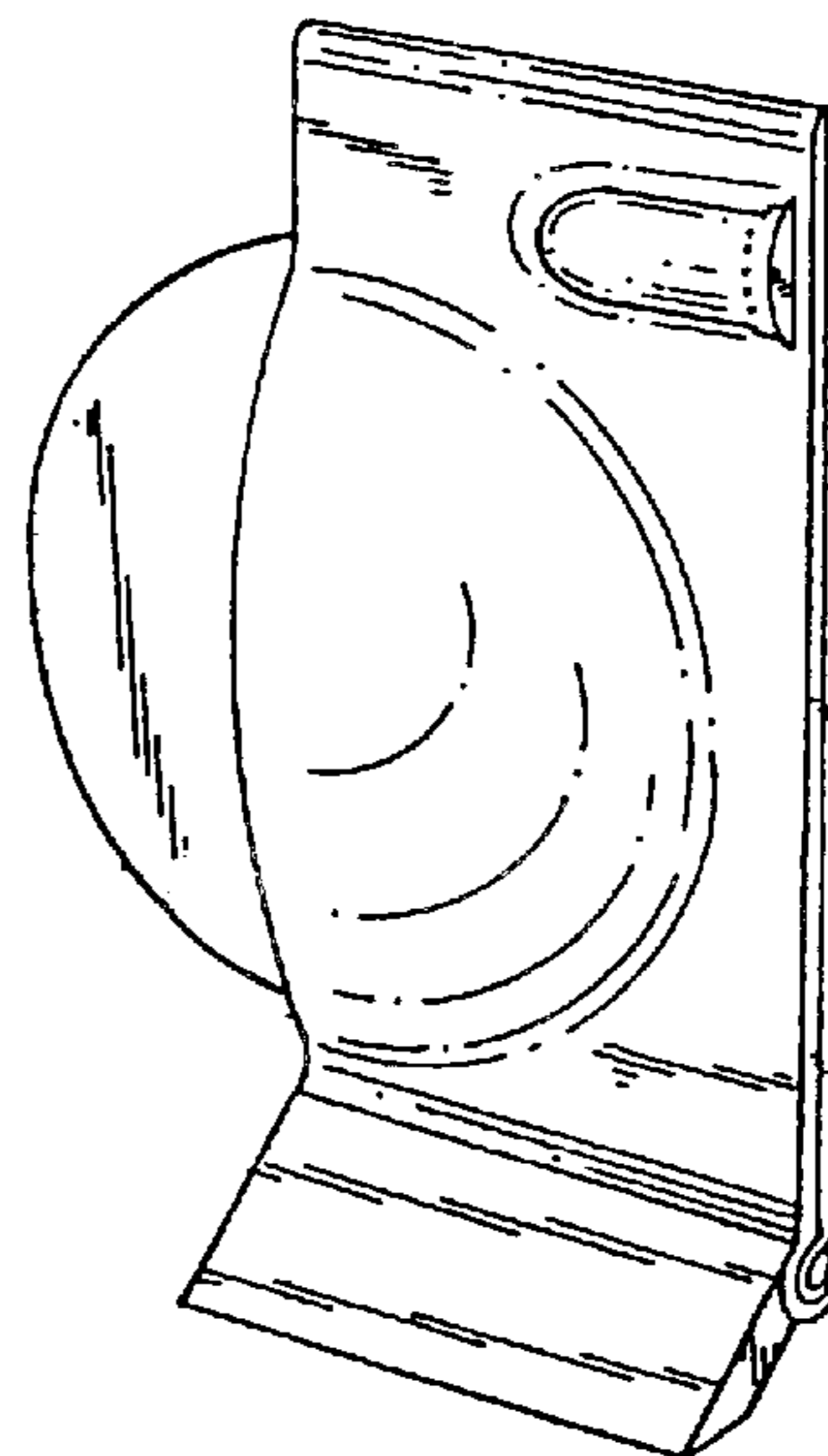


FIG. 4

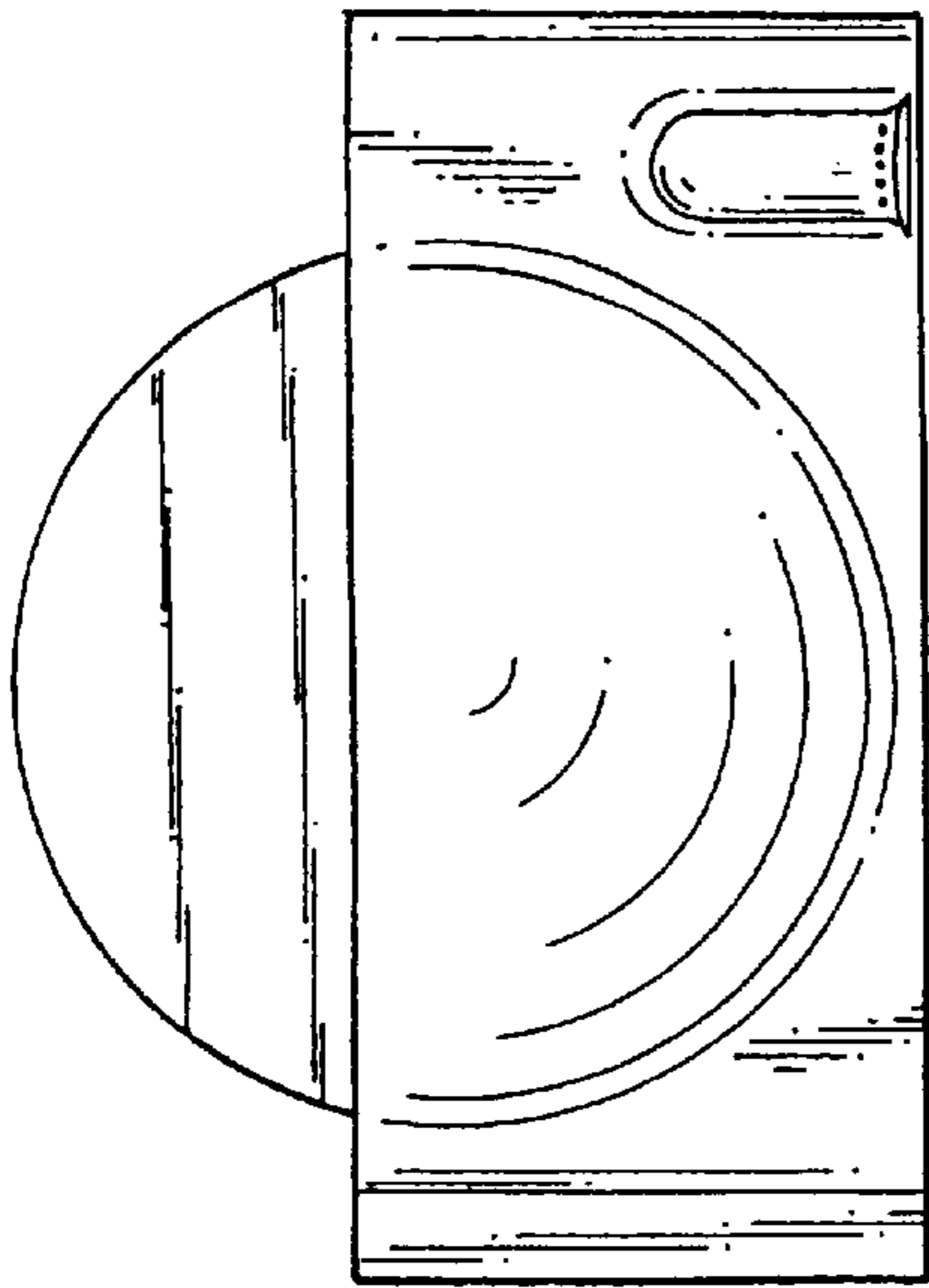


FIG. 5

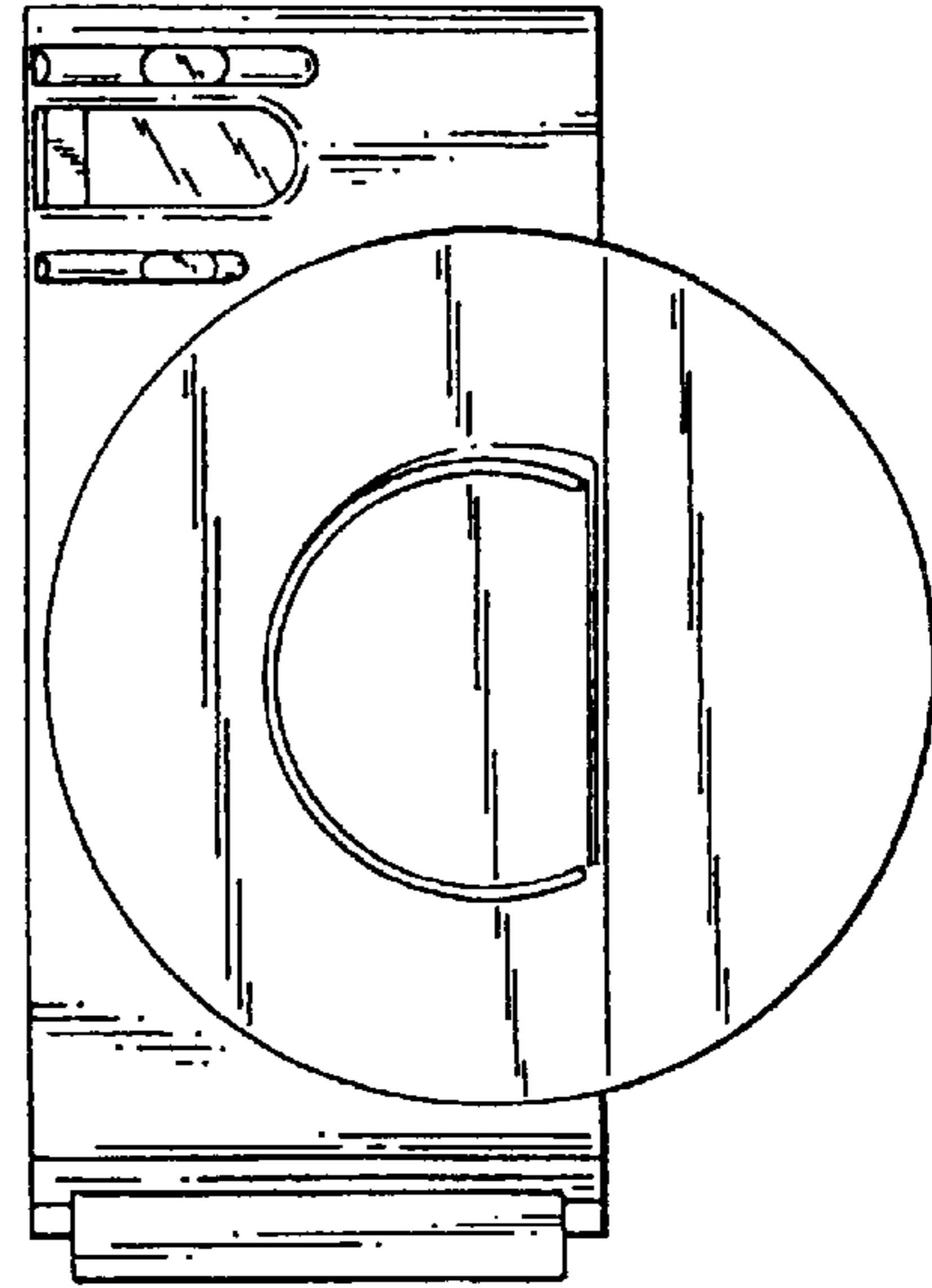


FIG. 6

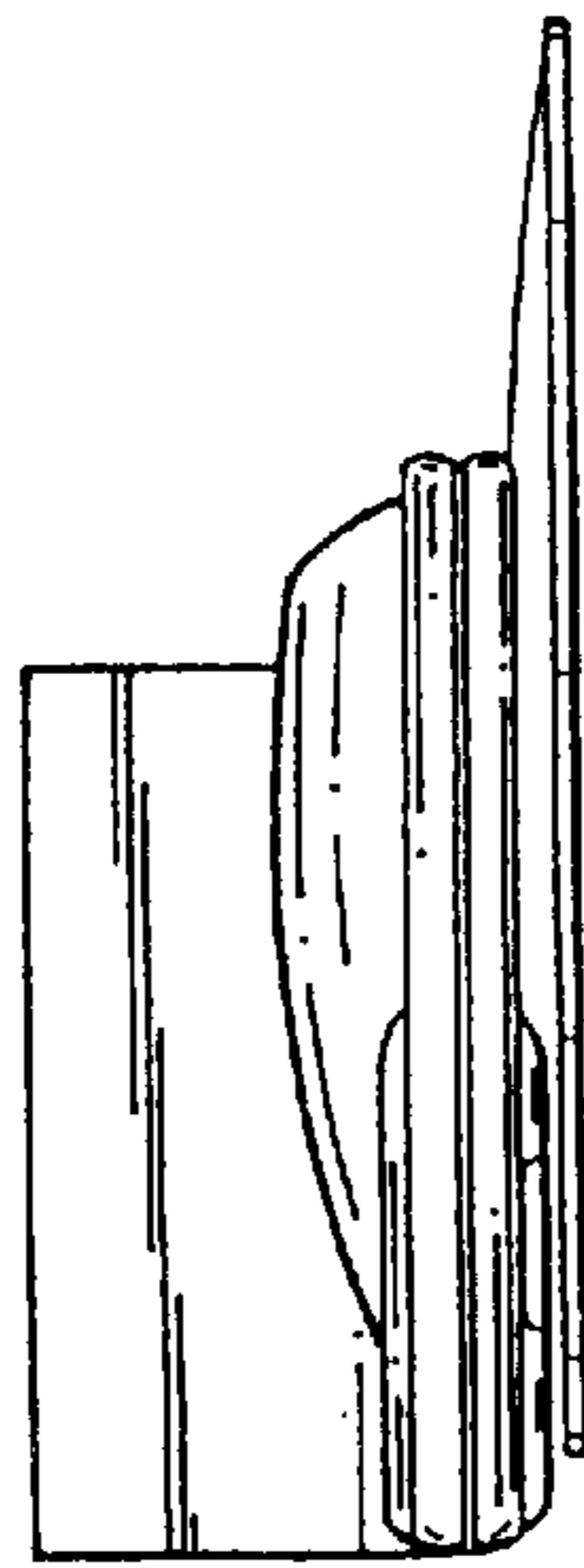


FIG. 7

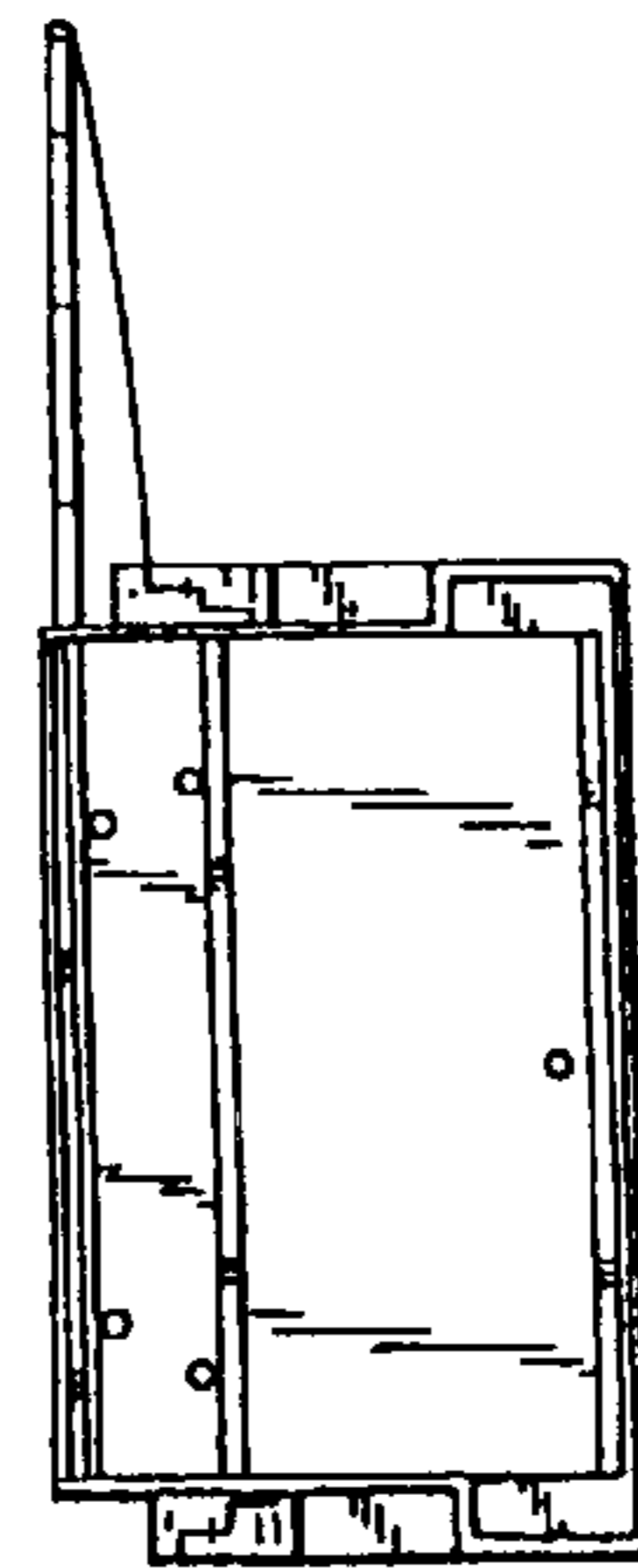


FIG. 8