



US00D426478S

United States Patent [19]
Stoica

[11] **Patent Number: Des. 426,478**

[45] **Date of Patent: ** Jun. 13, 2000**

[54] **TRANSPARENT PROTECTIVE SHIELD FOR ENTIRE ANALYTICAL INSTRUMENT**

[76] Inventor: **Anthony Stoica**, 189 Franklin Ave., Maplewood, N.J. 07040

[**] Term: **14 Years**

[21] Appl. No.: **29/113,421**

[22] Filed: **Nov. 4, 1999**

[51] **LOC (7) Cl.** **10-04**

[52] **U.S. Cl.** **D10/74; D10/103**

[58] **Field of Search** D10/74, 80, 103; D13/173, 177, 199; D14/199; D25/52; 220/DIG. 21; 200/304, 305; 83/DIG. 1; 73/324; 324/156, 158.1; 250/315.1; 408/710; 451/454; 422/50, 62, 104, 117

[56] **References Cited**

U.S. PATENT DOCUMENTS

D. 399,443 10/1998 Stoica D10/74

Primary Examiner—Antoine Duval Davis
Attorney, Agent, or Firm—Cozzarelli Law Firm, PA; Frank Cozzarelli, Jr.

[57] **CLAIM**

The ornamental design for a transparent protective shield for entire analytical instrument.

DESCRIPTION

FIG. 1 is a front perspective view of the transparent protective shield for entire analytical instrument showing my design;

FIG. 2 is a front elevational view thereof;

FIG. 3 is a rear elevational view thereof;

FIG. 4 is a right side elevational view thereof;

FIG. 5 is a left side elevational view thereof;

FIG. 6 is a top view thereof; and,

FIG. 7 is a bottom view thereof.

1 Claim, 4 Drawing Sheets

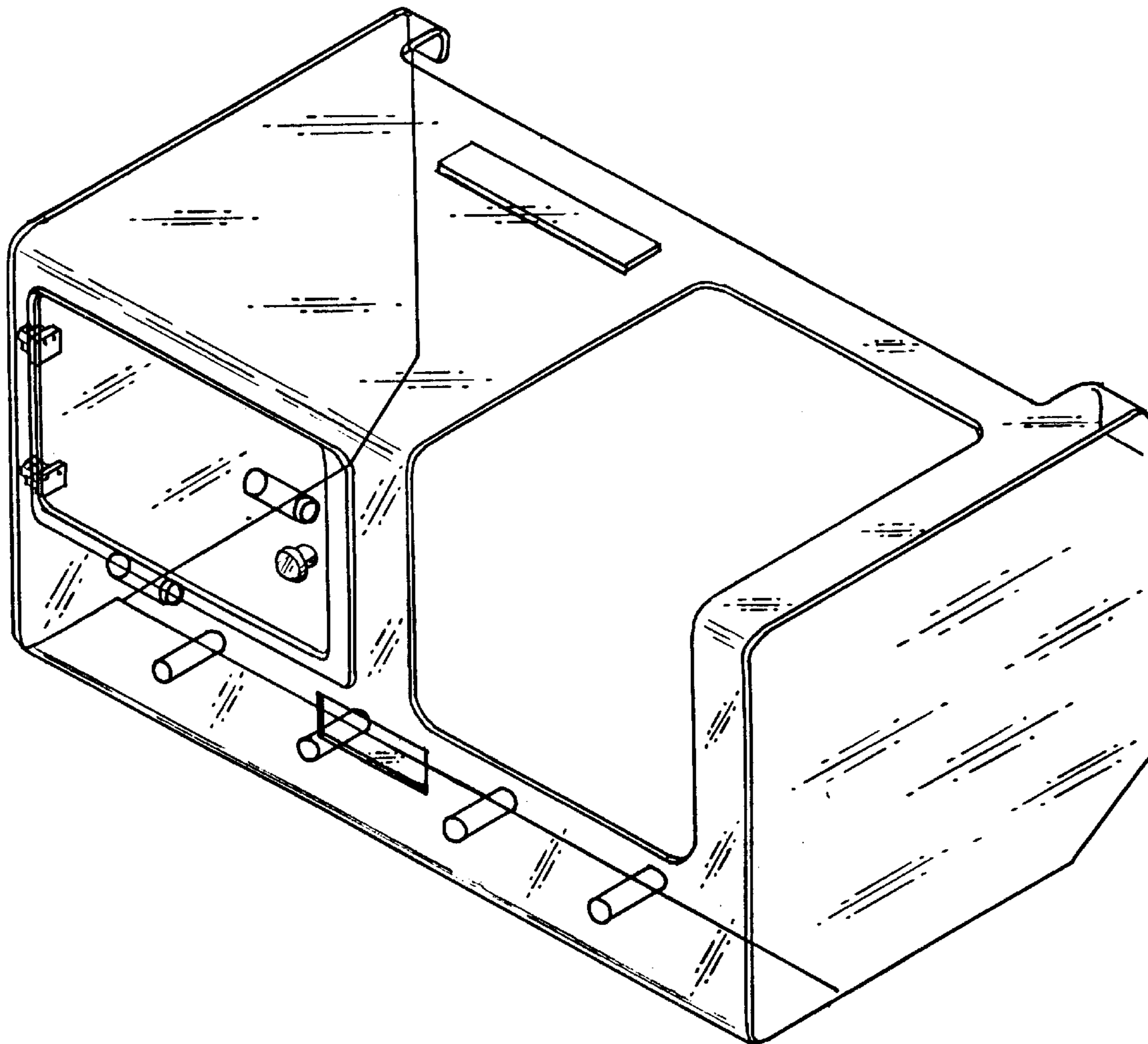
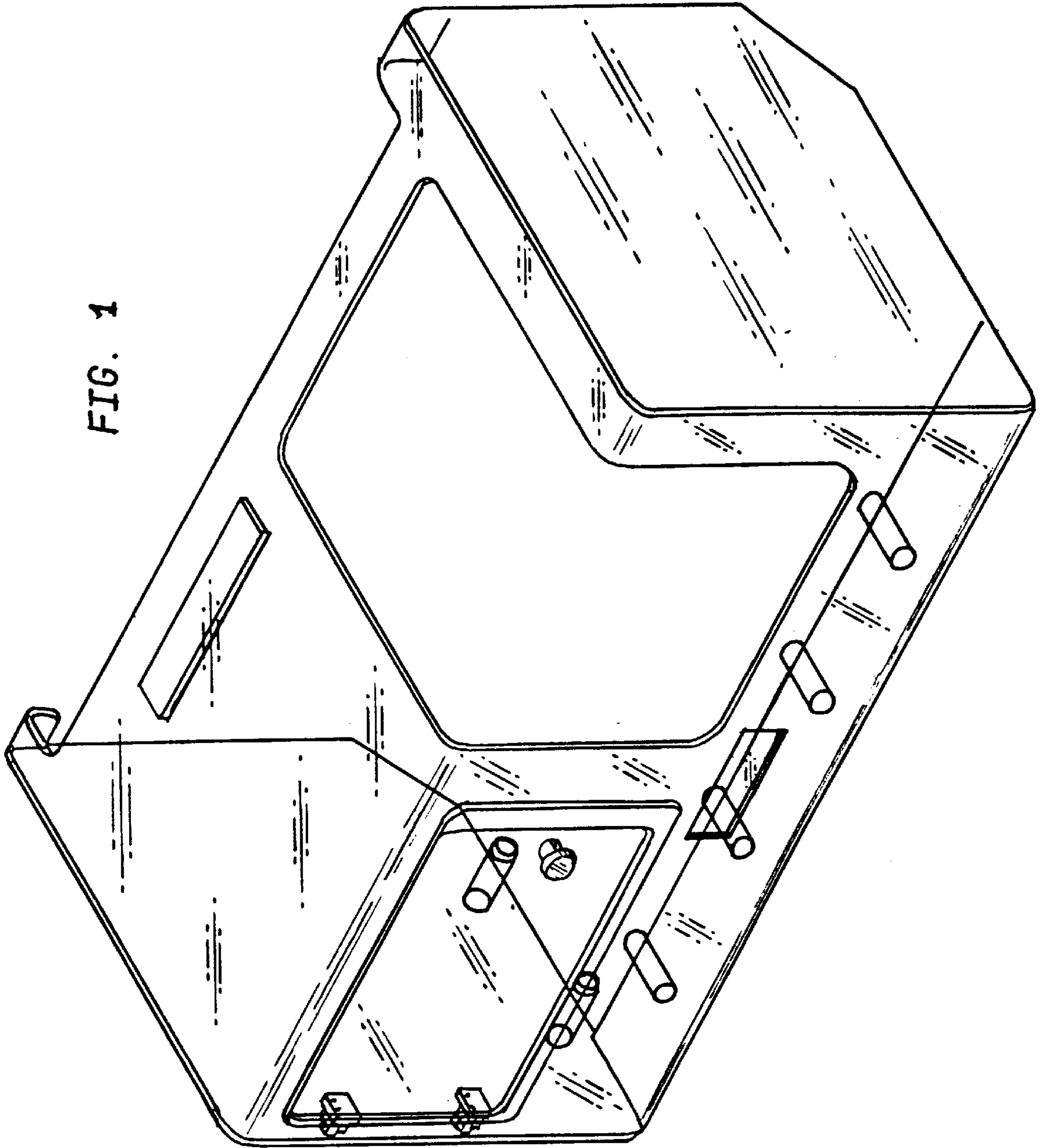


FIG. 1



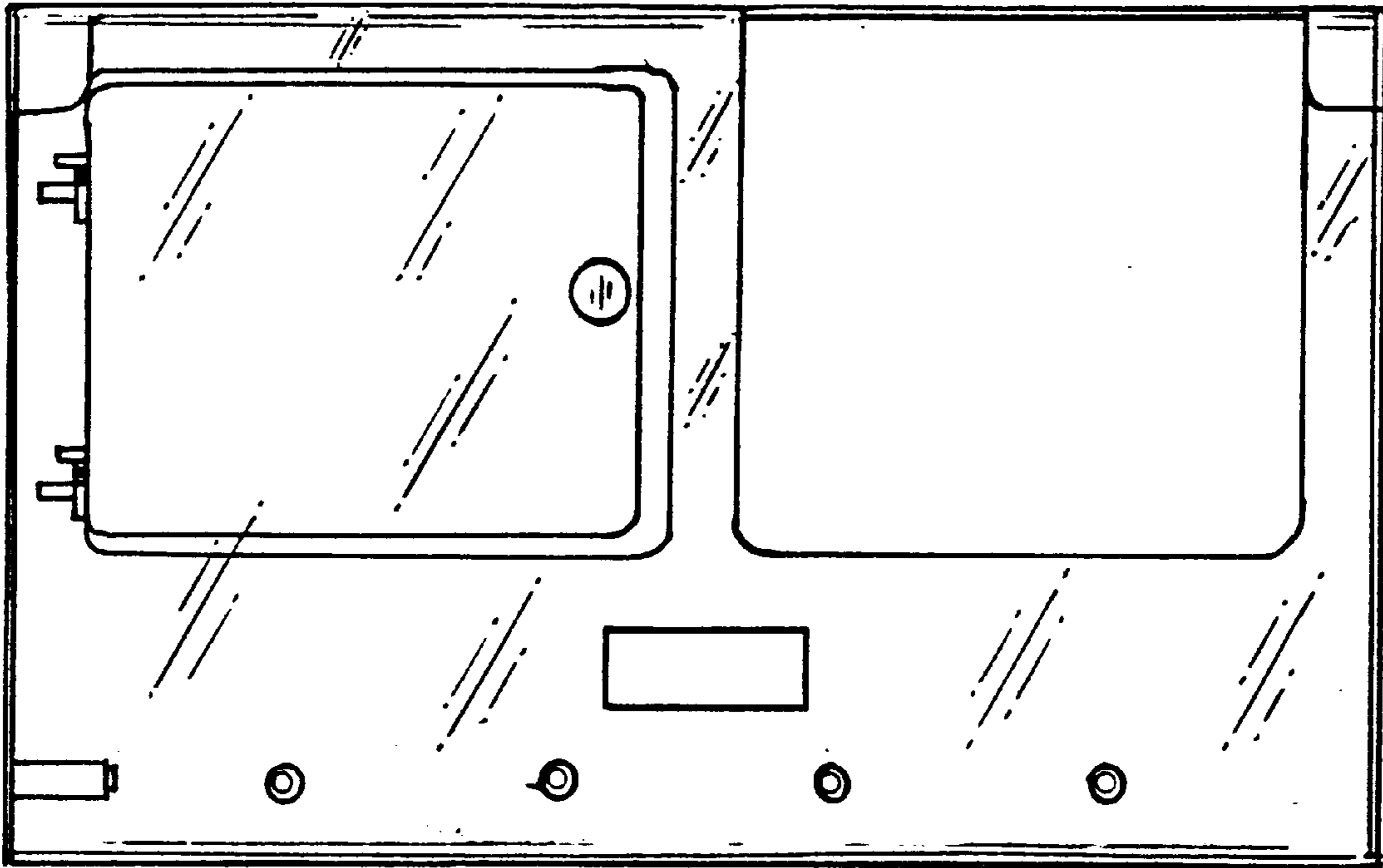


FIG. 2

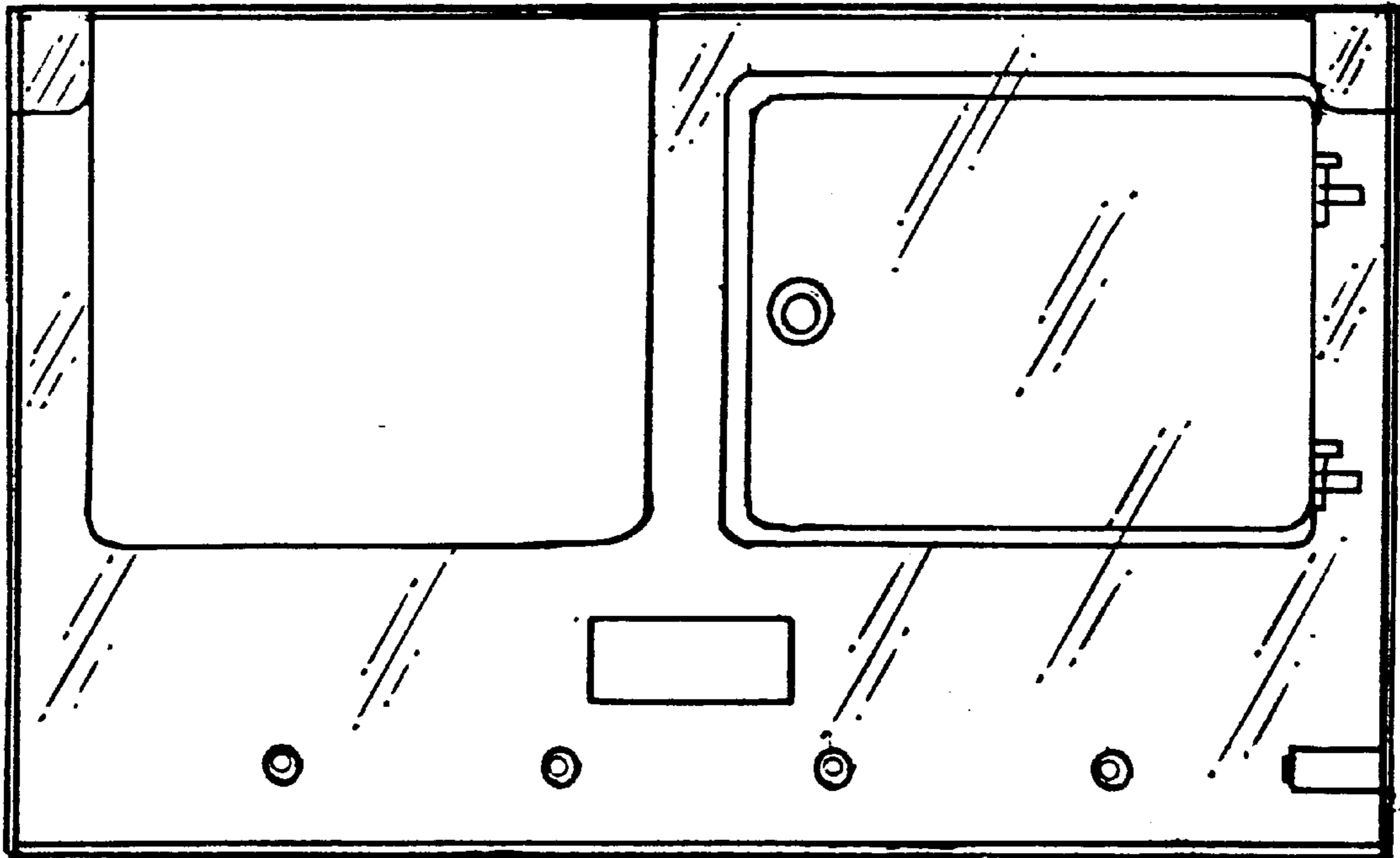


FIG. 3

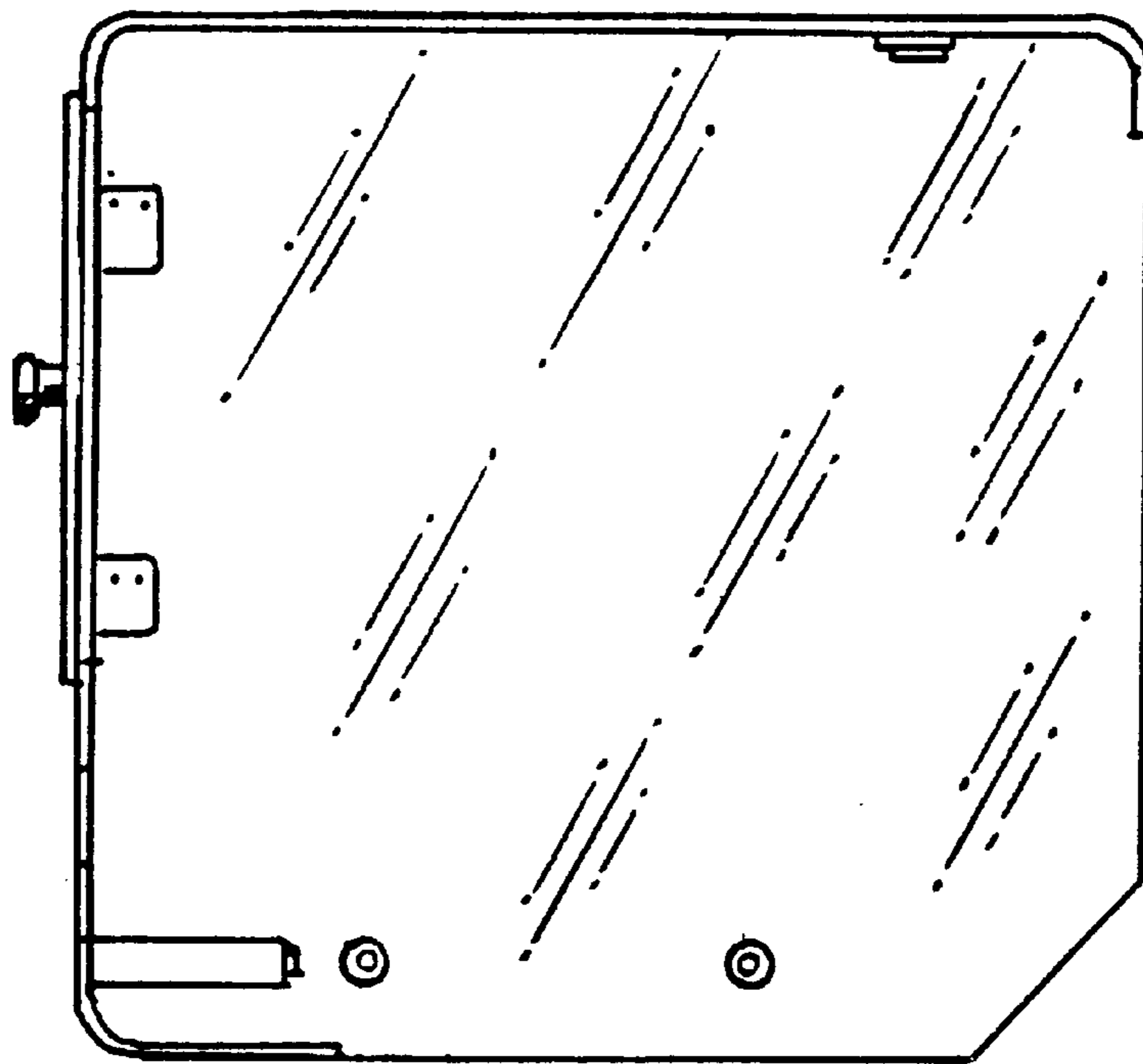


FIG. 4

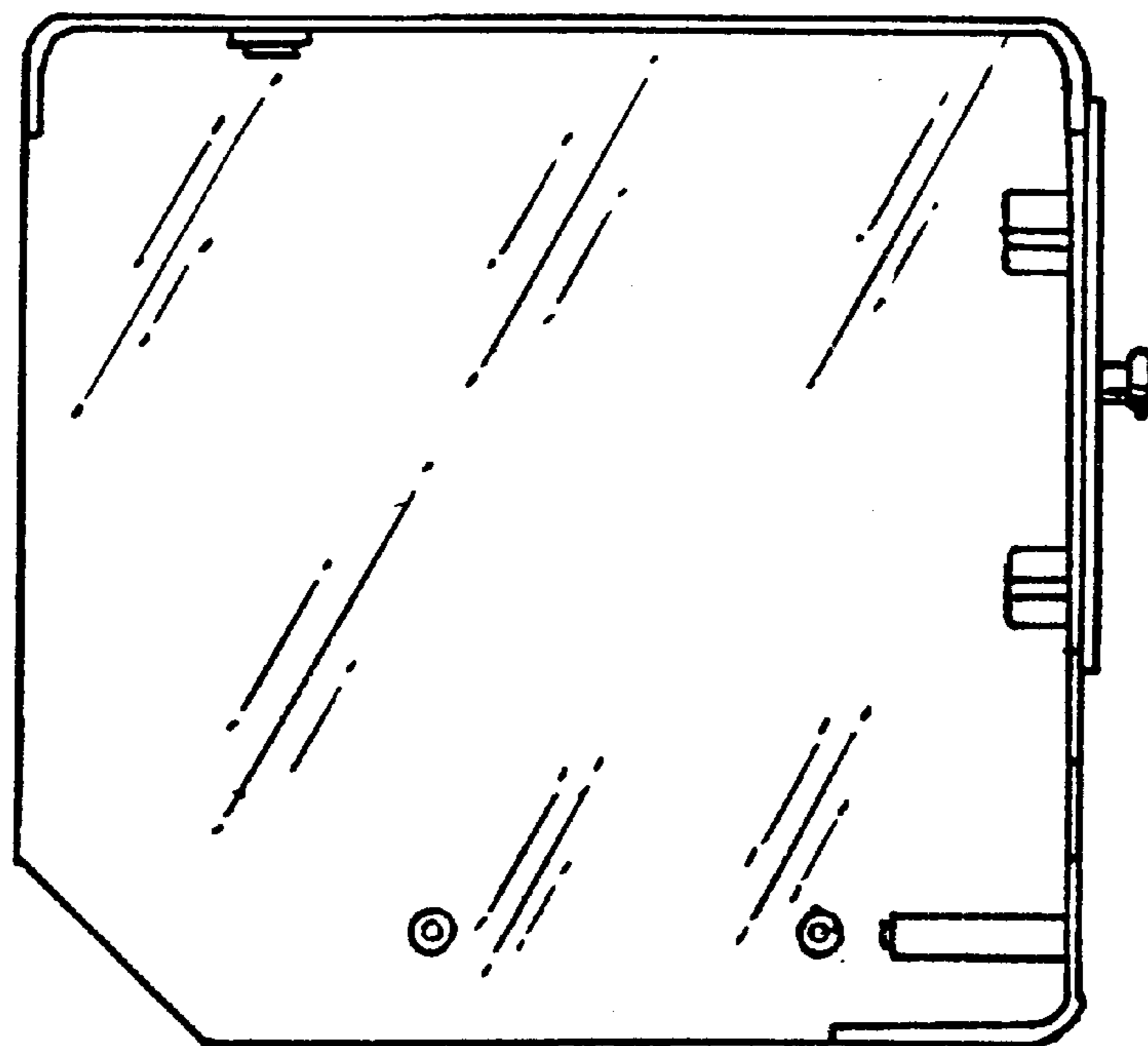


FIG. 5

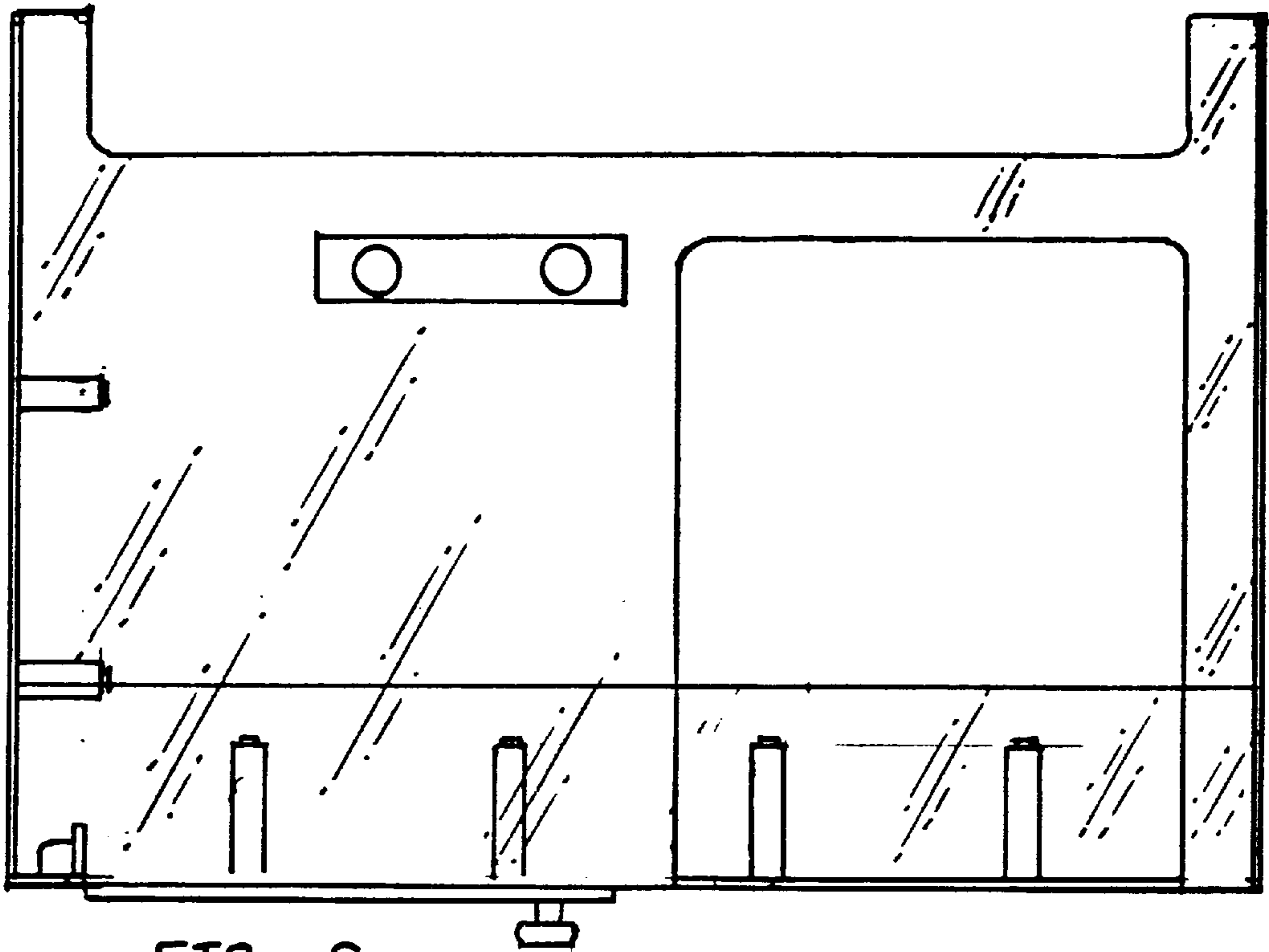


FIG. 6

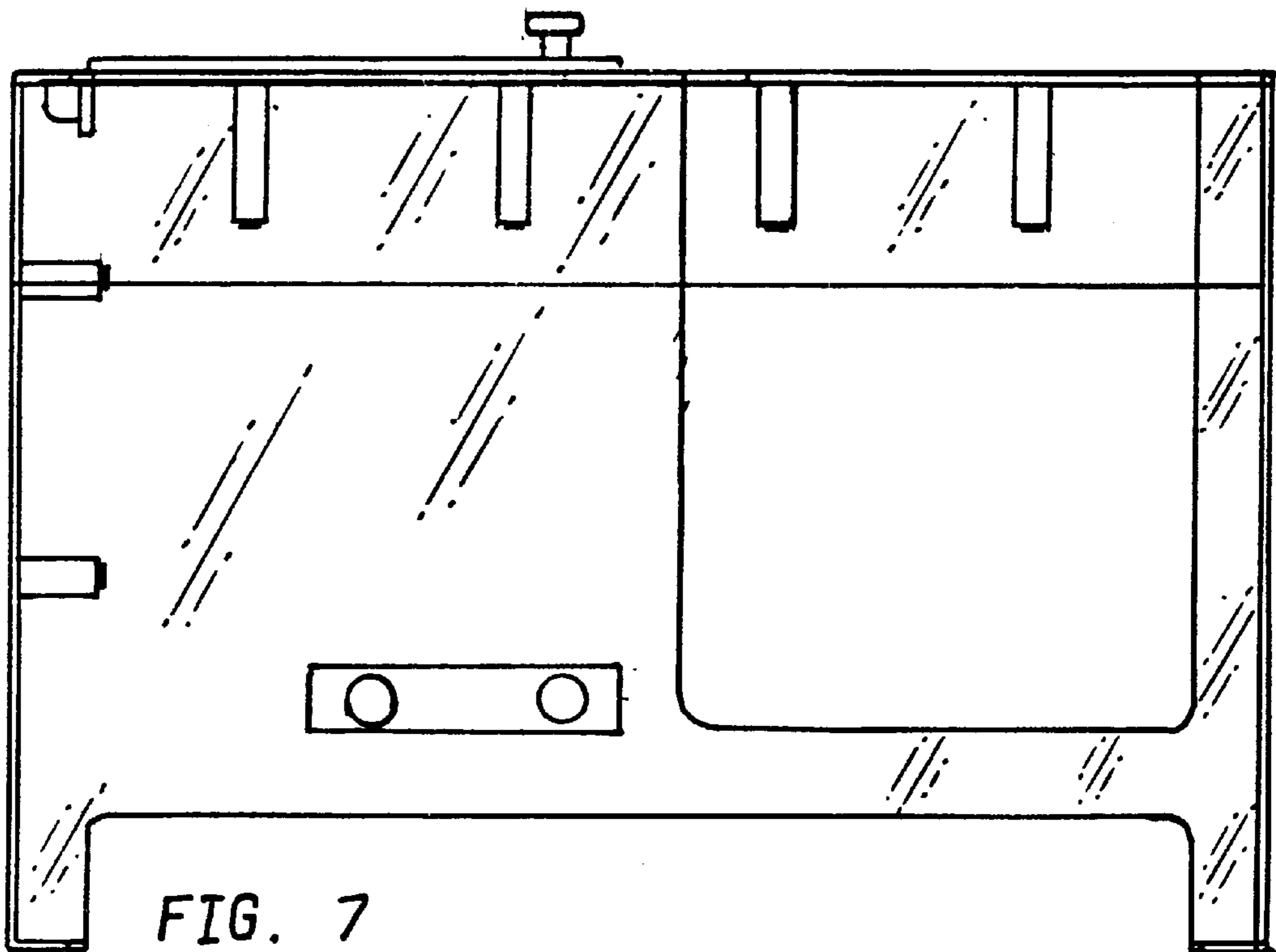


FIG. 7