



US00D426477S

United States Patent [19] Jones

[11] **Patent Number: Des. 426,477**
[45] **Date of Patent: ** Jun. 13, 2000**

[54] **CONTAINER FOR A MEASURING TAPE**

[75] Inventor: **Steven K. Jones**, Nepean, Canada

[73] Assignee: **Lee Valley Tools Ltd.**, Ottawa, Canada

[**] Term: **14 Years**

[21] Appl. No.: **29/108,917**

[22] Filed: **Aug. 5, 1999**

[51] **LOC (7) Cl.** **10-04**

[52] **U.S. Cl.** **D10/72**

[58] **Field of Search** **D10/72; 33/755-769**

[56] **References Cited**

U.S. PATENT DOCUMENTS

D. 98,554 2/1936 Stowell D10/72
D. 340,196 10/1993 Tong D10/72

OTHER PUBLICATIONS

Photo 1—Photograph of two measuring tape containers admitted to be prior art.

Photo 2—Photograph of three measuring tape containers admitted to be prior art.

Primary Examiner—Antoine Duval Davis
Attorney, Agent, or Firm—John S. Pratt; Kilpatrick Stockton LLP

[57] **CLAIM**

The ornamental design for a container for a measuring tape, as shown and described.

DESCRIPTION

FIG. 1 is a perspective view of the top and side of the present invention, with a portion of a measuring tape shown in broken lines.

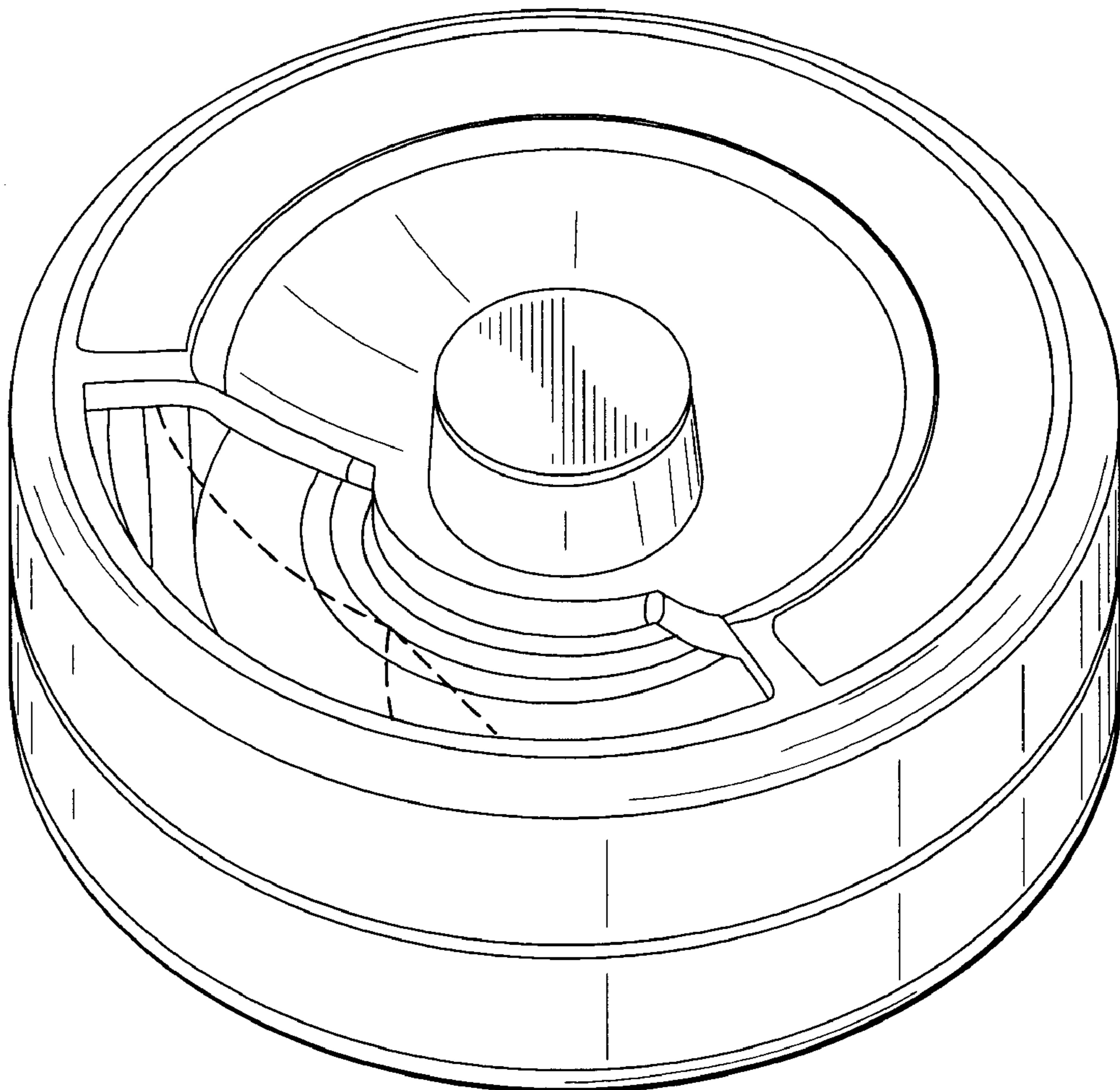
FIG. 2 is a side elevation view of the invention shown in FIG. 1.

FIG. 3 is a top plan view of the invention shown in FIG. 1; and,

FIG. 4 is a bottom plan view of the invention shown in FIG. 1.

The broken line showing is for illustrative purposes only and forms no part of the claimed design.

1 Claim, 2 Drawing Sheets



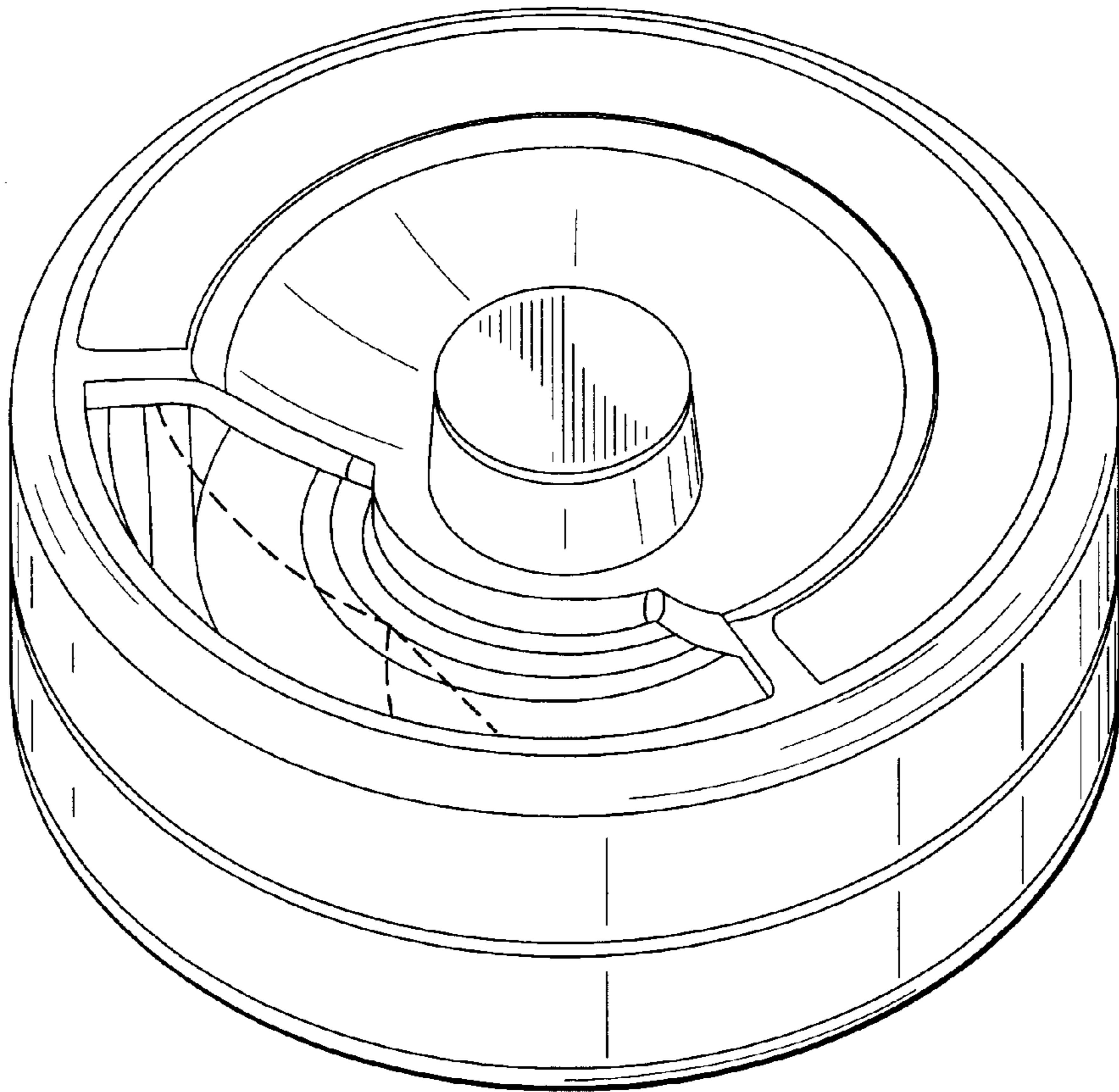


FIG. 1

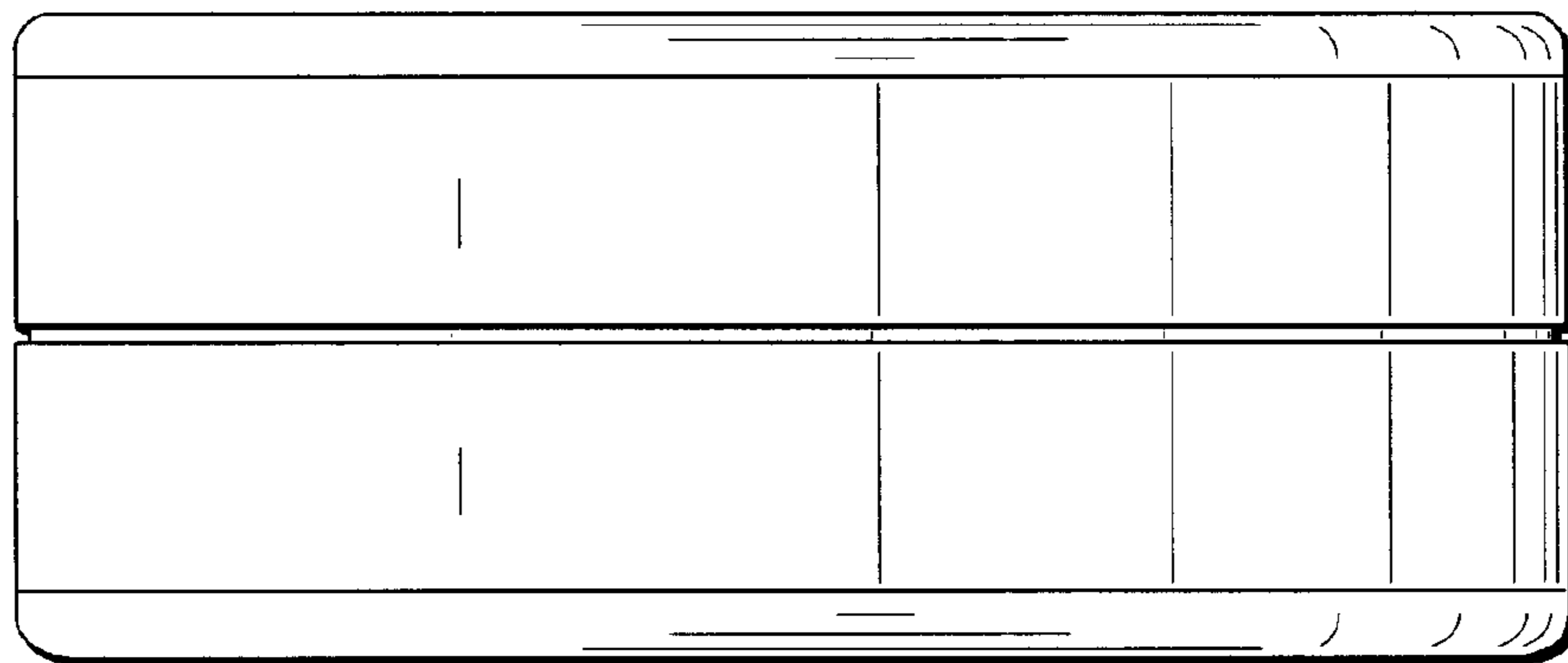


FIG. 2

FIG. 3

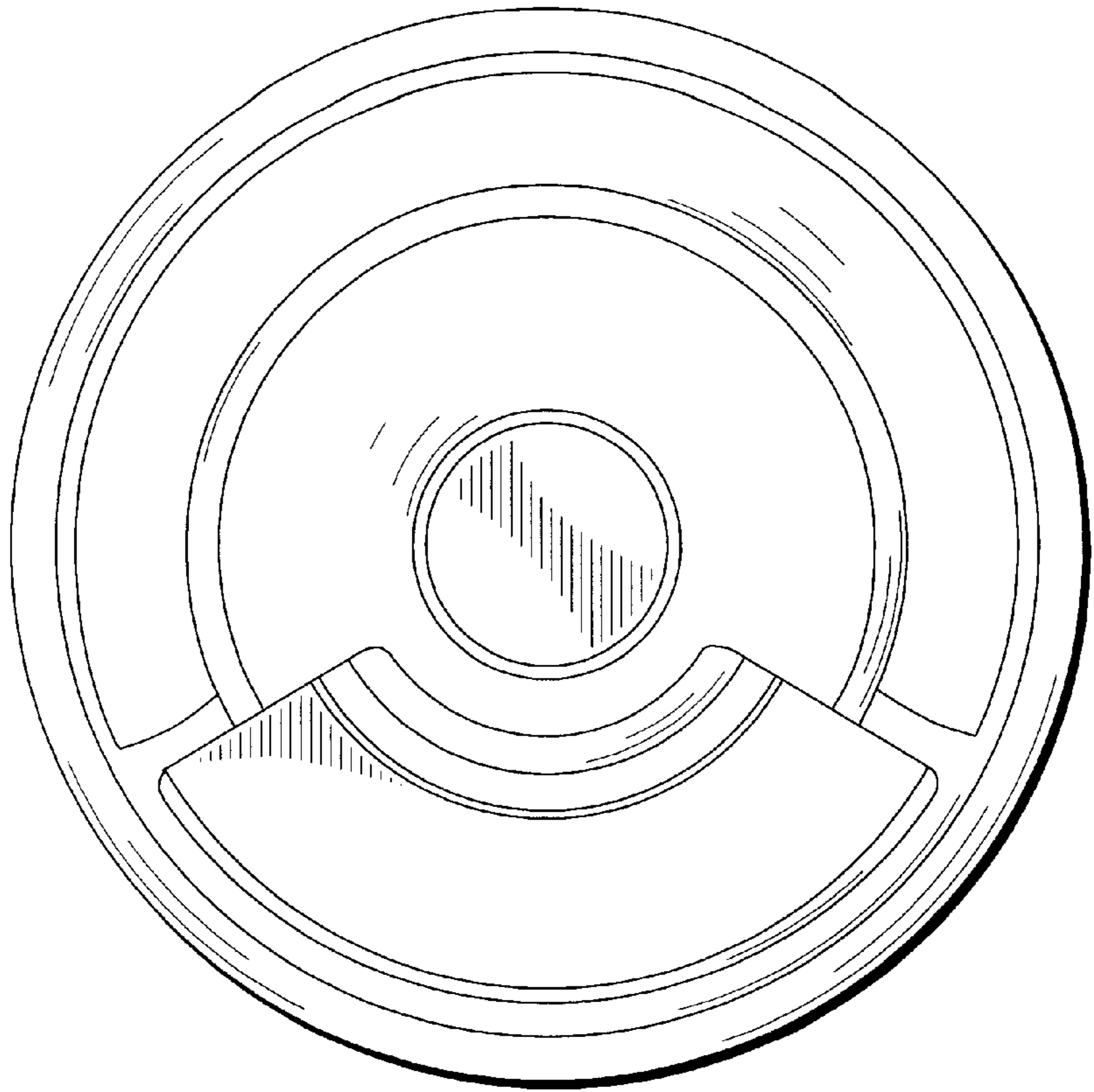


FIG. 4

