



US00D426475S

# United States Patent [19]

Tam et al.

[11] Patent Number: **Des. 426,475**

[45] Date of Patent: **\*\* Jun. 13, 2000**

[54] **COMPASS**

D. 303,938 10/1989 Iacovelli ..... D10/68

[75] Inventors: **Johnny Tam**, Hong Kong; **Patrick Fong Wing Hon**, Sunshine, both of The Hong Kong Special Administrative Region of the People's Republic of China

*Primary Examiner*—Antoine Duval Davis  
*Attorney, Agent, or Firm*—Cook, Alex, McFarron, Manzo, Cummings, & Mehler, Ltd.

[73] Assignee: **Electronics Tomorrow Limited**

[57] **CLAIM**

The ornamental design for a compass, shown and described.

[\*\*] Term: **14 Years**

**DESCRIPTION**

[21] Appl. No.: **29/111,588**

FIG. 1 is a perspective view of a compass showing a preferred embodiment of our new design; FIG. 2 is a front elevational view thereof; FIG. 3 is a top plan view thereof; FIG. 4 is a bottom plan view thereof; FIG. 5 is a rear elevational view thereof; FIG. 6 is a left end elevational view thereof; and, FIG. 7 is a right end elevational view thereof.

[22] Filed: **Sep. 30, 1999**

[51] **LOC (7) Cl.** ..... **10-04**

[52] **U.S. Cl.** ..... **D10/68**

[58] **Field of Search** ..... D10/68; 33/355 R, 33/361, 364, 355 D

The broken line showing is for illustrative purposes only and forms no part of the claimed design.

[56] **References Cited**

**U.S. PATENT DOCUMENTS**

D. 303,934 10/1989 Iacovelli ..... D10/68

**1 Claim, 3 Drawing Sheets**

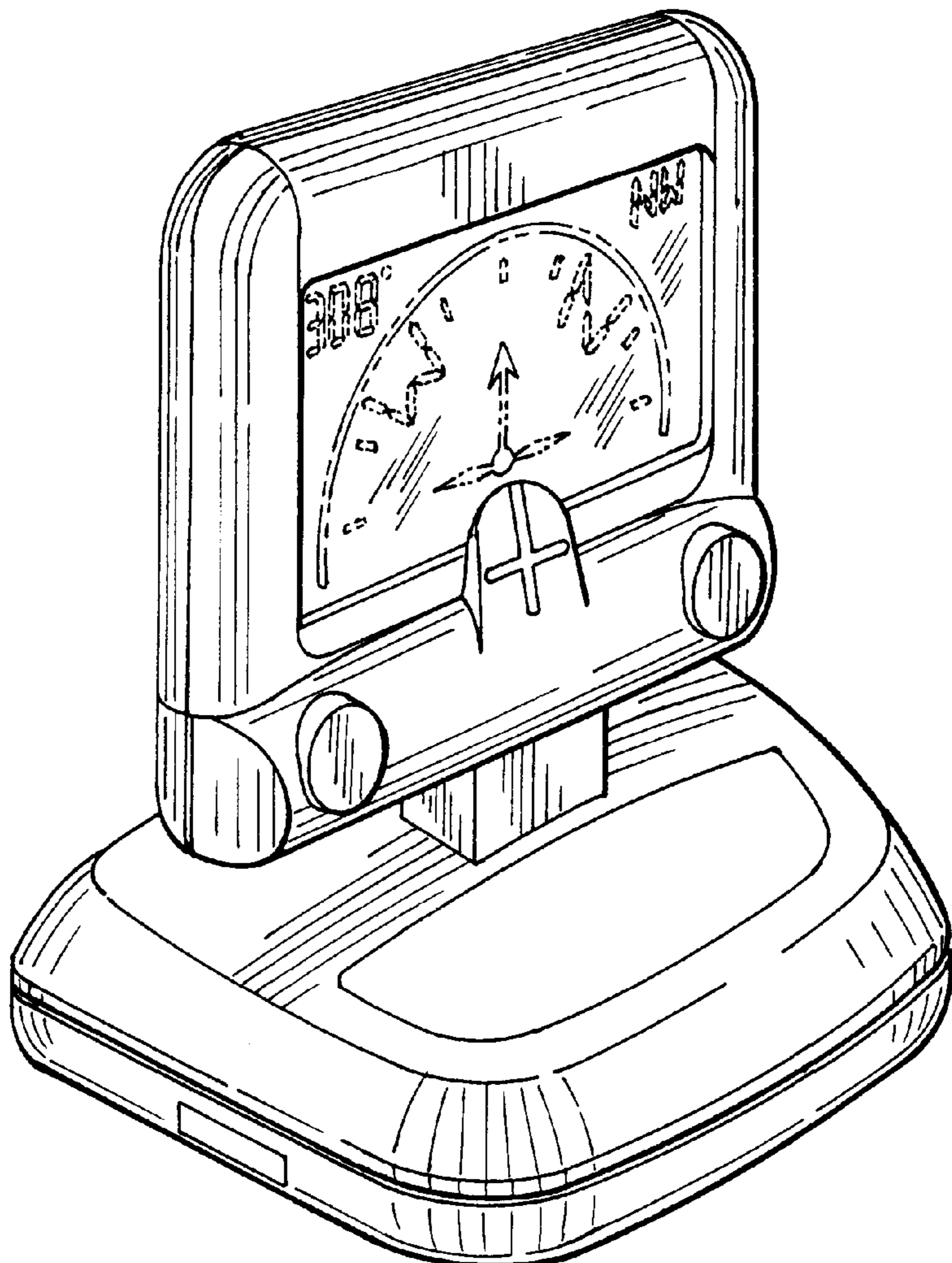


FIG. 1

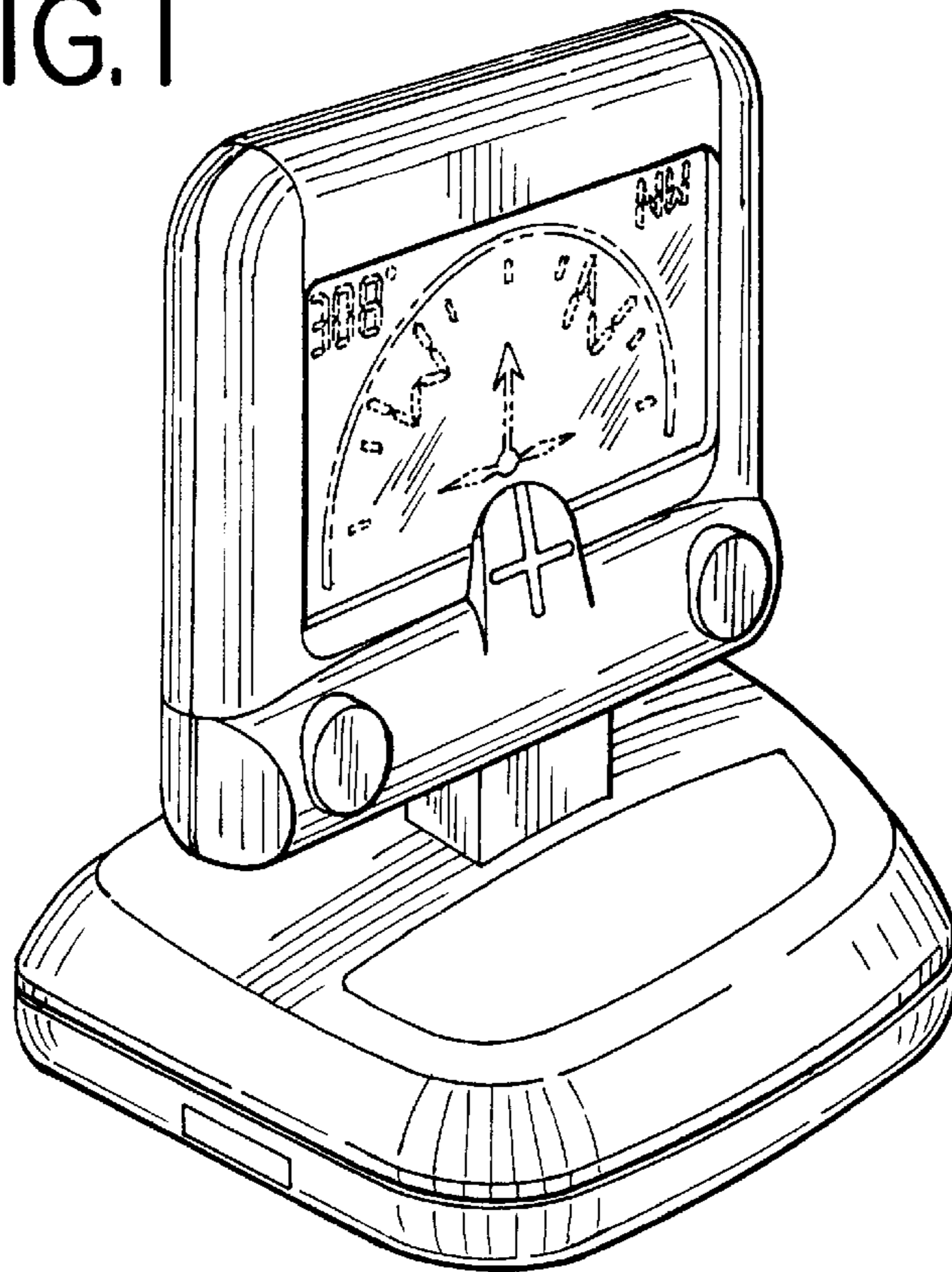


FIG. 2

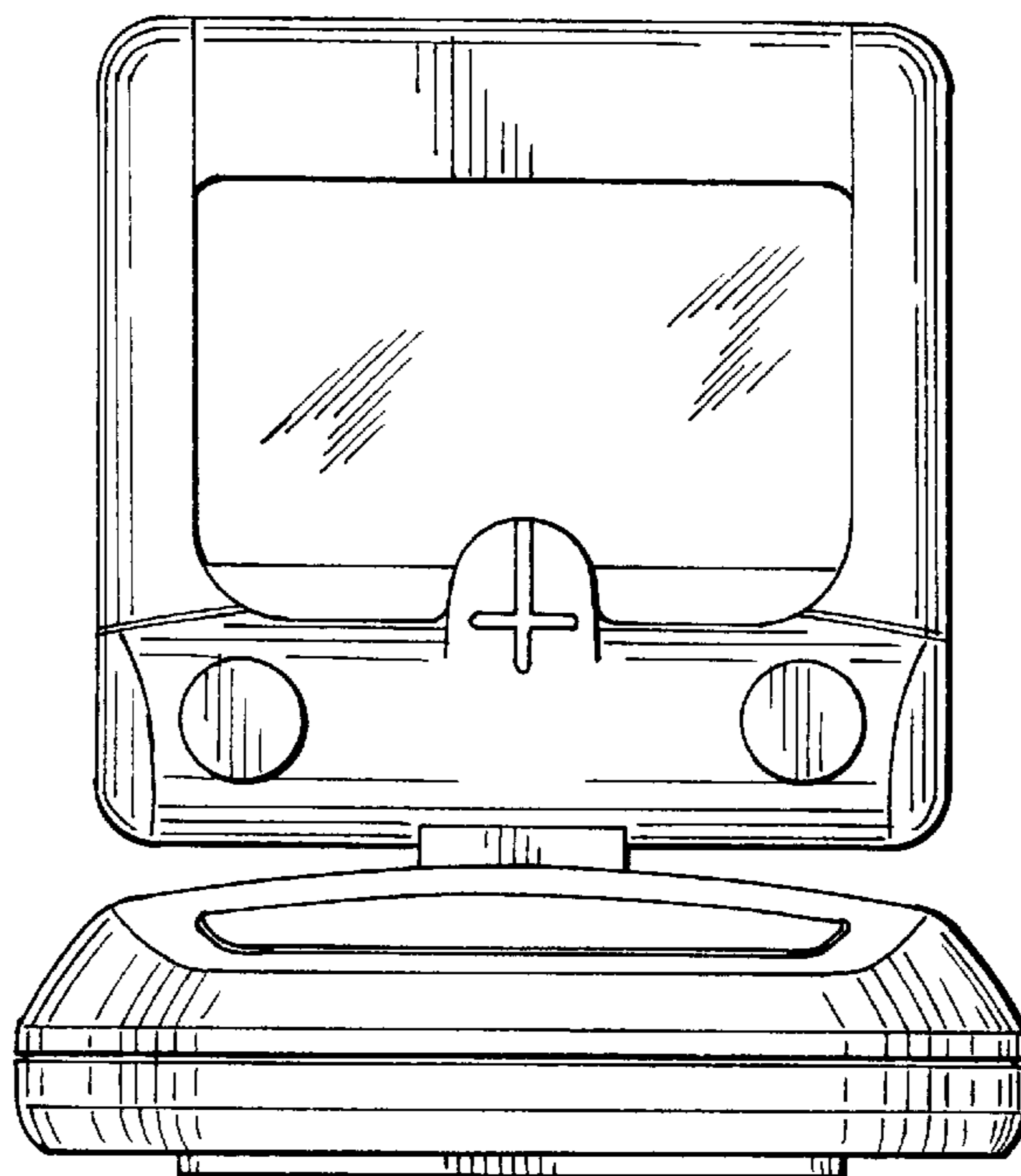


FIG.3

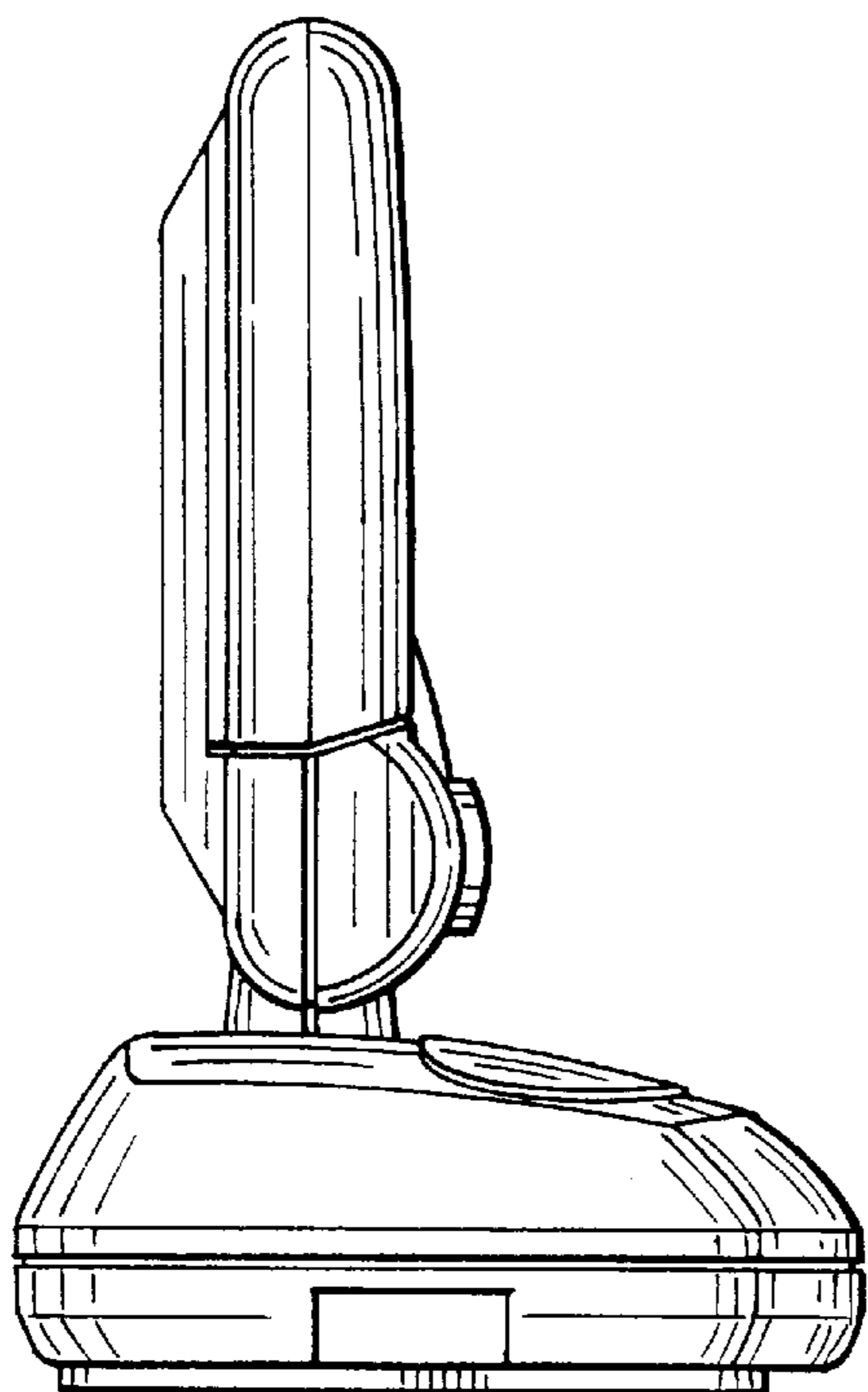


FIG.4

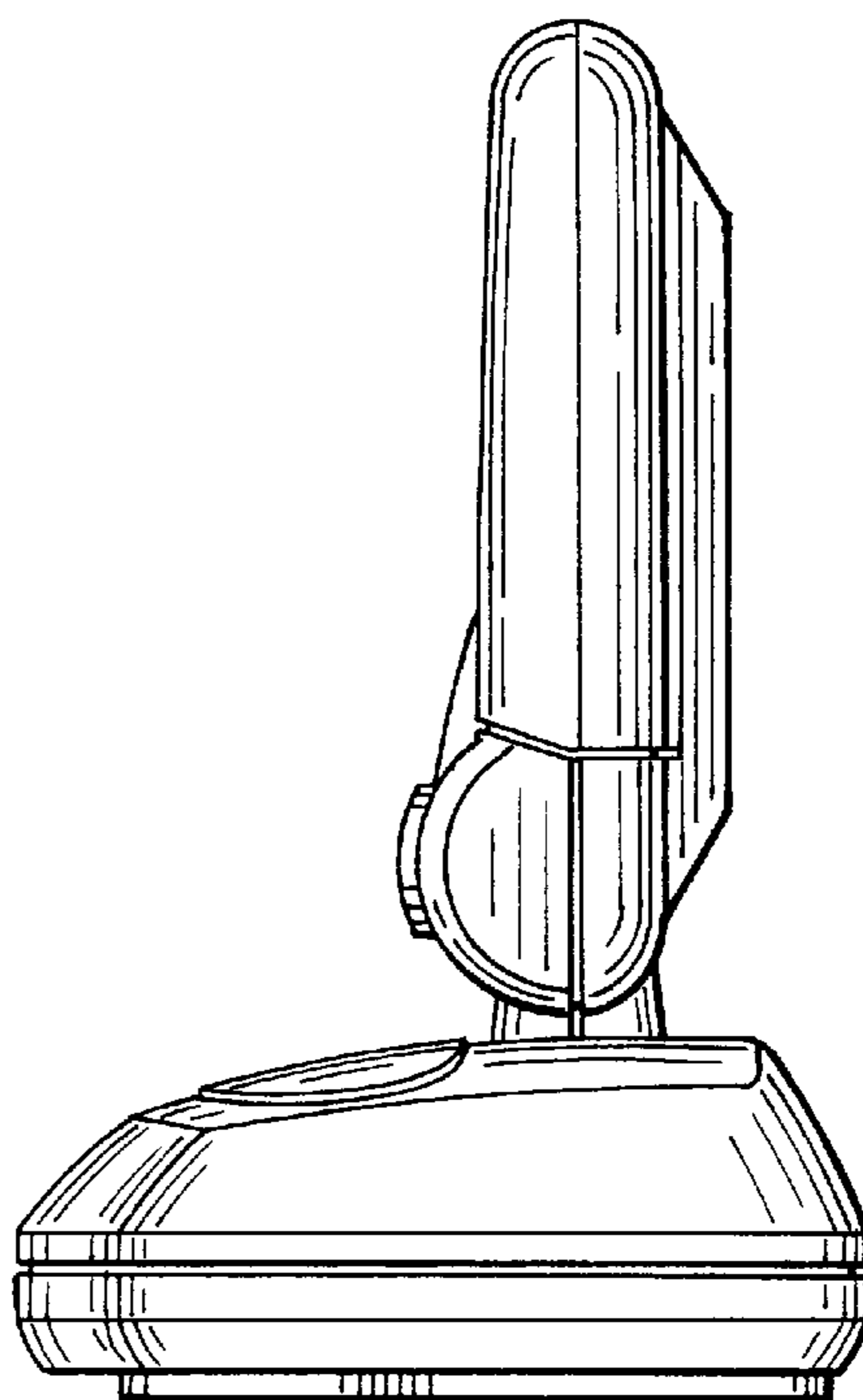


FIG.5

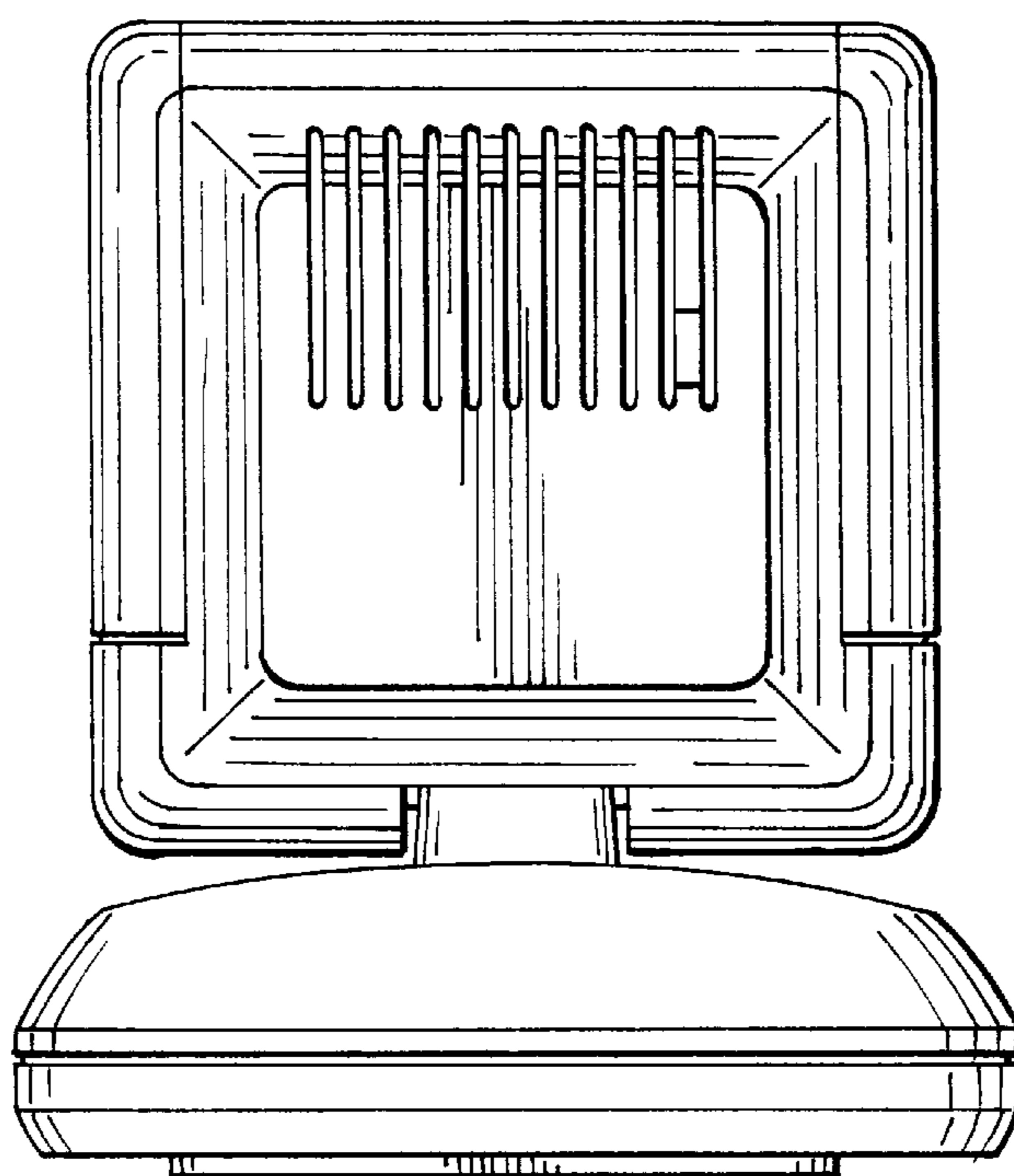


FIG.6

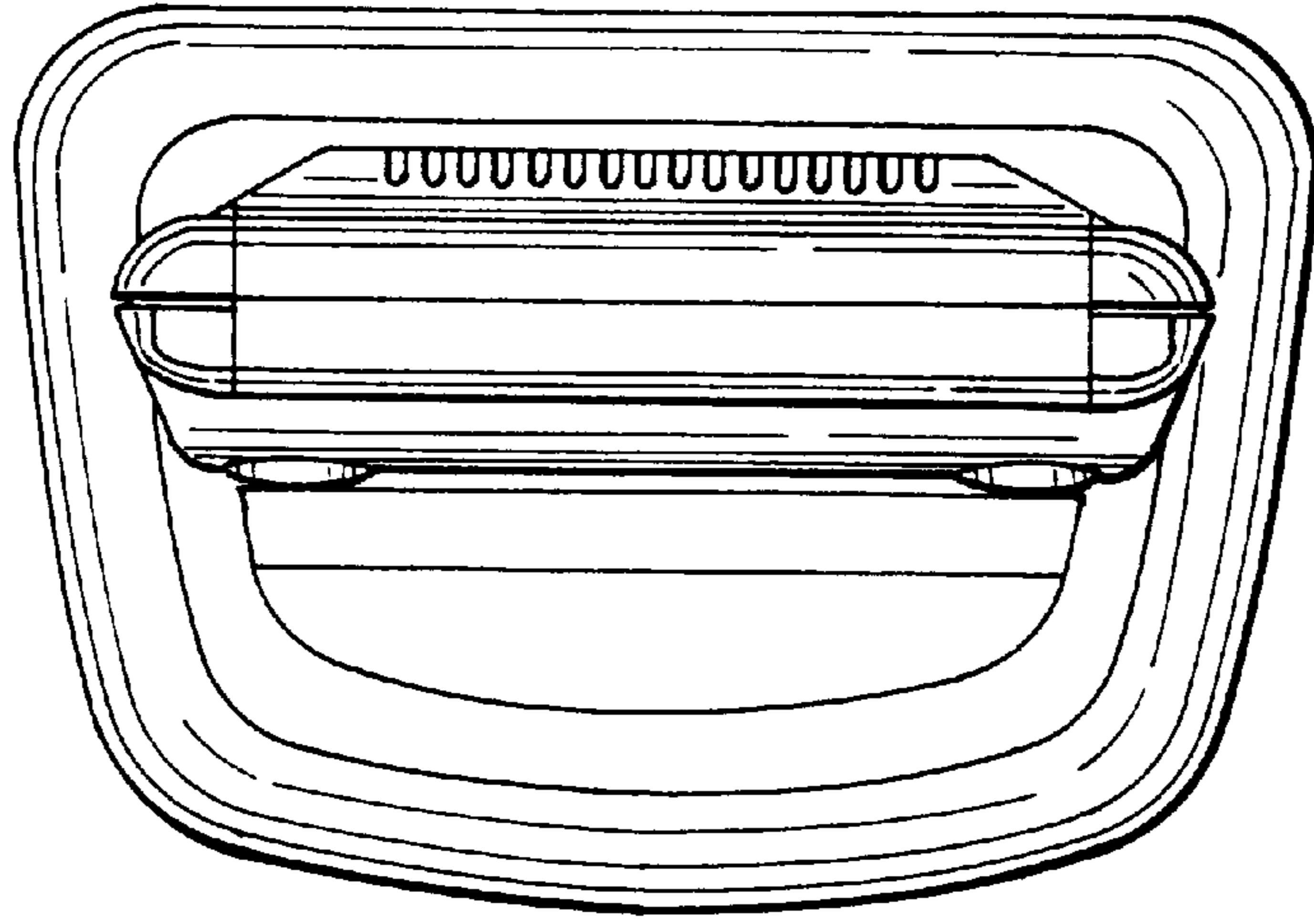


FIG.7

