



US00D426474S

United States Patent [19] Chang

[11] **Patent Number: Des. 426,474**

[45] **Date of Patent: ** Jun. 13, 2000**

[54] **ANGLE GAUGE**

4,805,315 2/1989 Nesbitt 33/429

[76] Inventor: **Ching-Feng Chang**, 58, Ma Yuan West St., Taichung, Taiwan

Primary Examiner—Antoine Duval Davis

[**] Term: **14 Years**

[57] **CLAIM**

The ornamental design for a angle gauge, as shown and described.

[21] Appl. No.: **29/106,292**

[22] Filed: **Jun. 14, 1999**

DESCRIPTION

[51] **LOC (7) Cl.** **10-04**

FIG. 1 is a front elevational view of angle gauge showing my new design;

[52] **U.S. Cl.** **D10/65; D10/64**

FIG. 2 is a rear elevational view thereof;

[58] **Field of Search** D10/64, 65; 33/482, 33/562, 563, 429

FIG. 3 is a top plan view thereof;

FIG. 4 is a bottom plan view thereof;

FIG. 5 is a left side elevational view thereof;

FIG. 6 is a right side elevational view thereof; and,

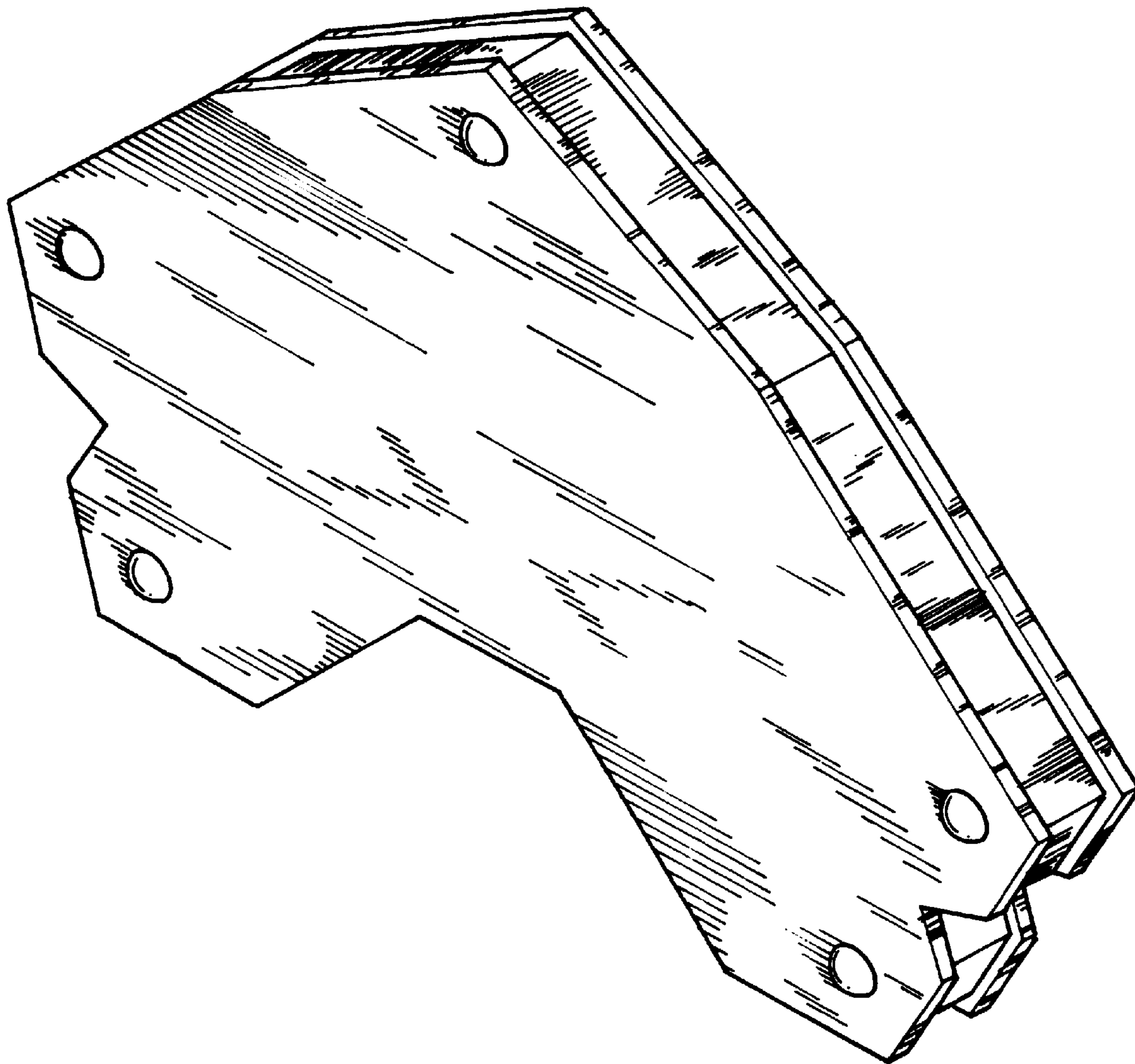
FIG. 7 is a perspective view thereof.

[56] **References Cited**

U.S. PATENT DOCUMENTS

4,185,391 1/1980 Roley 33/562

1 Claim, 5 Drawing Sheets



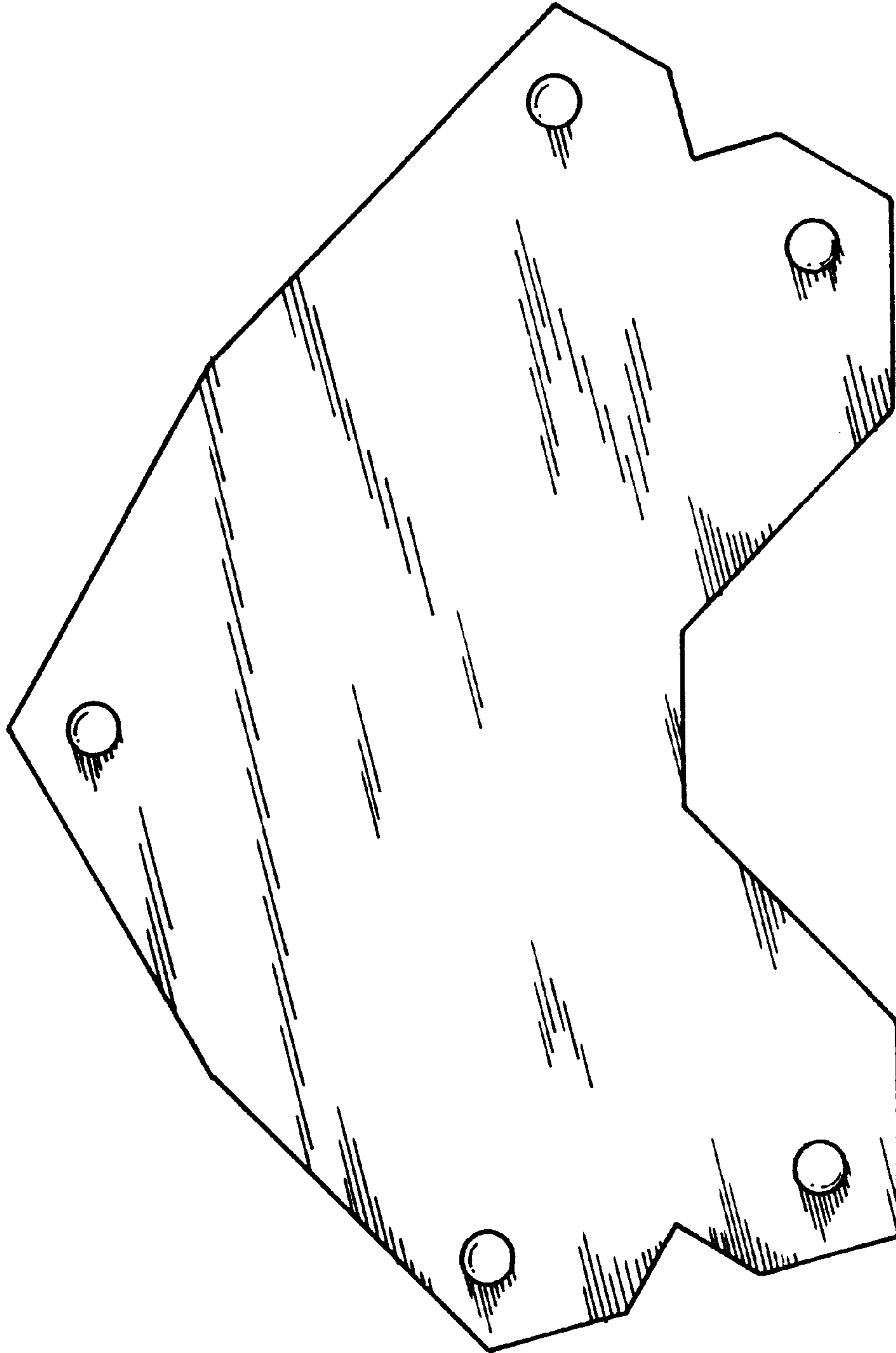
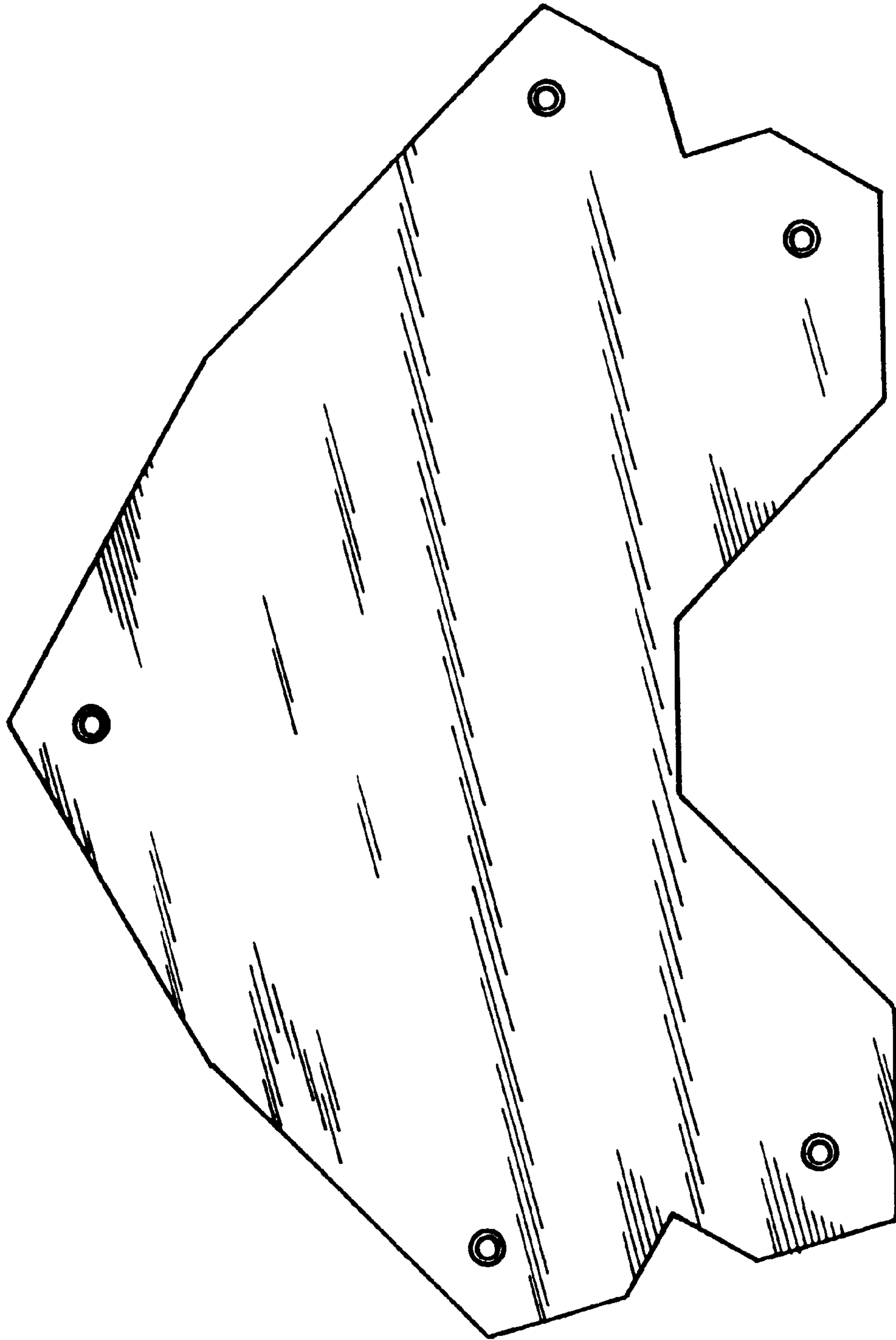
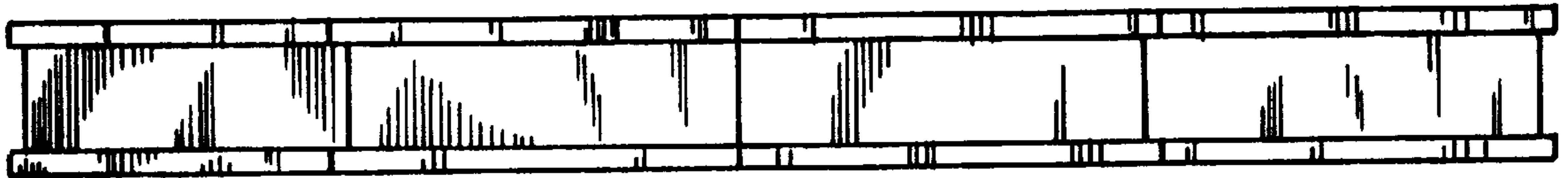


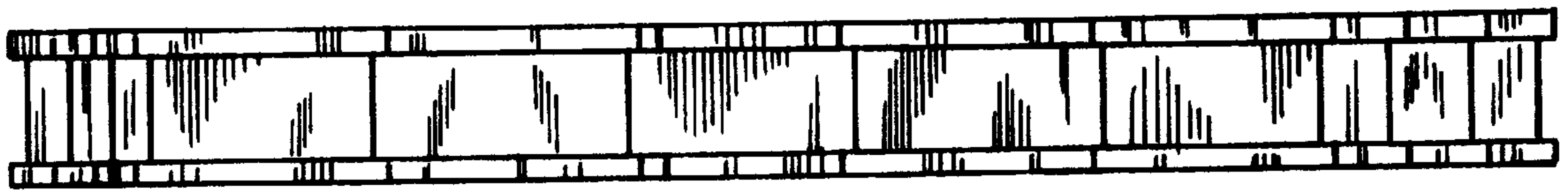
FIG. 1



F I G . 2



F I G . 3



F I G . 4

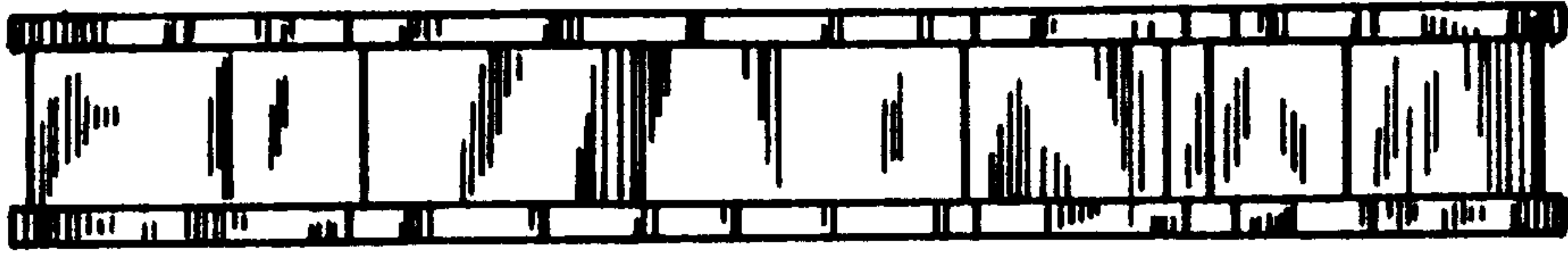


FIG. 6

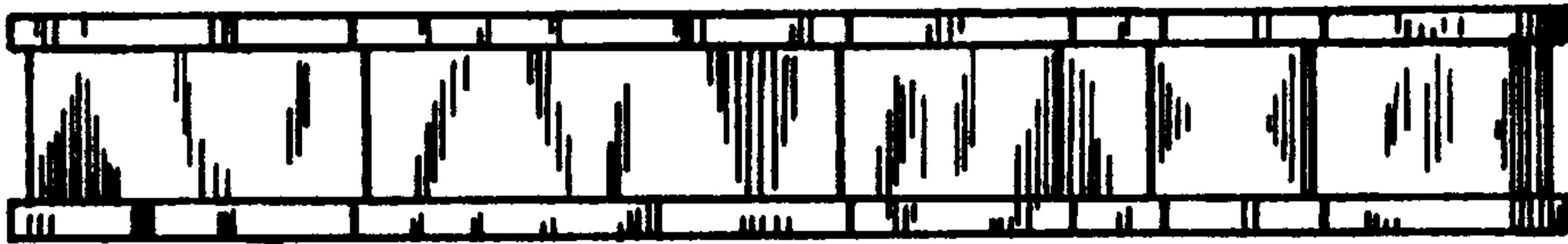


FIG. 5

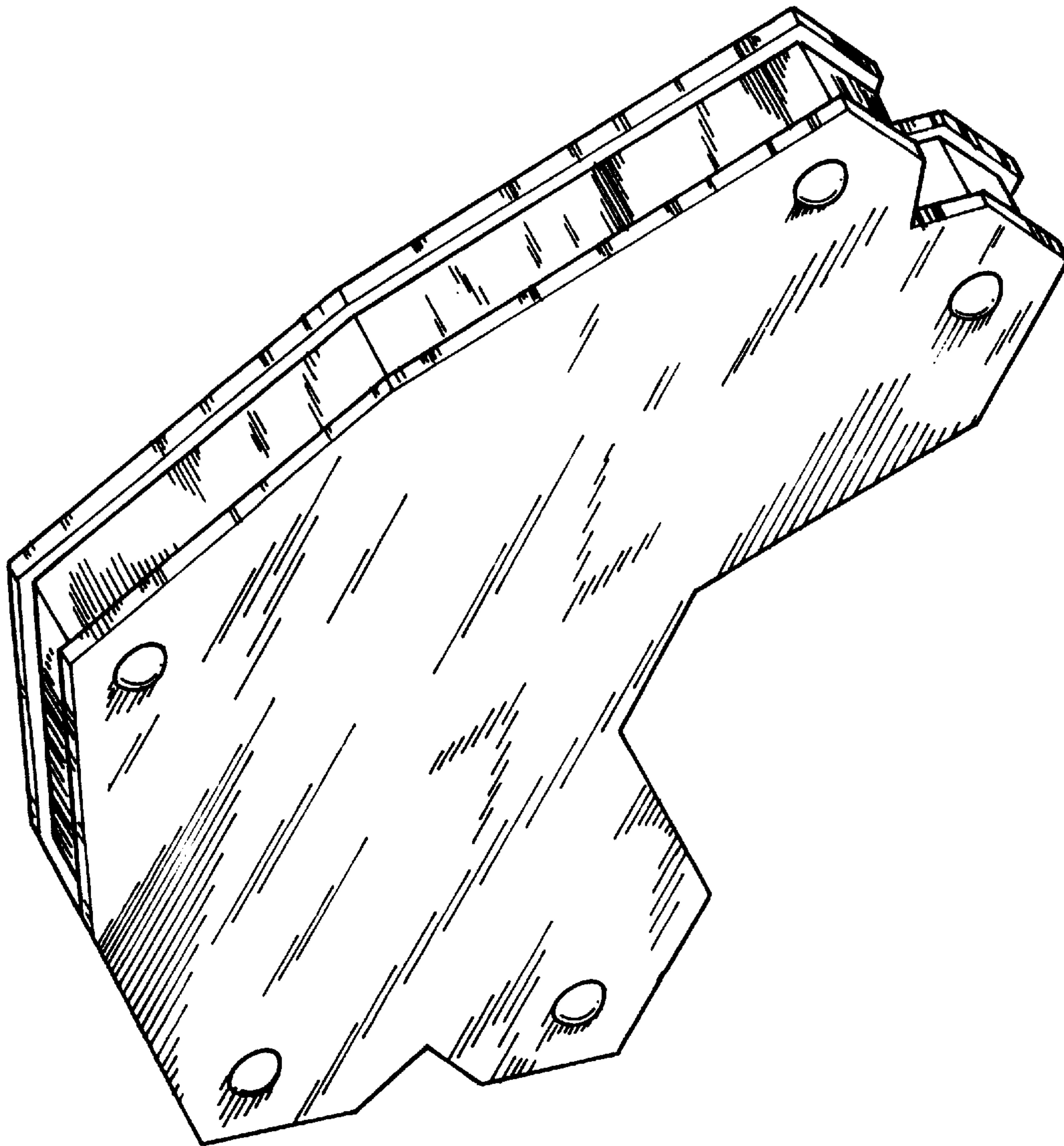


FIG. 7