



US00D426462S

# United States Patent [19] Humphrey

[11] **Patent Number: Des. 426,462**

[45] **Date of Patent: \*\* Jun. 13, 2000**

[54] **PACKAGE**

[75] Inventor: **Neill W. Humphrey**, El Dorada Hills, Calif.

[73] Assignee: **Trade Source International**, El Dorado Hills, Calif.

[\*\*] Term: **14 Years**

[21] Appl. No.: **29/111,290**

[22] Filed: **Sep. 23, 1999**

**Related U.S. Application Data**

[62] Division of application No. 29/092,784, Aug. 27, 1998.

[51] **LOC (7) Cl.** ..... **09-07**

[52] **U.S. Cl.** ..... **D9/418; D9/415**

[58] **Field of Search** ..... D9/415, 418, 414, D9/337; 206/461-471, 495, 775-783, 320

[56] **References Cited**

**U.S. PATENT DOCUMENTS**

- D. 354,679 1/1995 Dunn ..... D9/415
- D. 394,384 5/1998 Humphrey ..... D9/415
- D. 398,226 9/1998 Lai et al. .... D9/418

- D. 405,370 2/1999 Humphrey ..... D9/415 X
- 5,411,138 5/1995 Klawiter ..... 206/775 X
- 5,622,258 4/1997 Baublitz et al. .... 106/779 X
- 5,890,593 4/1999 Humphrey ..... 206/471

**OTHER PUBLICATIONS**

Techform Inc (From 206/461 Shoe), Nov. 1982.  
Modern Packaging, APGE 300, Jan. 1941.

*Primary Examiner*—Prabhakar Deshmukh  
*Attorney, Agent, or Firm*—Oppenheimer Wolff & Donnelly LLP

[57] **CLAIM**

The ornamental design for a package, as shown and described.

**DESCRIPTION**

FIG. 1 is a perspective view of a package showing my new design;  
FIG. 2 is a front elevational view thereof;  
FIG. 3 is a top plan view thereof; and,  
FIG. 4 is a left side elevational view thereof; the right side elevational view being a mirror image thereof.  
The bottom is plain and unornamented.

**1 Claim, 2 Drawing Sheets**

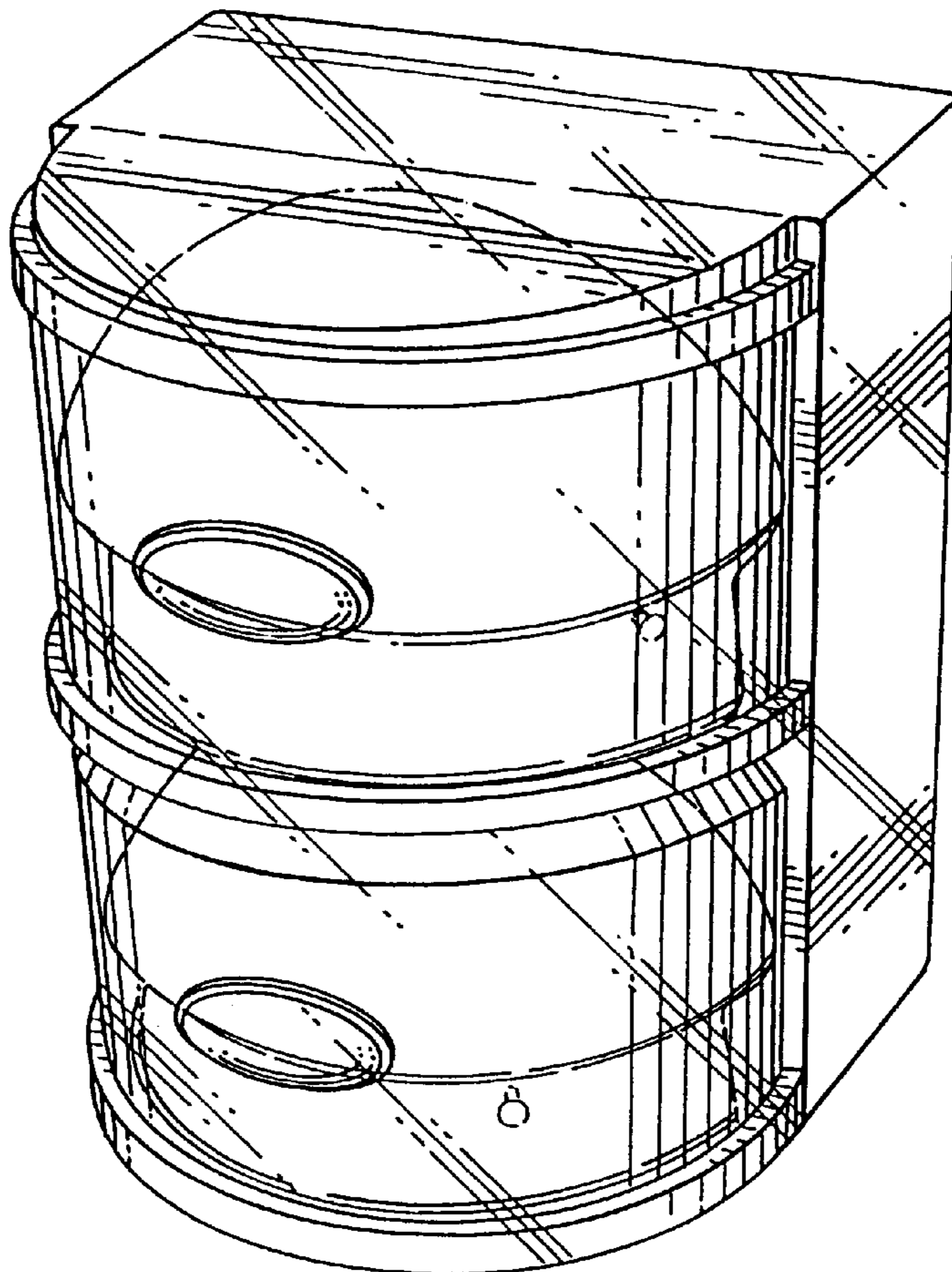


FIG. 1

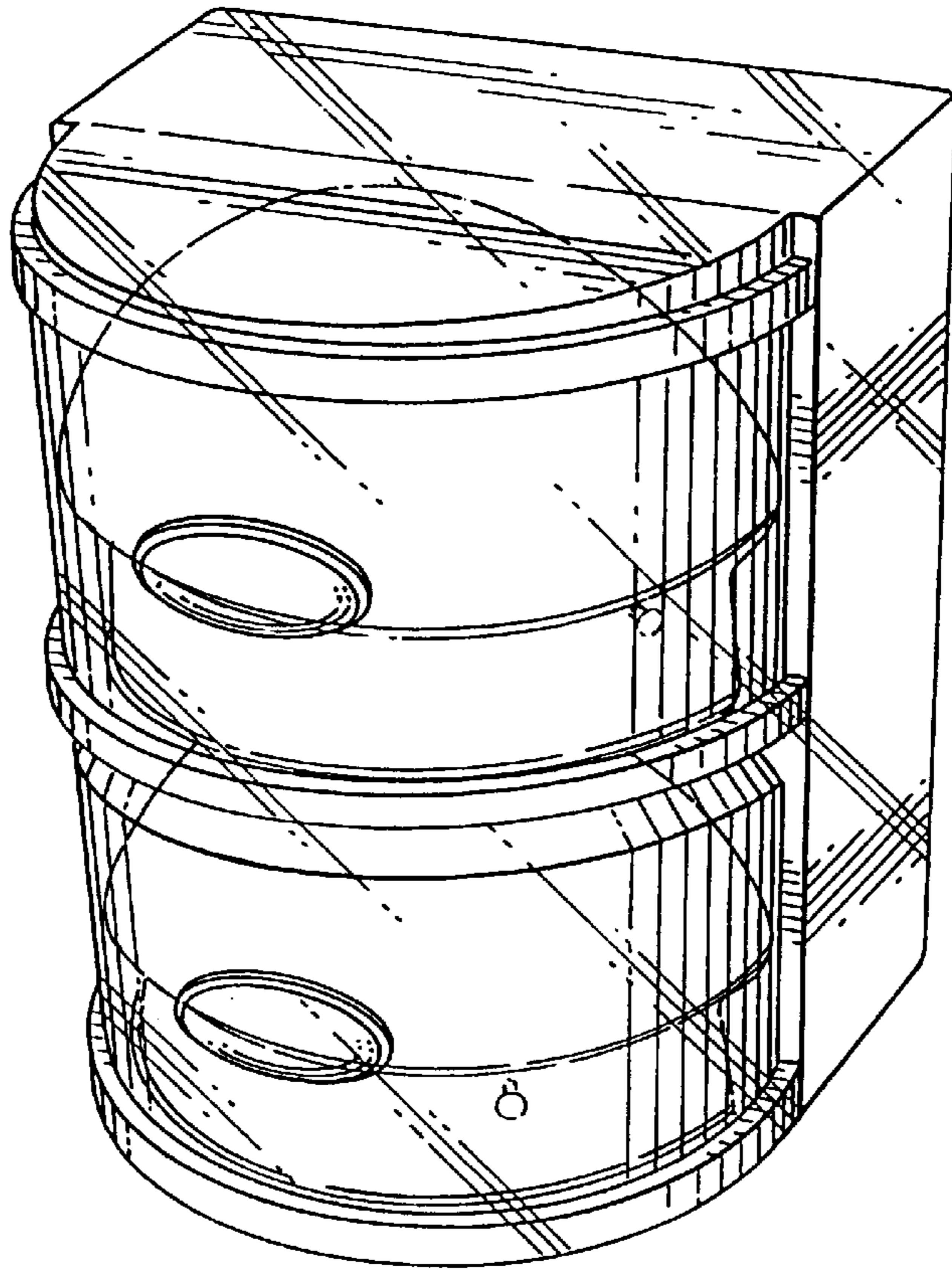


FIG. 2

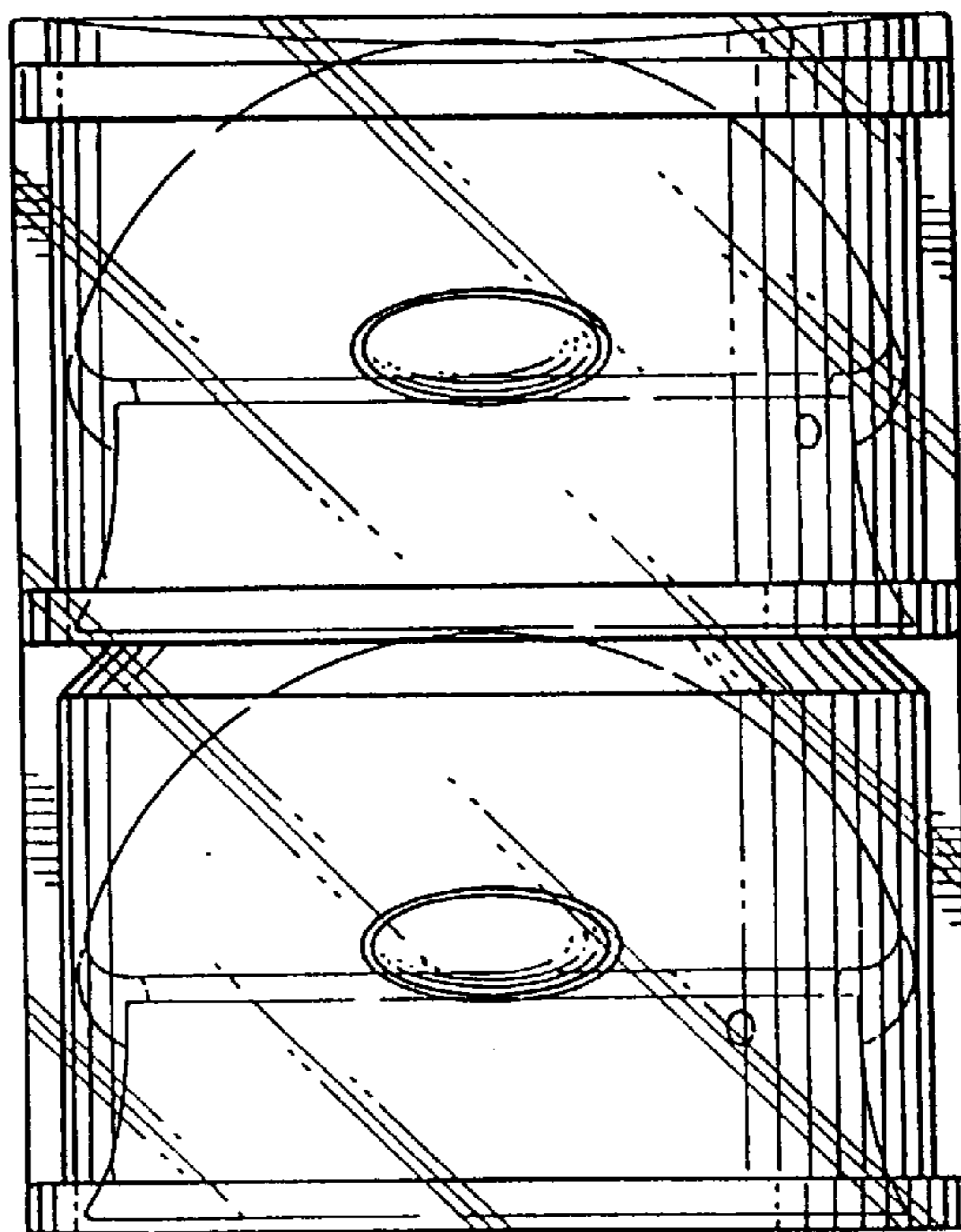


FIG. 3

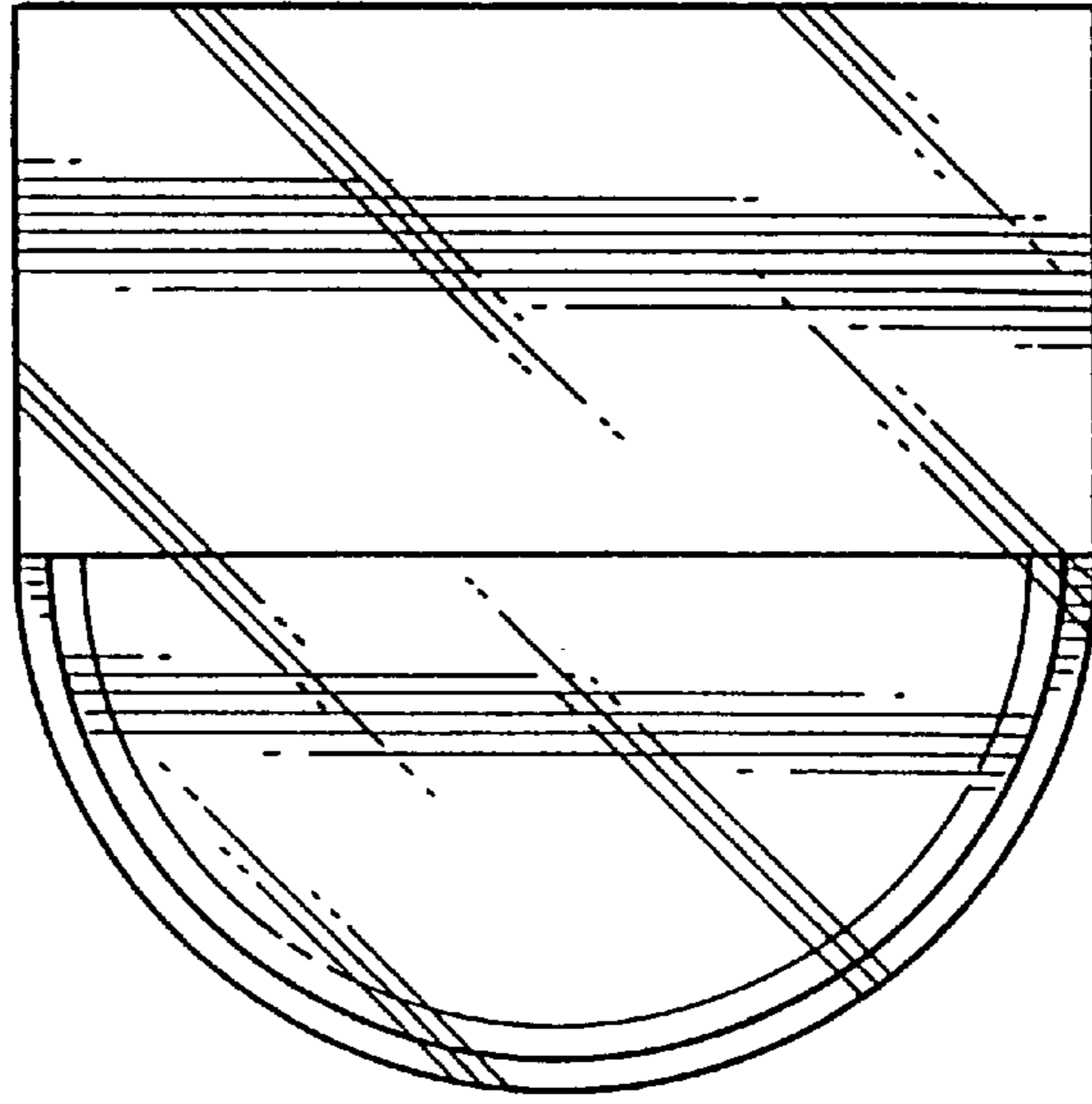


FIG. 4

