



US00D426459S

United States Patent [19]
van den Branden et al.

[11] **Patent Number: Des. 426,459**

[45] **Date of Patent: ** Jun. 13, 2000**

[54] **CLAMP**

[75] Inventors: **David J. van den Branden; Paul C. Evans**, both of Chicago, Ill.; **Michael D. McCoy**, Buena Vista, Colo.; **Dale E. Fahnstrom**, Chicago, Ill.; **Burton F. Mendelson; Charles H. Dresner**, both of Northbrook, Ill.; **Lawrence J. Pomerleau**, Lake Zurich, Ill.

[73] Assignee: **Kenlin Enterprises, Inc.**, Highland Park, Ill.

[**] Term: **14 Years**

[21] Appl. No.: **29/107,526**

[22] Filed: **Jul. 7, 1999**

[51] **LOC (7) Cl.** **08-08**

[52] **U.S. Cl.** **D8/394**

[58] **Field of Search** D8/394-396, 312; 24/568, 569; D19/65; 248/534, 540, 511, 229.1, 229.12, 230.1, 230.3, 230.21, 316.1

[56] **References Cited**

U.S. PATENT DOCUMENTS

D. 196,142	8/1963	Storm .	
D. 204,086	3/1966	Russell .	
D. 387,092	12/1997	Elkins	D19/65
2,926,410	3/1960	Normandin .	
3,396,438	8/1968	White .	
5,344,115	9/1994	Mayne et al. .	
5,535,973	7/1996	Bailey et al. .	

Primary Examiner—B. J. Bullock
Attorney, Agent, or Firm—Tilton, Fallon, Lungmus & Chestnut

[57] **CLAIM**

The ornamental design for a clamp, as shown and described.

DESCRIPTION

FIG. 1 is a front perspective view of the clamp;
 FIG. 2 is a rear perspective view of the clamp shown in FIG. 1;
 FIG. 3 is a top plan view of the clamp shown in FIG. 1 (with the bottom plan view being identical);
 FIG. 4 is a rear elevational view of the clamp shown in FIG. 1;
 FIG. 5 is a front elevational view of the clamp shown in FIG. 1;
 FIG. 6 is a left side view of the clamp shown in FIG. 1;
 FIG. 7 is a right side view of the clamp shown in FIG. 1;
 FIG. 8 is a front perspective view similar to that of FIG. 1 of a second embodiment of the clamp;
 FIG. 9 is a rear perspective view of the clamp shown in FIG. 10;
 FIG. 10 top plan view of the clamp shown in FIG. 10 (with the bottom plan being a mirror image);
 FIG. 11 is a rear elevational view of the clamp shown in FIG. 10;
 FIG. 12 is a front elevational view of the clamp shown in FIG. 10;
 FIG. 13 is a left side view of the clamp shown in FIG. 10; and,
 FIG. 14 is a right side view of the clamp shown in FIG. 10.

1 Claim, 6 Drawing Sheets

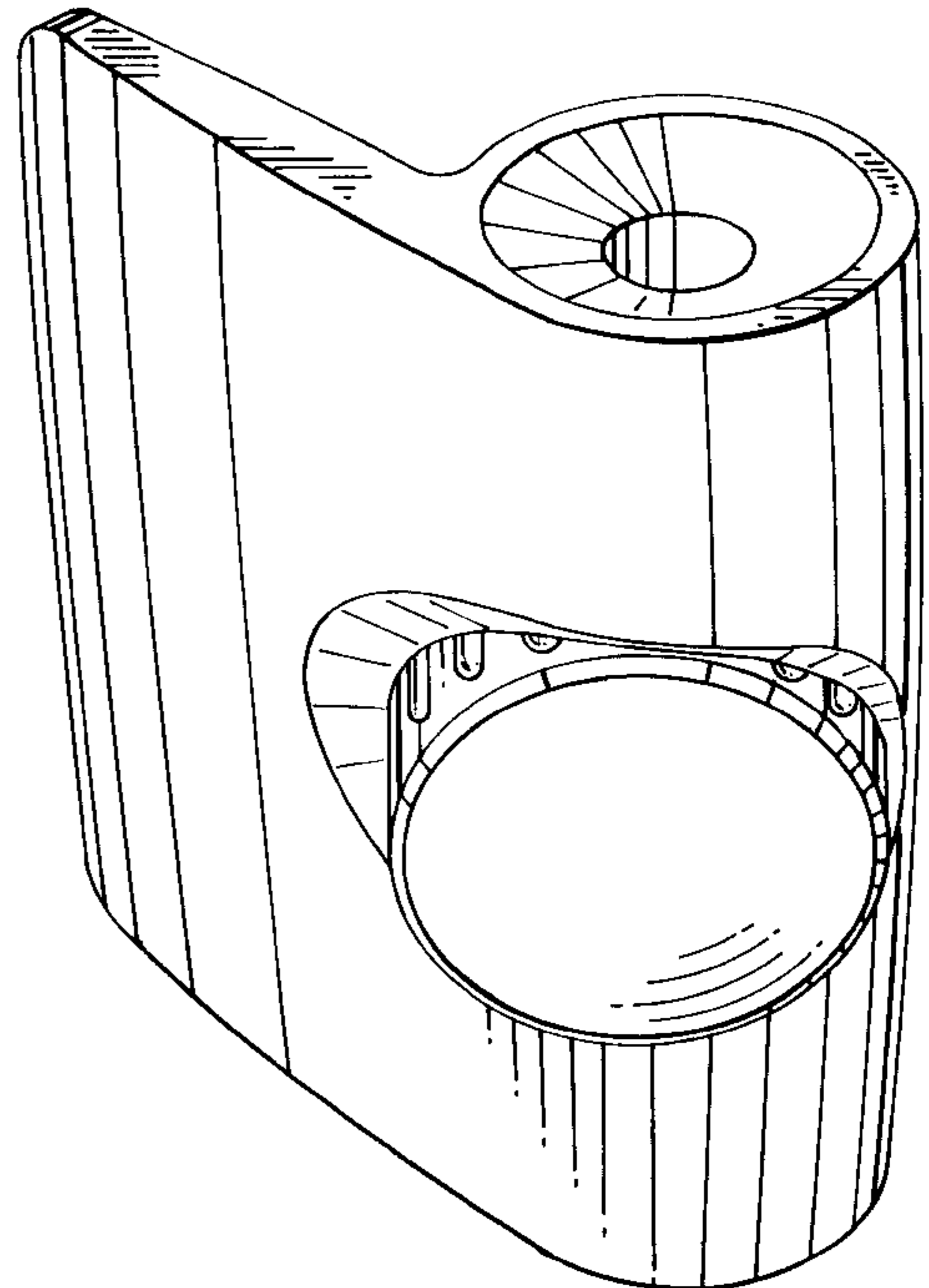
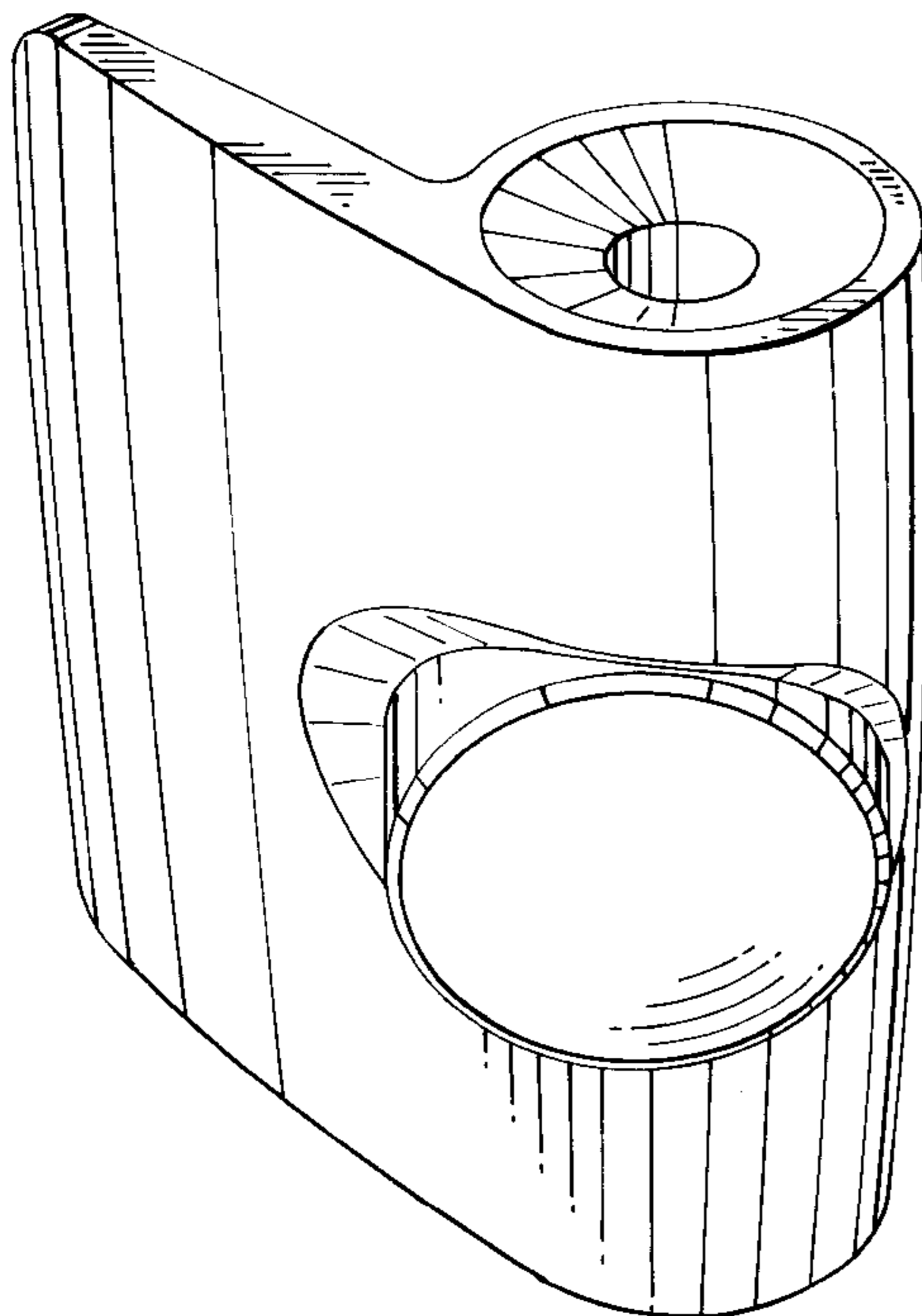


FIG. 1

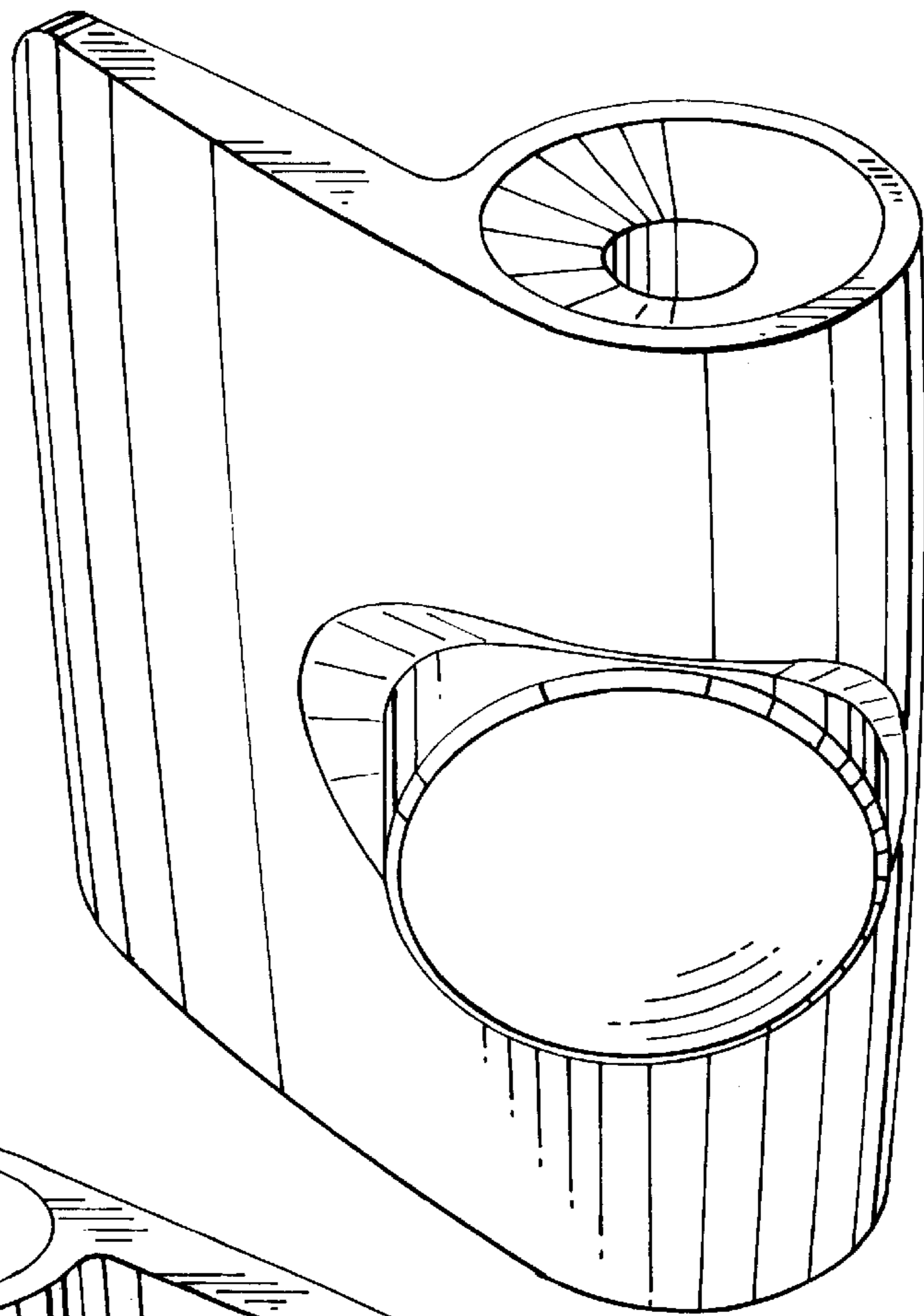


FIG. 2

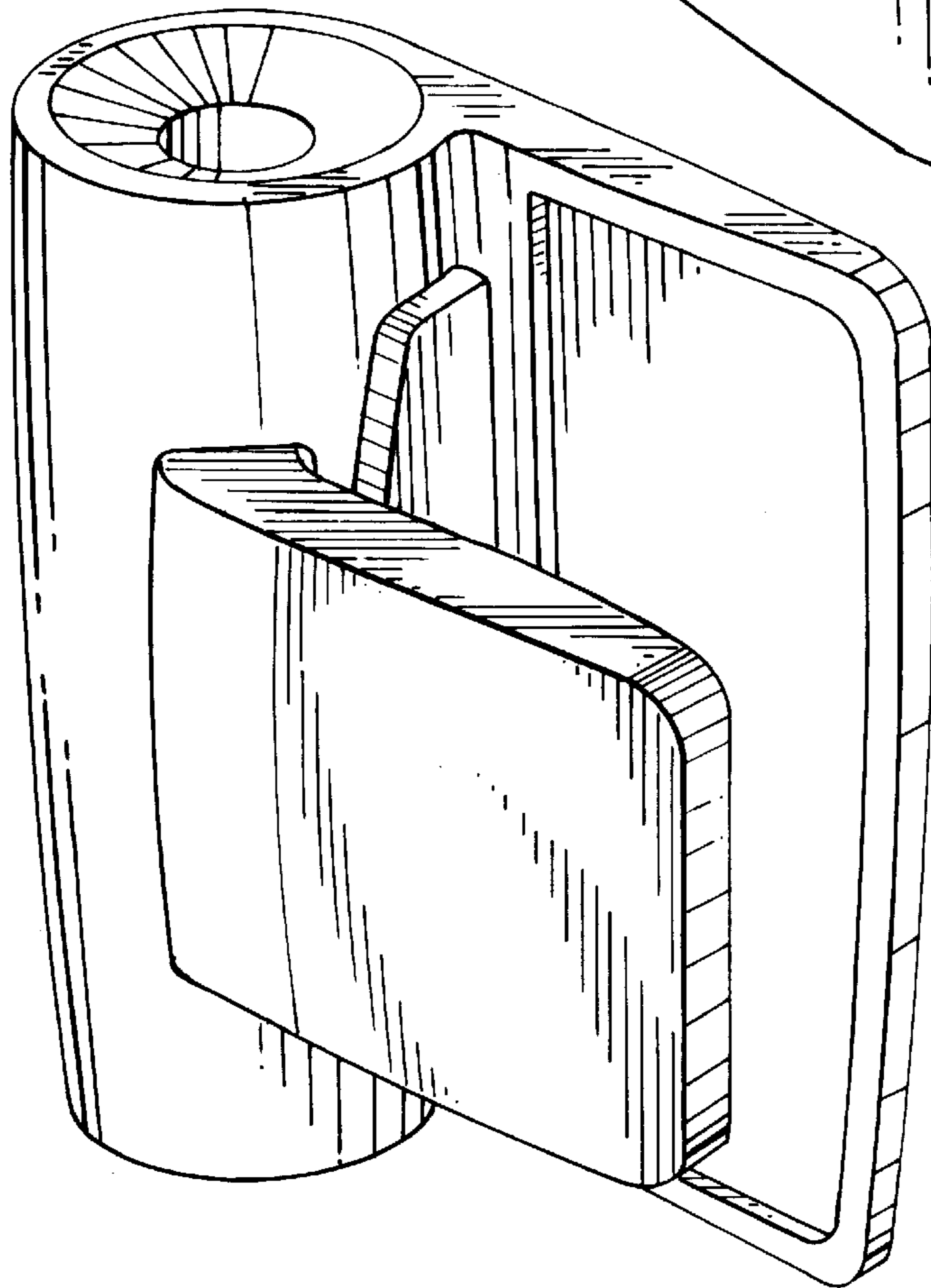


FIG. 3

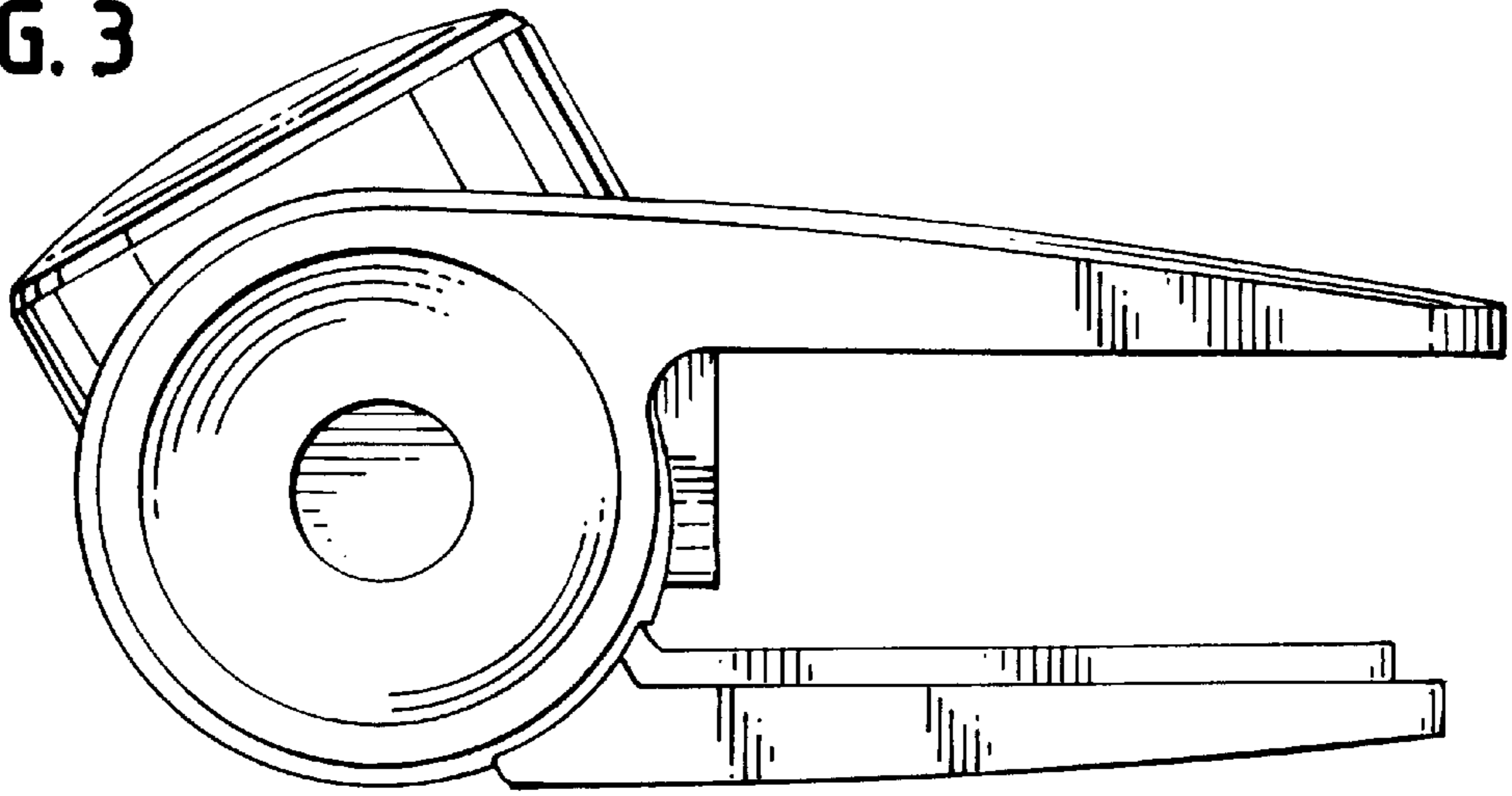


FIG. 4

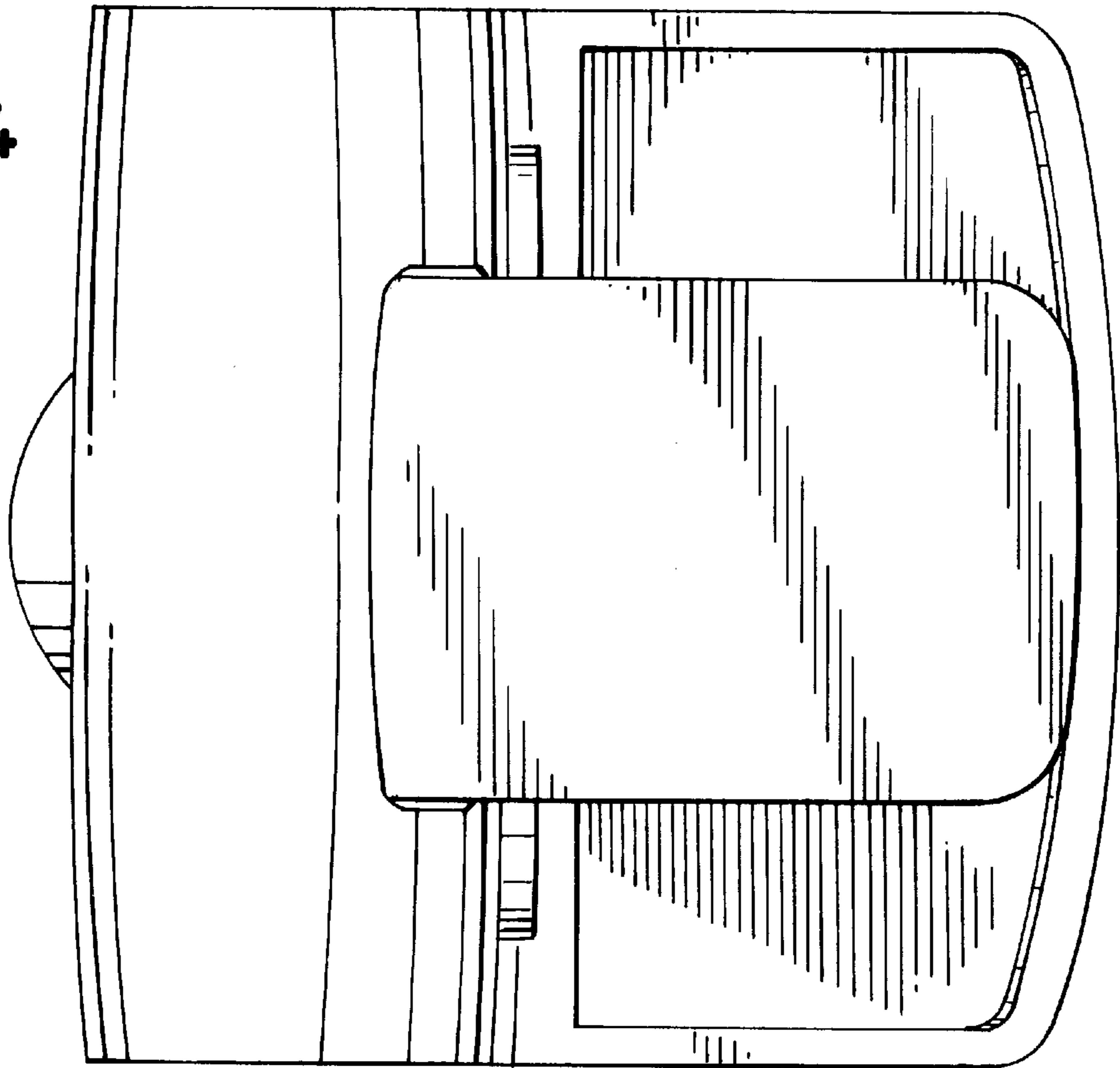


FIG. 5

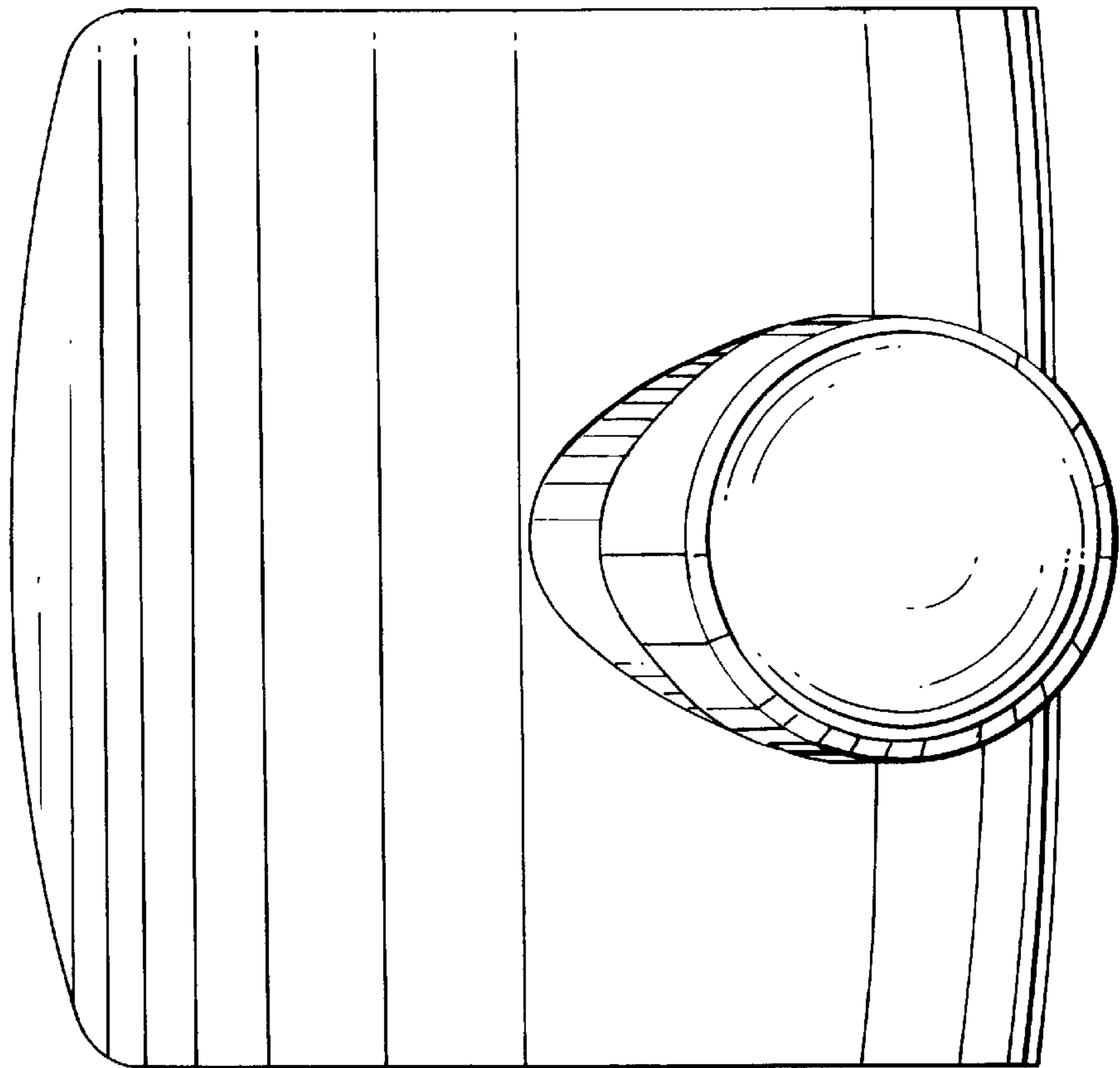


FIG. 6

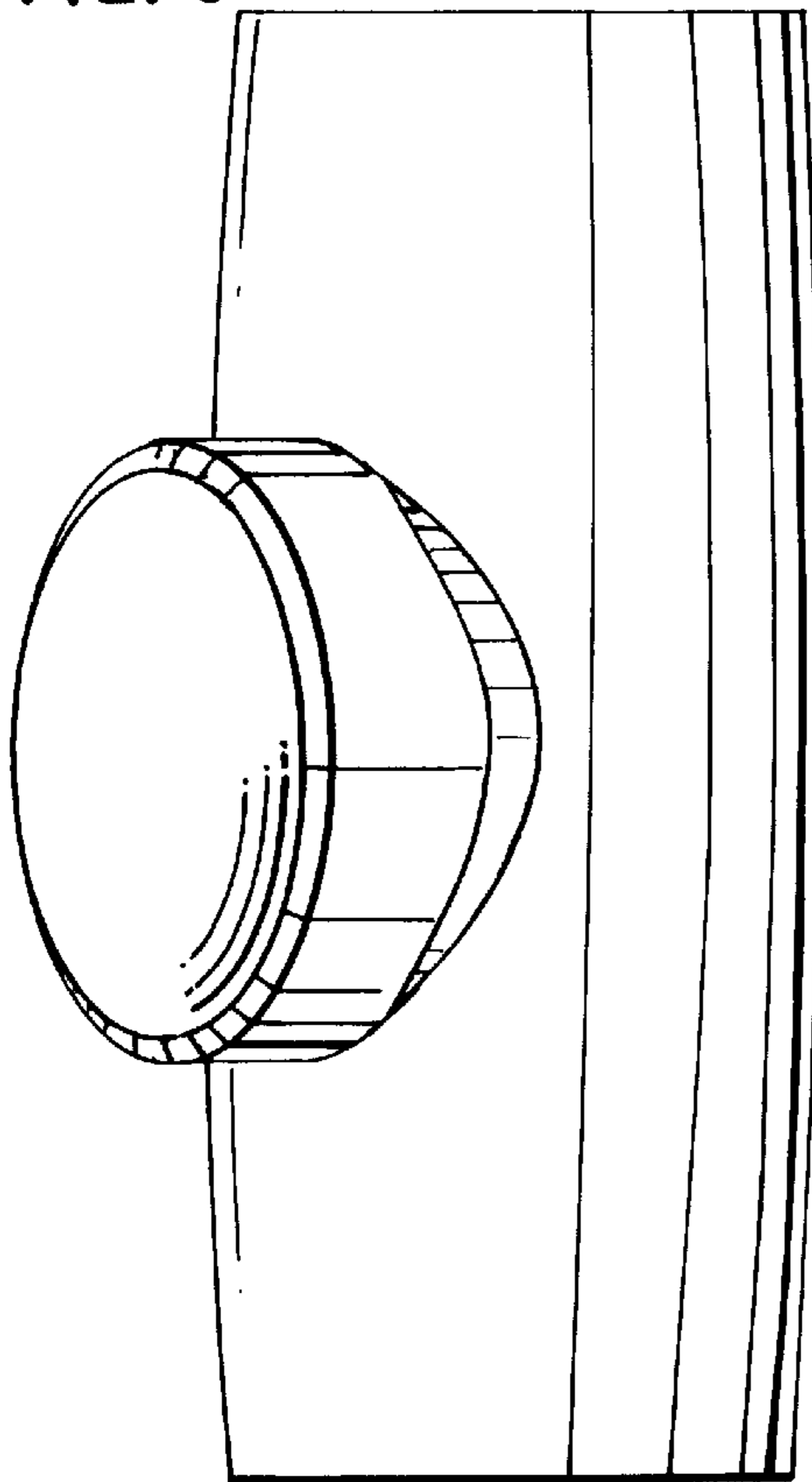


FIG. 7

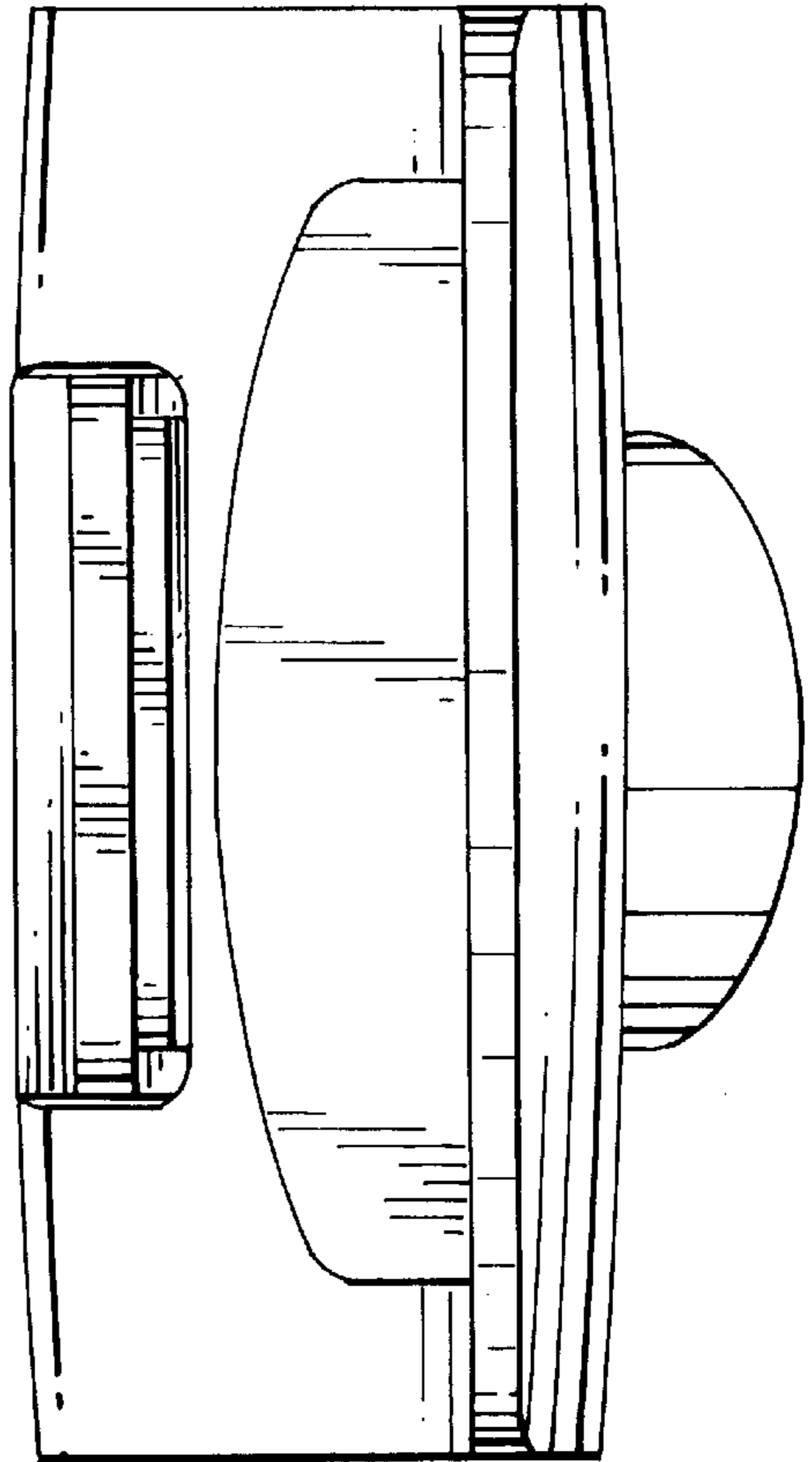


FIG. 8

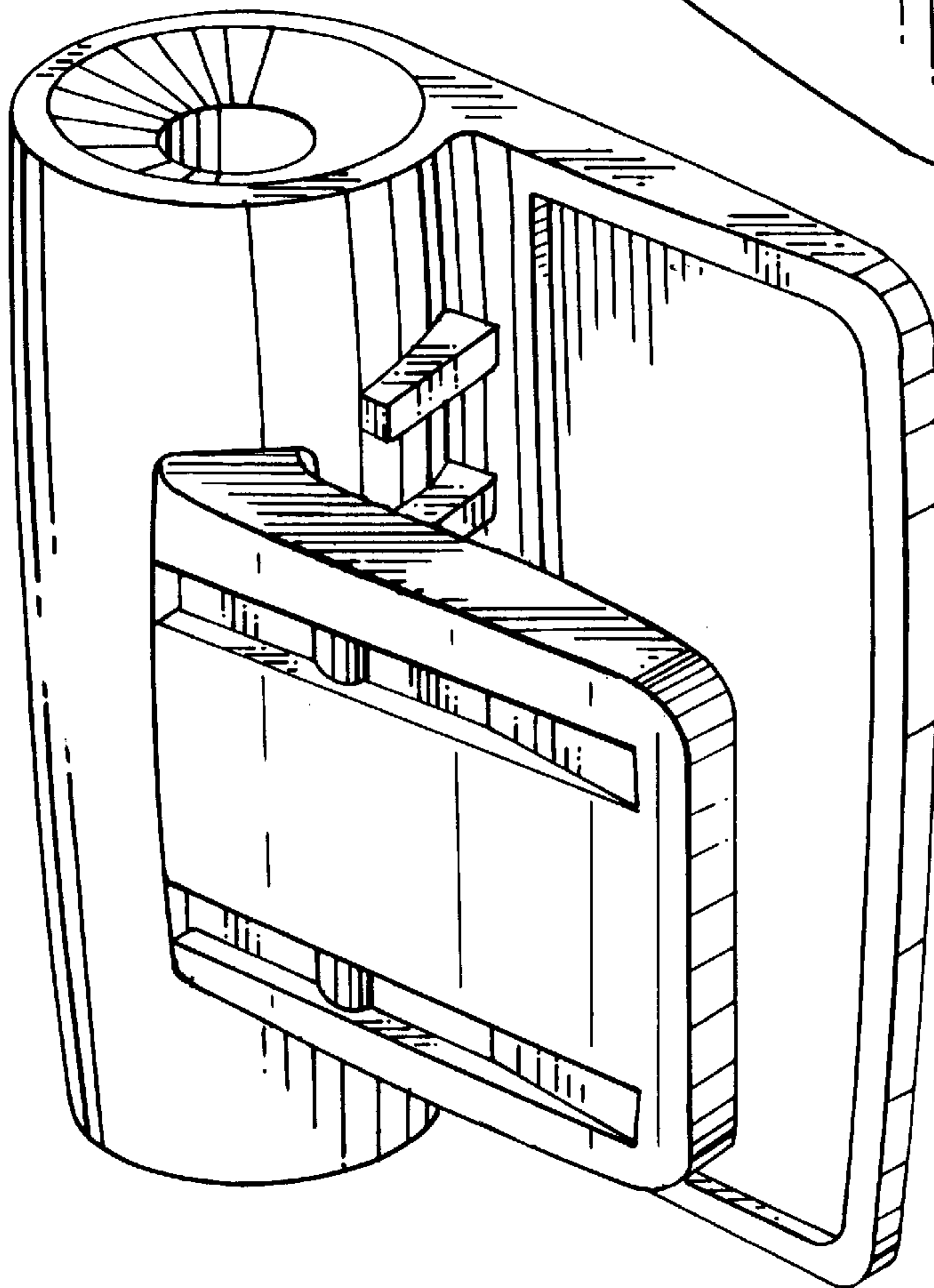
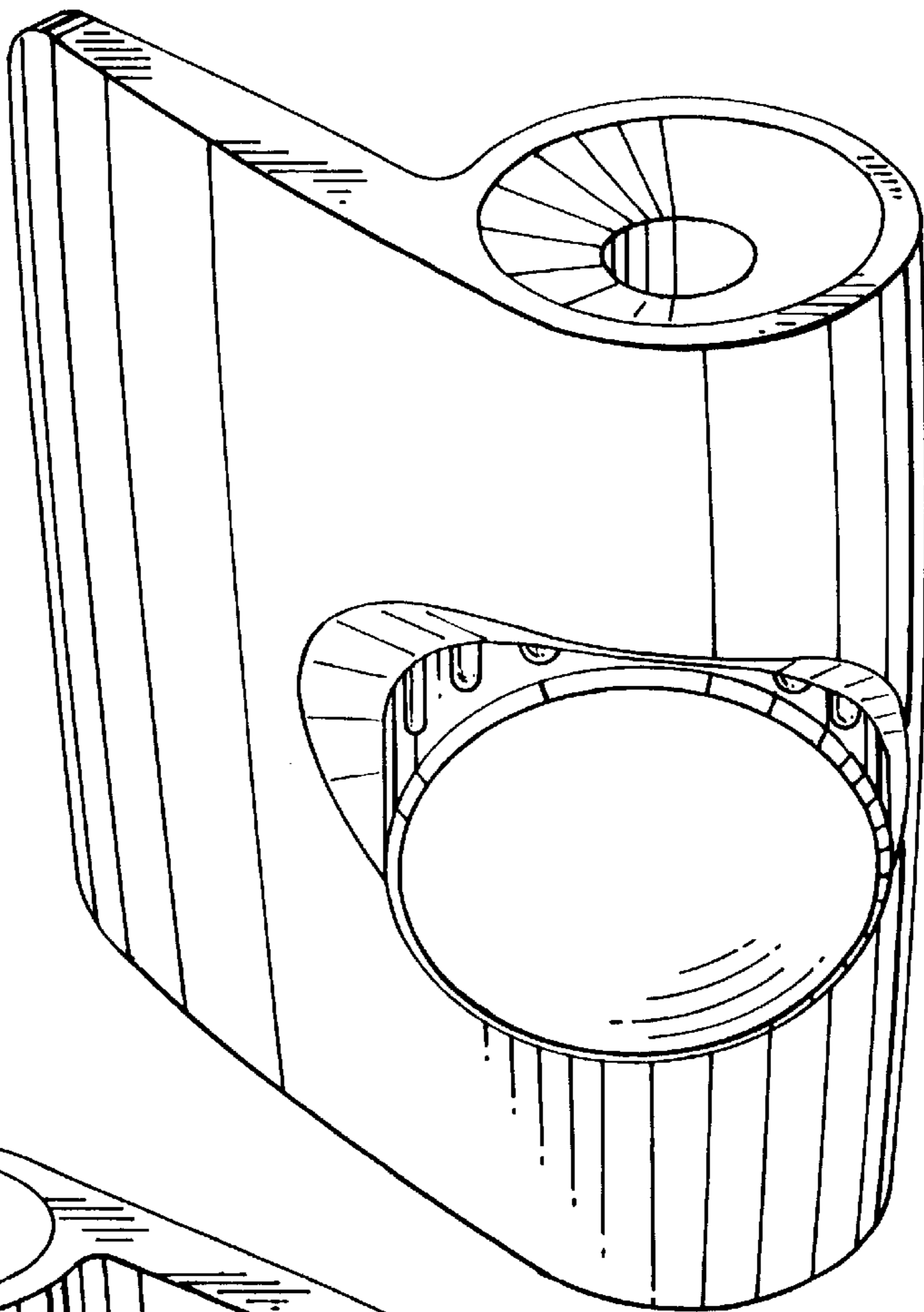


FIG. 9

FIG. 10

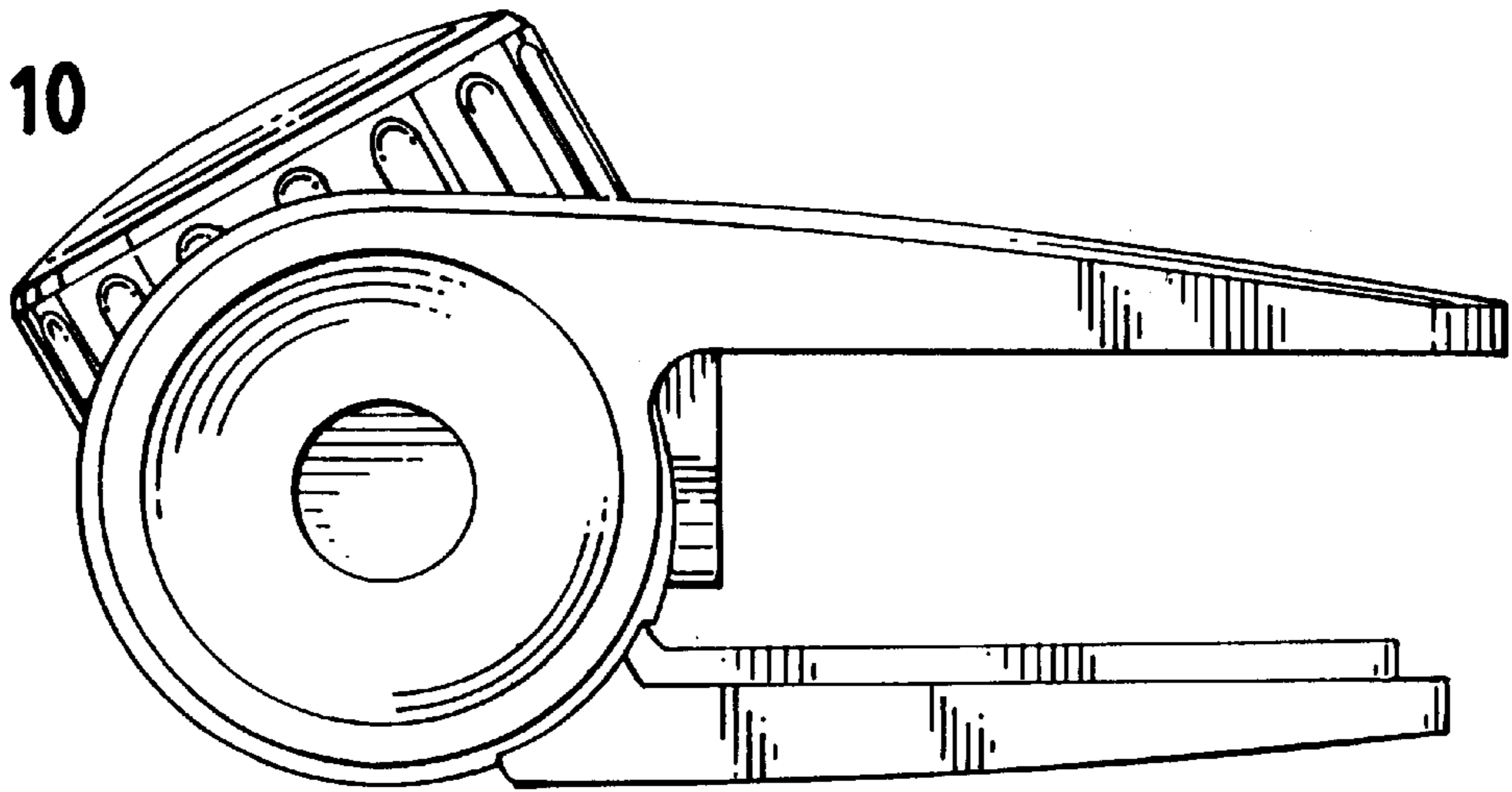


FIG. 11

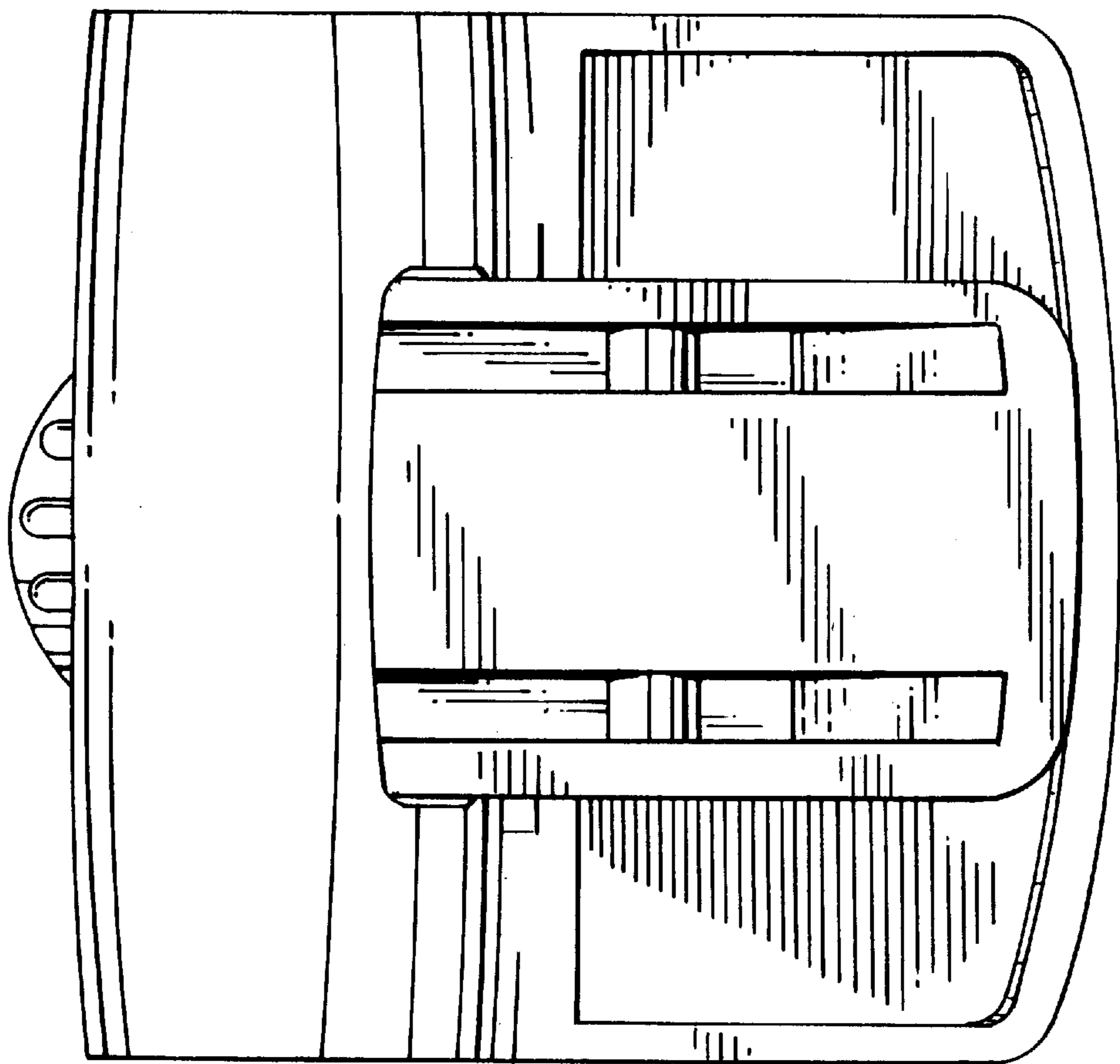


FIG. 12

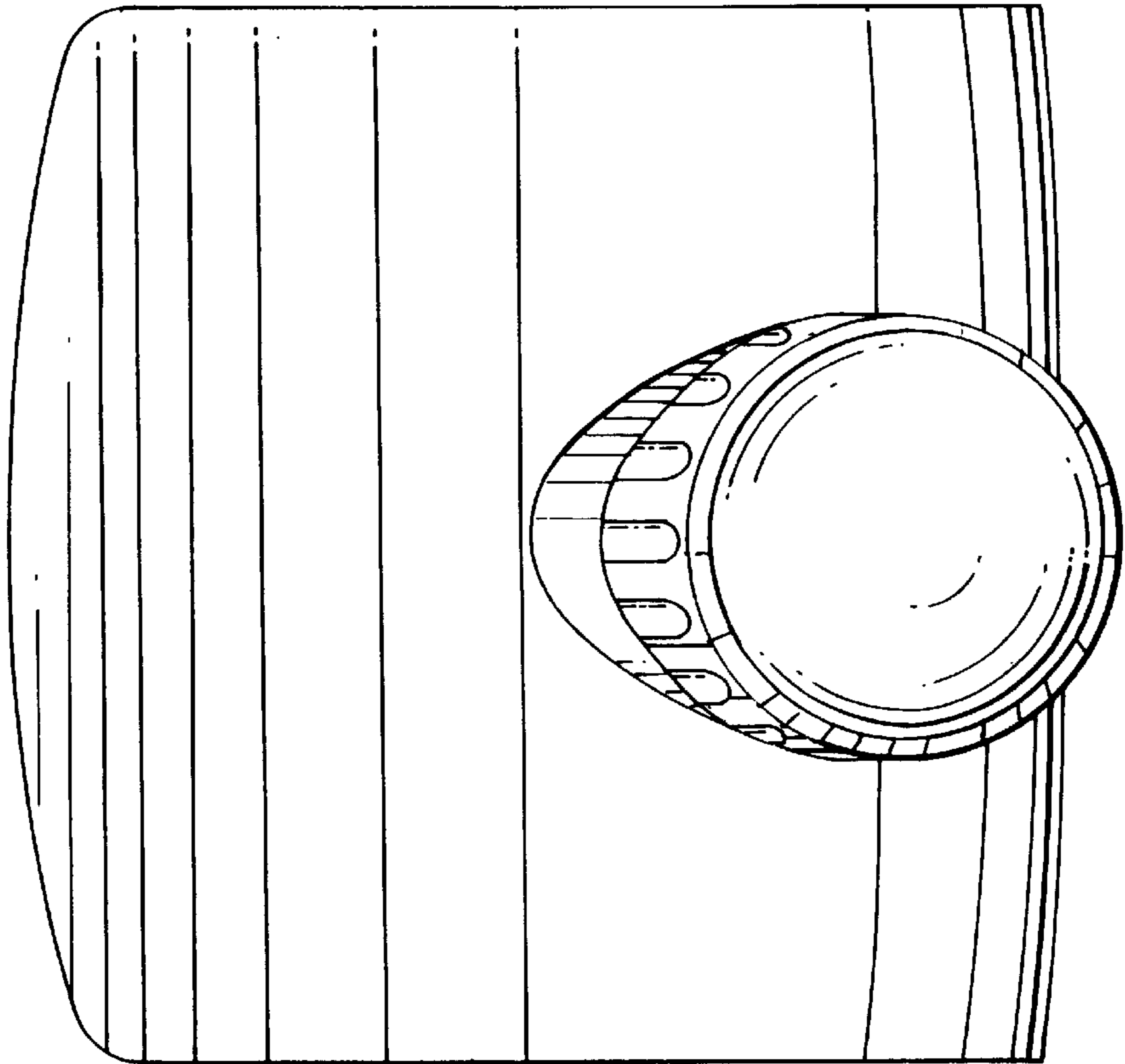


FIG. 13

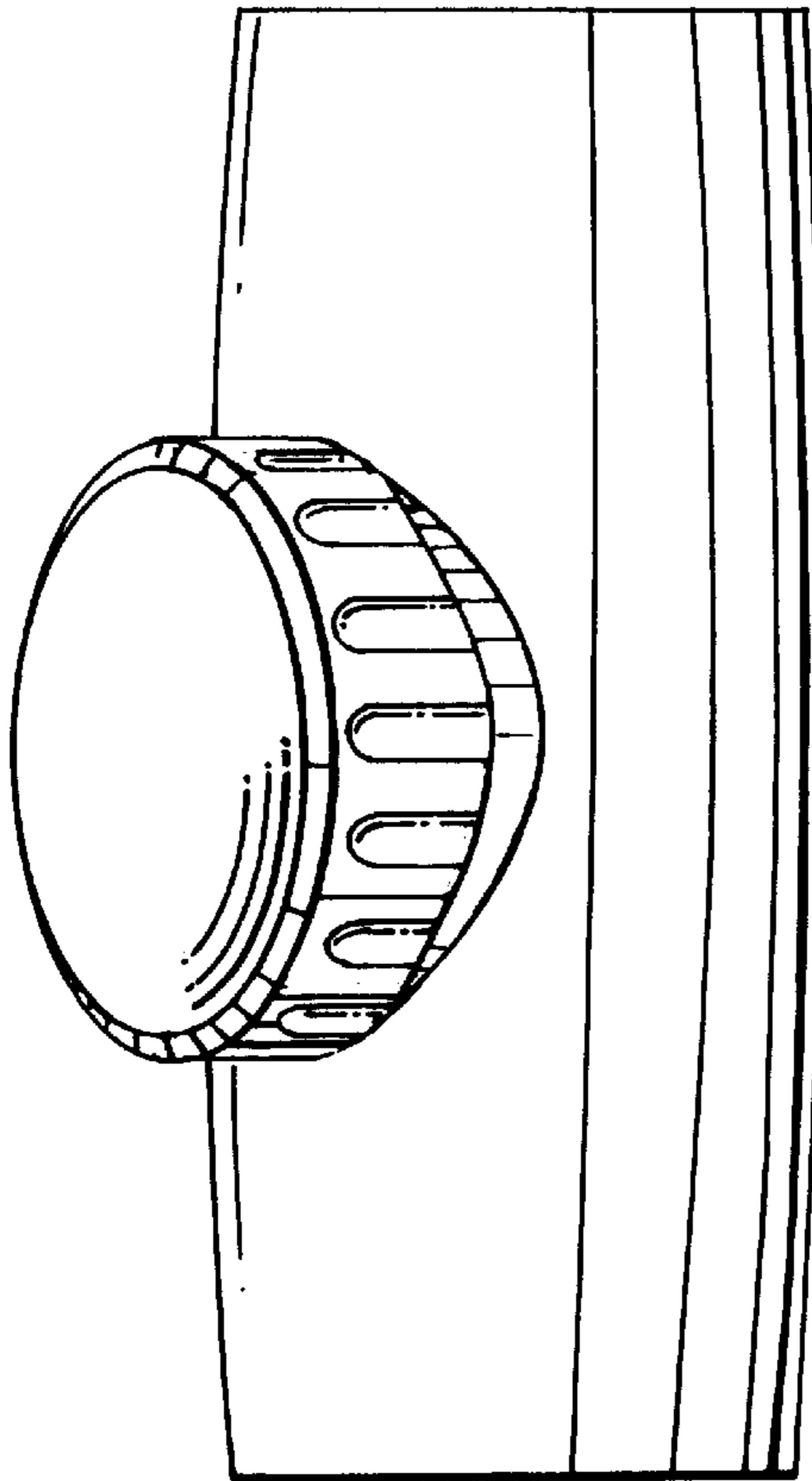


FIG. 14

