



US00D426457S

# United States Patent [19]

Sato et al.

[11] Patent Number: **Des. 426,457**

[45] Date of Patent: **\*\* Jun. 13, 2000**

[54] **FLEXIBLE JOINT**

[75] Inventors: **Taichi Sato**, Nagaokakyo; **Yasushi Fujita**, Hyogo-ken, both of Japan

[73] Assignee: **Waterworks Technology Development Organization Co., Ltd.**, Osaka, Japan

[\*\*] Term: **14 Years**

[21] Appl. No.: **29/111,728**

[22] Filed: **Oct. 1, 1999**

[51] **LOC (7) Cl.** ..... **08-08**

[52] **U.S. Cl.** ..... **D8/382**

[58] **Field of Search** ..... D8/382; 403/169-170, 403/173-174, 205, 312, 177-178, 300, 305-306; D23/262; 285/165-166

[56] **References Cited**

**U.S. PATENT DOCUMENTS**

D. 291,482	8/1987	Vassallo et al. ....	D23/262
D. 392,372	3/1998	Saito et al. ....	D23/264
3,476,413	11/1969	Coberly et al. ....	403/300
4,756,639	7/1988	Hoshino ....	403/297

4,906,122	3/1990	Barrett et al. ....	403/305
5,052,849	10/1991	Zwart ....	403/300
5,375,939	12/1994	Brown et al. ....	403/300

**FOREIGN PATENT DOCUMENTS**

938464 11/1995 Japan .

*Primary Examiner*—Holly Baynham  
*Attorney, Agent, or Firm*—Knobbe, Martens, Olson & Bear, LLP

[57] **CLAIM**

The ornamental design for a flexible joint, as shown and described.

**DESCRIPTION**

FIG. 1 is a front view of a flexible joint.  
FIG. 2 is a rear view of the flexible joint.  
FIG. 3 is a top plan view of the flexible joint.  
FIG. 4 is a bottom plan view of the flexible joint.  
FIG. 5 is a left side view of the flexible joint.  
FIG. 6 is a right side view of the flexible joint; and,  
FIG. 7 is a perspective view of the flexible joint.

**1 Claim, 3 Drawing Sheets**

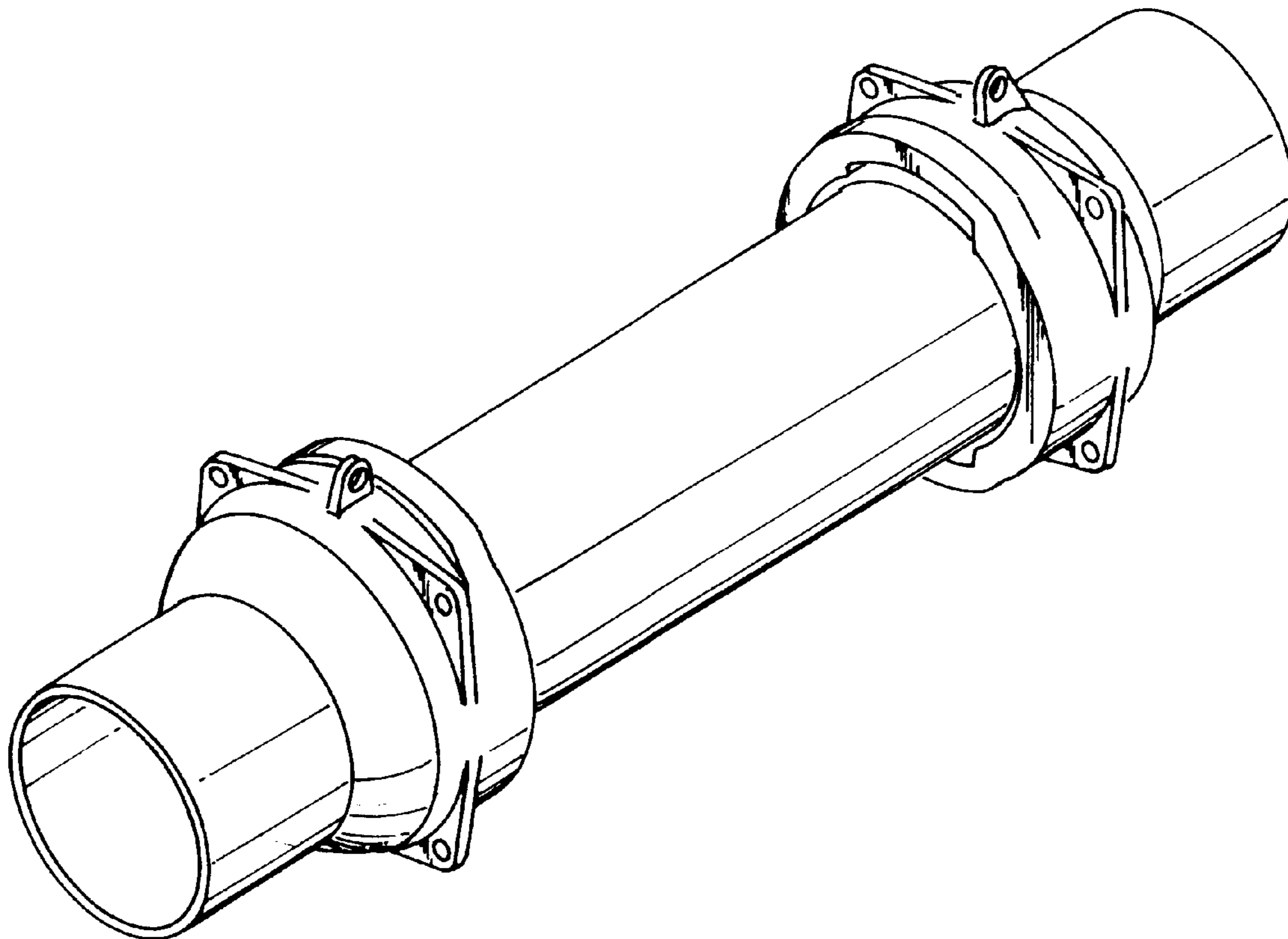


FIG.1

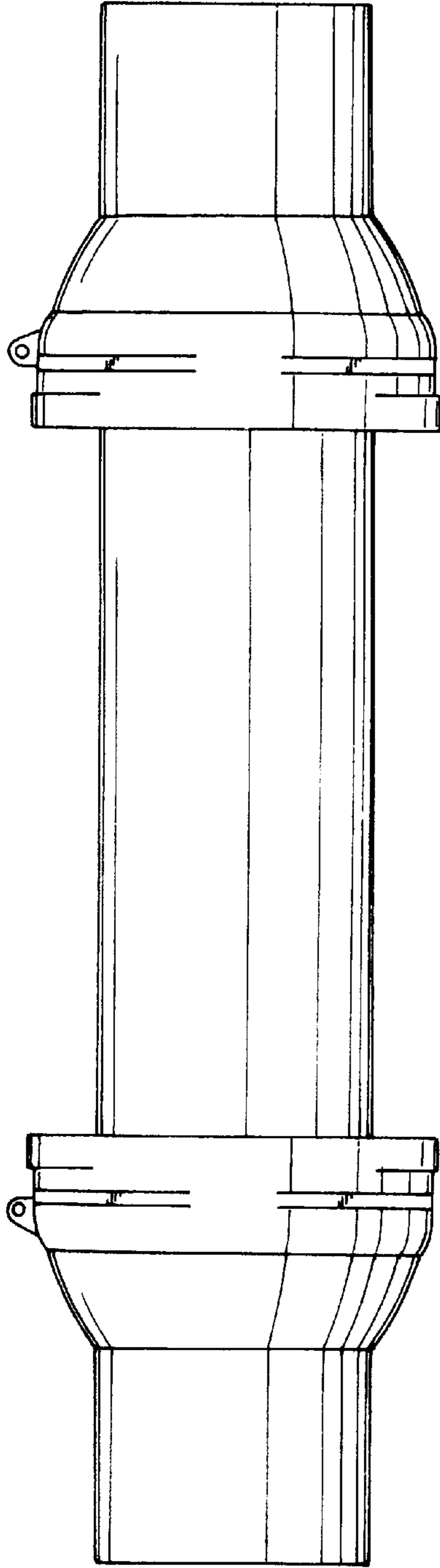


FIG.2

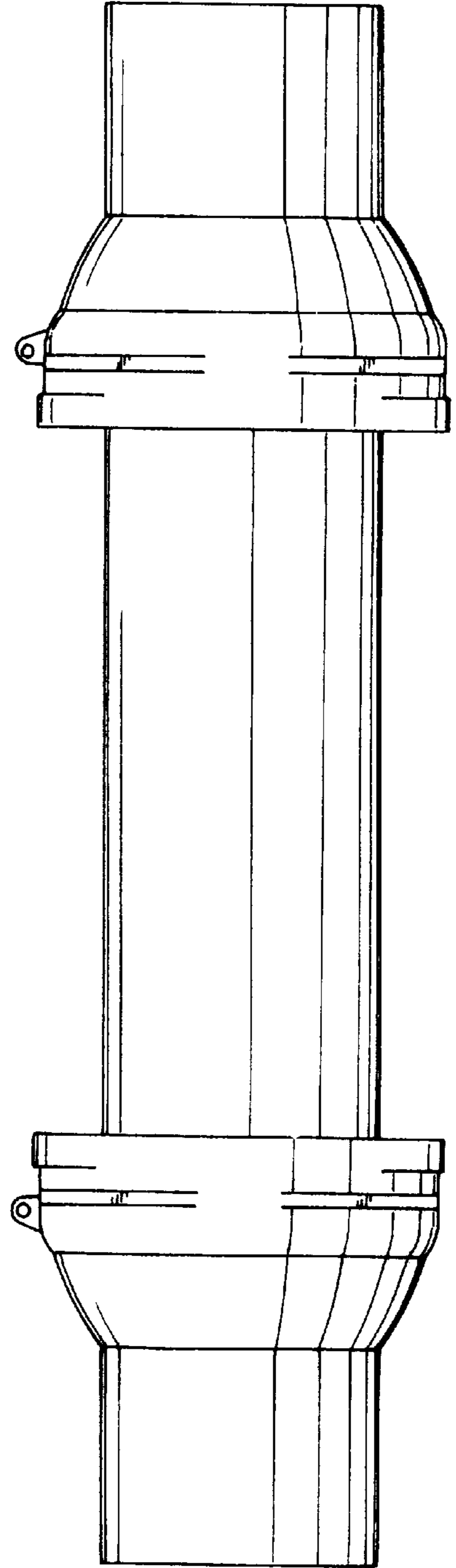


FIG.3

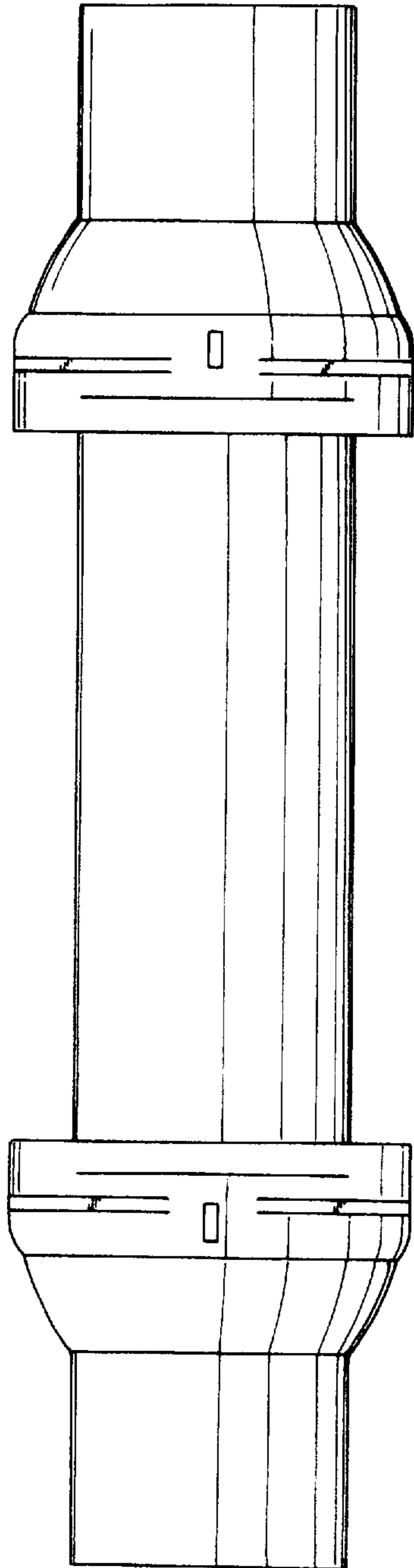


FIG.4

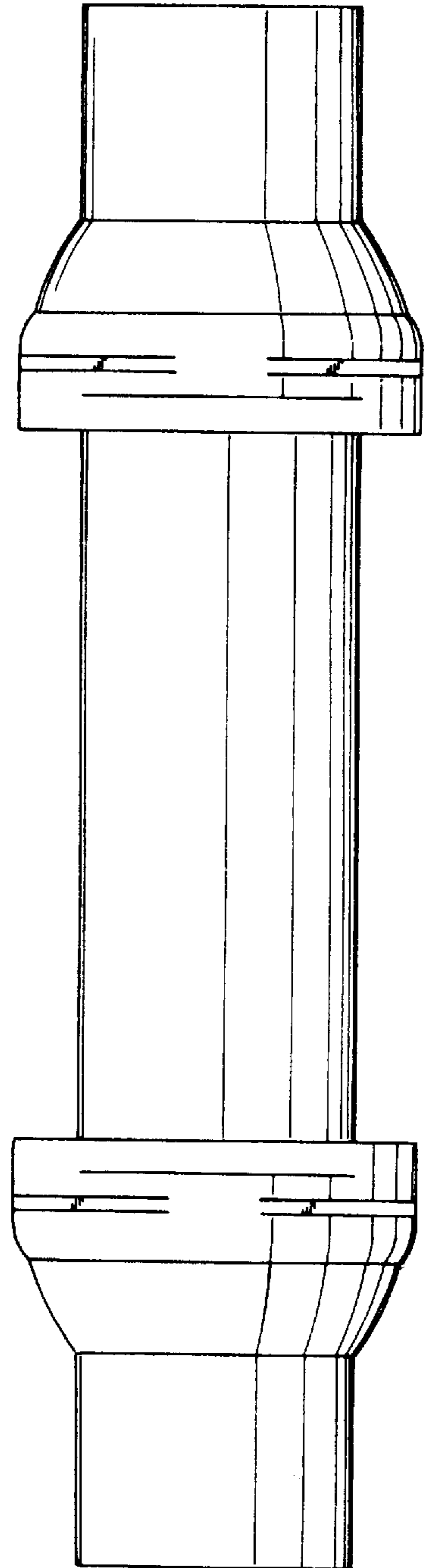


FIG.5

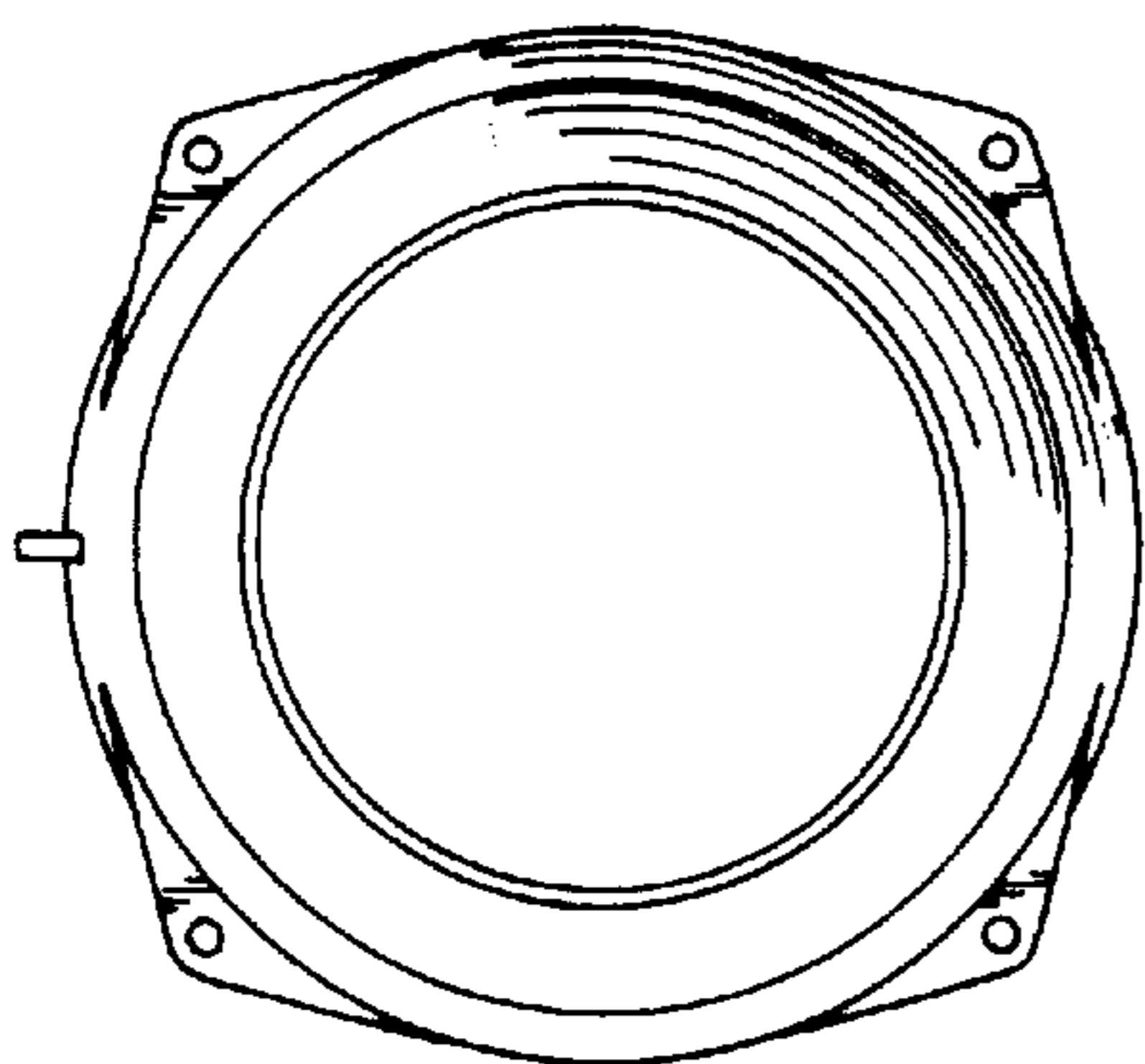


FIG.6

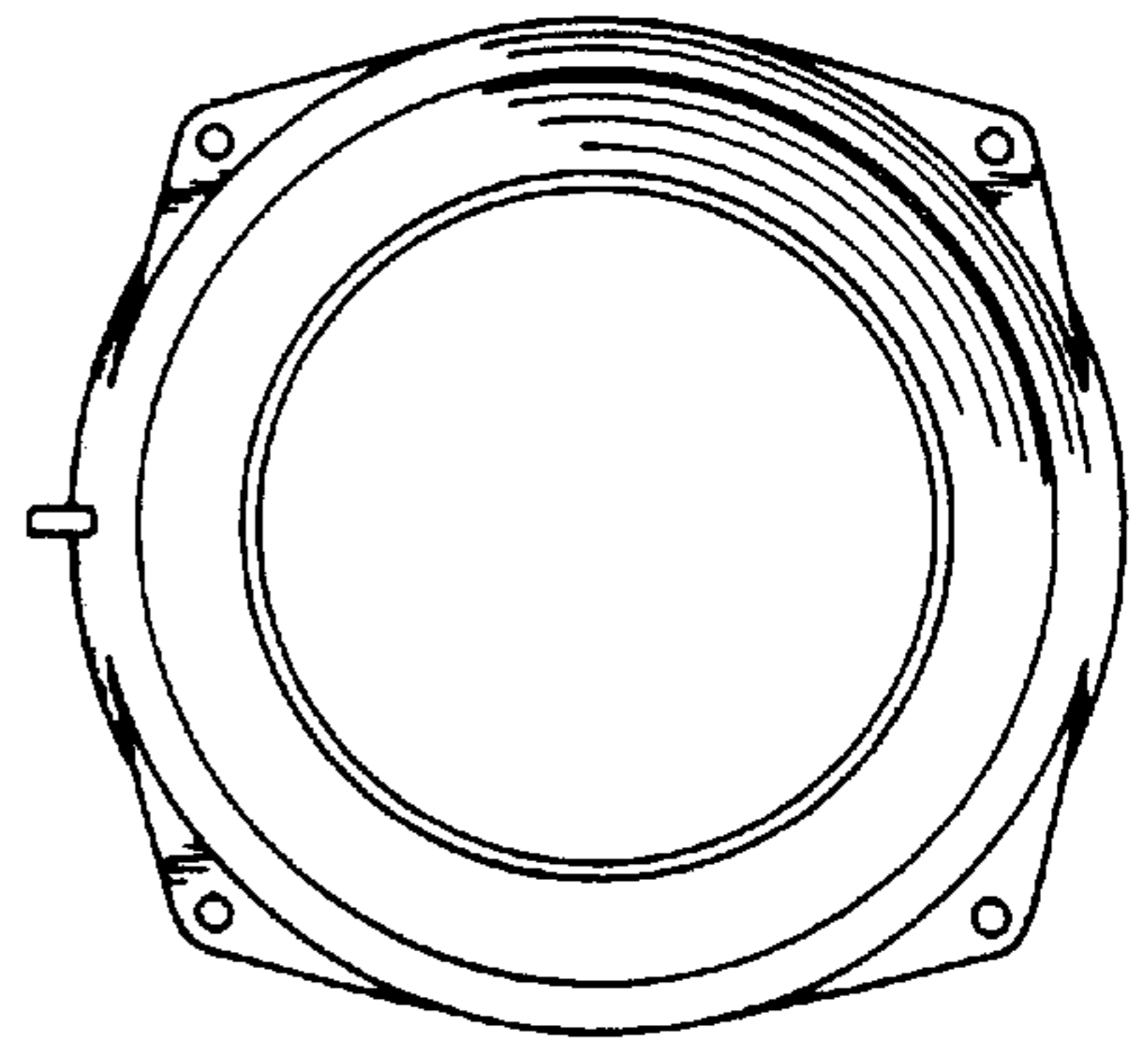


FIG.7

