



US00D426455S

United States Patent [19]

Sato et al.

[11] **Patent Number: Des. 426,455**

[45] **Date of Patent: ** Jun. 13, 2000**

[54] **FLEXIBLE JOINT**

[75] Inventors: **Taichi Sato**, Nagaokakyo; **Yasushi Fujita**, Hyogo-ken, both of Japan

[73] Assignee: **Waterworks Technology Development Organization Co., Ltd.**, Osaka, Japan

[**] Term: **14 Years**

[21] Appl. No.: **29/111,675**

[22] Filed: **Oct. 1, 1999**

[51] **LOC (7) Cl.** **08-08**

[52] **U.S. Cl.** **D8/382; D23/262**

[58] **Field of Search** D8/382; 403/169-170, 403/173-174, 205, 312, 177-178, 300, 305-306; D23/262; 285/165-166

[56] **References Cited**

U.S. PATENT DOCUMENTS

- D. 291,482 8/1987 Vassallo et al. D23/252
- D. 392,372 3/1998 Saito et al. D23/254

- 3,476,413 11/1969 Coberly et al. 403/900
- 4,756,639 7/1988 Hoshino 403/297
- 4,906,122 3/1990 Barrett et al. 403/305
- 5,375,939 12/1994 Zwart 403/300

Primary Examiner—Holly Baynham
Attorney, Agent, or Firm—Knobbe, Martens, Olson & Bear, LLP

[57] **CLAIM**

The ornamental design for a flexible joint, as shown and described.

DESCRIPTION

FIG. 1 is a front view of a flexible joint.
FIG. 2 is a rear view of the flexible joint.
FIG. 3 is a top plan view of the flexible joint.
FIG. 4 is a bottom plan view of the flexible joint.
FIG. 5 is a left side view of the flexible joint.
FIG. 6 is a right side view of the flexible joint; and,
FIG. 7 is a reduced scale perspective view of the flexible joint.

1 Claim, 3 Drawing Sheets

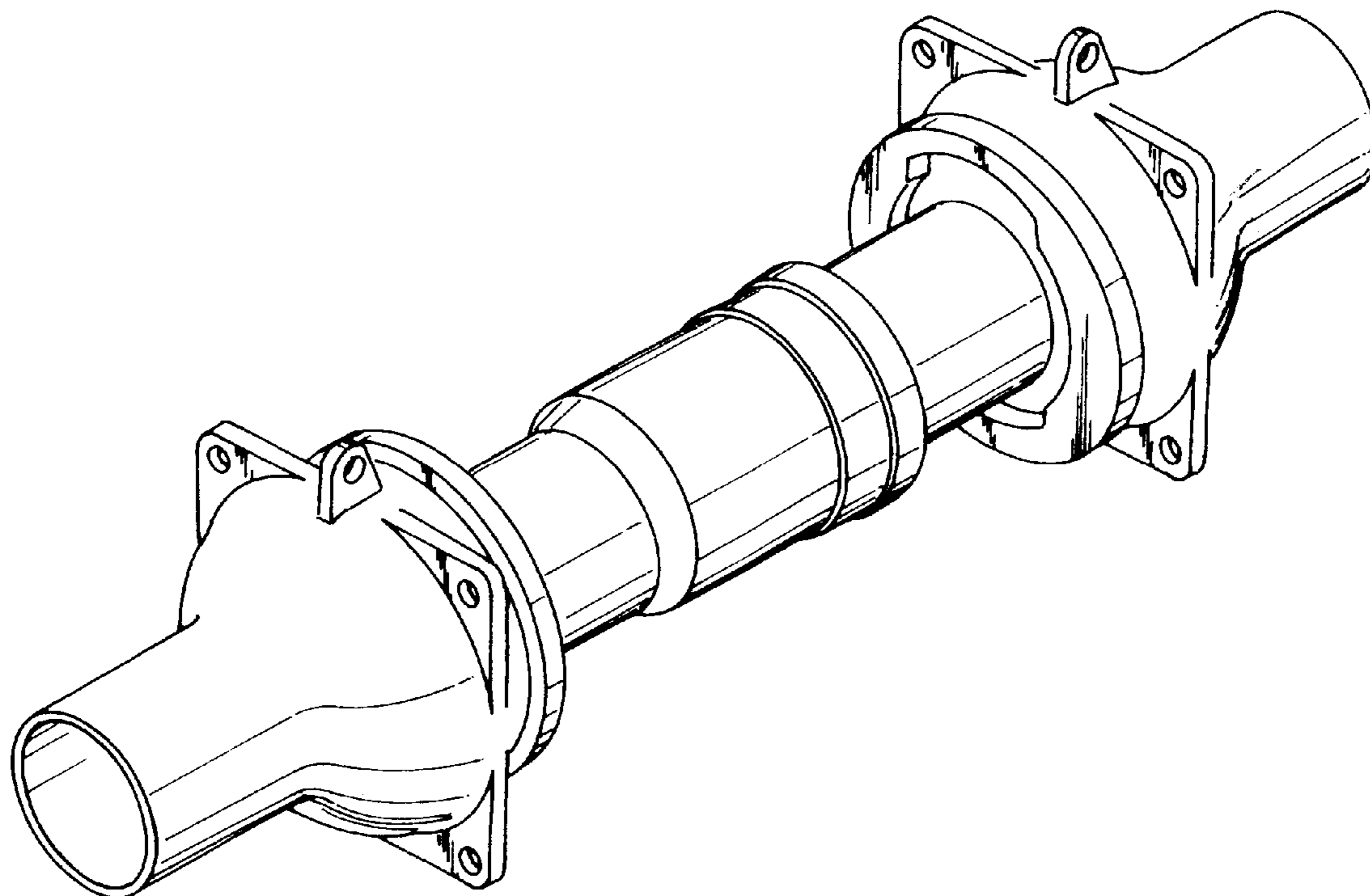


FIG.1

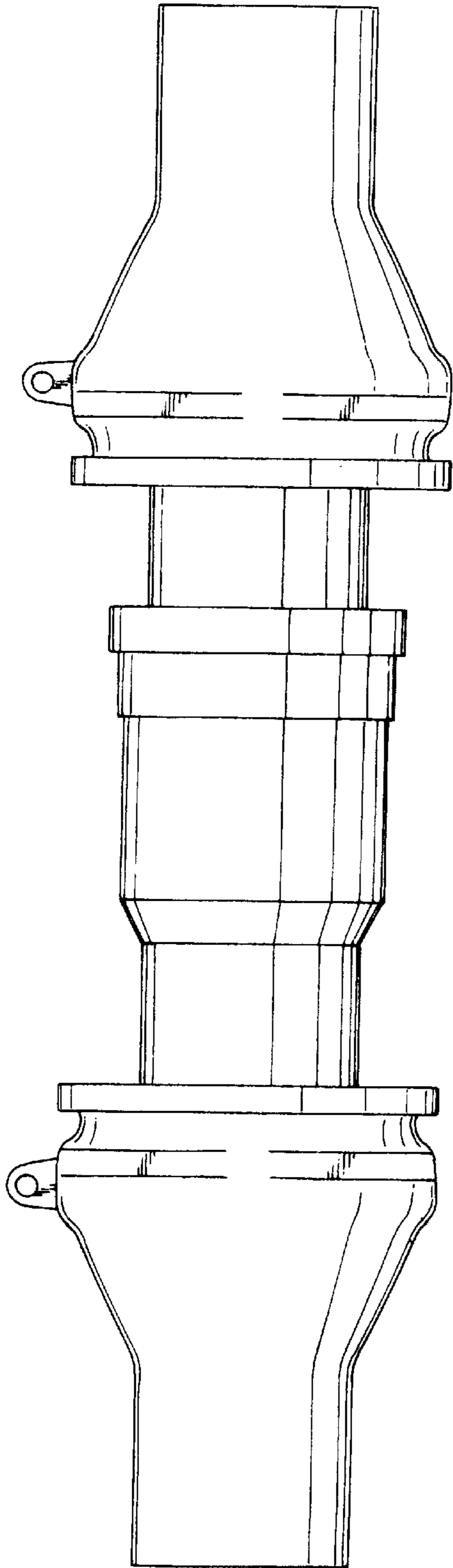


FIG.2

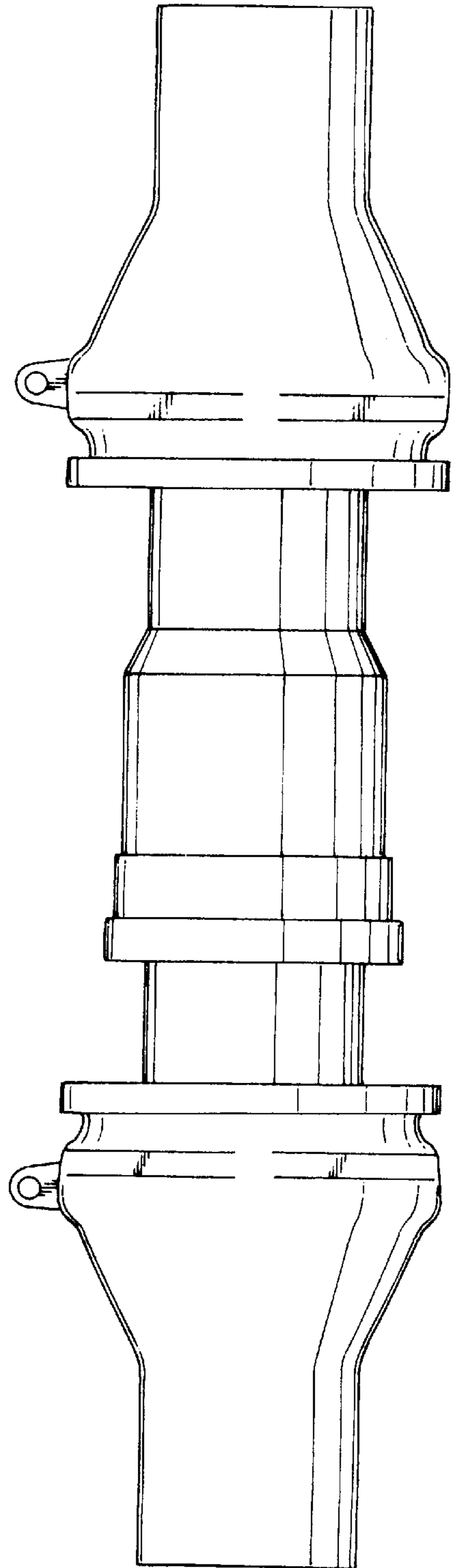


FIG.3

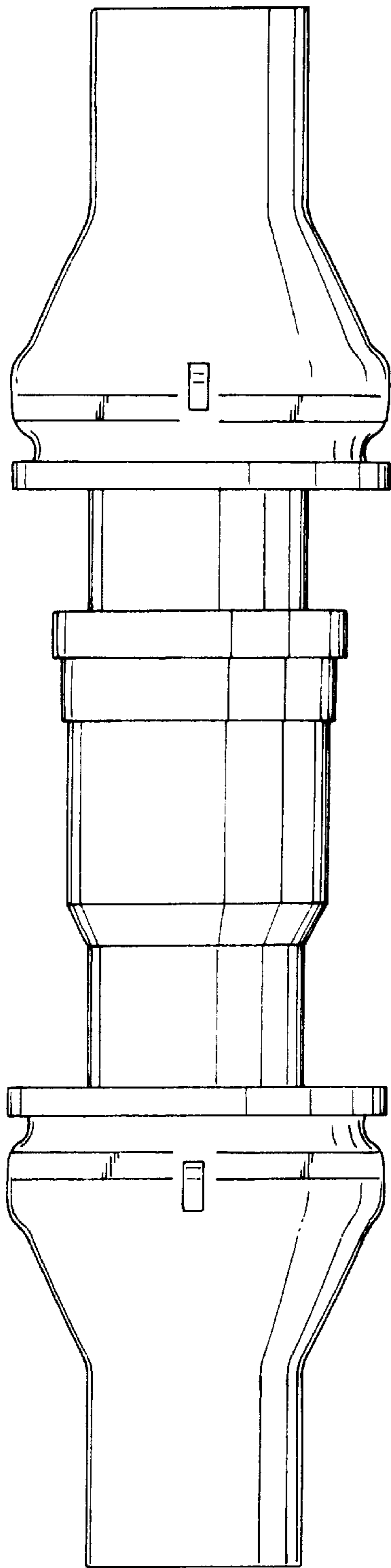


FIG.4

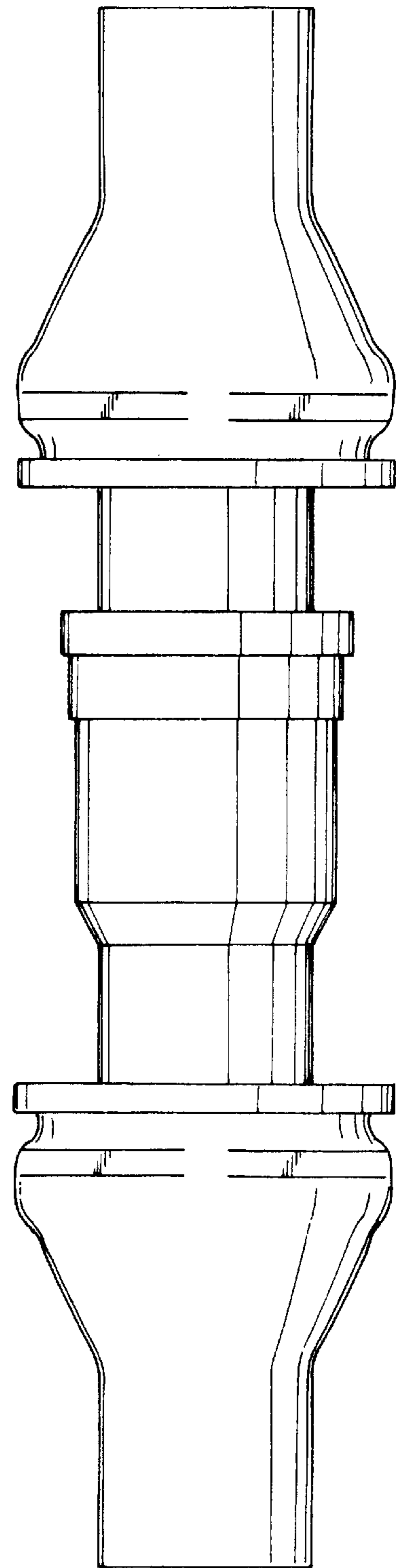


FIG.5

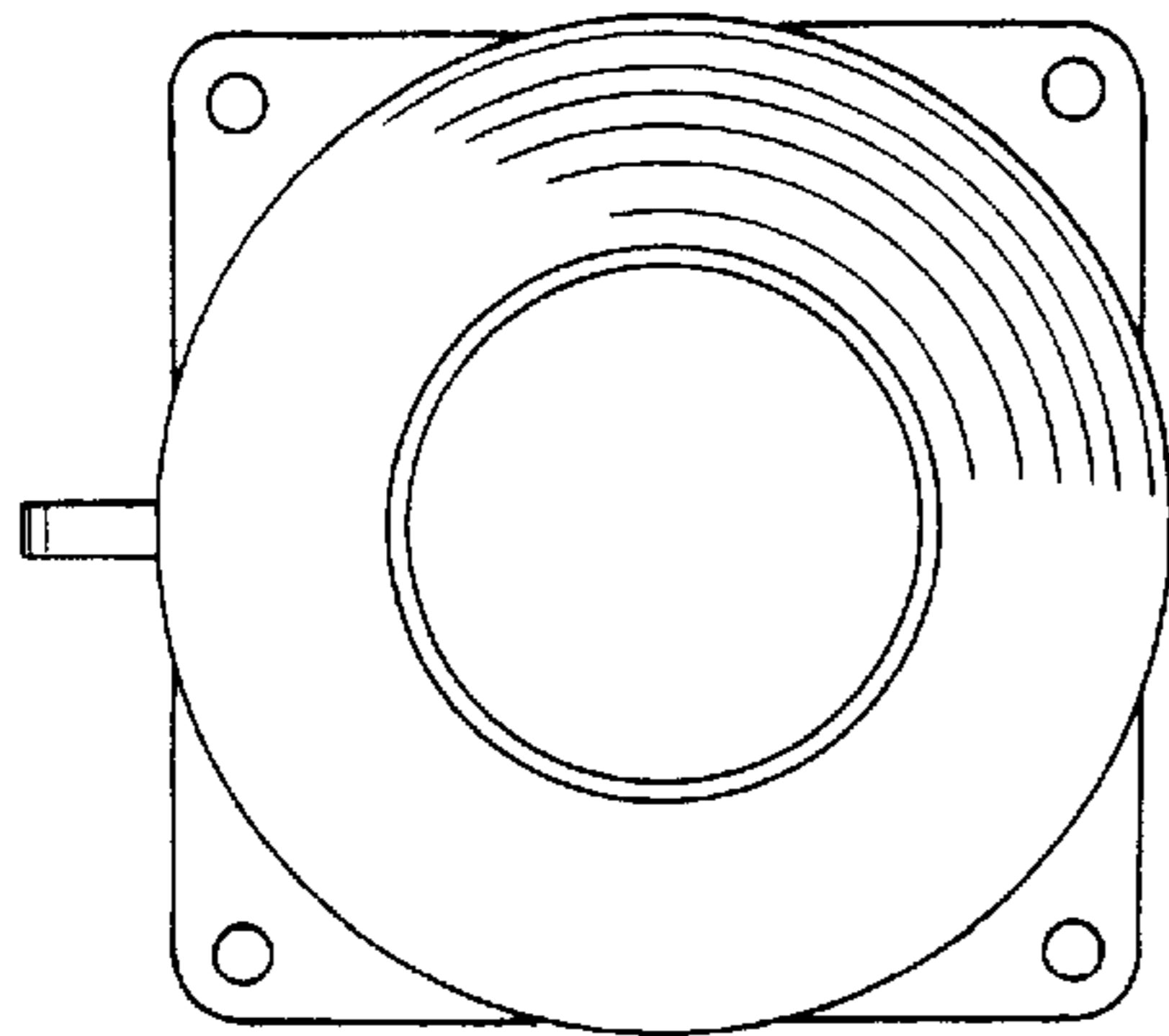


FIG.6

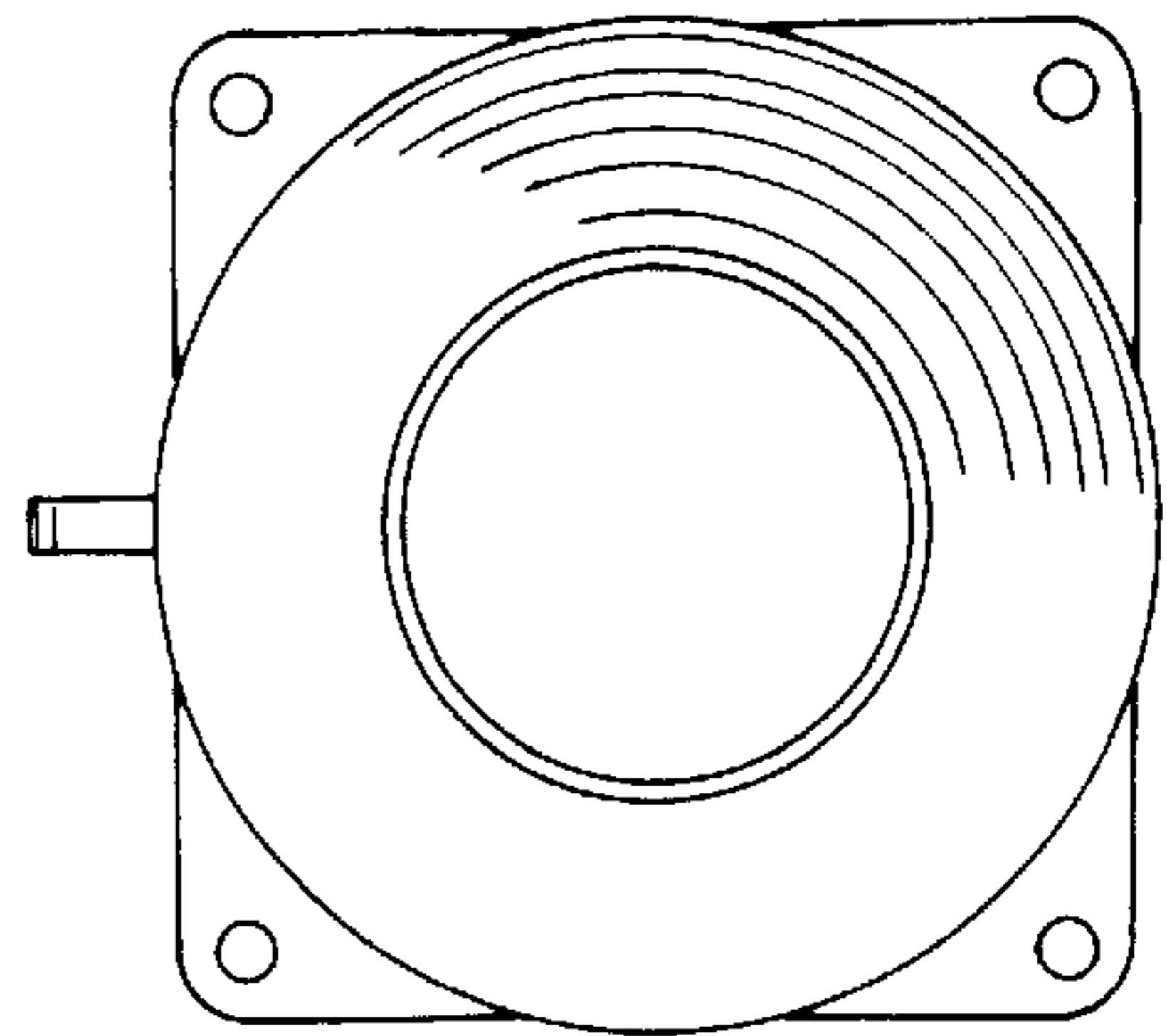


FIG.7

