



US00D426454S

United States Patent [19] Kampf

[11] **Patent Number: Des. 426,454**

[45] **Date of Patent: ** Jun. 13, 2000**

[54] **PIPE ANCHOR BASE**

[75] Inventor: **Mark Kampf**, Crystal Lake, Ill.

[73] Assignee: **Ireco, Inc.**, Chicago, Ill.

[**] Term: **14 Years**

[21] Appl. No.: **29/099,462**

[22] Filed: **Jan. 19, 1999**

[51] **LOC (7) Cl.** **08-05**

[52] **U.S. Cl.** **D8/380**

[58] **Field of Search** D23/266; D8/354,
D8/380; 248/56, 62

[56] **References Cited**

U.S. PATENT DOCUMENTS

D. 392,553	3/1998	Dill	D8/380
4,222,538	9/1980	Jensen et al.	248/56
5,370,344	12/1994	Nadherny .		
5,395,079	3/1995	Jensen et al. .		
5,605,309	2/1997	Nadherny .		

Primary Examiner—Alan P. Douglas
Assistant Examiner—Reid Hecker

Attorney, Agent, or Firm—Cook, Alex, McFarron, Manzo, Cummings & Mehler, Ltd.

[57] **CLAIM**

The ornamental design for a pipe anchor base, as shown and described.

DESCRIPTION

FIG. 1 is a perspective view of a pipe anchor base embodying the present invention;
FIG. 2 is a front elevational view thereof;
FIG. 3 is a side elevational view thereof, the undisclosed opposite side being the same view;
FIG. 4 is a rear elevational view thereof;
FIG. 5 is a top plan view thereof;
FIG. 6 is a bottom plan view thereof;
FIG. 7 is a perspective view of a pipe anchor base forming a second embodiment of the present invention;
FIG. 8 is a front elevational view thereof;
FIG. 9 is a side elevational view thereof, the undisclosed opposite side being the same view;
FIG. 10 is a rear elevational view;
FIG. 11 is a top plan view thereof; and,
FIG. 12 is a bottom plan view thereof.

1 Claim, 2 Drawing Sheets

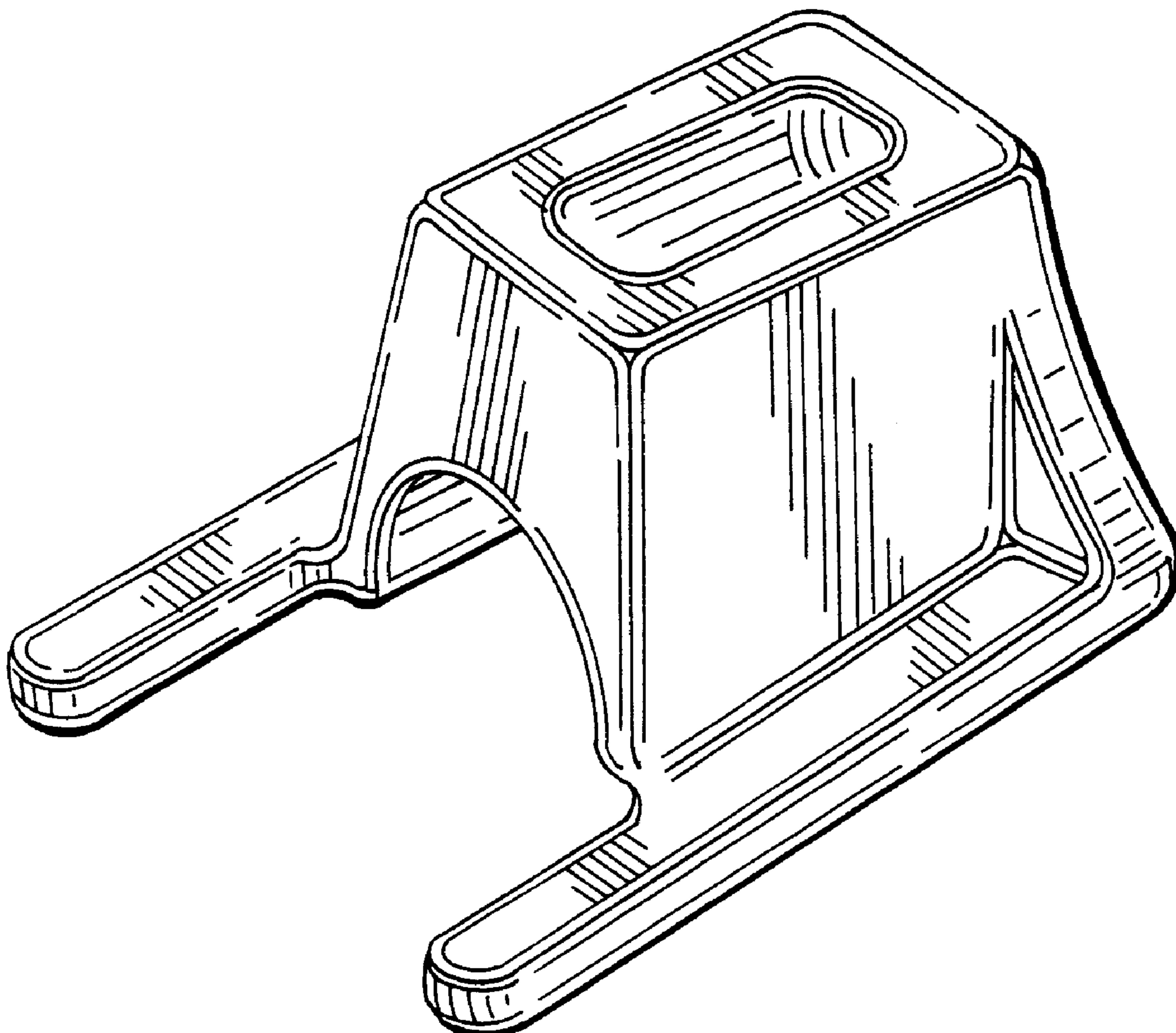


FIG. 1

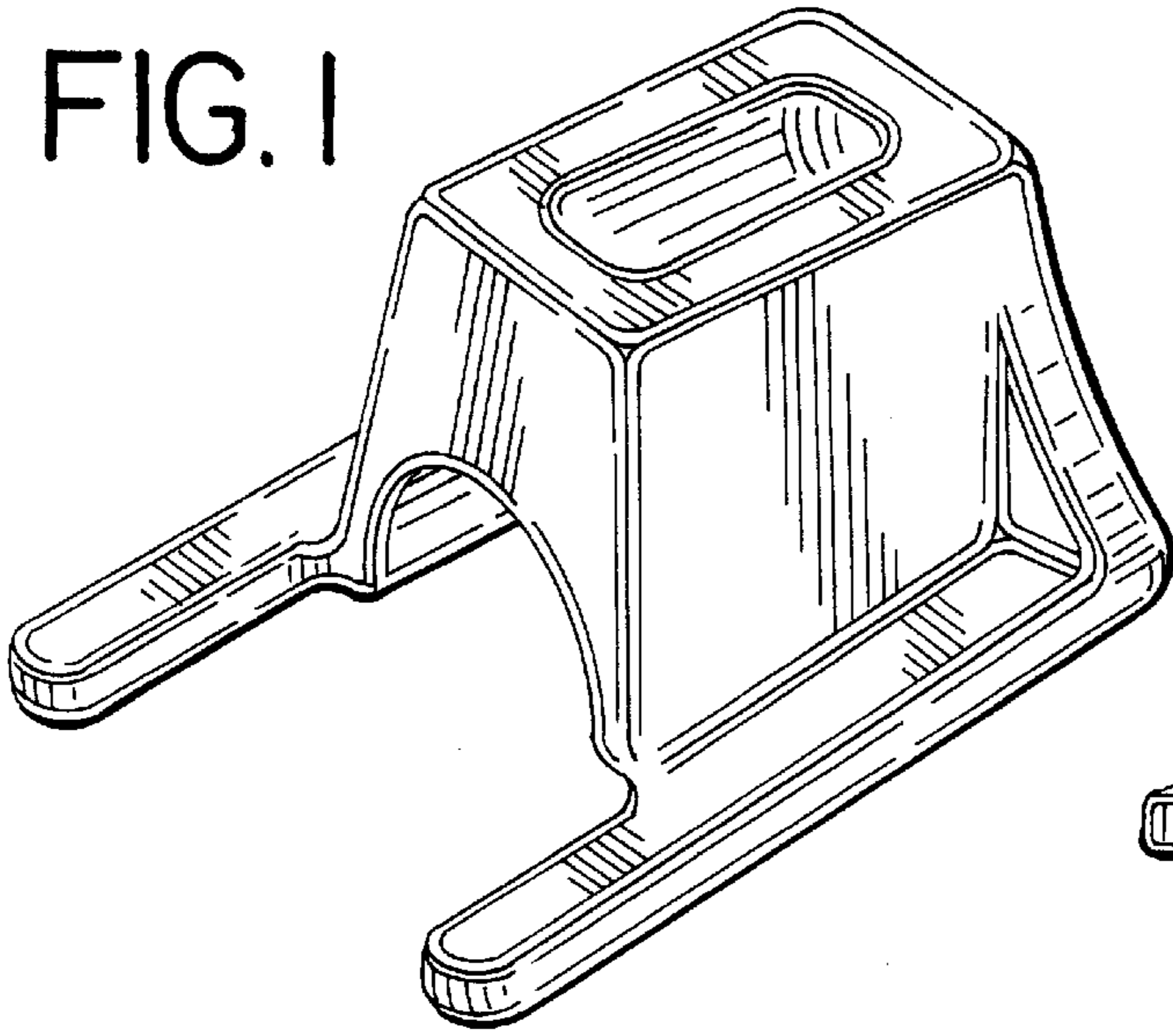


FIG. 2

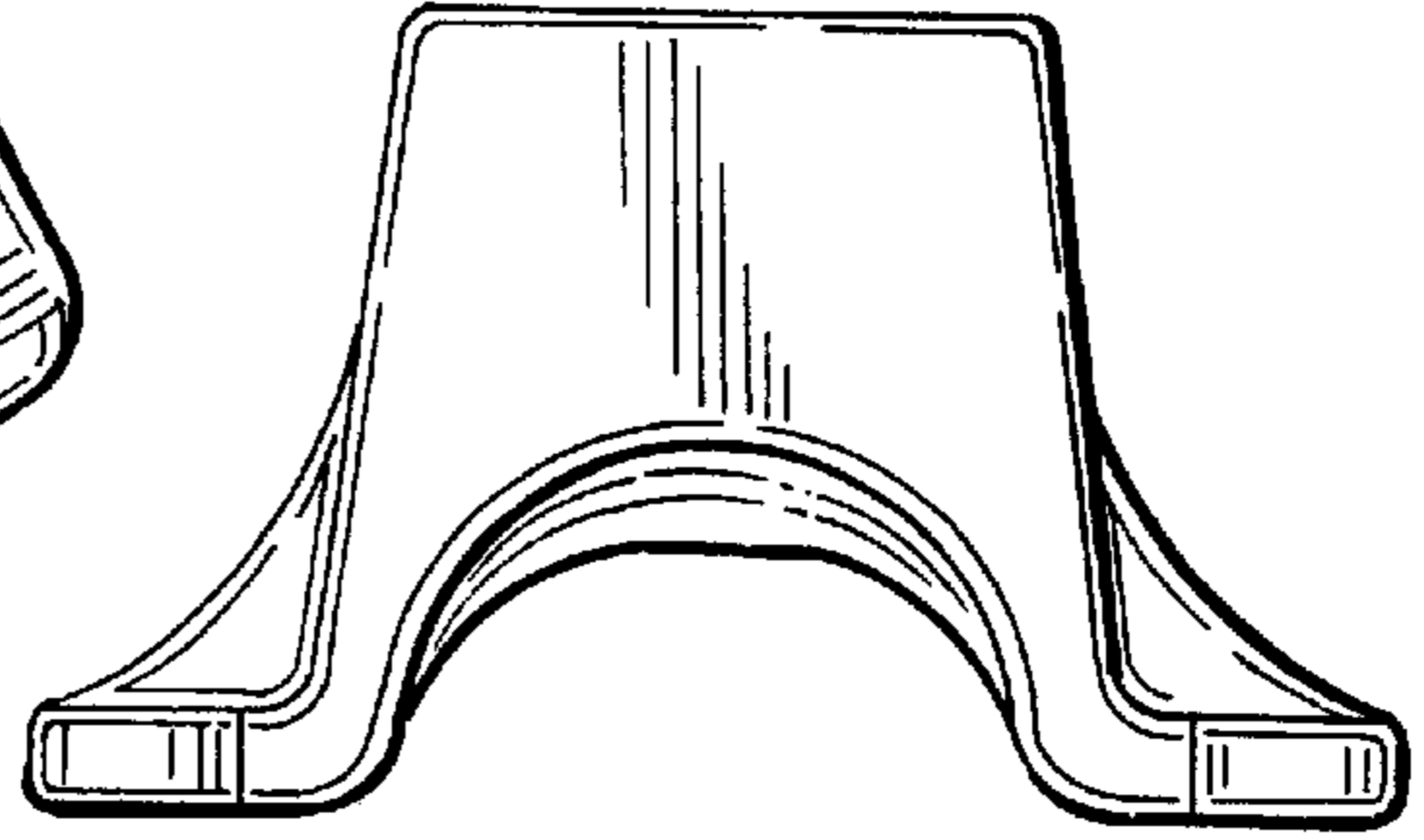


FIG. 3

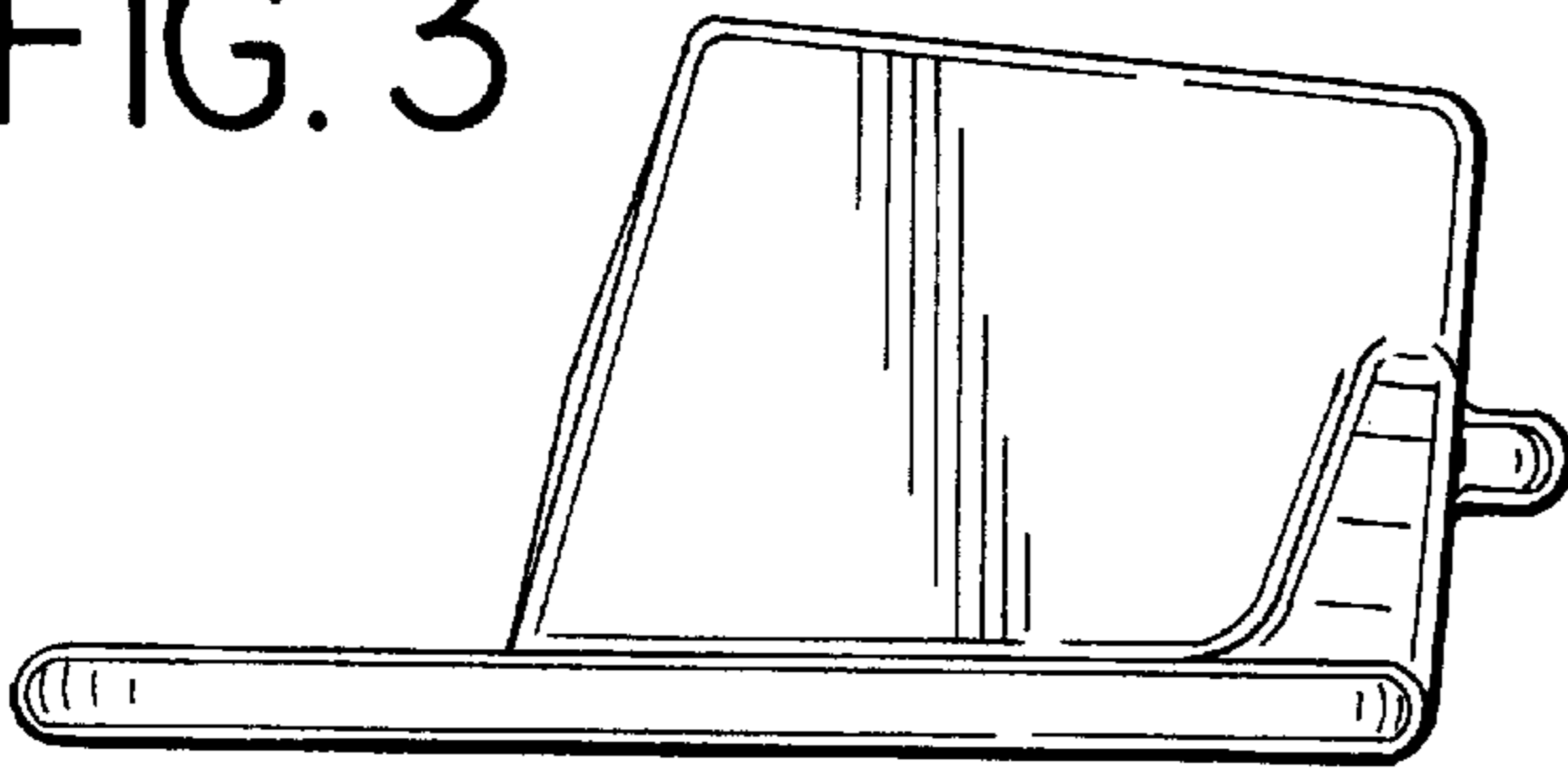


FIG. 4

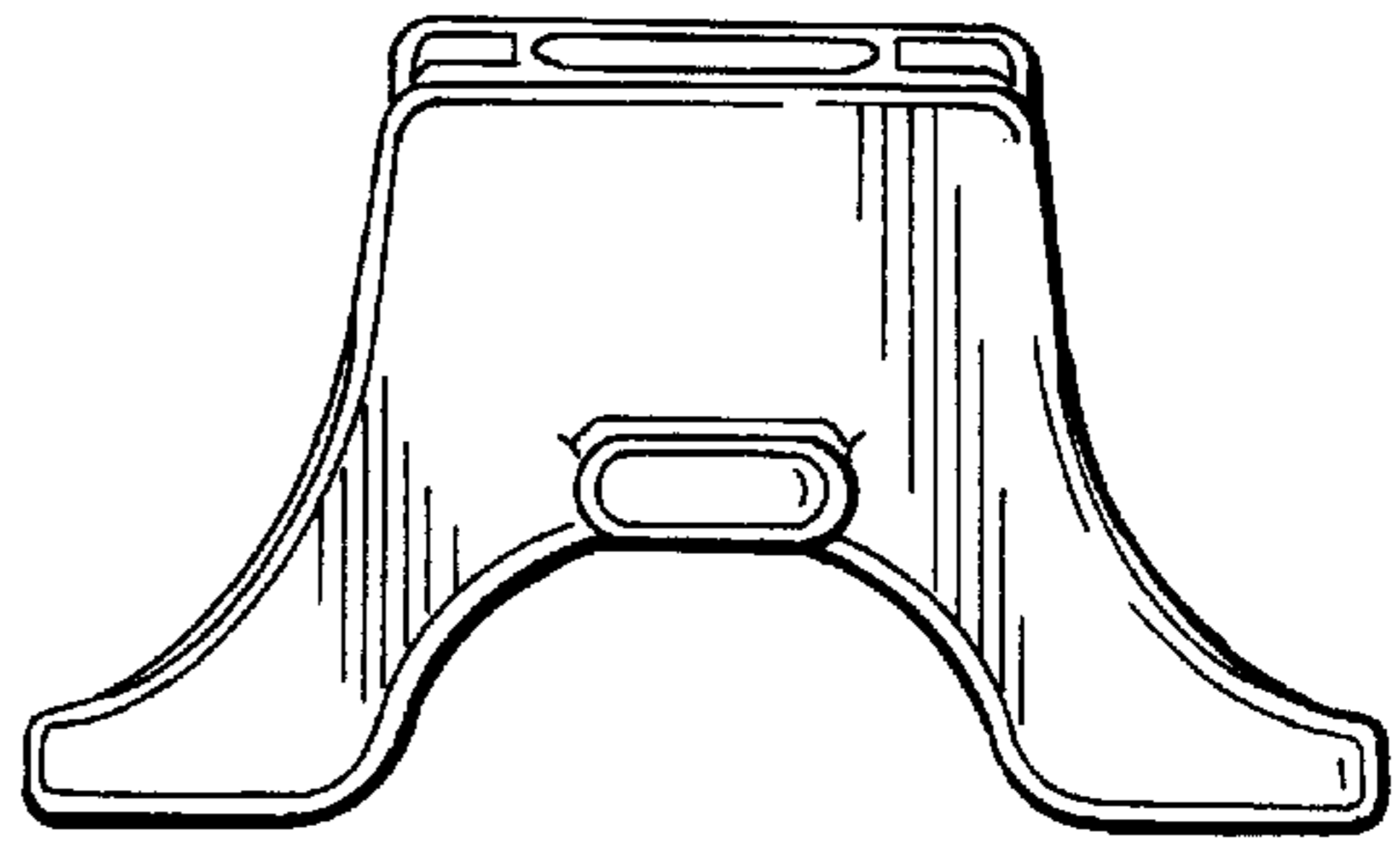


FIG. 5

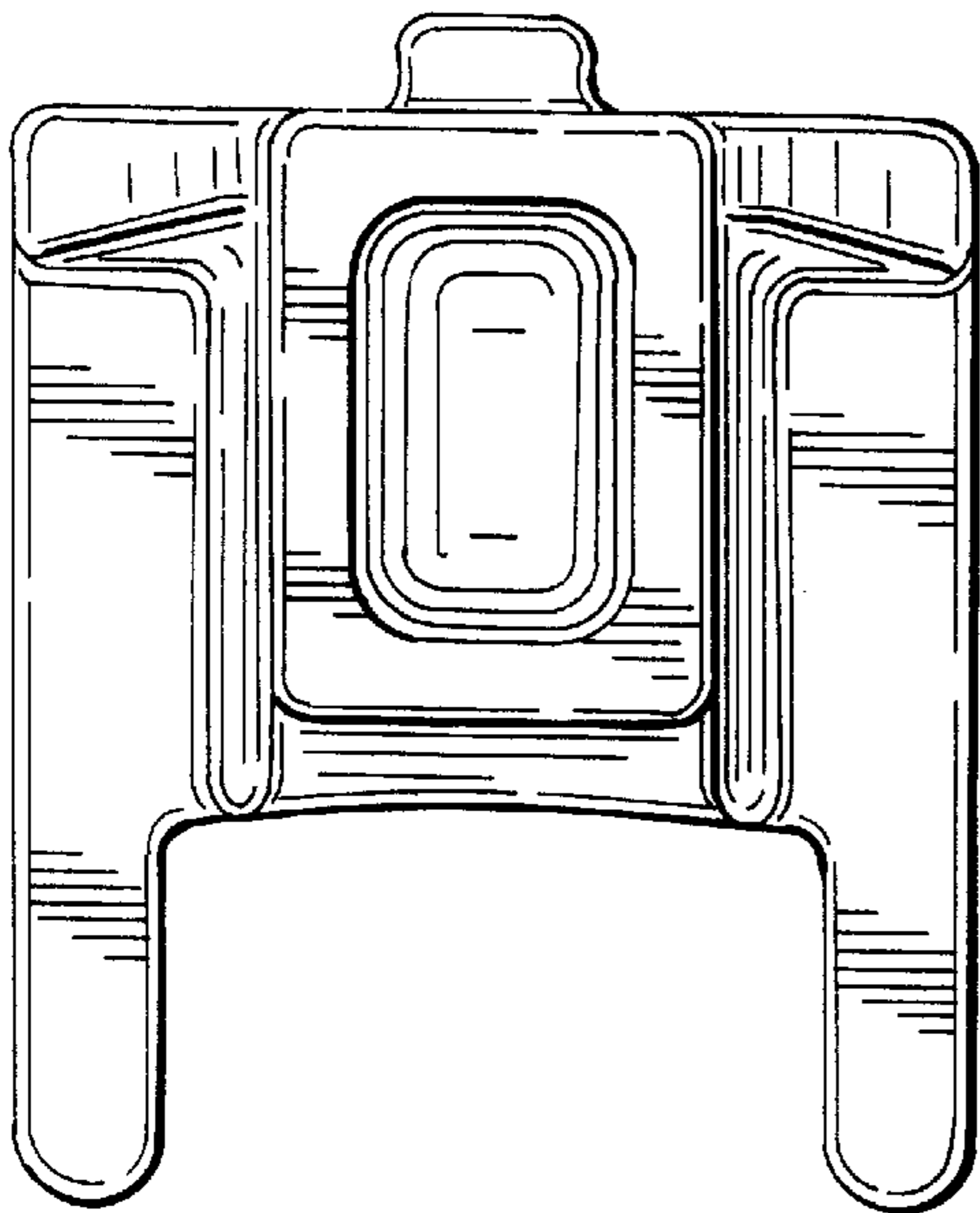


FIG. 6

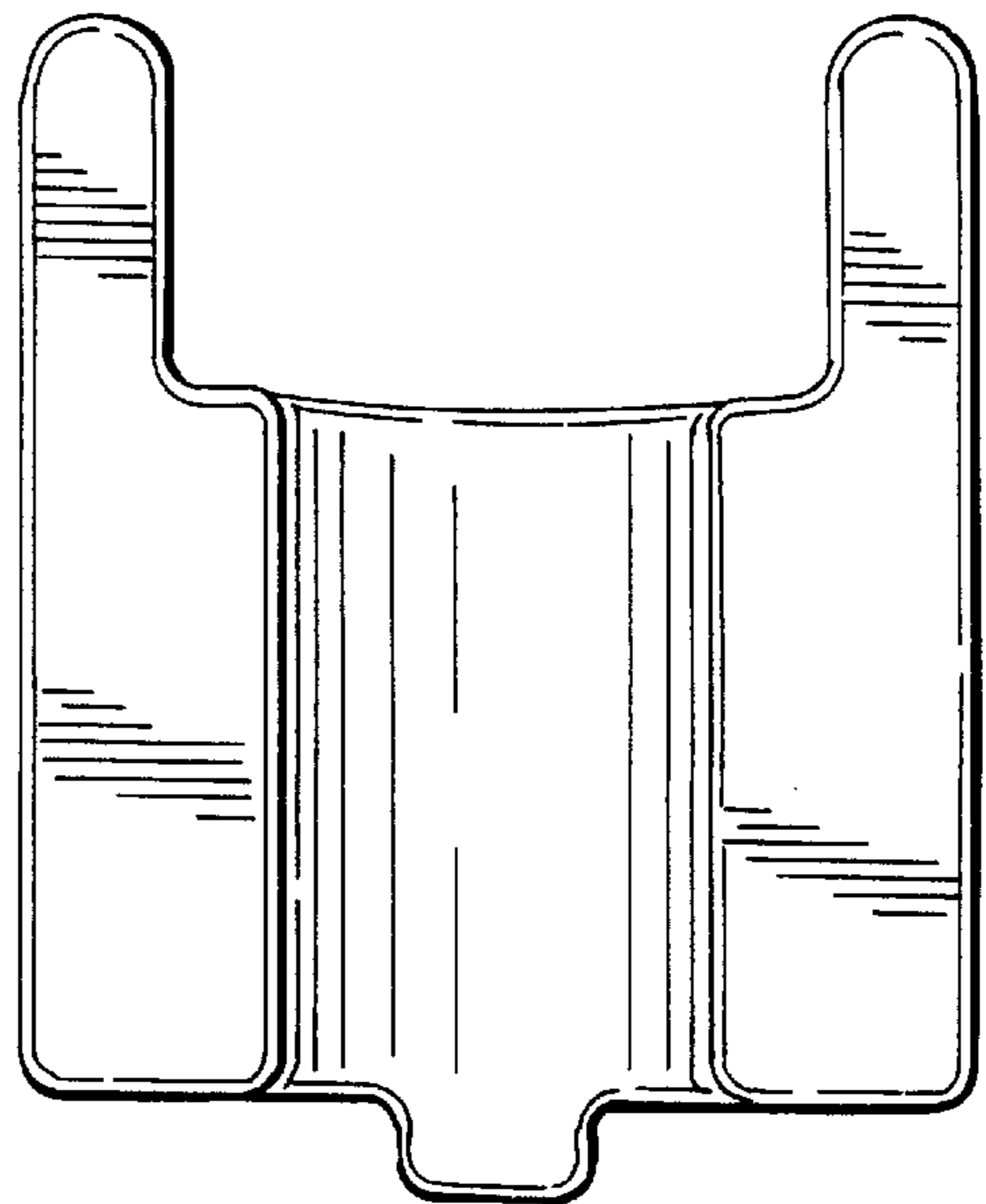


FIG.7

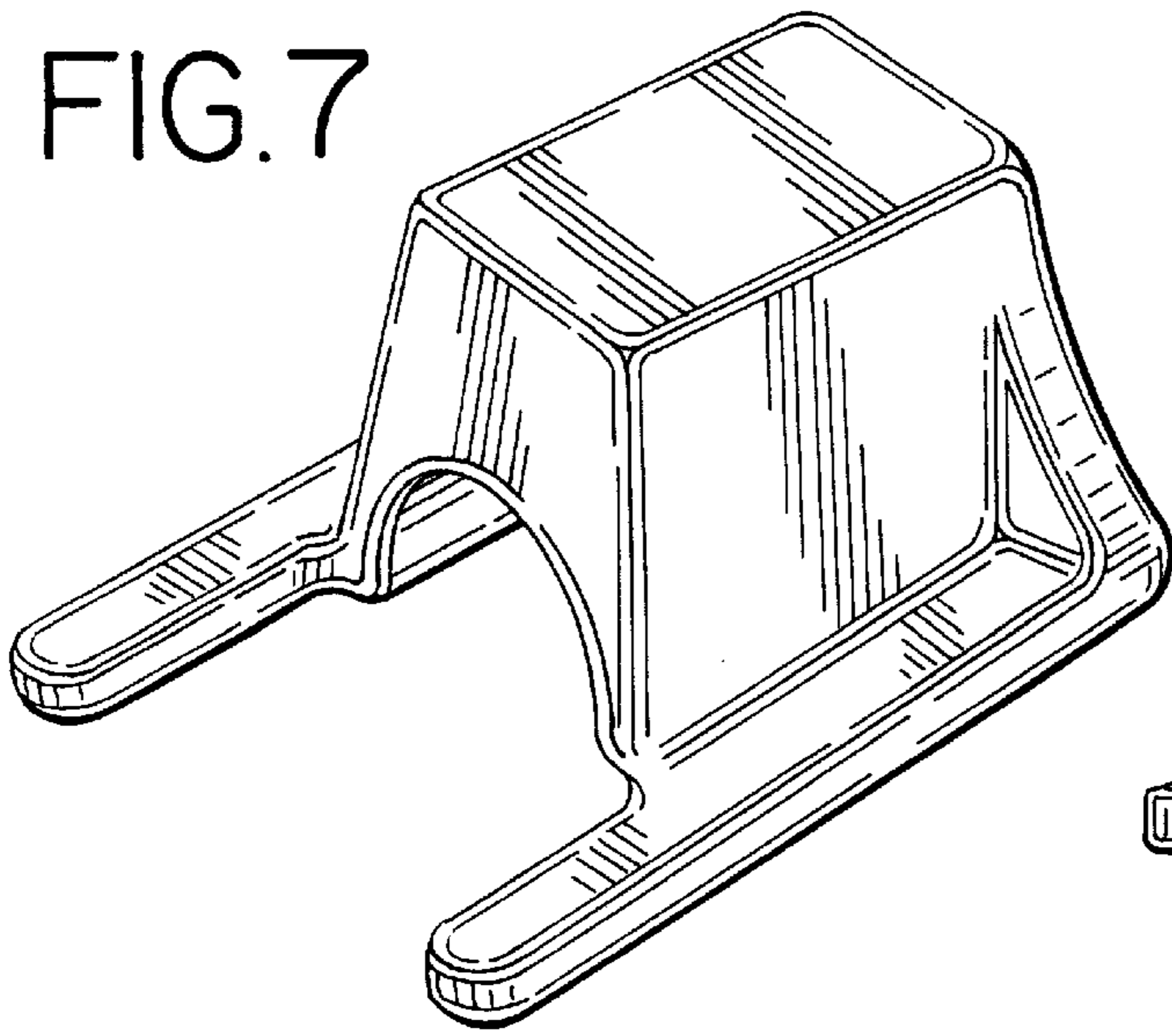


FIG.8

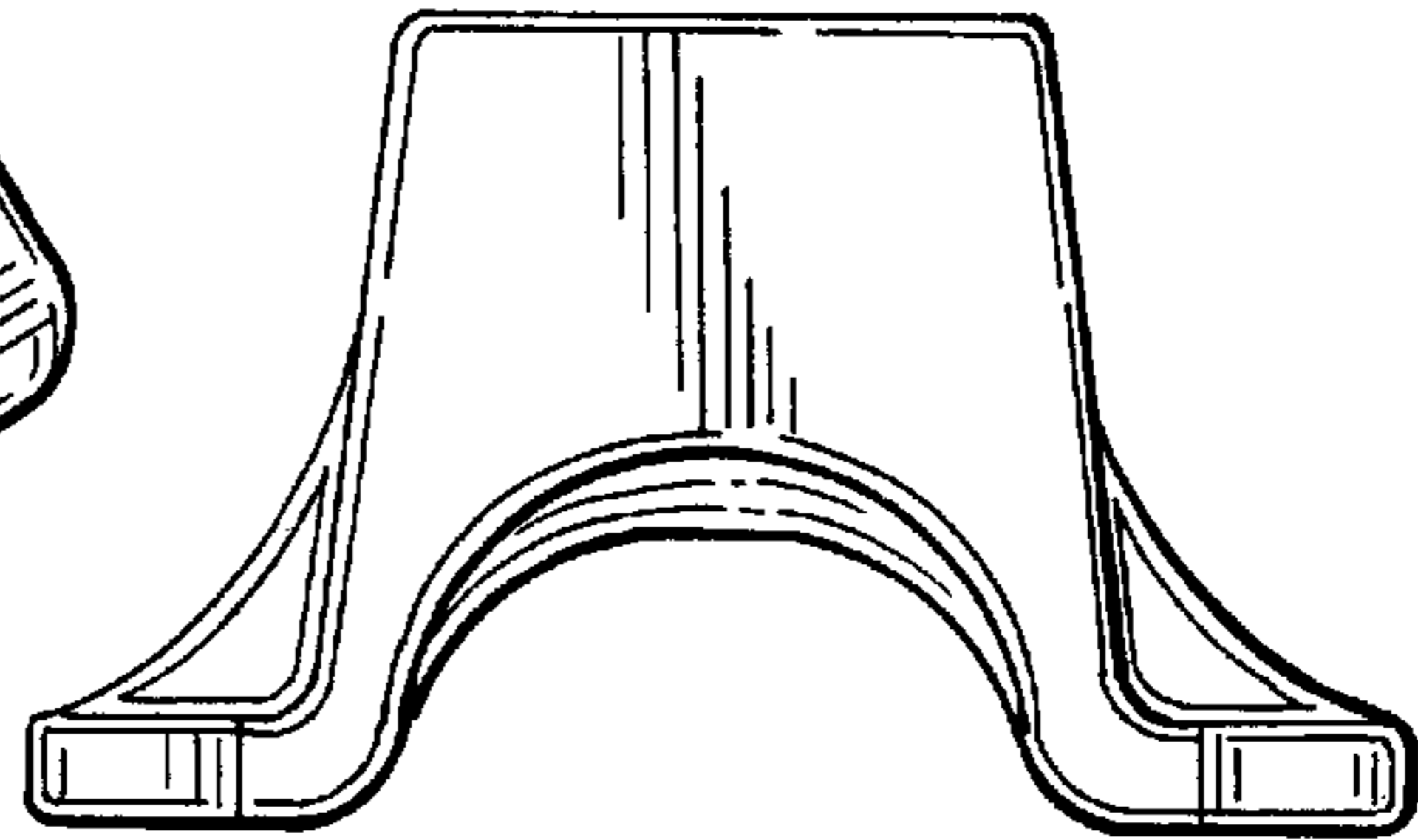


FIG.9

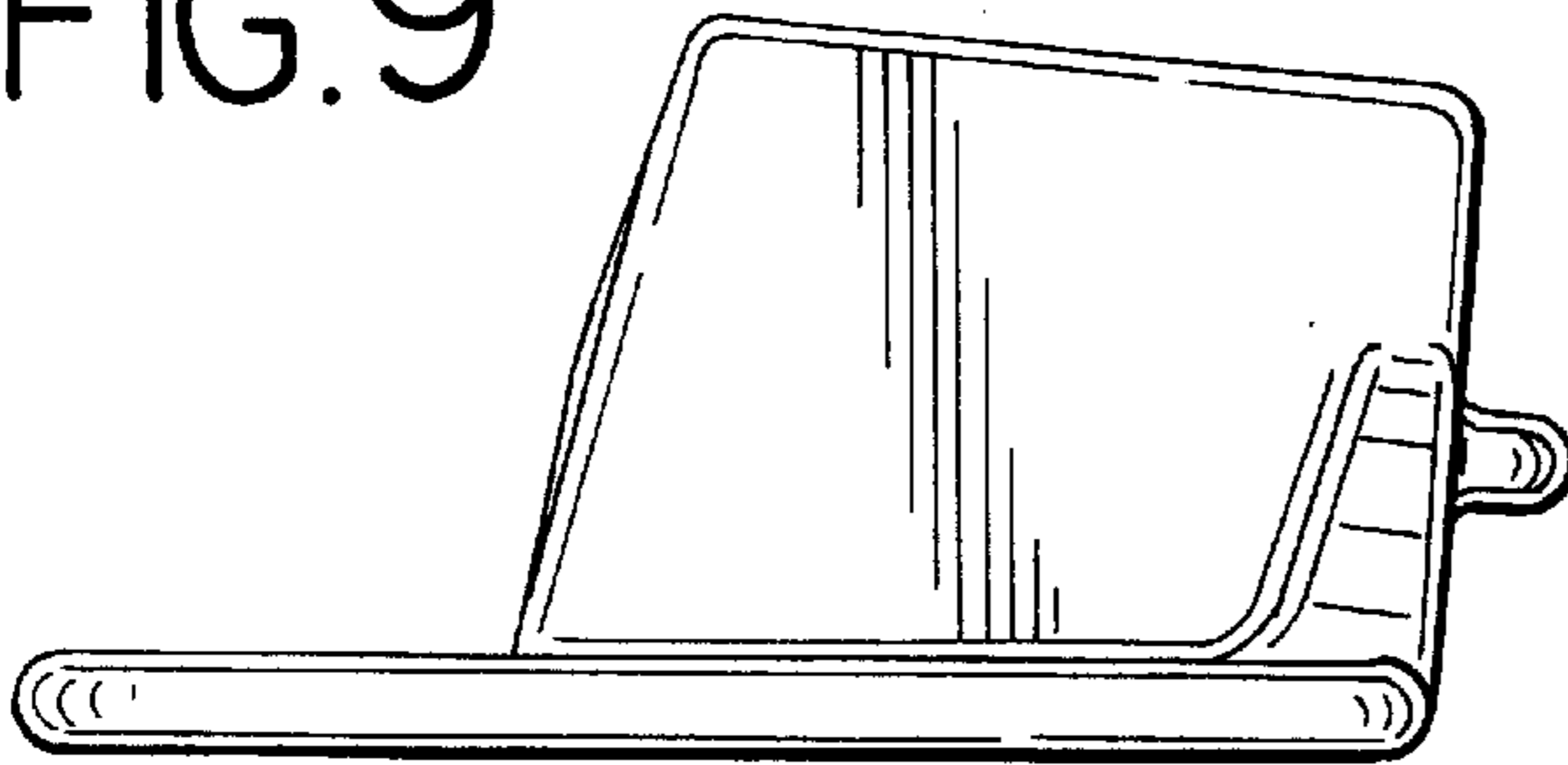


FIG.10

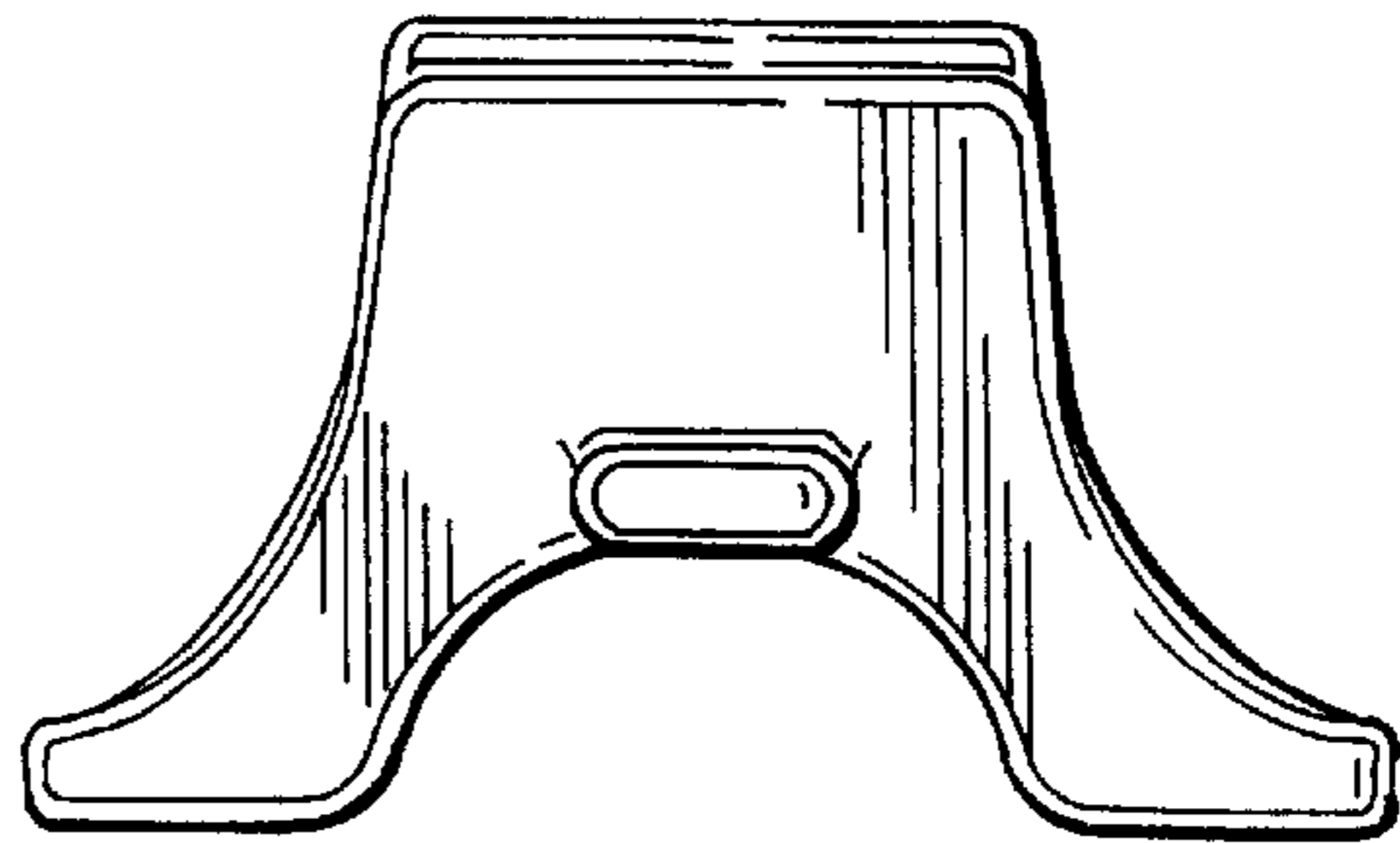


FIG.11

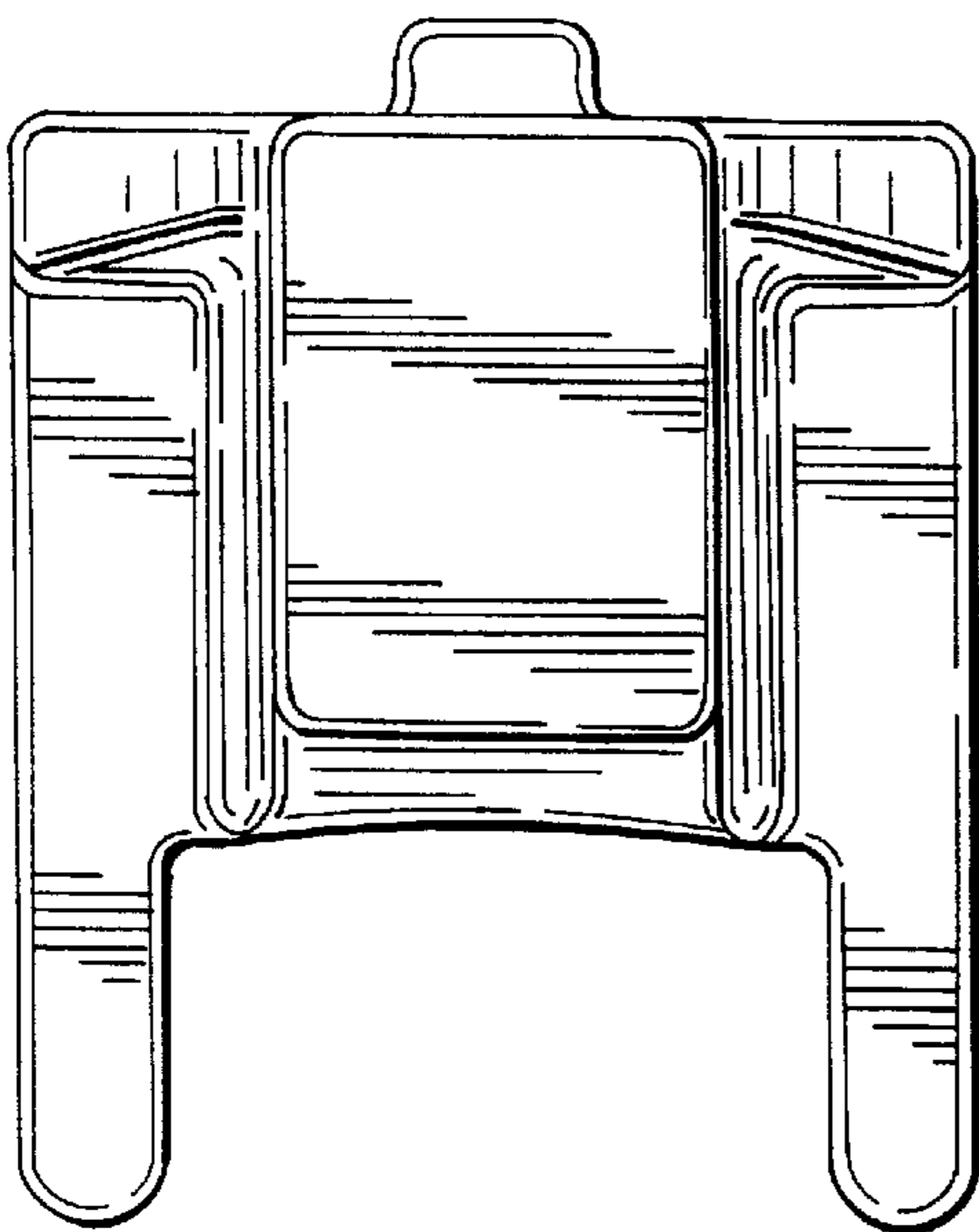


FIG.12

