



US00D426452S

# United States Patent [19]

McElroy et al.

[11] **Patent Number: Des. 426,452**

[45] **Date of Patent: \*\* Jun. 13, 2000**

[54] **KEY BOW**

[75] Inventors: **James McElroy**, Colorado Springs, Colo.; **Kevin Rosenbaum**, Rocky River, Ohio; **Melinda T. Neligon**, Colorado Springs, Colo.

[73] Assignee: **Schlage Lock Company**, San Francisco, Calif.

[\*\*] Term: **14 Years**

[21] Appl. No.: **29/116,935**

[22] Filed: **Jan. 13, 2000**

### Related U.S. Application Data

[62] Division of application No. 29/101,290, Feb. 26, 1999.

[51] **LOC (7) Cl.** ..... **08-07**

[52] **U.S. Cl.** ..... **D8/347**

[58] **Field of Search** ..... D8/347; 70/393, 70/402, 405, 406, 407, 408

### References Cited

#### U.S. PATENT DOCUMENTS

D. 344,011	2/1994	Carsello	.....	D8/347
D. 352,888	11/1994	Carsello	.....	D8/347
D. 357,622	4/1995	Boutin	.....	D8/347
D. 357,852	5/1995	Shen	.....	D8/347

#### OTHER PUBLICATIONS

ILCO Unican Catalog, Item 101-F and 180A, p. 115, Dec. 1984.

ILCO Unican Catalog, Item SC1-PC, p. 18, Aug. 1995.

How to Key Pin Tumbler Locks, 1981 Schlage Service Manual p. 176.

Schlage Lock Company, Drawing No. 35-158, Dated Sep. 24, 1997, Key, Sidebit Primus Control STD Bow Embossed.

*Primary Examiner*—Susan J. Lucas

*Assistant Examiner*—Jennifer Rivard

*Attorney, Agent, or Firm*—Michael H. Minns

[57] **CLAIM**

The ornamental design for key bow, as shown and described.

### DESCRIPTION

FIG. 1 is a front elevational view of a first embodiment of a key bow showing our new design, the rear being a mirror image of that shown;

FIG. 2 is a bottom plan view of the embodiment shown in FIG. 1, the top being a mirror image of that shown;

FIG. 3 is a left side elevational view of the embodiment shown in FIG. 1;

FIG. 4 is a right side elevational of the embodiment shown in FIG. 1;

FIG. 5 is a front elevational view of a second embodiment of a key bow showing our new design;

FIG. 6 is a rear elevation view of the embodiment shown in FIG. 5;

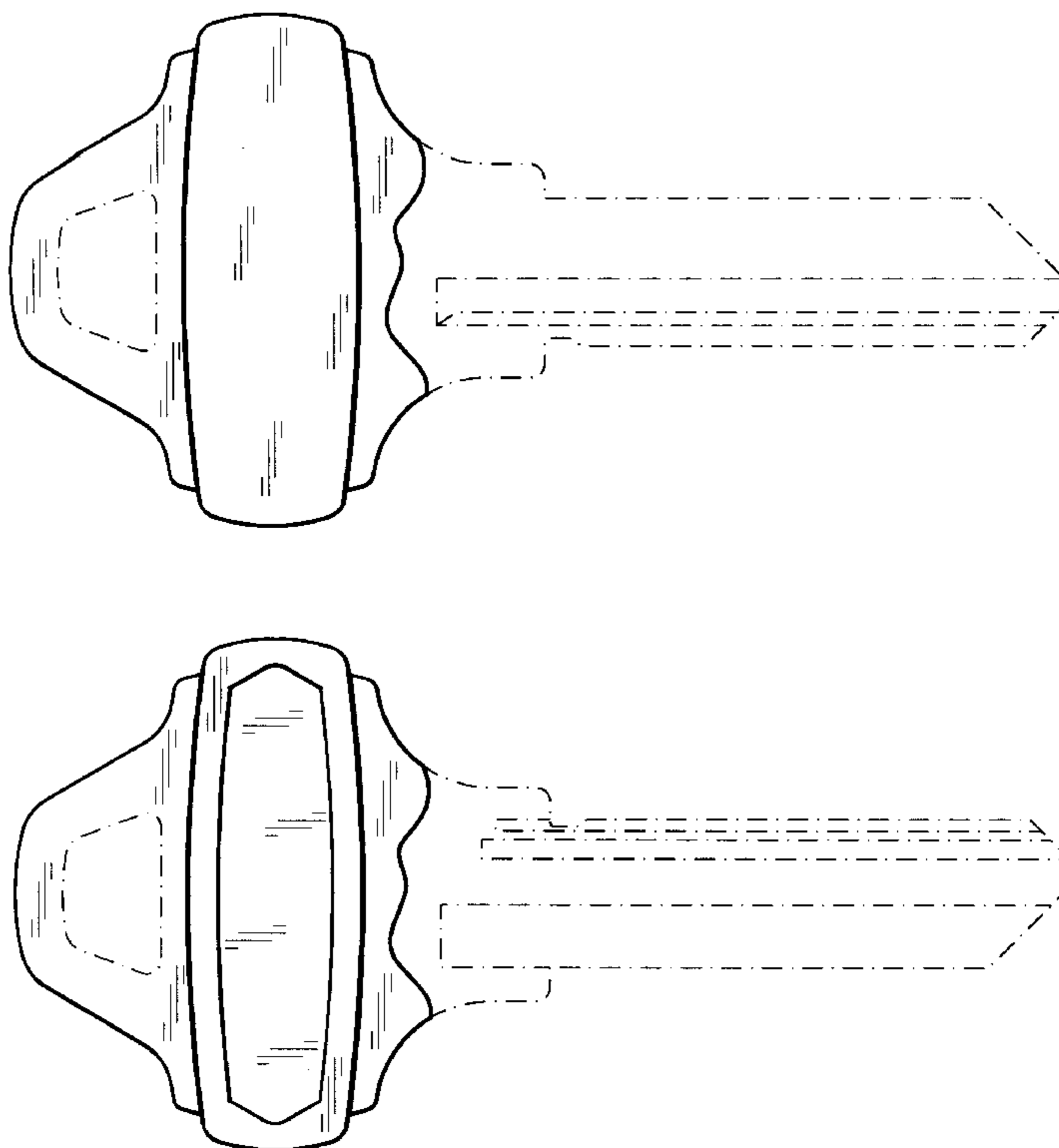
FIG. 7 is a bottom plan view of the embodiment shown in FIG. 5 the top being a mirror image of that shown;

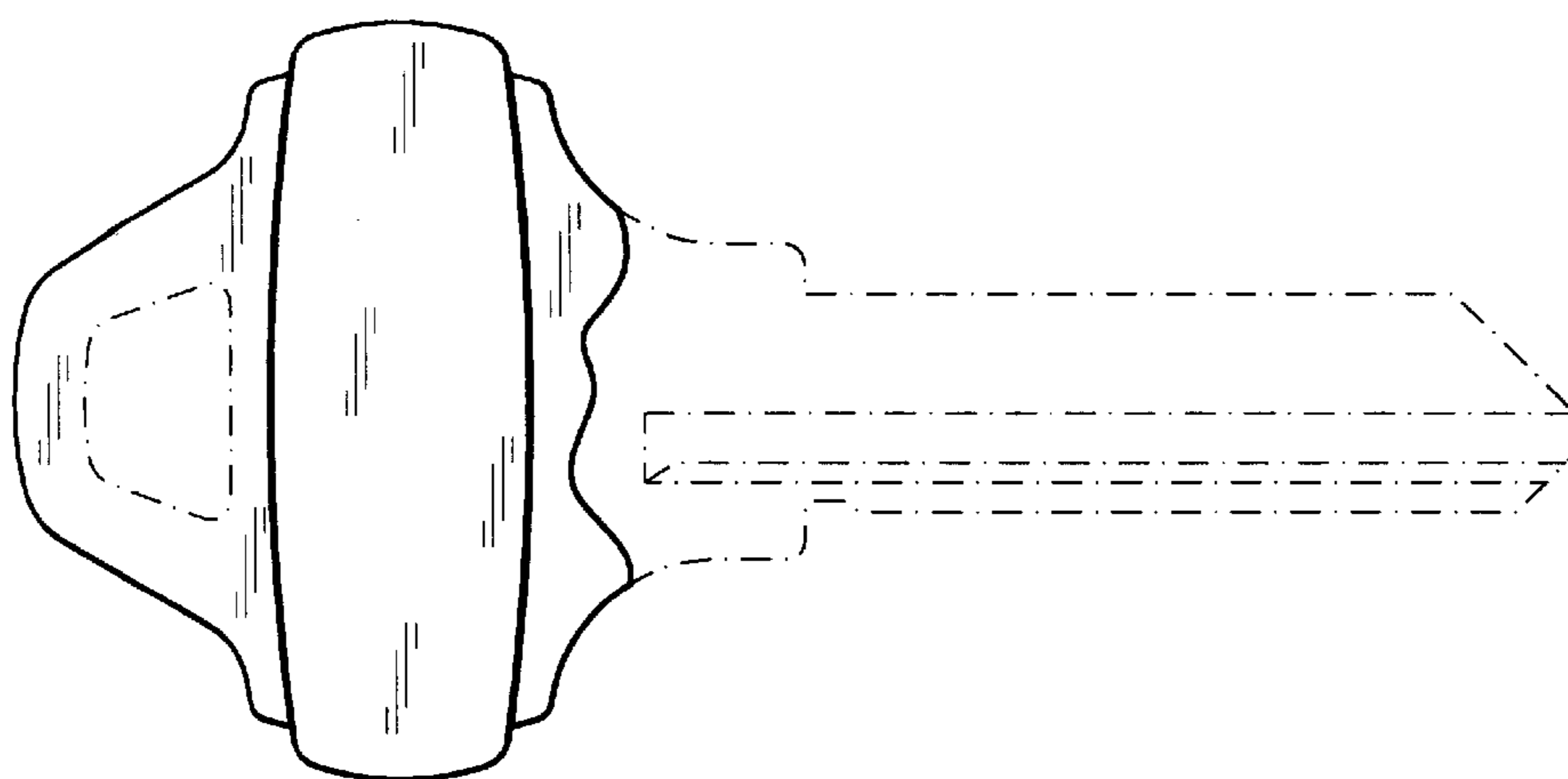
FIG. 8 is a left side elevational view of the embodiment shown in FIG. 5; and,

FIG. 9 is a right side elevational of the embodiment shown in FIG. 5.

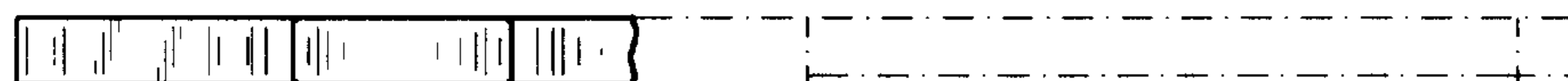
The broken line disclosure of the key shank is for illustrative purposes only and forms no part of the claimed design.

**1 Claim, 3 Drawing Sheets**

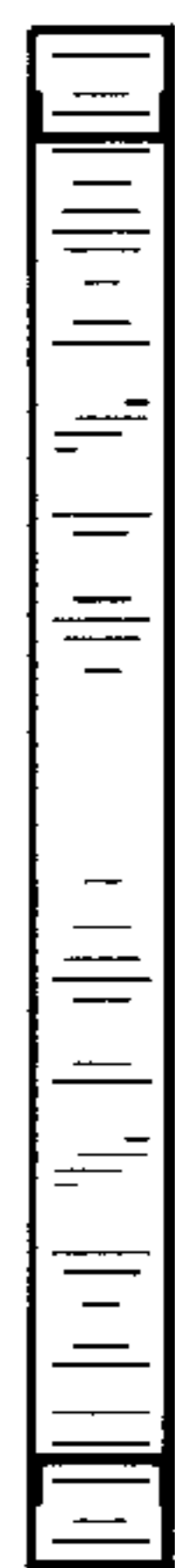




*Fig. 1*



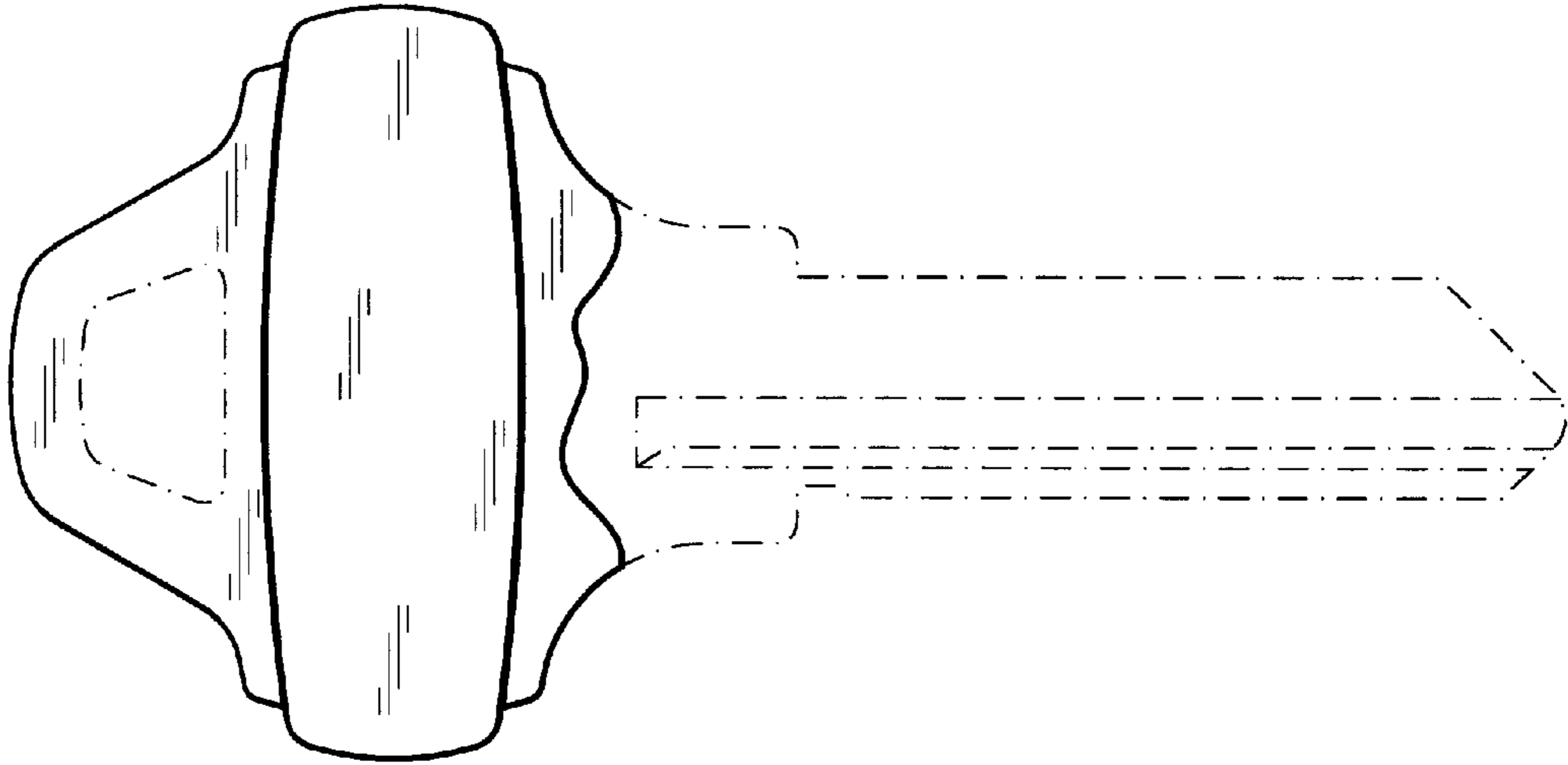
*Fig. 2*



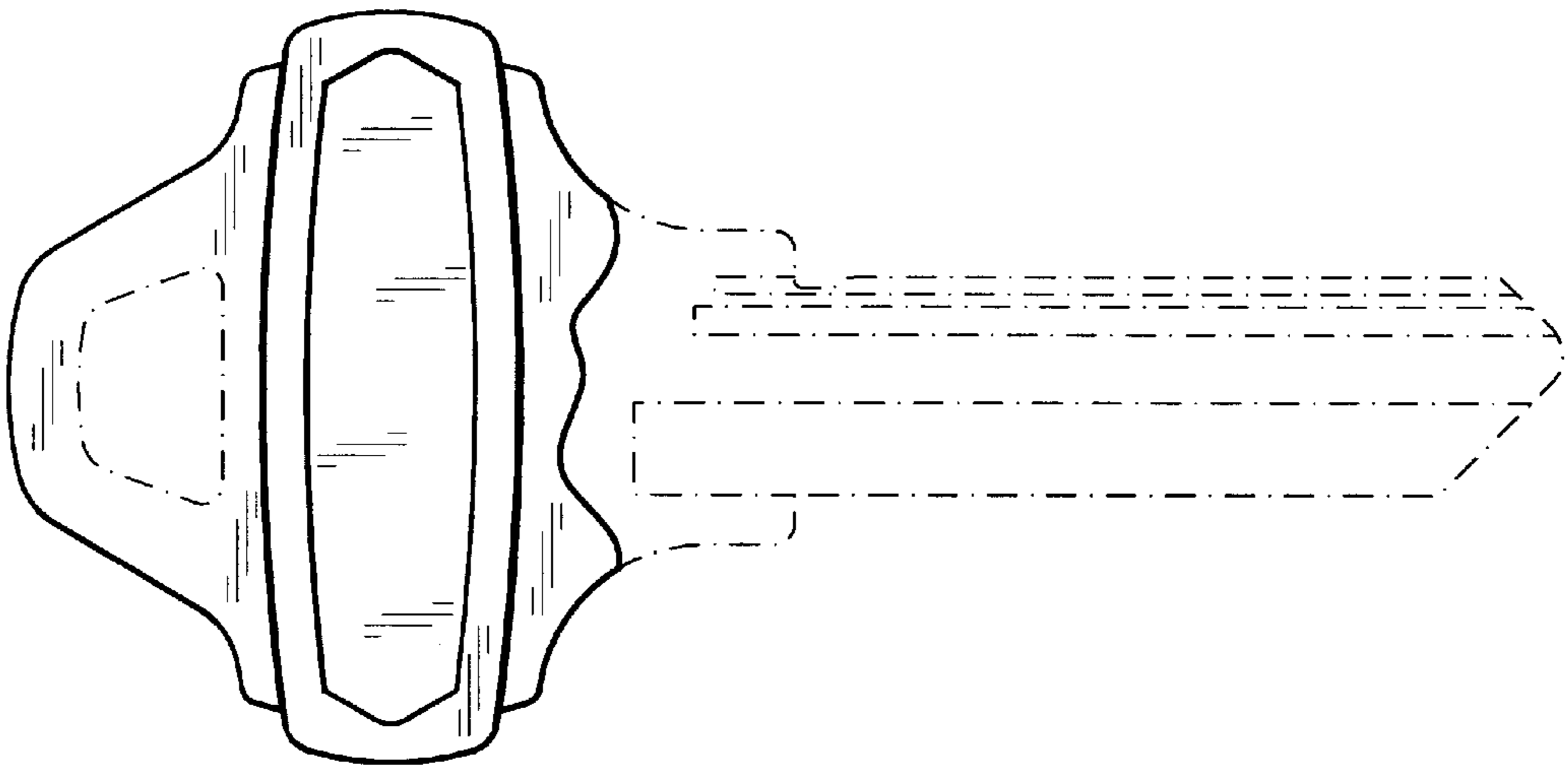
*Fig. 3*



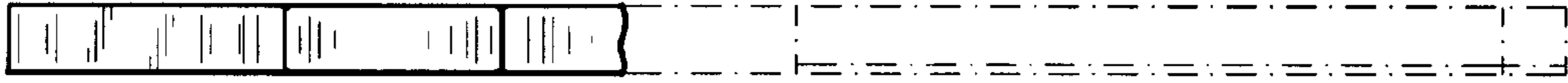
*Fig. 4*



*Fig. 5*



*Fig. 6*



*Fig. 7*



*Fig. 8*



*Fig. 9*