



US00D426451S

United States Patent [19]
Rosenbaum

[11] **Patent Number: Des. 426,451**

[45] **Date of Patent: ** Jun. 13, 2000**

[54] **HANDLE FOR A HAND TOOL**

[76] Inventor: **Kevin W. Rosenbaum**, 23 Oak Rd.,
Rocky River, Ohio 44116

[**] Term: **14 Years**

[21] Appl. No.: **29/109,967**

[22] Filed: **Aug. 26, 1999**

[51] **LOC (7) Cl.** **08-05**

[52] **U.S. Cl.** **D8/107**

[58] **Field of Search** D7/393, 395, 401.2,
D7/642, 664, 695; D8/45, 47, 300, 303,
107, DIG. 7, DIG. 8, 98; 16/110.1, 422,
430, 431; 81/177.2; D21/756

[56] **References Cited**

U.S. PATENT DOCUMENTS

D. 300,404 3/1989 Lauer D8/98
5,927,161 7/1999 Clifford et al. 81/177.2

OTHER PUBLICATIONS

MOEN® Single Handle Kitchen Faucet Publication, ©
1996.

MOEN® Two Handle Lavatory Faucet Publication, © 1995.

Primary Examiner—Alan P. Douglas

Assistant Examiner—Reid Hecker

Attorney, Agent, or Firm—Renner, Otto, Boisselle & Sklar,
LLP

[57] **CLAIM**

The ornamental design for a handle for a hand tool, as shown
and described.

DESCRIPTION

FIG. 1 is a perspective view of the handle showing my new
design;

FIG. 2 is a top plan view thereof, the bottom plan view being
a mirror image;

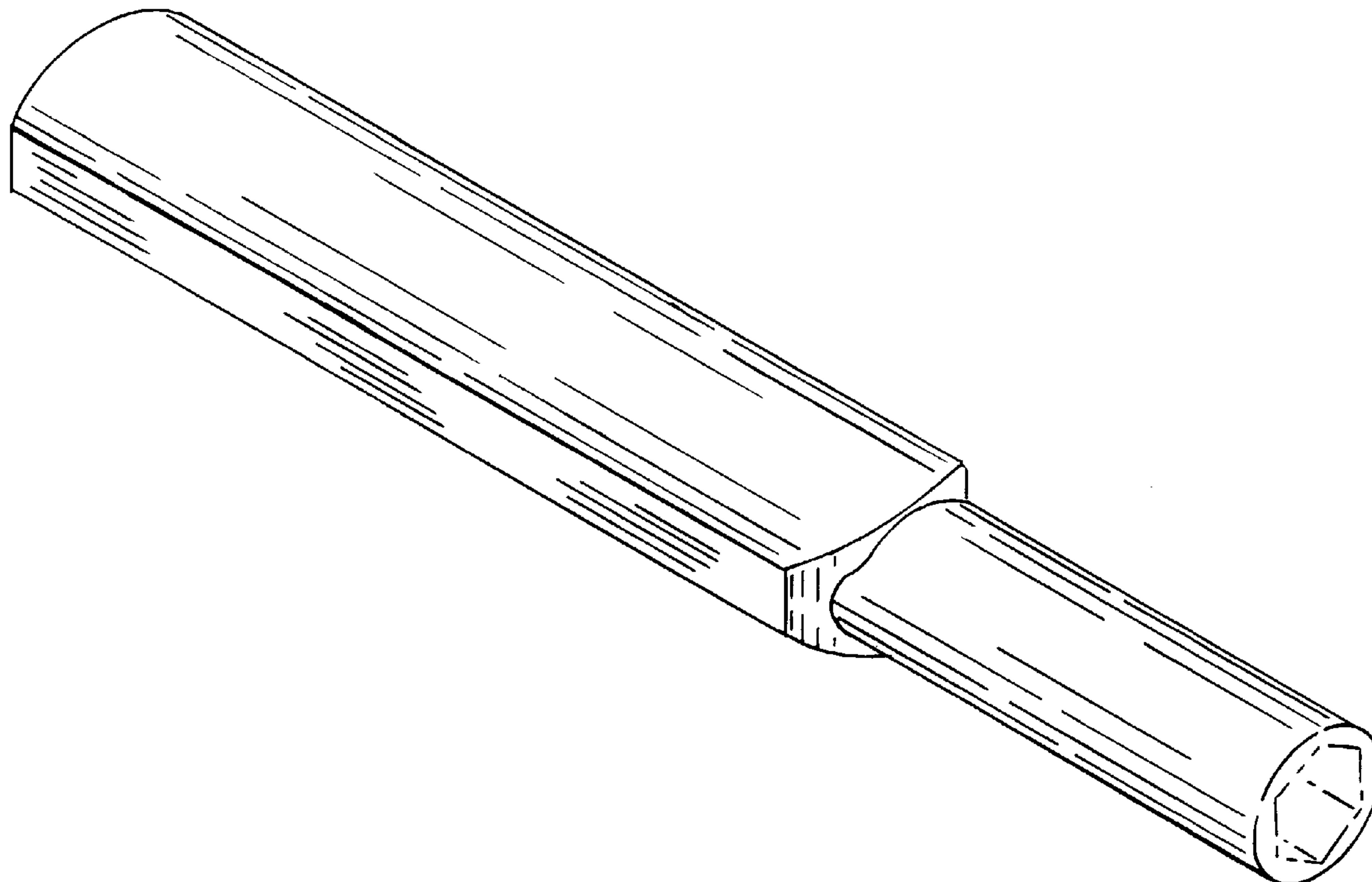
FIG. 3 is a side elevation view of one side thereof, the
opposite side being a mirror image;

FIG. 4 is a front elevation view from the right end of FIG.
3; and,

FIG. 5 is a rear elevation view from the left end of FIG. 3.

The broken line showing of a socket in the front end of the
handle in FIGS. 1 and 4 is for illustrative purposes only and
forms no part of the claimed design.

1 Claim, 1 Drawing Sheet



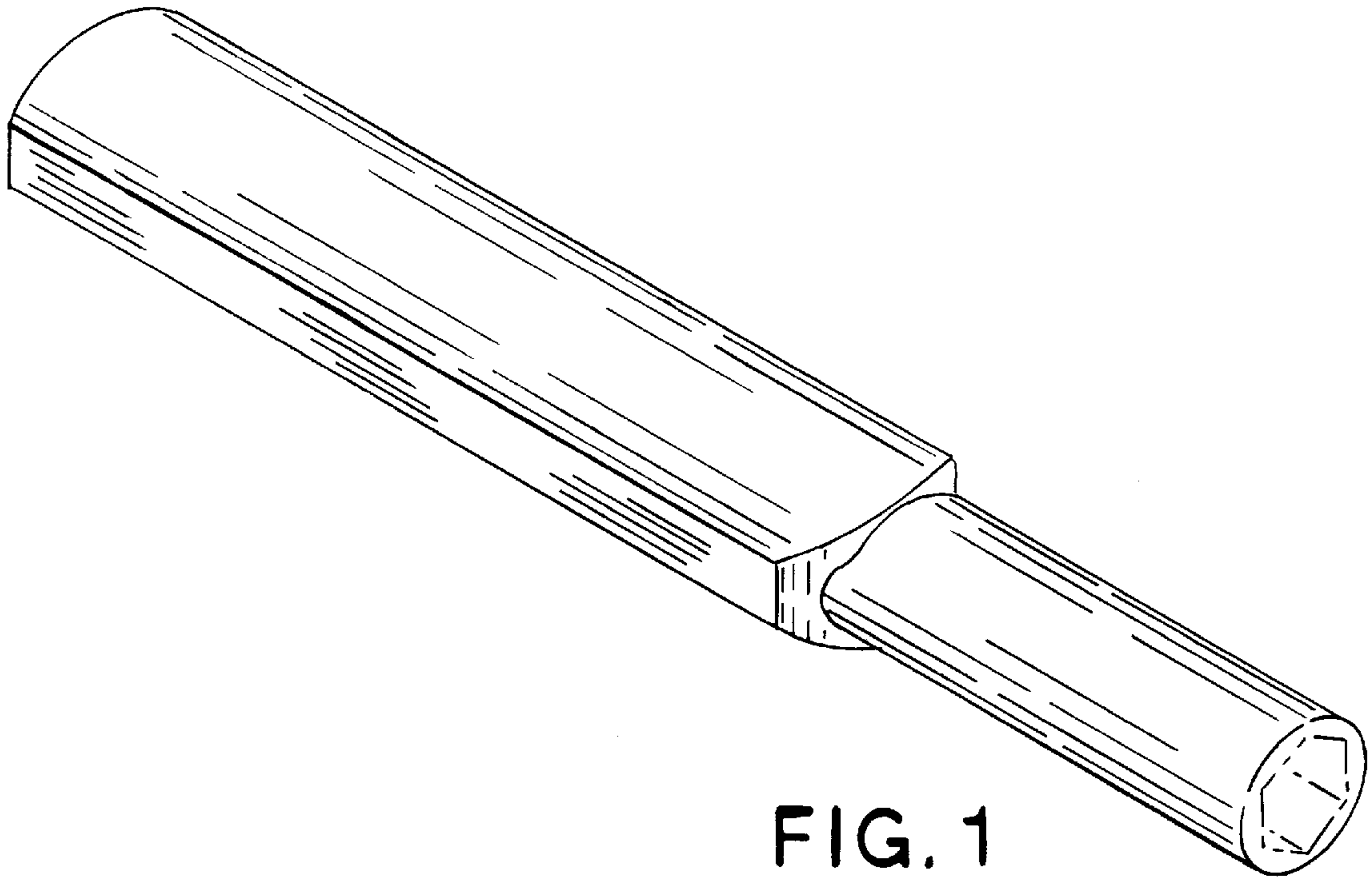


FIG. 1

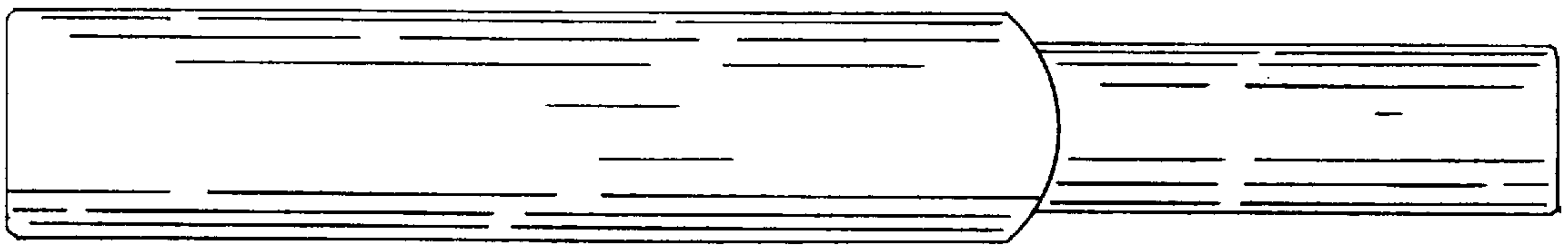


FIG. 2

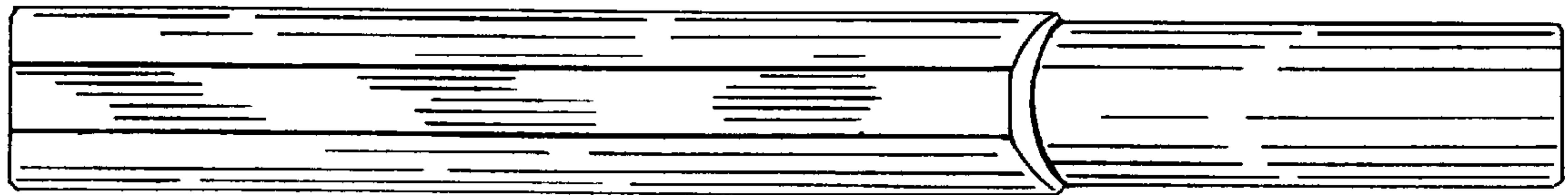


FIG. 3

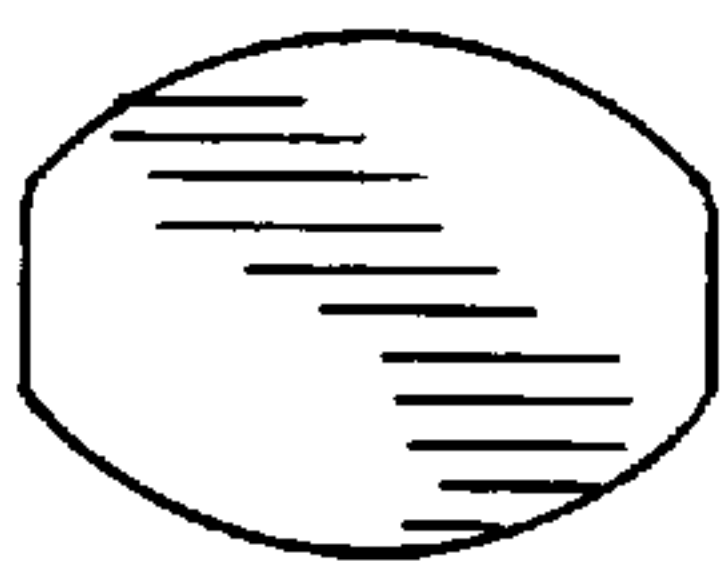


FIG. 5

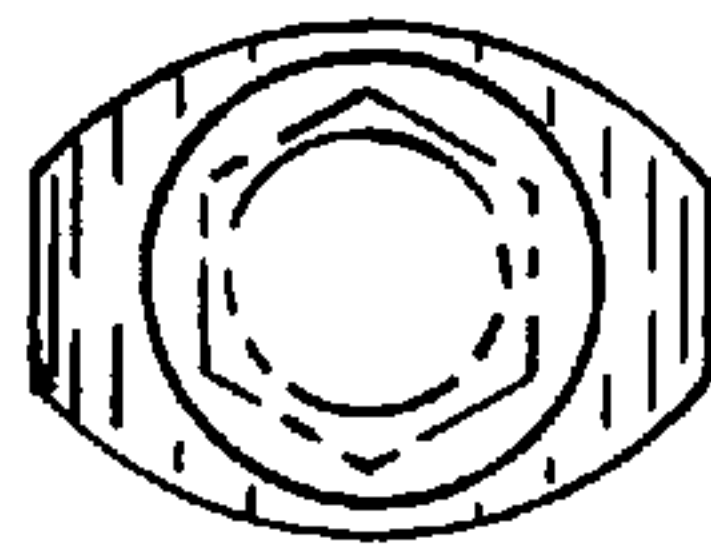


FIG. 4