



US00D426450S

United States Patent [19] Eklind

[11] **Patent Number: Des. 426,450**

[45] **Date of Patent: ** Jun. 13, 2000**

[54] **HANDLE GRIP**

[75] Inventor: **Howard A. Eklind**, Park Ridge, Ill.

[73] Assignee: **Eklind Tool Company**, Franklin Park, Ill.

[**] Term: **14 Years**

[21] Appl. No.: **29/107,937**

[22] Filed: **Jul. 19, 1999**

[51] **LOC (7) Cl.** **08-05**

[52] **U.S. Cl.** **D8/107**

[58] **Field of Search** D8/21, 22, 24, D8/26, 29, 105, 107, 300, 303, DIG. 7, DIG. 8; 81/177.1, 177.4, 439, 440, 489; 16/110.1, 111.1, 422, 430, 431, DIG. 12

[56] **References Cited**

U.S. PATENT DOCUMENTS

- D. 156,677 12/1949 Smith .
- D. 168,900 2/1953 Lutsker .
- D. 332,211 1/1993 Scott, III .
- D. 332,384 1/1993 Dague .
- D. 382,190 8/1997 Blackston et al. D8/107

- D. 385,767 11/1997 Sorensen et al. .
- 2,804,970 9/1957 Kuc et al. .
- 4,759,645 7/1988 Kuo .
- 5,791,211 8/1998 Bondhus et al. .

Primary Examiner—Alan P. Douglas
Assistant Examiner—Reid Hecker
Attorney, Agent, or Firm—Banner & Witcoff, Ltd.

[57] **CLAIM**

The ornamental design for a handle grip, as shown and described.

DESCRIPTION

FIG. 1 is a perspective view of a handle grip showing my new design;
FIG. 2 is a top plan view thereof;
FIG. 3 is a side elevational view, the opposite side being a mirror image, thereof; and,
FIG. 4 is an end elevational view, the opposite side being a mirror image thereof.
The uneven broken line showing of the remainder of the handle, key tools, screw mount areas, screws and rectangular outline is for illustration purposes only and forms no part of the claimed design.

1 Claim, 1 Drawing Sheet

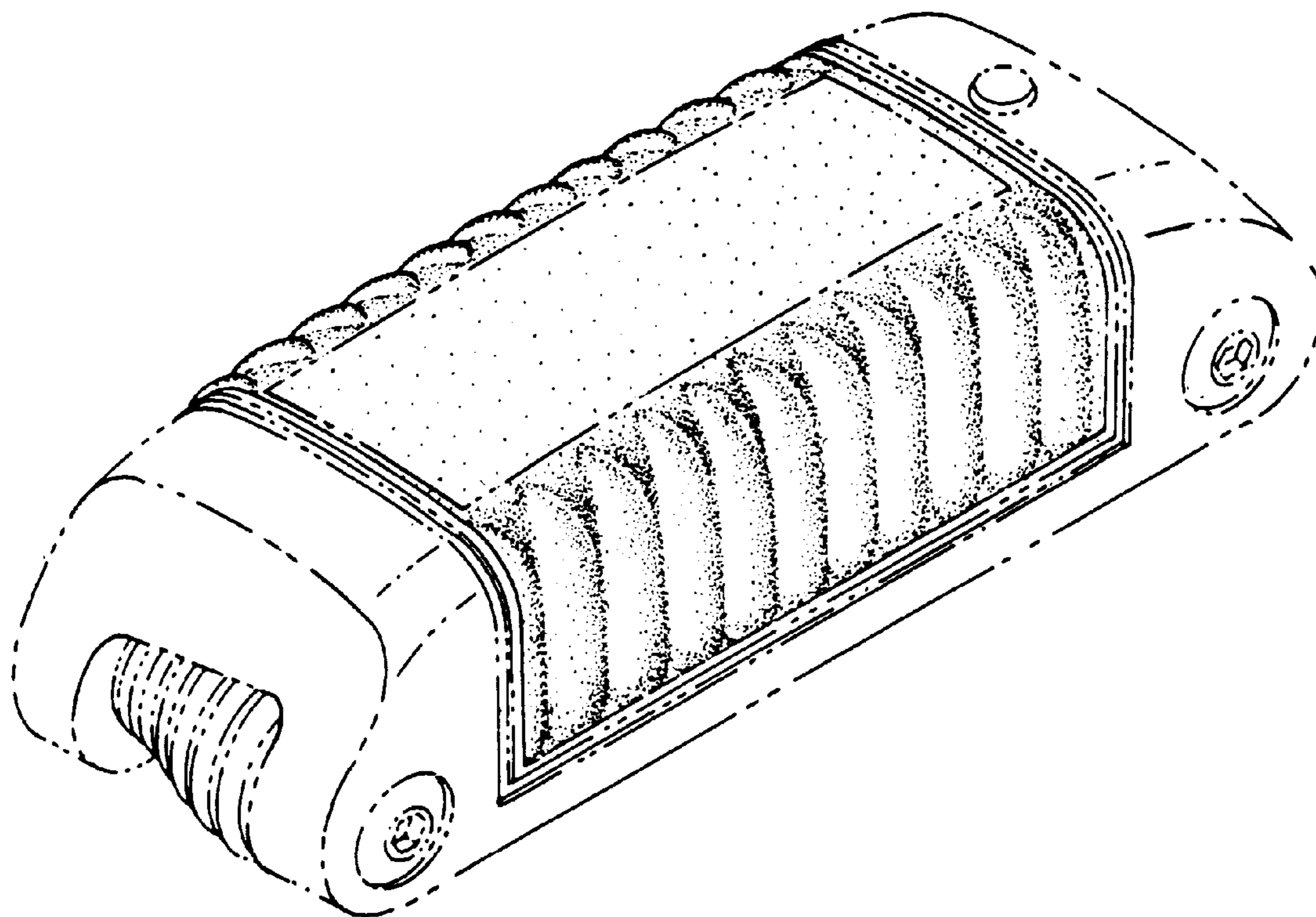


FIG.1

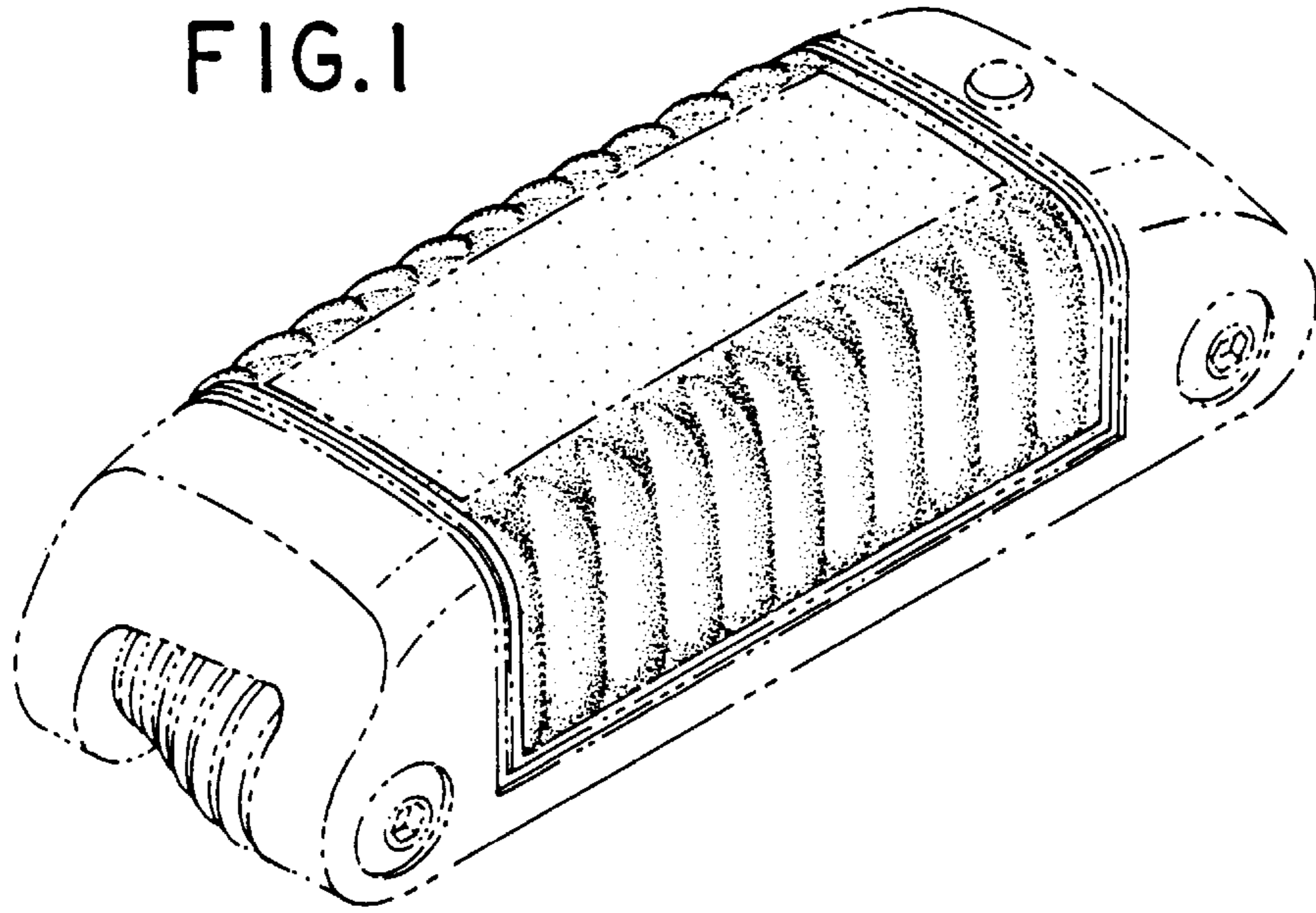


FIG.2

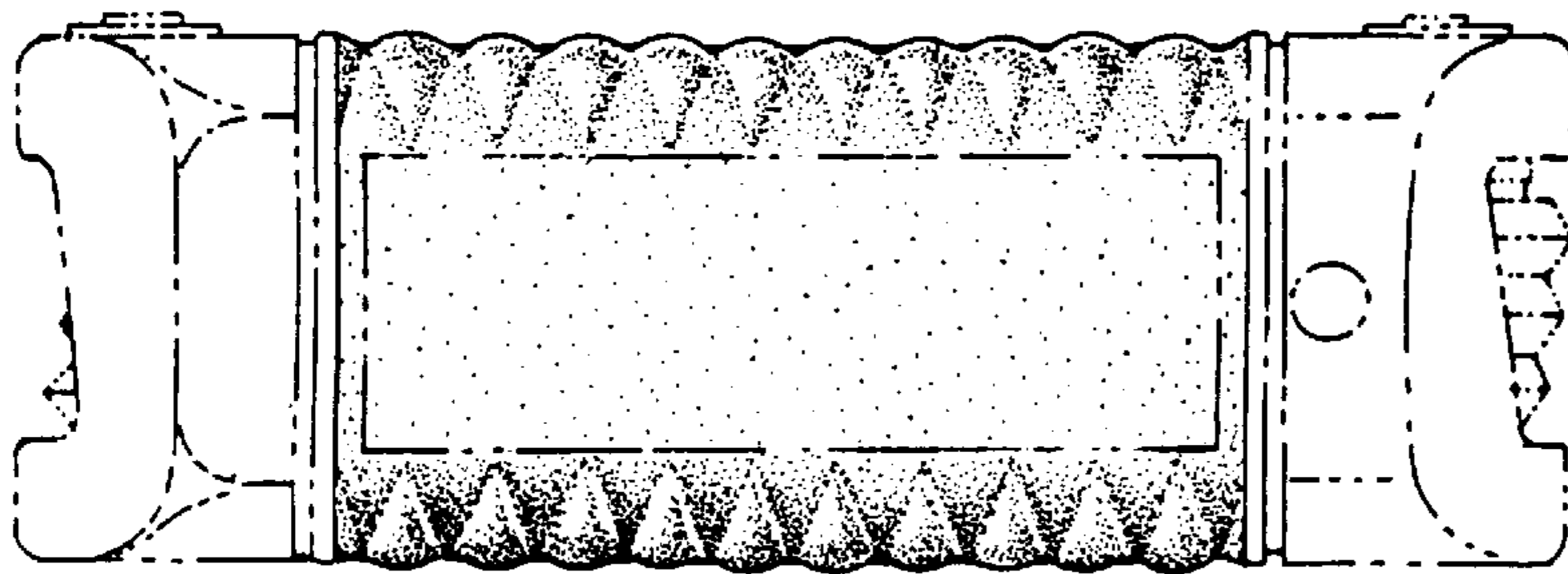


FIG.3

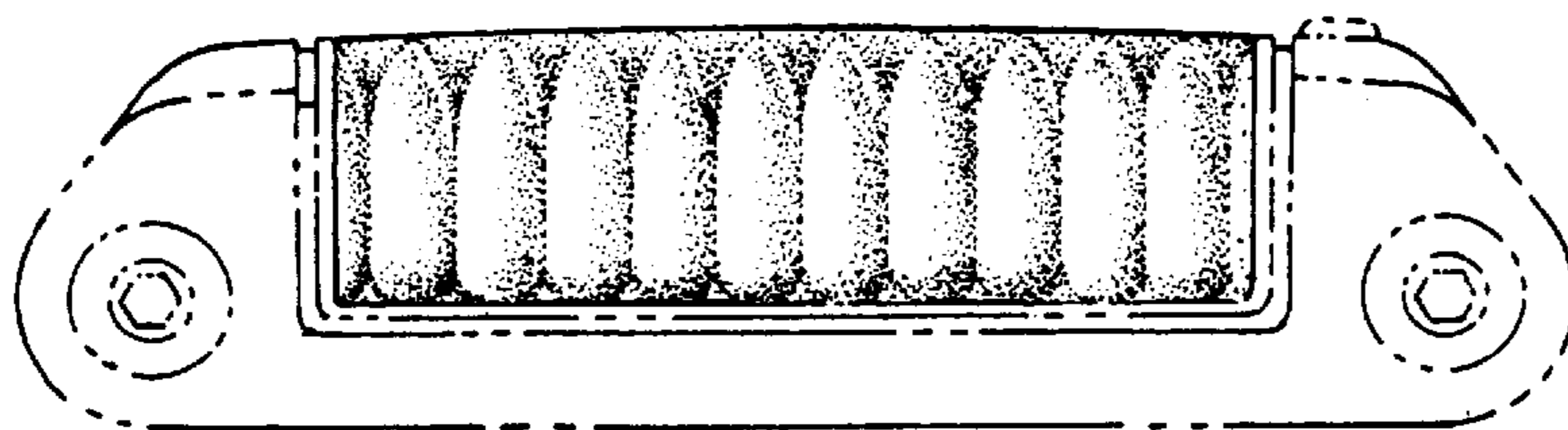


FIG.4

