



US00D426448S

United States Patent [19]

Ferrari et al.

[11] Patent Number: **Des. 426,448**

[45] Date of Patent: **** Jun. 13, 2000**

[54] **SHOCKING ABSORBING GRIP WRAP FOR USE ON HANDLES OF HAND TOOLS**

[75] Inventors: **Matthew F. Ferrari; Harry M. Ferrari**, both of Pittsburgh, Pa.

[73] Assignee: **Ferrari Importing Company**, Pittsburgh, Pa.

[**] Term: **14 Years**

[21] Appl. No.: **29/102,371**

[22] Filed: **Mar. 23, 1999**

[51] **LOC (7) Cl.** **08-05**

[52] **U.S. Cl.** **D8/107**

[58] **Field of Search** 473/204, 301; D8/107; 16/110.1, 436, 431, DIG. 12; D21/756

[56] **References Cited**

U.S. PATENT DOCUMENTS

2,721,741	10/1955	Prendergast	473/301
3,311,375	3/1967	Onions	473/301
3,813,729	6/1974	Szabo et al.	16/430
4,174,109	11/1979	Gaiser	16/DIG. 12
5,690,560	11/1997	Ruiz	473/301
5,813,921	9/1998	Huang	473/301
5,816,934	10/1998	Huang	473/301

Primary Examiner—Alan P. Douglas
Assistant Examiner—Reid Hecker
Attorney, Agent, or Firm—Michael R. Swartz

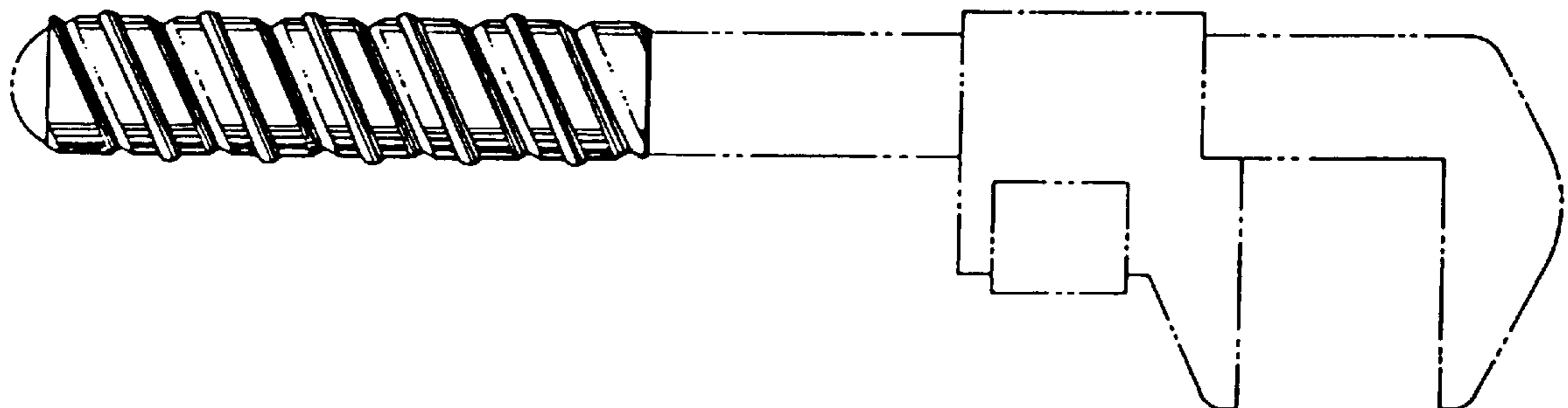
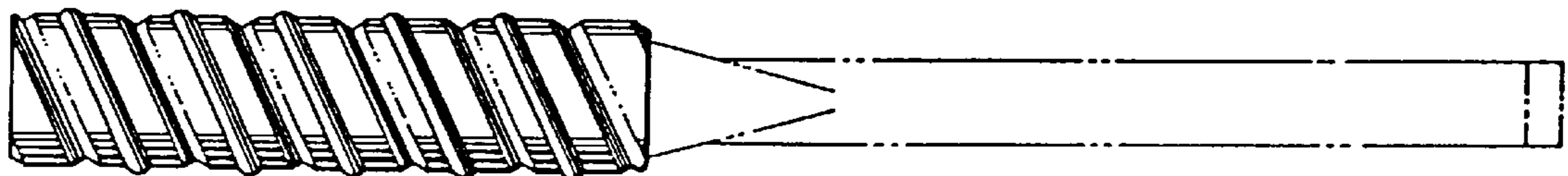
[57] **CLAIM**

The ornamental design of a shocking absorbing grip wrap for use on handles of hand tools, as shown and described.

DESCRIPTION

FIG. 1 is a perspective view of a shock absorbing grip wrap showing our new design;
FIG. 2 is a front elevational view thereof;
FIG. 3 is a rear elevational view thereof;
FIG. 4 is a top plan view thereof;
FIG. 5 is a bottom plan view thereof;
FIG. 6 is a left side elevational view thereof;
FIG. 7 is a right side elevational view thereof;
FIG. 8 is a view of the shock absorbing grip wrap applied to the handle of a hammer;
FIG. 9 is a view of the shock absorbing grip wrap applied to the handle of a screwdriver;
FIG. 10 is a view of the shock absorbing grip wrap applied to the handle of a chisel; and,
FIG. 11 is a view of the shock absorbing grip wrap applied to the handle of a pipe-wrench.

1 Claim, 2 Drawing Sheets



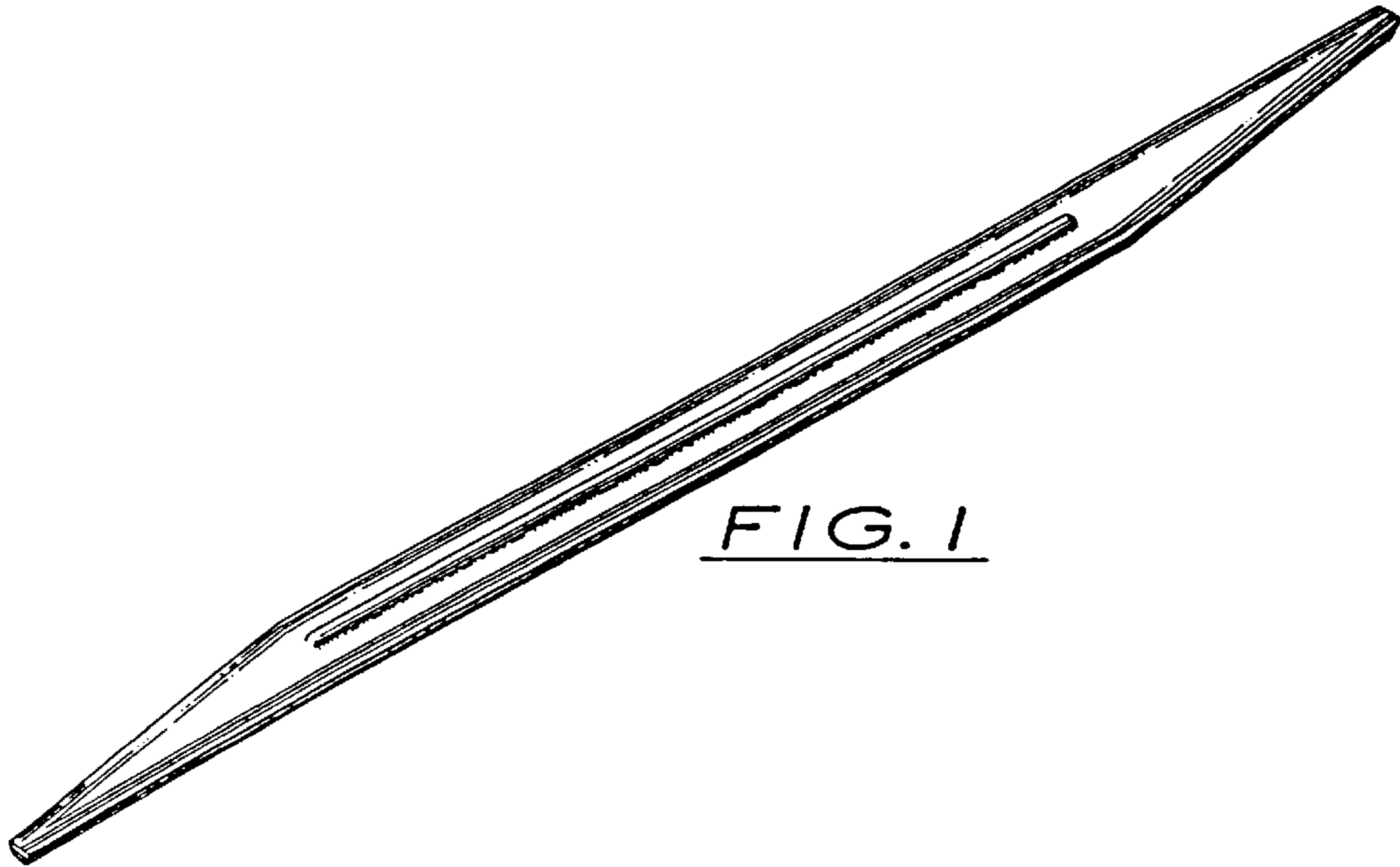


FIG. 1

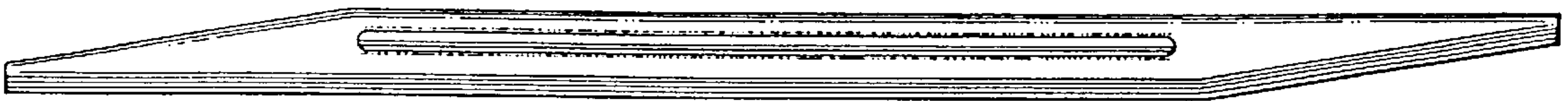


FIG. 2

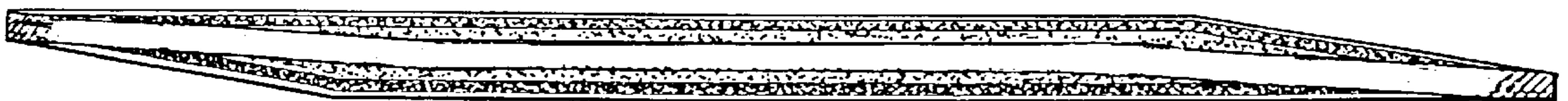


FIG. 3

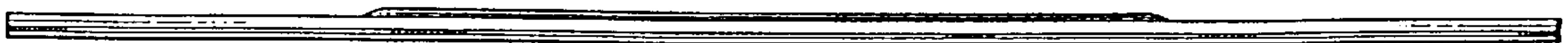


FIG. 4

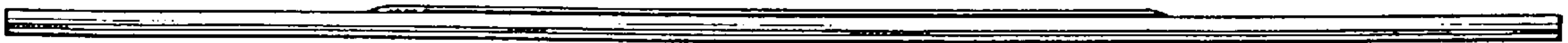


FIG. 5



FIG. 6



FIG. 7

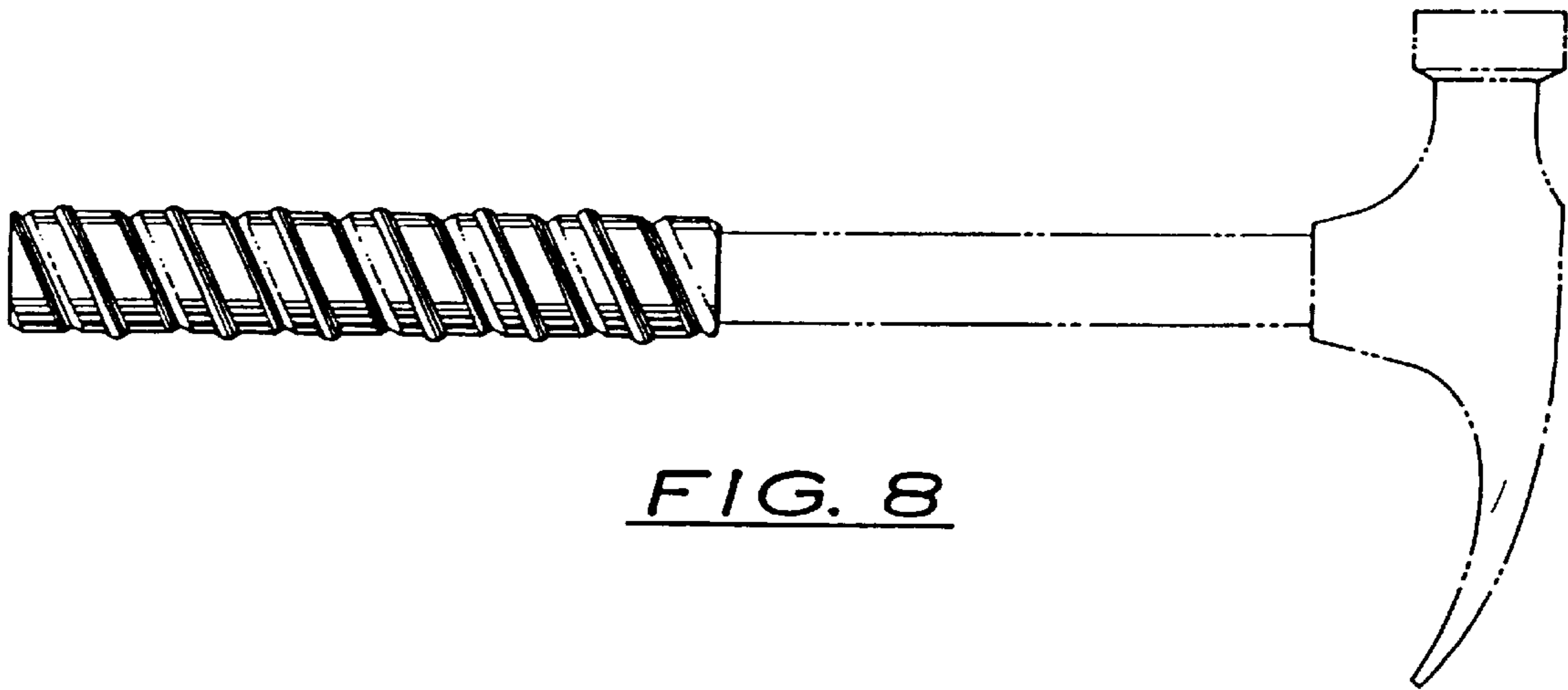


FIG. 8

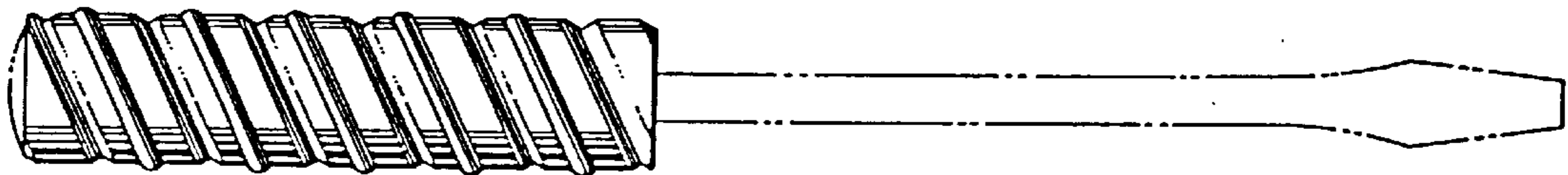


FIG. 9

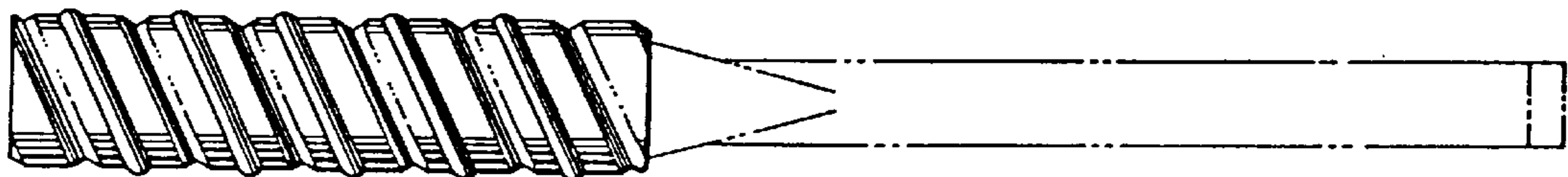


FIG. 10

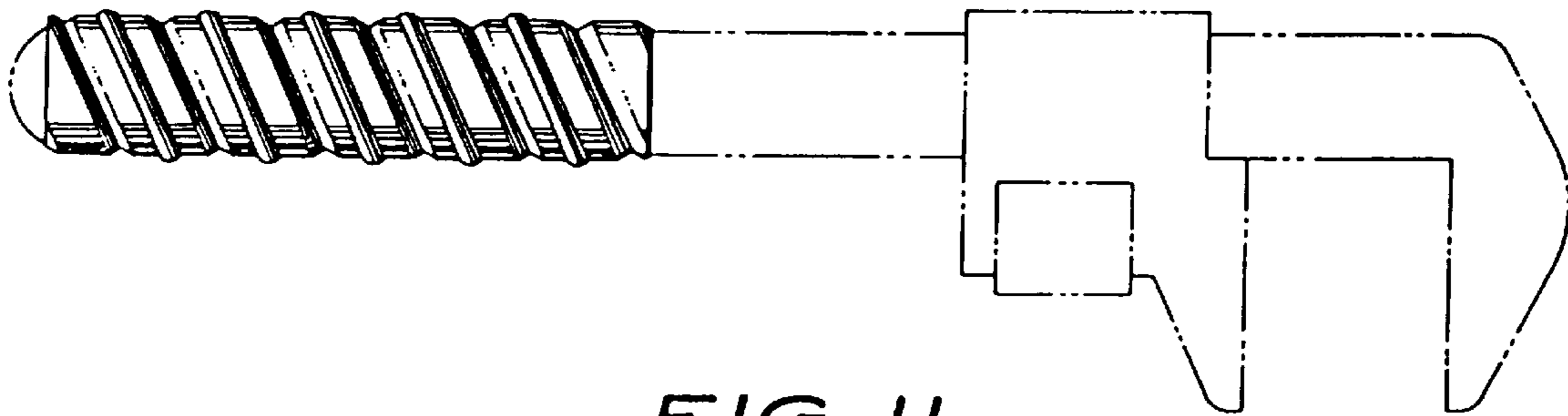


FIG. 11