



US00D426446S

United States Patent [19] Chau

[11] **Patent Number: Des. 426,446**
[45] **Date of Patent: ** Jun. 13, 2000**

[54] **MULTI-FUNCTION TOOL**

6,038,723 3/2000 Nabors et al. 7/128

[75] Inventor: **Lap Yan Chau**, Quarry Bay, The Hong Kong Special Administrative Region of the People's Republic of China

OTHER PUBLICATIONS

Gorilla & Sons, Inc., rec'd Jun. 1997, pp. 80-82 Multi tools.
Gorilla & Sons, Inc., rec'd Jun. 1997, rear cover, Schrade Tough Tool.

[73] Assignee: **Alltrade Inc.**, Long Beach, Calif.

Primary Examiner—Jeffrey Asch
Attorney, Agent, or Firm—Robert R. Thornton

[**] Term: **14 Years**

[21] Appl. No.: **29/110,885**

[57] **CLAIM**

[22] Filed: **Sep. 15, 1999**

The ornamental design for a multi-function tool, as shown and described.

[51] **LOC (7) Cl.** **08-05**

DESCRIPTION

[52] **U.S. Cl.** **D8/105; D8/55**

[58] **Field of Search** D8/105, 26, 99, D8/55, 81, 87; 30/161, 164, 153, 152; 7/118, 125-135, 138, 143, 164, 170; 81/177.1, 177.2, 177.6, 427.5

FIG. 1 is a bottom, right, front perspective view of a multi-function tool showing my new design, when in a partially open disposition;

[56] **References Cited**

U.S. PATENT DOCUMENTS

D. 368,634	4/1996	Frazer	D8/105
D. 382,182	8/1997	Seber et al.	D8/55
D. 384,872	10/1997	Yeh	D8/105
D. 401,133	11/1998	Gardiner et al.	D8/105
D. 406,997	3/1999	Robbins	D8/55
D. 407,286	3/1999	Seber et al.	D8/55
D. 407,621	4/1999	Koon et al.	D8/105
4,744,272	5/1988	Leatherman	7/128 X
4,888,869	12/1989	Leatherman	30/161
5,142,721	9/1992	Sessions et al.	7/128
5,267,366	12/1993	Frazer	7/128
5,697,114	12/1997	McIntosh et al.	7/129
5,745,997	5/1998	Berg et al.	30/155
5,791,002	8/1998	Gardiner et al.	7/128
5,809,599	9/1998	Frazer	7/128
5,963,999	10/1999	Gardiner et al.	7/128
5,978,993	11/1999	Rivera	7/128
5,979,059	11/1999	Leatherman et al.	30/161
5,979,959	11/1999	Rivera	7/168 X
6,003,180	12/1999	Frazer	7/128
6,014,787	1/2000	Rivera	7/128

FIG. 2 is a rear plan view thereof in another partially open disposition;

FIG. 3 is a rear plan view thereof when in the disposition of FIG. 1;

FIG. 4 is a front plan view thereof when in the disposition of FIG. 1;

FIG. 5 is a bottom plan view thereof when in the disposition of FIG. 1;

FIG. 6 is a top plan view thereof when in the disposition of FIG. 1;

FIG. 7 is a right side elevational view thereof when in the disposition of FIG. 1;

FIG. 8 is a left side elevational view thereof when in the disposition of FIG. 1;

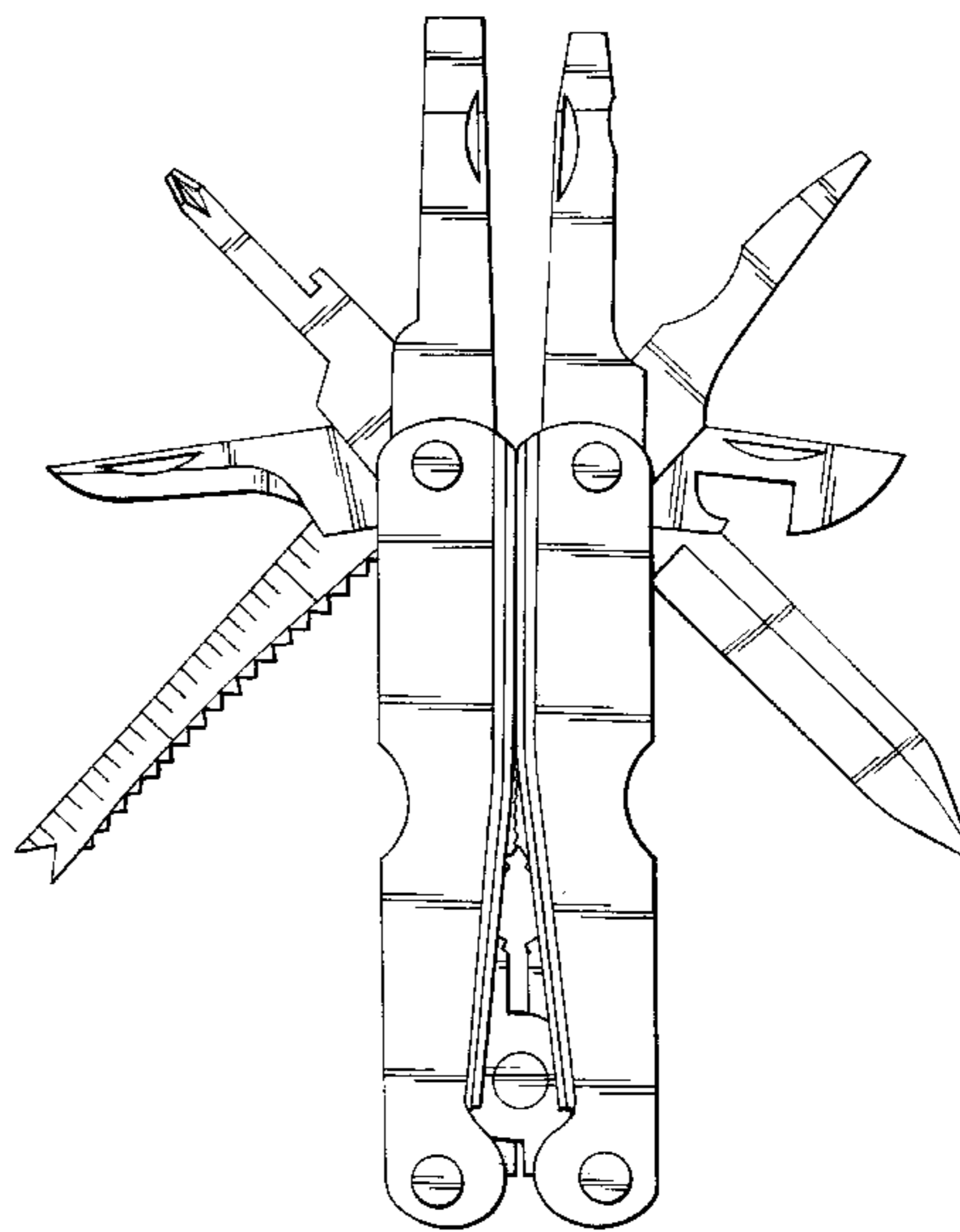
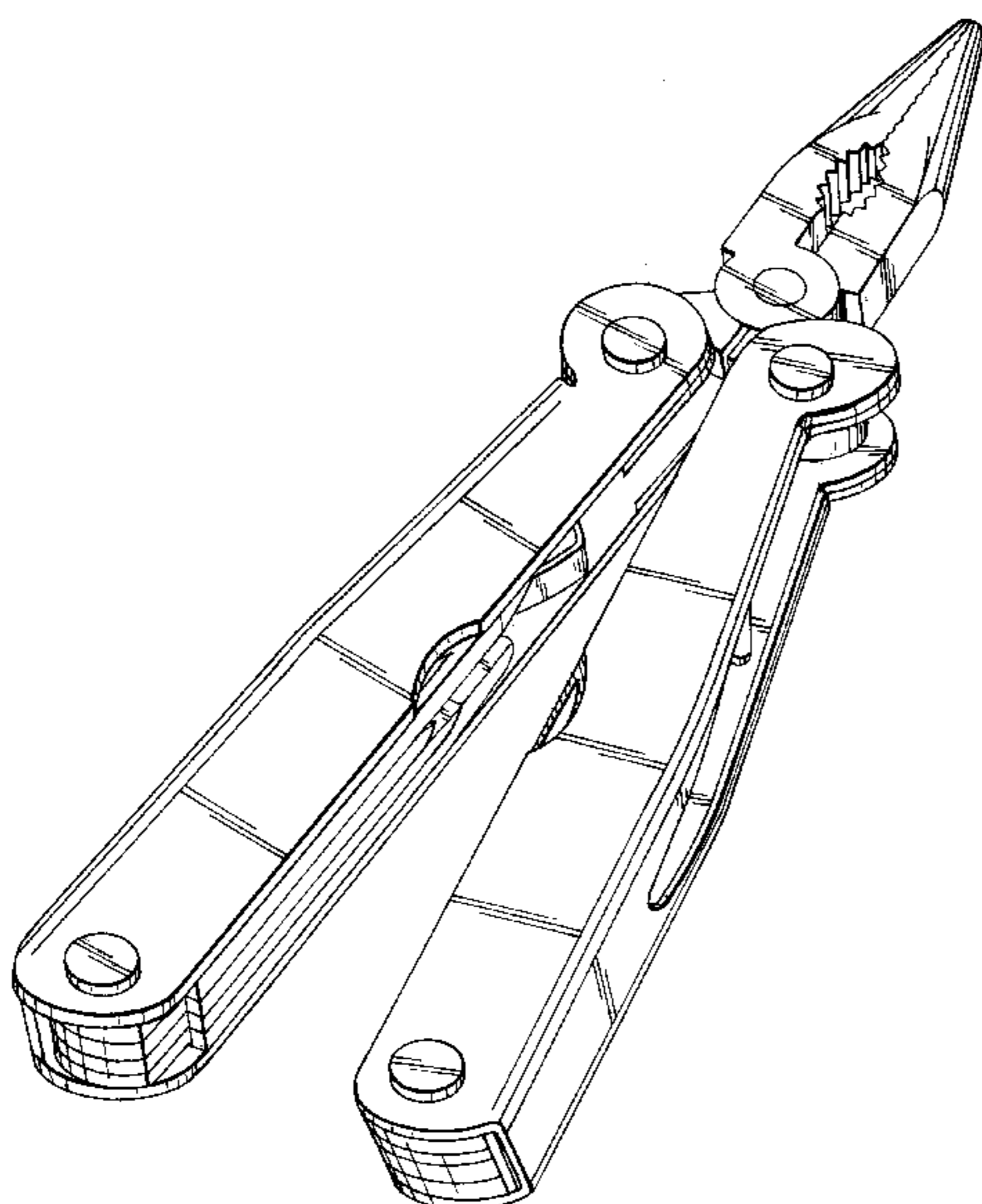
FIG. 9 is a front plan view thereof in a folded disposition, and with a knife blade extended;

FIG. 10 is a front plan view thereof in the folded disposition of FIG. 9, but with the knife blade retracted;

FIG. 11 is a rear plan view thereof in the folded disposition of FIG. 9, and with its various tools extended; and,

FIG. 12 is a rear plan view thereof in another different unfolded disposition, and with its various tools extended.

1 Claim, 7 Drawing Sheets



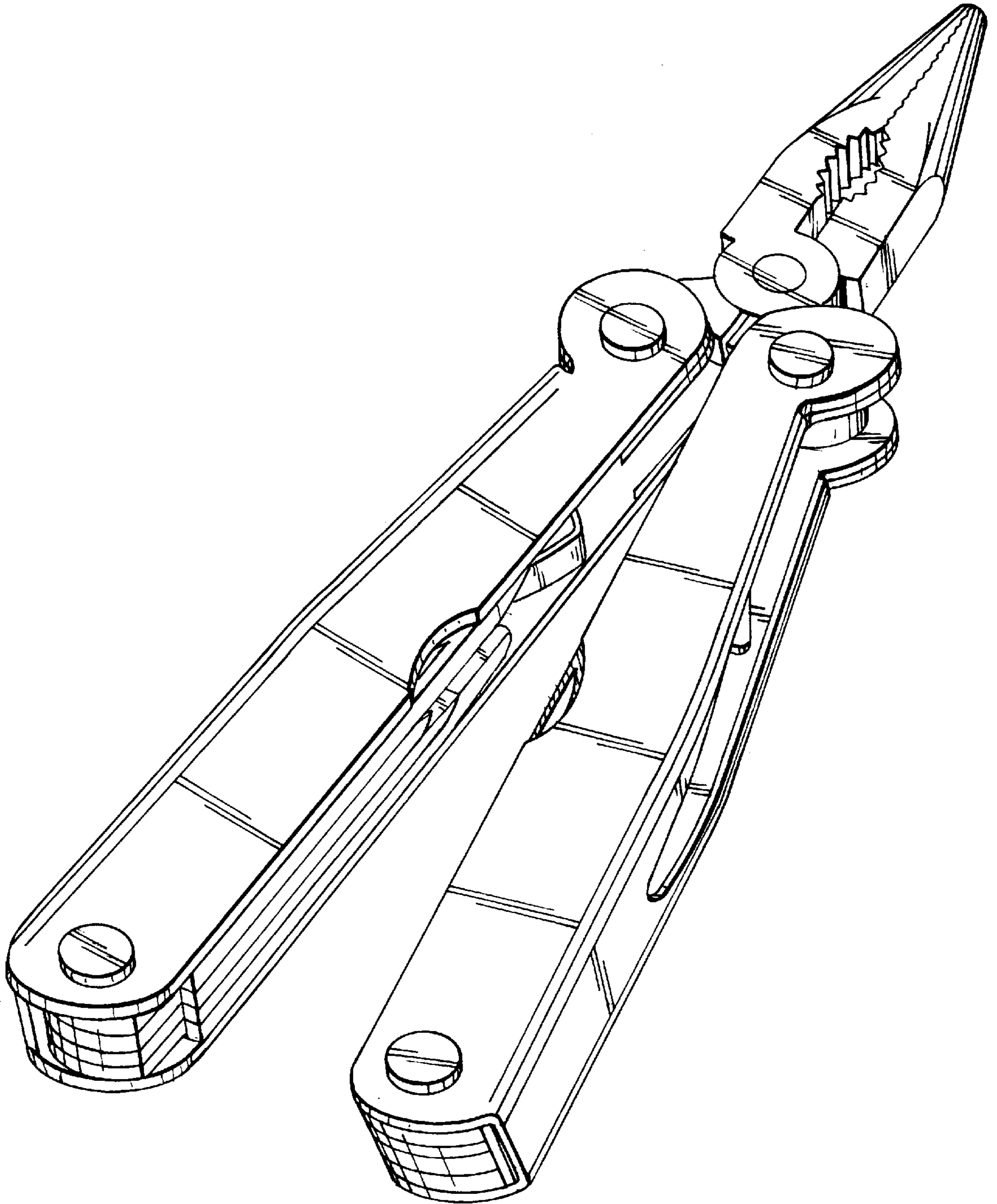


Fig. 1

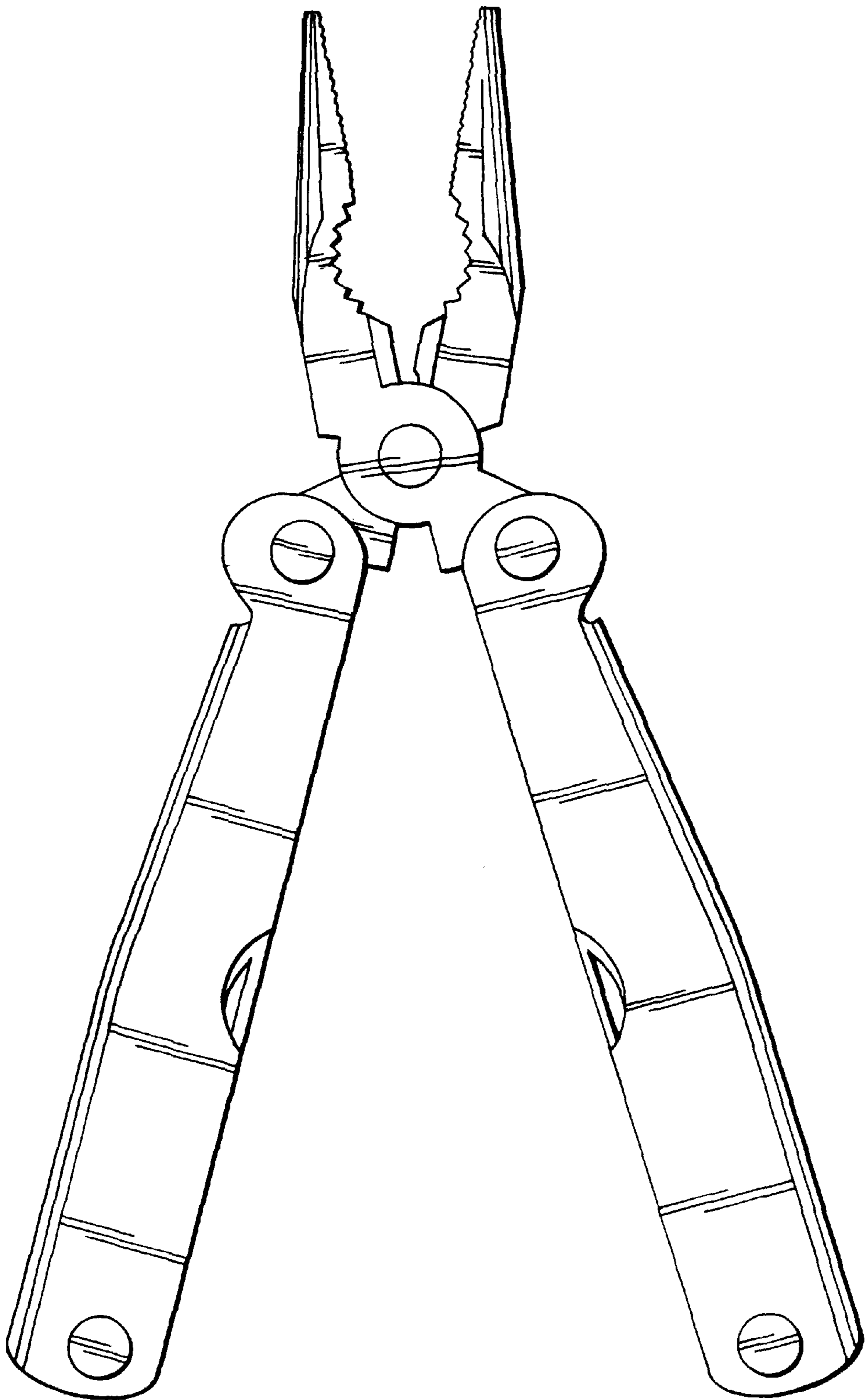


Fig. 2

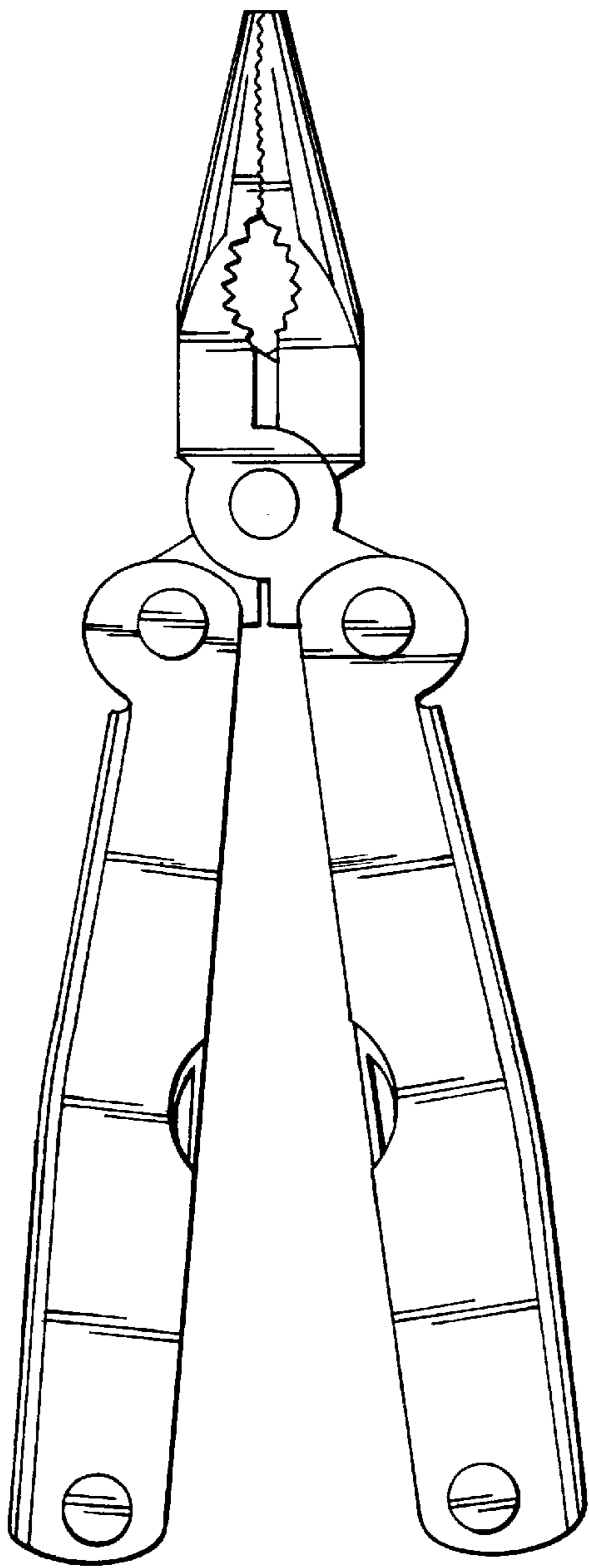


Fig. 3

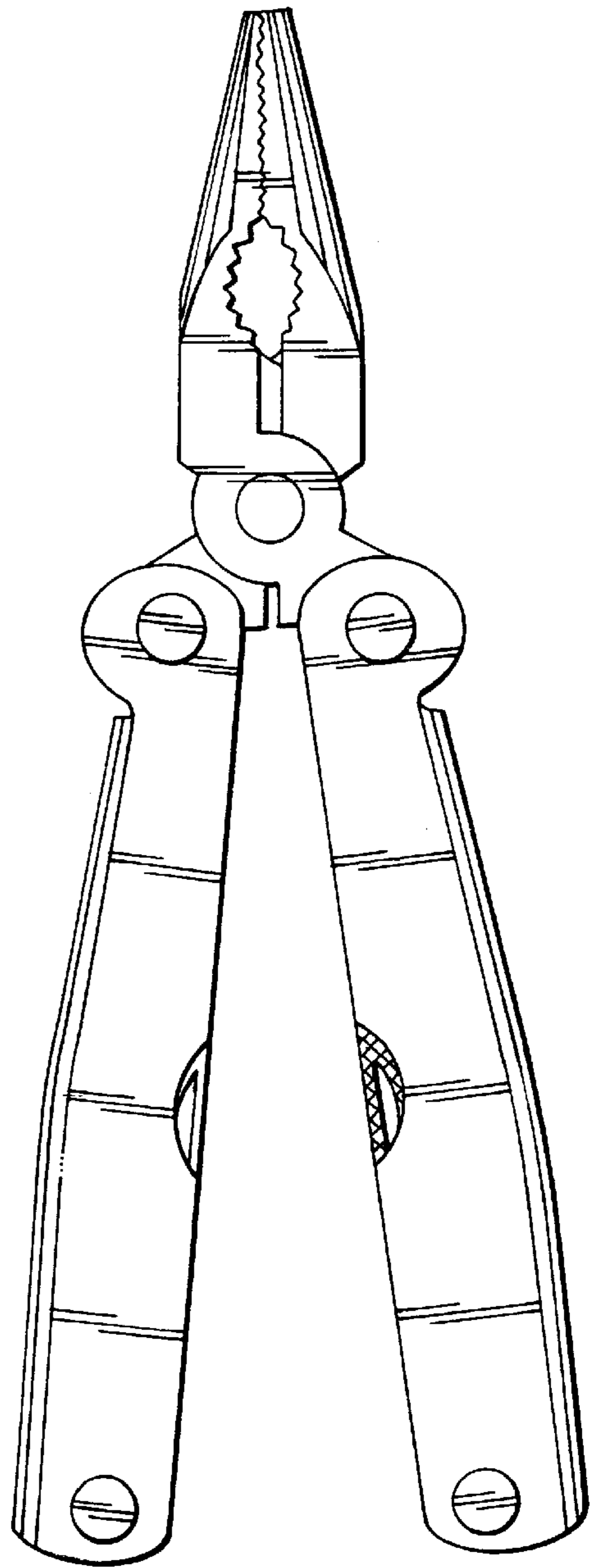


Fig. 4

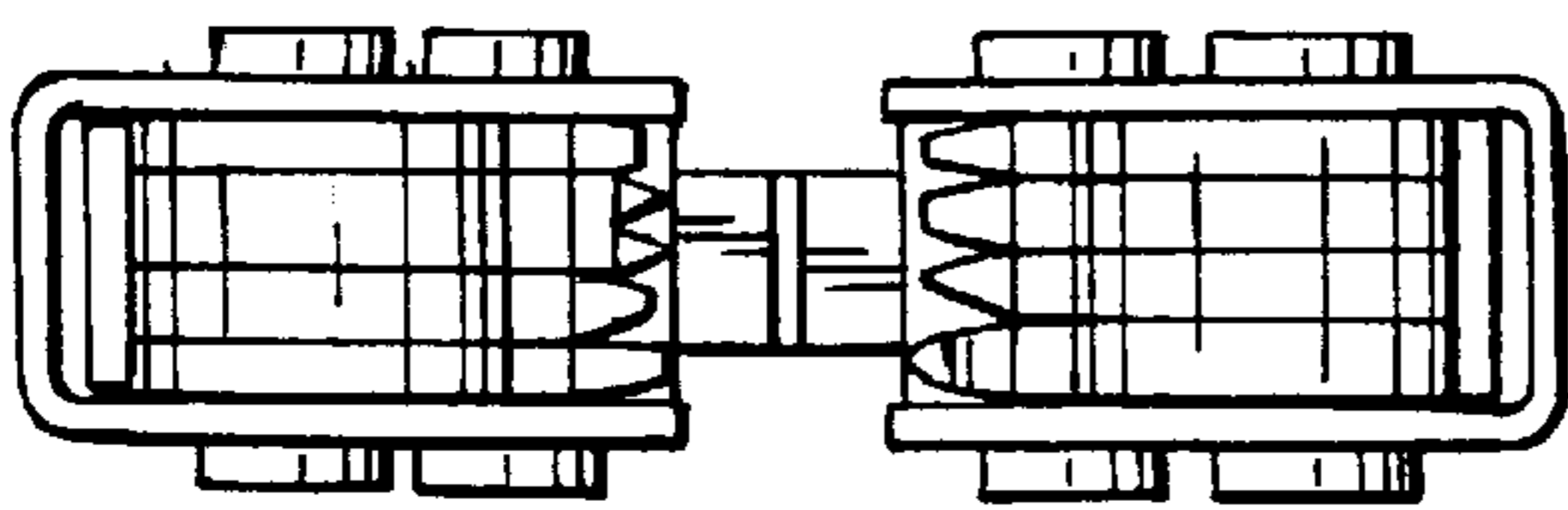


Fig. 5

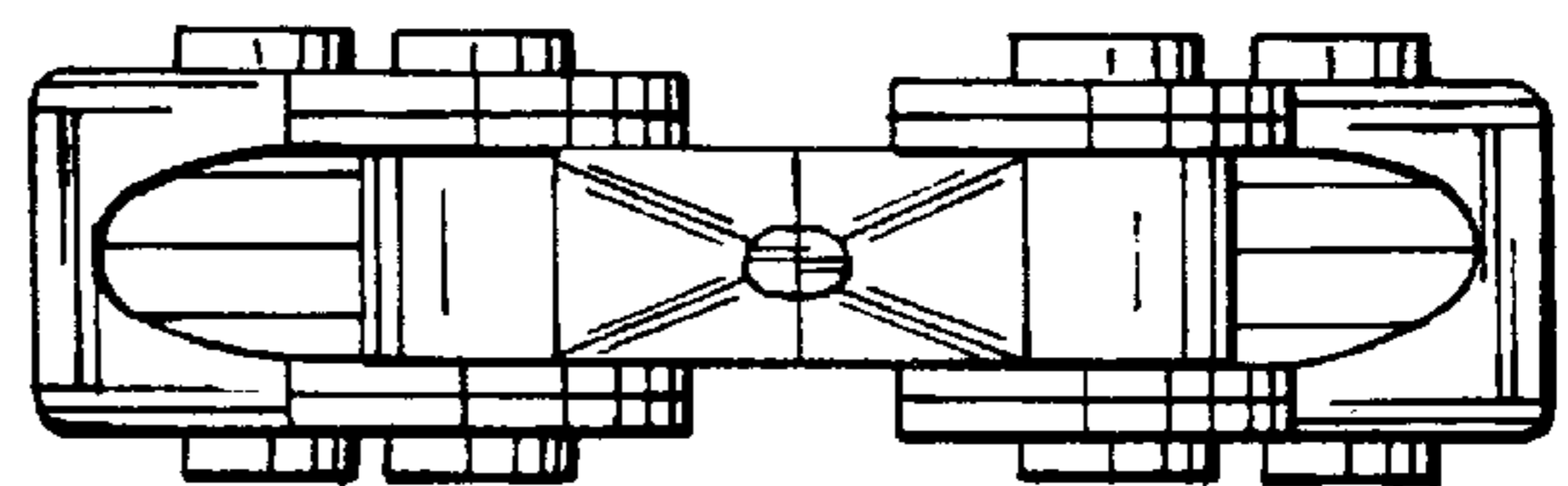


Fig. 6

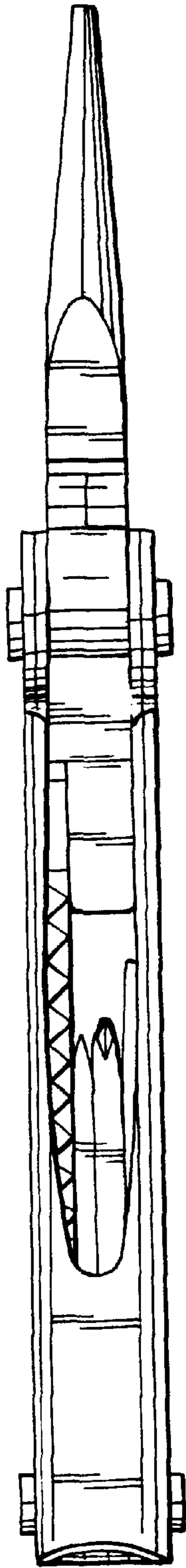


Fig. 7

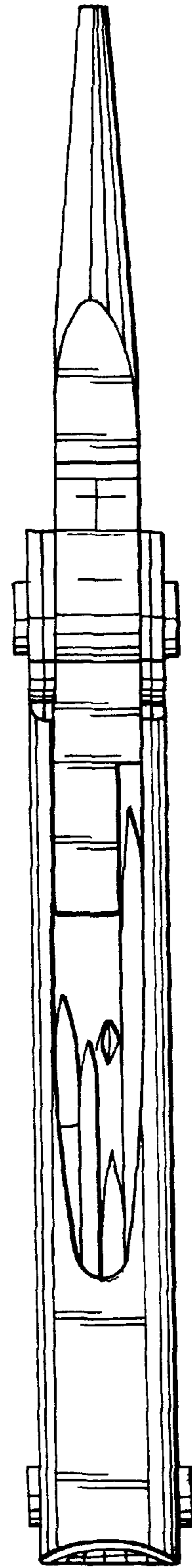


Fig. 8

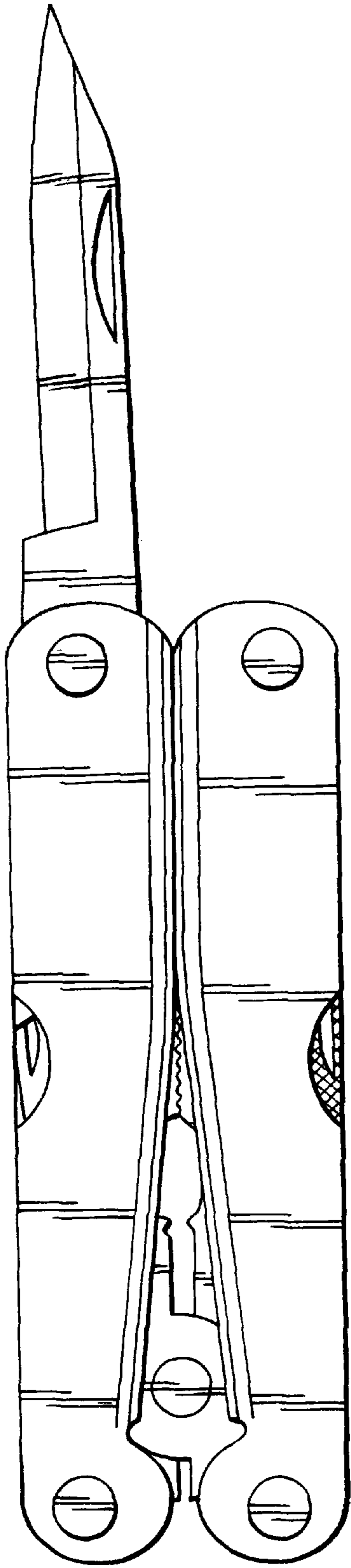


Fig. 9

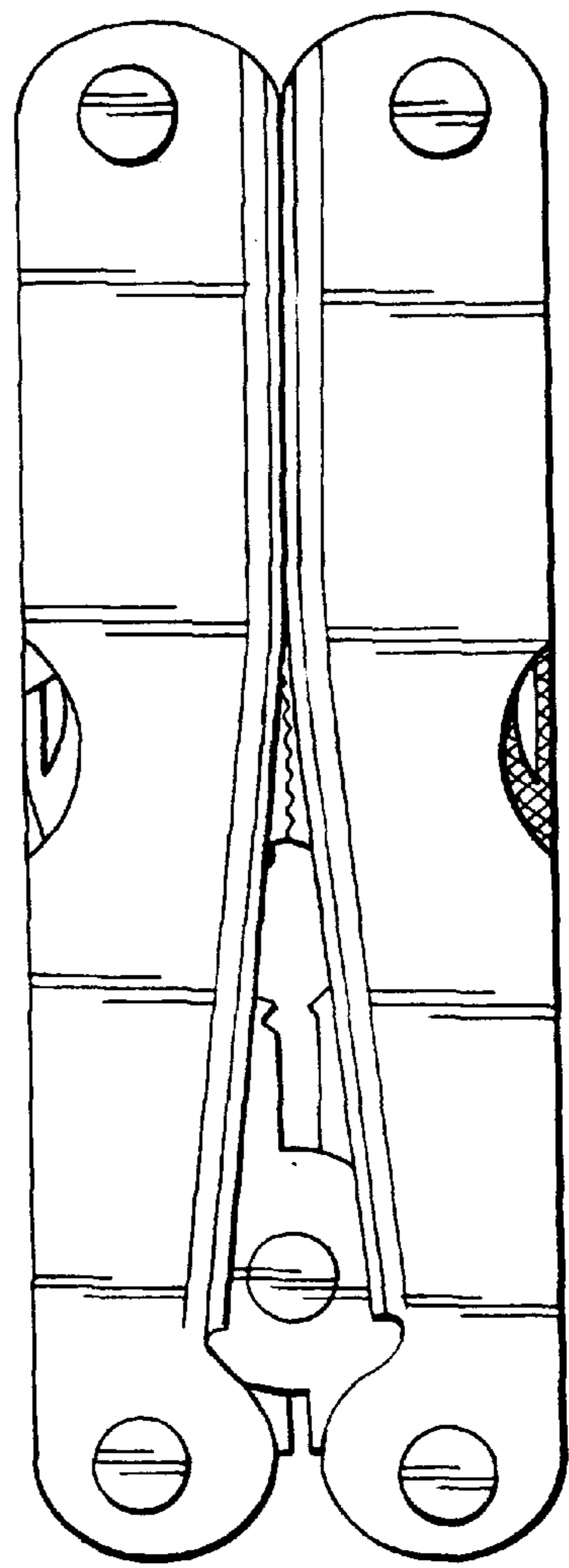


Fig. 10

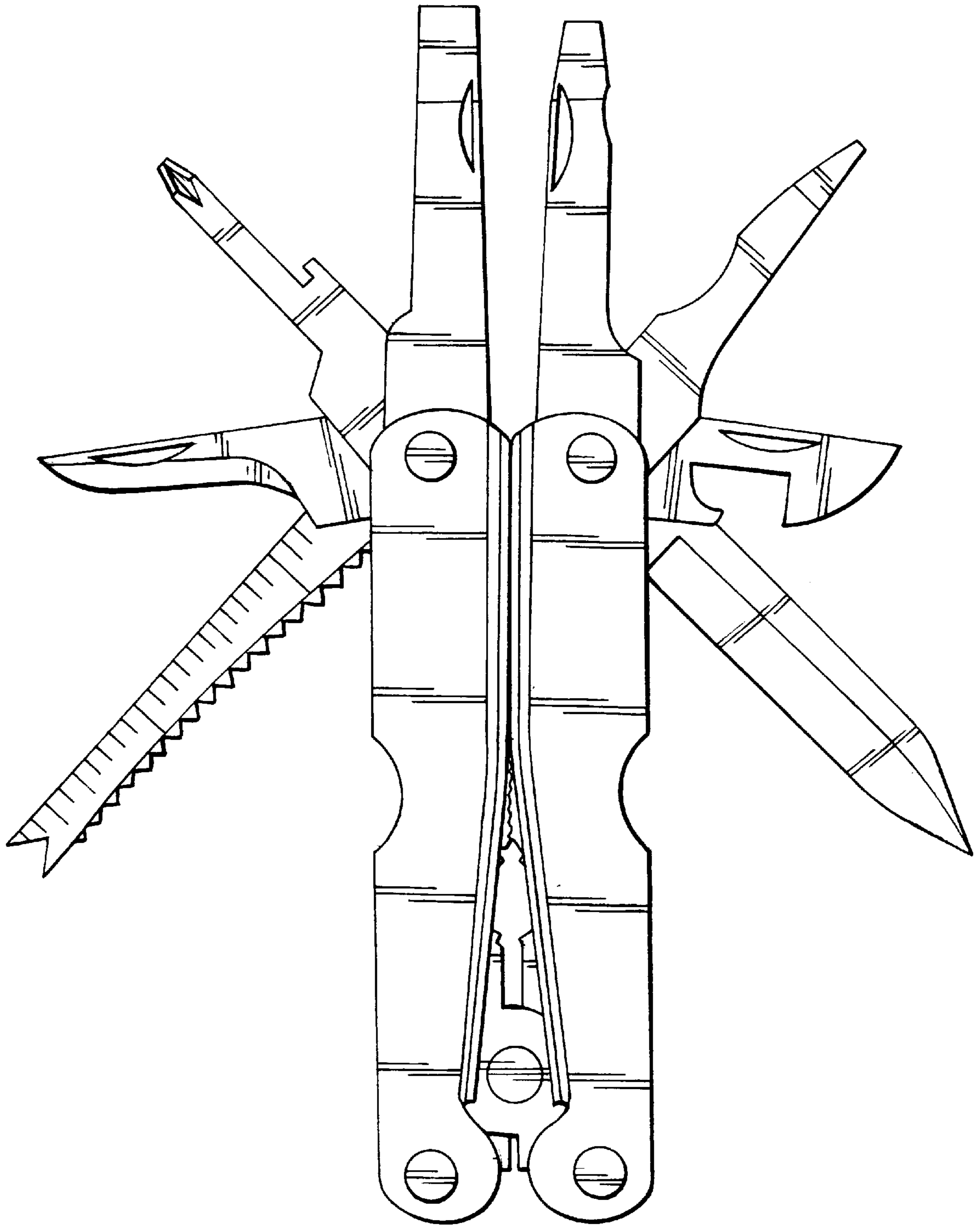


Fig. II

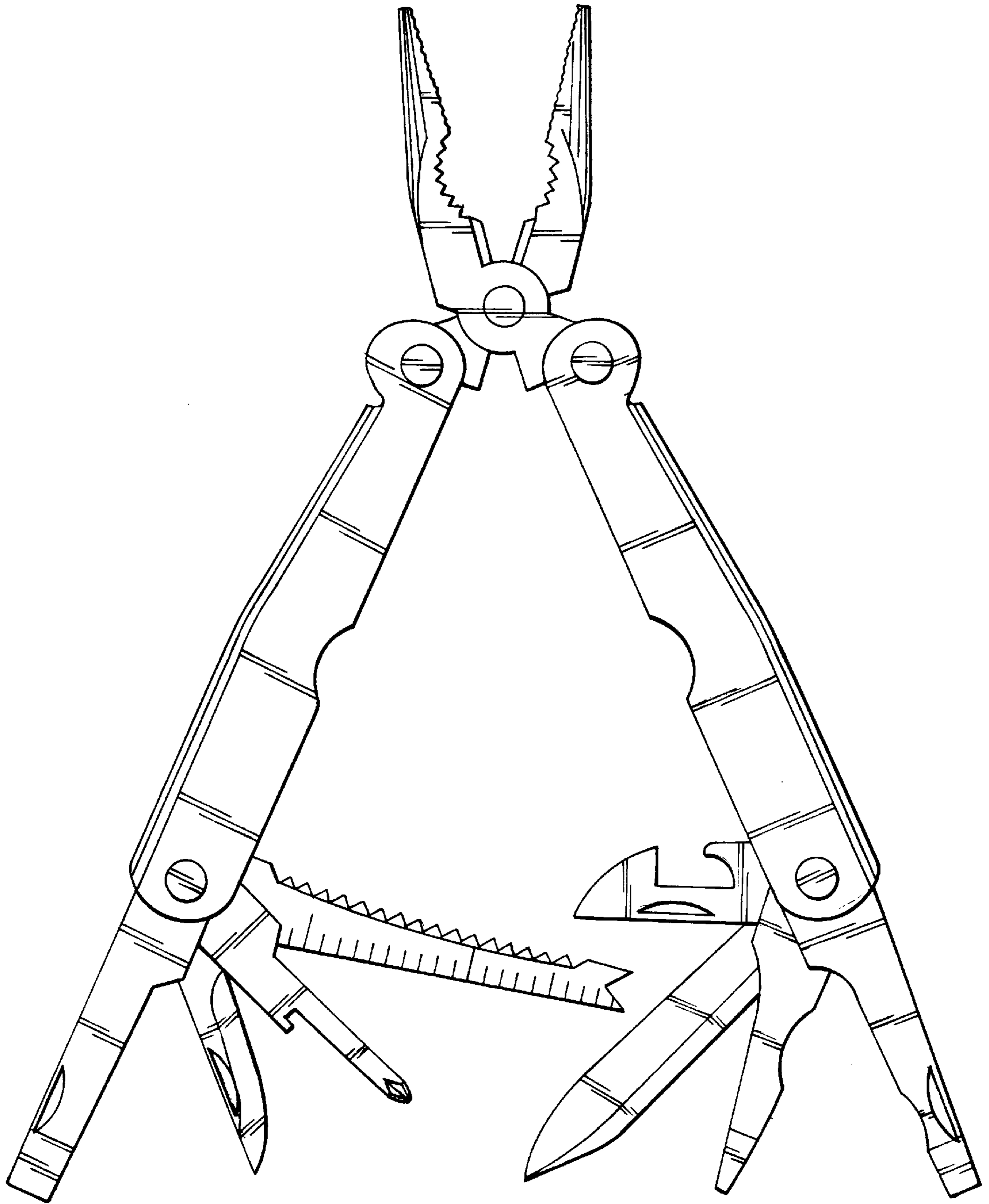


Fig. 12