



US00D426443S

United States Patent [19]
Lai

[11] **Patent Number: Des. 426,443**

[45] **Date of Patent: ** Jun. 13, 2000**

[54] **WORK PIECE SUPPORT FOR A SHEAR DEVICE**

5,542,182 8/1996 Martinez 30/179

[76] Inventor: **Mu Tung Lai**, P.O. Box 63-99,
Taichung 406, Taiwan

Primary Examiner—Philip S. Hyder

[**] Term: **14 Years**

[57] **CLAIM**

The ornamental design for a work piece support for a shear device, as shown and described.

[21] Appl. No.: **29/104,472**

DESCRIPTION

[22] Filed: **May 5, 1999**

FIG. 1 is a perspective view of a work piece support for a shear device showing my new design;
FIG. 2 is a front elevational view thereof;
FIG. 3 is a rear elevational view thereof;
FIG. 4 is a top plan view thereof;
FIG. 5 is a bottom plan view thereof;
FIG. 6 is a left side elevational view thereof;
FIG. 7 is a right side elevational view thereof; and,
FIG. 8 is a perspective view of my new design, the shear device depicted by means of broken lines being for illustrative purposes only and forming no part of the claimed design.

[51] **LOC (7) Cl.** **08-05**

[52] **U.S. Cl.** **D8/71; D8/52**

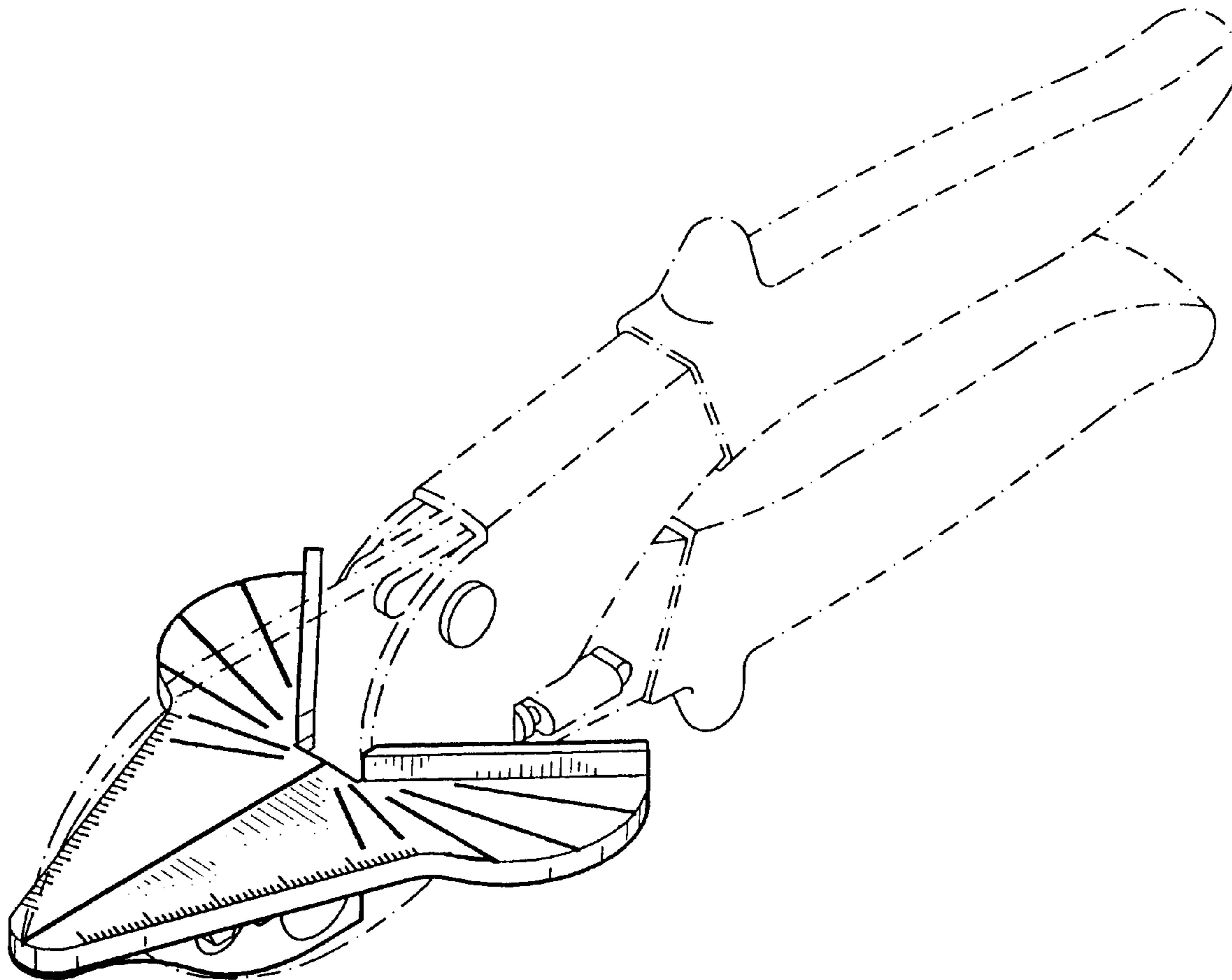
[58] **Field of Search** D8/51, 52, 55,
D8/98, 5, 71; 30/179, 286, 178, 293; D10/64,
65

[56] **References Cited**

U.S. PATENT DOCUMENTS

2,465,168	6/1946	Monsch	30/179
3,936,935	2/1976	Gregory	30/179
4,106,195	8/1978	Berg	30/293

1 Claim, 3 Drawing Sheets



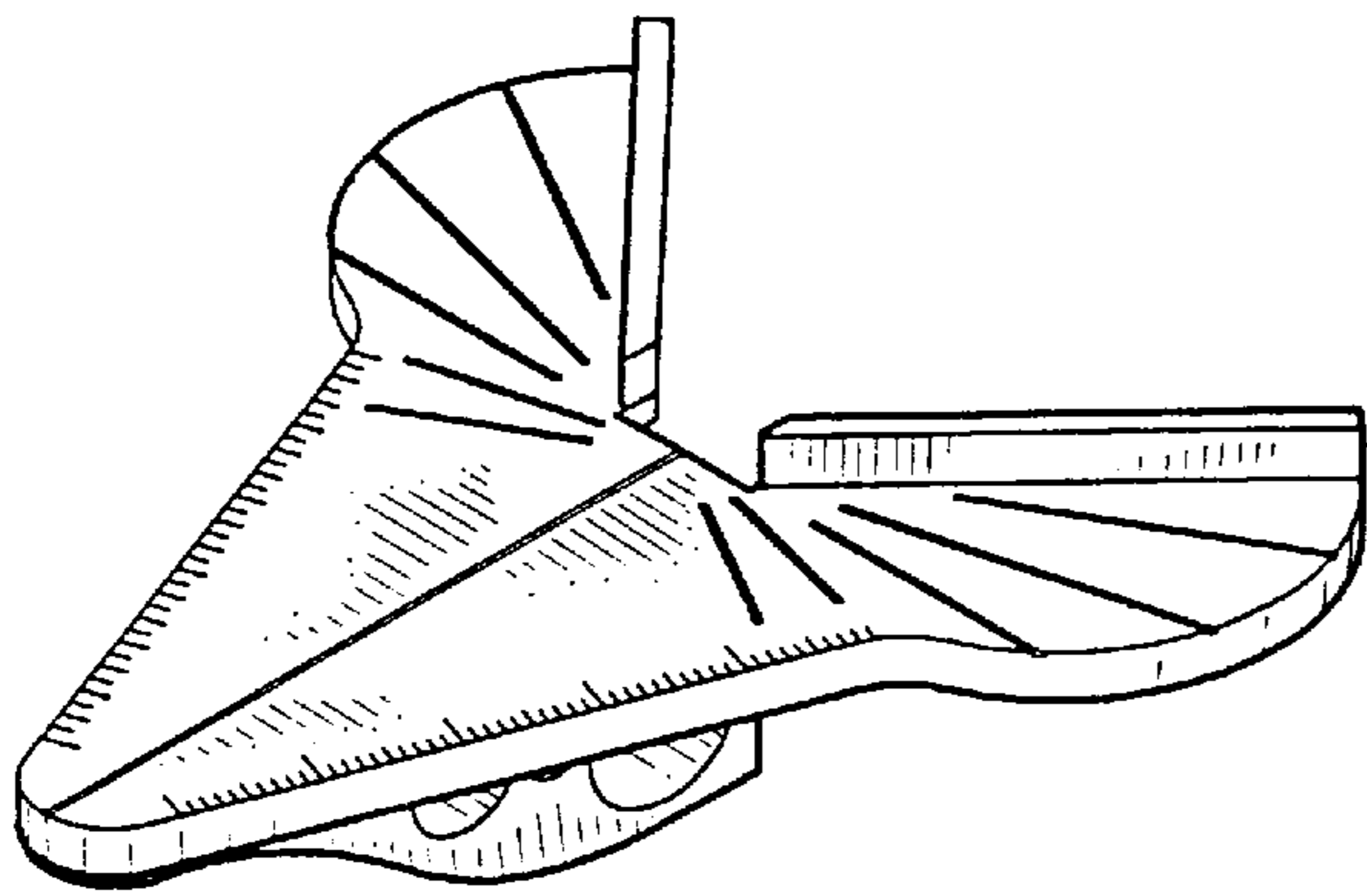


FIG. 1

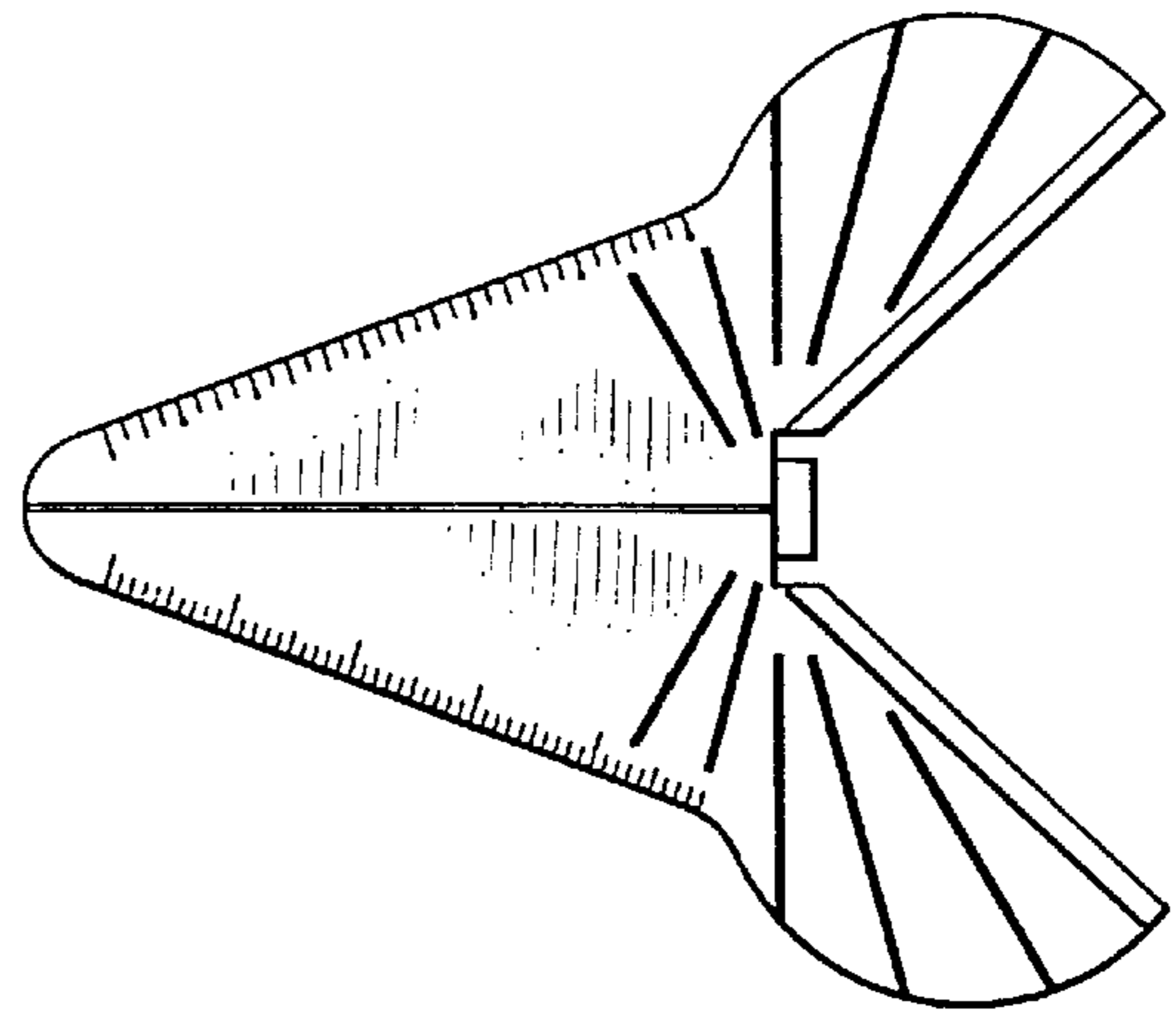


FIG. 4

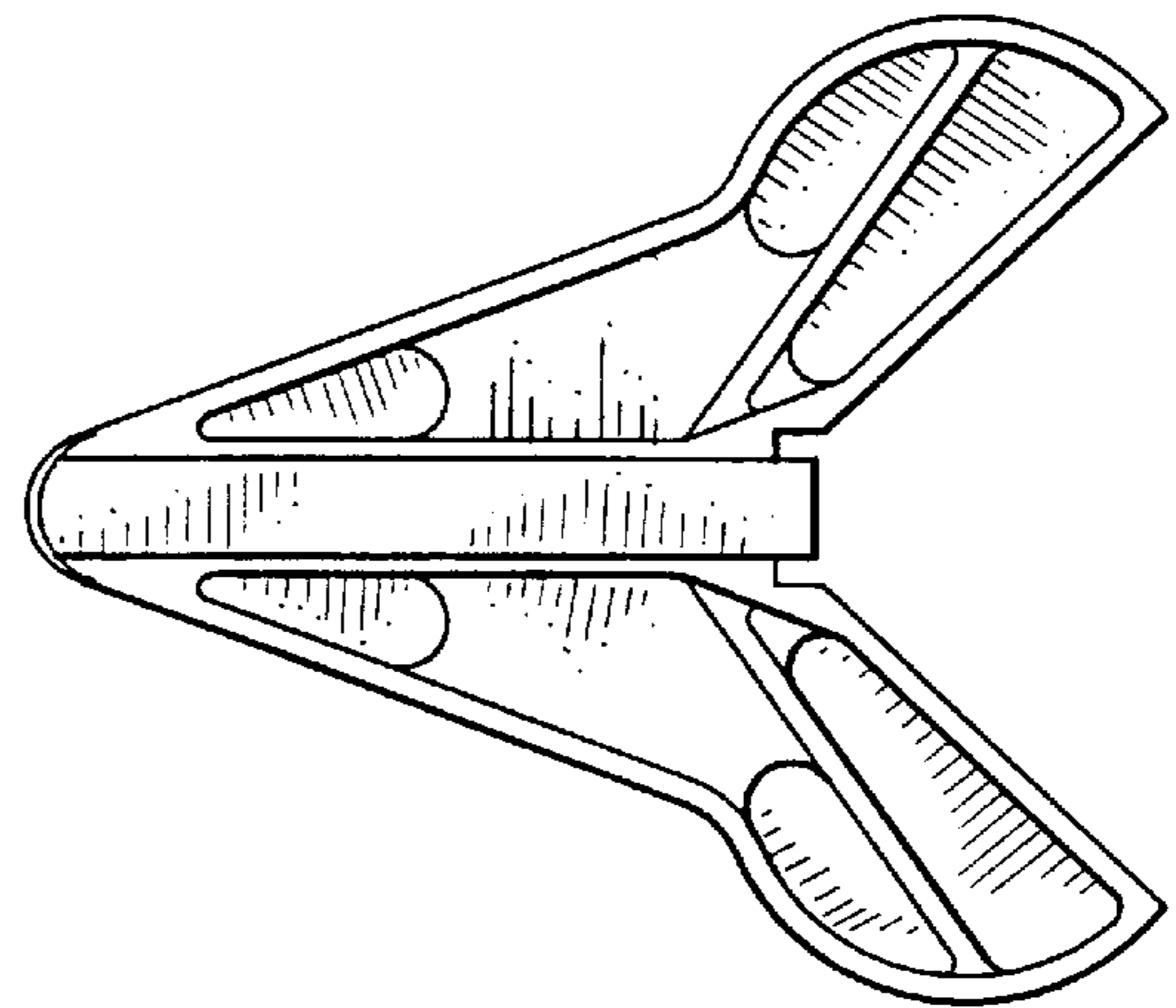


FIG. 5

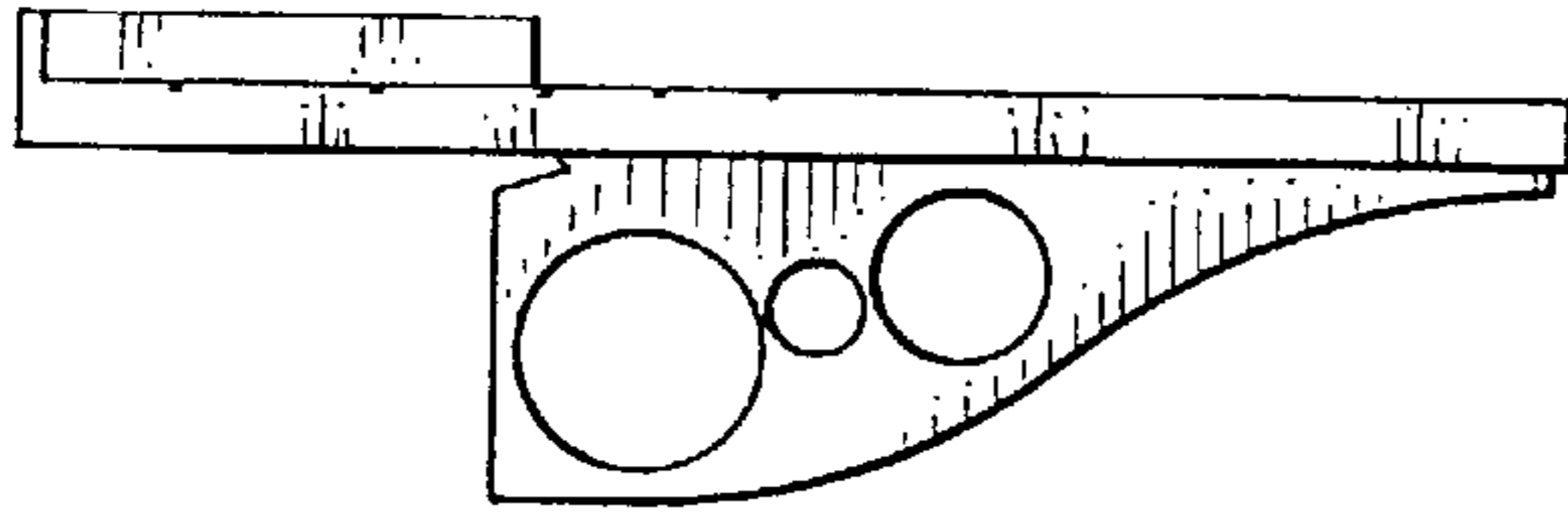


FIG. 3

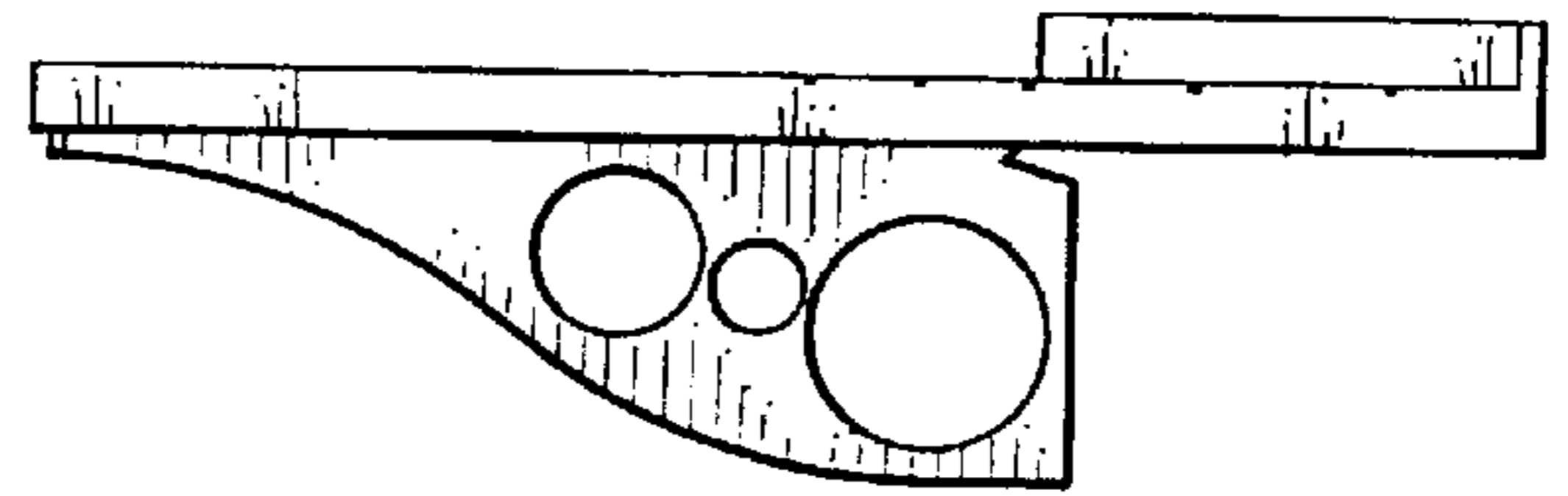


FIG. 2

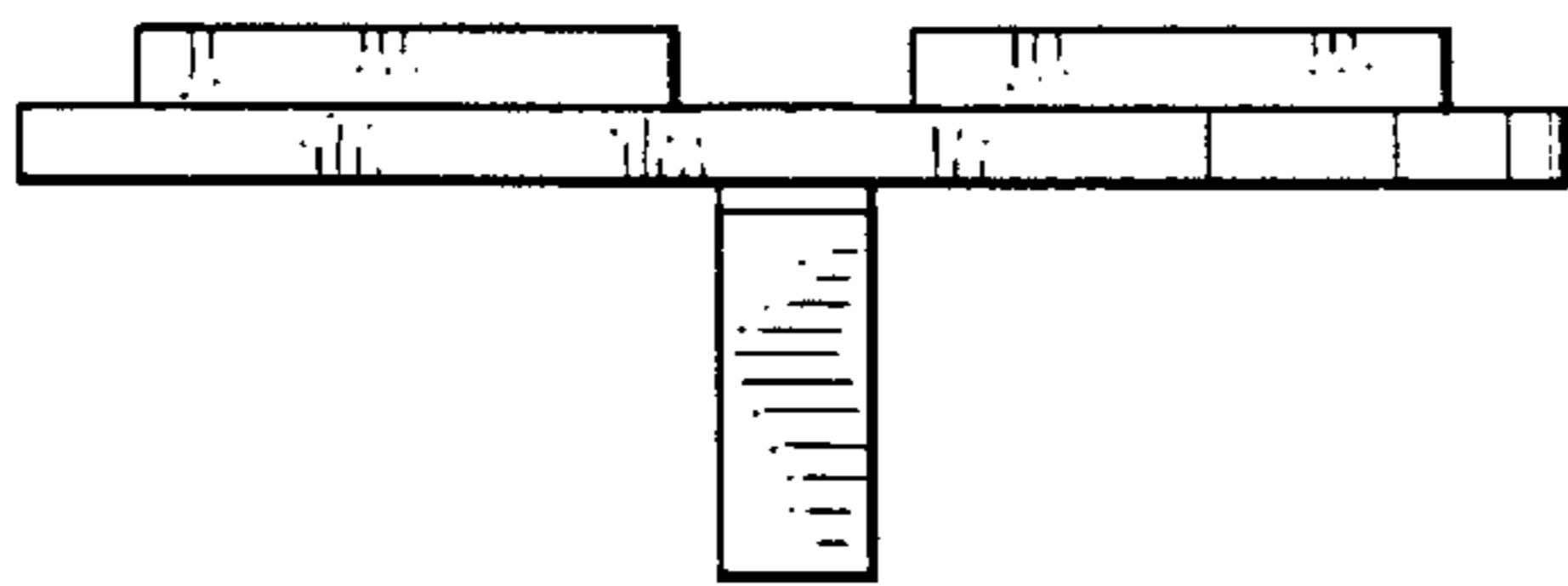


FIG. 6

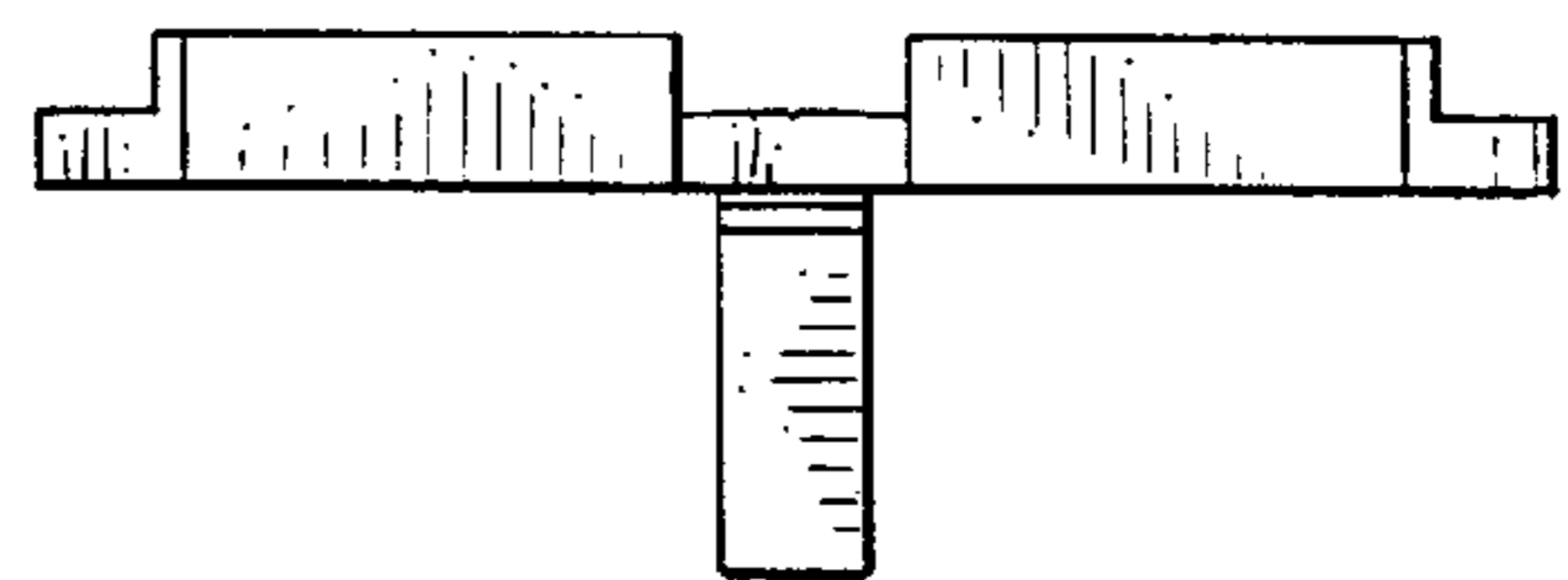


FIG. 7

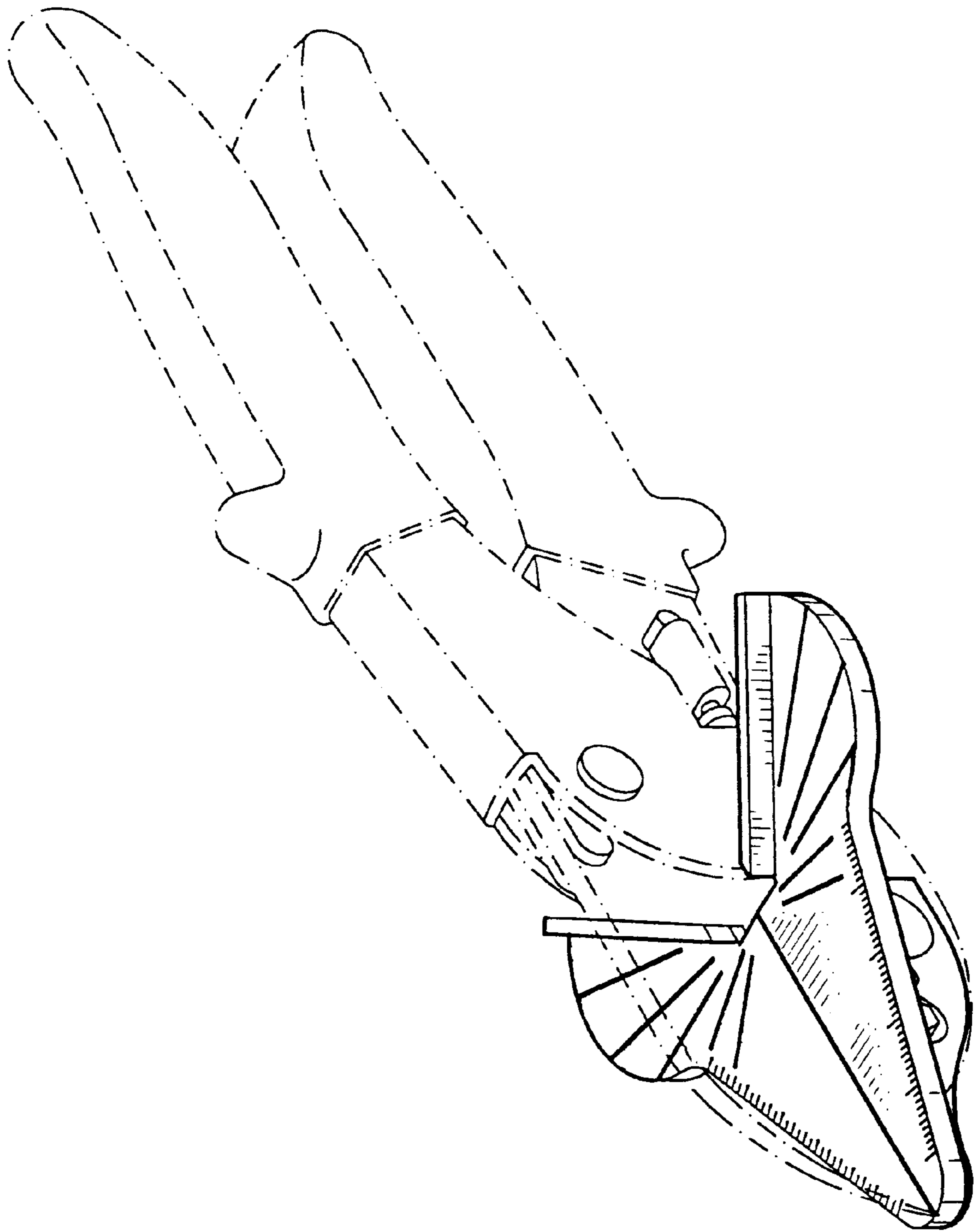


FIG. 8