



US00D426442S

# United States Patent [19] Long

[11] **Patent Number: Des. 426,442**  
[45] **Date of Patent: \*\* Jun. 13, 2000**

[54] **CHUCK**

5,501,473 3/1996 Barton et al. .... 279/62

[75] Inventor: **Charles K. Long**, Seneca, S.C.

### FOREIGN PATENT DOCUMENTS

[73] Assignee: **Power Tool Holders Incorporated**,  
Wilmington, Del.

2606691 11/1986 France .  
595750 1/1989 Japan .

[\*\*] Term: **14 Years**

### OTHER PUBLICATIONS

[21] Appl. No.: **29/077,101**

Sweden #95-0739, published Sep. 13, 1995.  
The following Jacobs® Manufacturing Company drawings:  
96-030413 dated Aug. 9, 1990, 96-030748 dated Nov. 13,  
1991, 96-030752 dated Nov. 13, 1991, 96-030775 dated  
Jan. 6, 1992, 96-p0372 dated Nov. 17, 1992, 96-031040  
dated Jan. 14, 1993, 96-031110 dated Jul. 2, 1993,  
96-031214 dated Aug. 27, 1993, 96-031215 dated Aug. 27,  
1993, 96-031073 dated Apr. 8, 1994, 96-031284 dated Apr.  
11, 1994, 96-031334 dated Jun. 27, 1994, 96-030848 dated  
Jul. 15, 1994, 96-031224 dated Jul. 26, 1994, 96-031225  
dated Aug. 2, 1994, 96-031089 dated Aug. 4, 1994,  
96-030748 dated Aug. 8, 1994, 96-031349 dated Aug. 23,  
1994, 96-031349 dated Aug. 23, 1994, 96-031318 dated  
Sep. 1, 1994, 96-031346 dated Oct. 27, 1994.

[22] Filed: **Sep. 19, 1997**

### Related U.S. Application Data

[63] Continuation of application No. 29/055,024, May 28, 1996,  
abandoned.

[51] **LOC (7) Cl.** ..... **08-02**

[52] **U.S. Cl.** ..... **D8/70; D15/140**

[58] **Field of Search** ..... **D8/70; D15/140;**  
279/60-64, 157, 901, 902

*Primary Examiner*—Antoine Duval Davis  
*Attorney, Agent, or Firm*—Dority & Manning, P.A.

### [56] References Cited

#### U.S. PATENT DOCUMENTS

- D. 323,961 2/1992 Fushiya et al. .
- D. 356,932 4/1995 Owens et al. .
- D. 359,217 6/1995 Owens et al. .
- D. 359,432 6/1995 Owens .
- D. 361,076 8/1995 Shadeck et al. .
- D. 363,295 10/1995 Barton ..... D15/140
- D. 366,052 1/1996 Barton et al. .
- 3,807,745 4/1974 Bent .
- 3,810,642 5/1974 Derbyshire .
- 4,097,054 6/1978 Derbyshire .
- 4,154,450 5/1979 Derbyshire .
- 5,031,925 7/1991 Tatsu et al. .
- 5,145,192 9/1992 Röhm .
- 5,193,824 3/1993 Salpaka .
- 5,215,317 6/1993 Jordan et al. .
- 5,286,041 2/1994 Röhm .
- 5,348,317 9/1994 Steadings et al. .
- 5,348,318 9/1994 Steadings et al. .... 279/62
- 5,390,940 2/1995 Morlino et al. .
- 5,411,275 5/1995 Huff et al. .... 279/62
- 5,465,983 11/1995 Owens et al. .

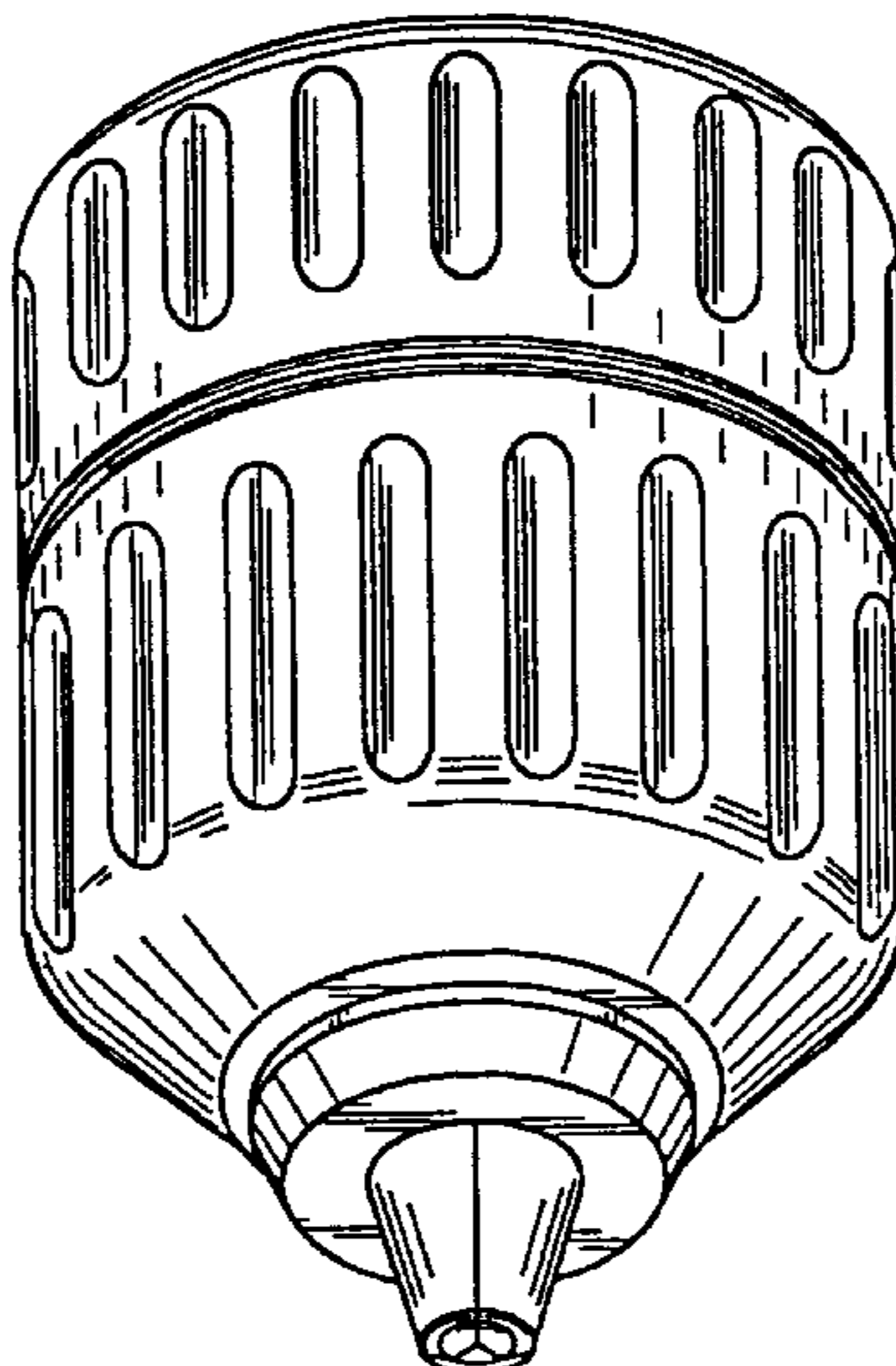
### [57] CLAIM

The ornamental design of a chuck, as shown and described.

### DESCRIPTION

FIG. 1 is a perspective view of a chuck in accordance with the present invention.  
FIG. 2 is a front view of a chuck in accordance with the present invention.  
FIG. 3 is a rear view of a chuck in accordance with the present invention.  
FIG. 4 is a bottom view of a chuck in accordance with the present invention.  
FIG. 5 is a top view of a chuck in accordance with the present invention; and,  
FIG. 6 is a side view of a chuck in accordance with the present invention.

**1 Claim, 2 Drawing Sheets**



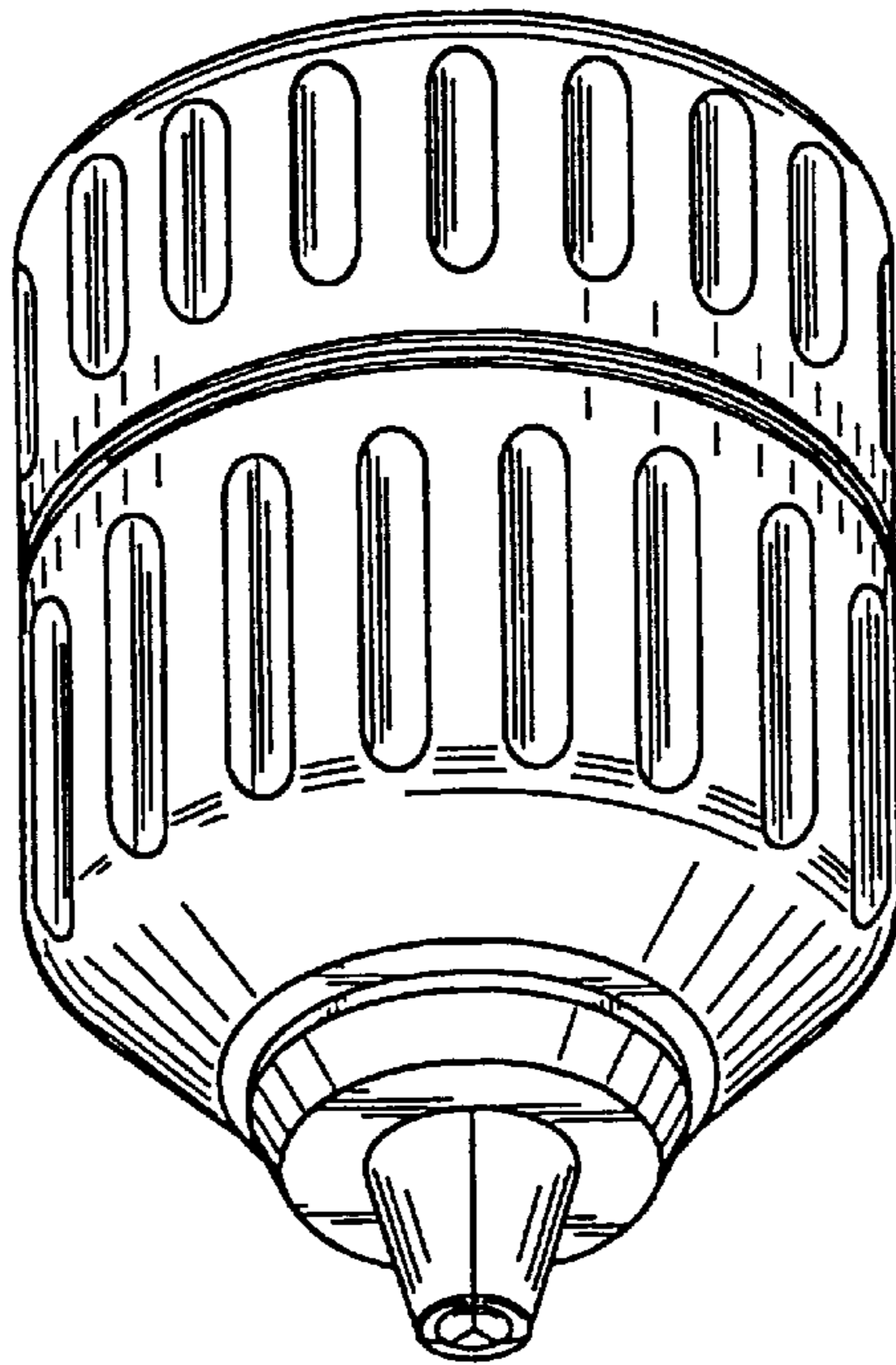


FIG. 1

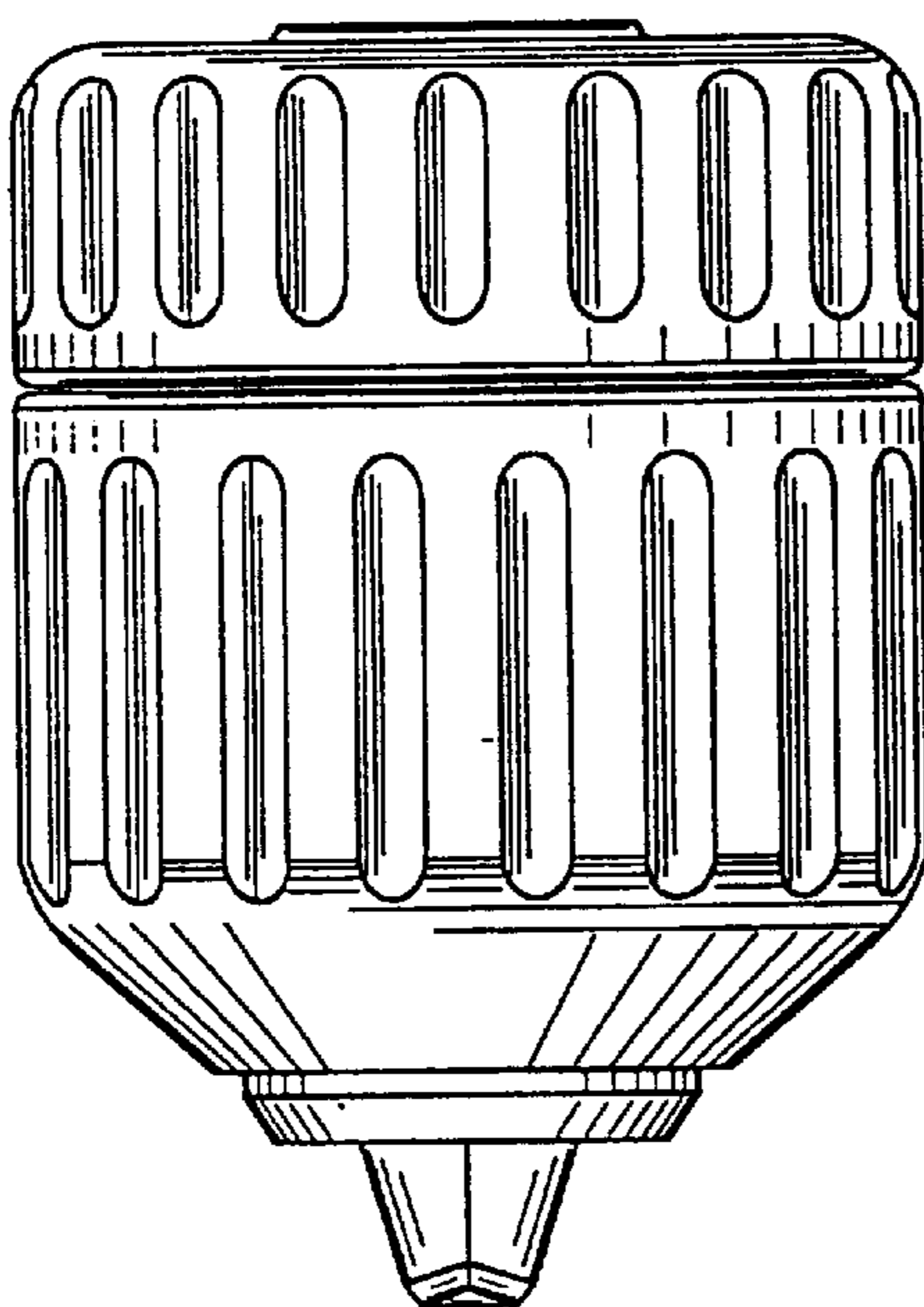


FIG. 2

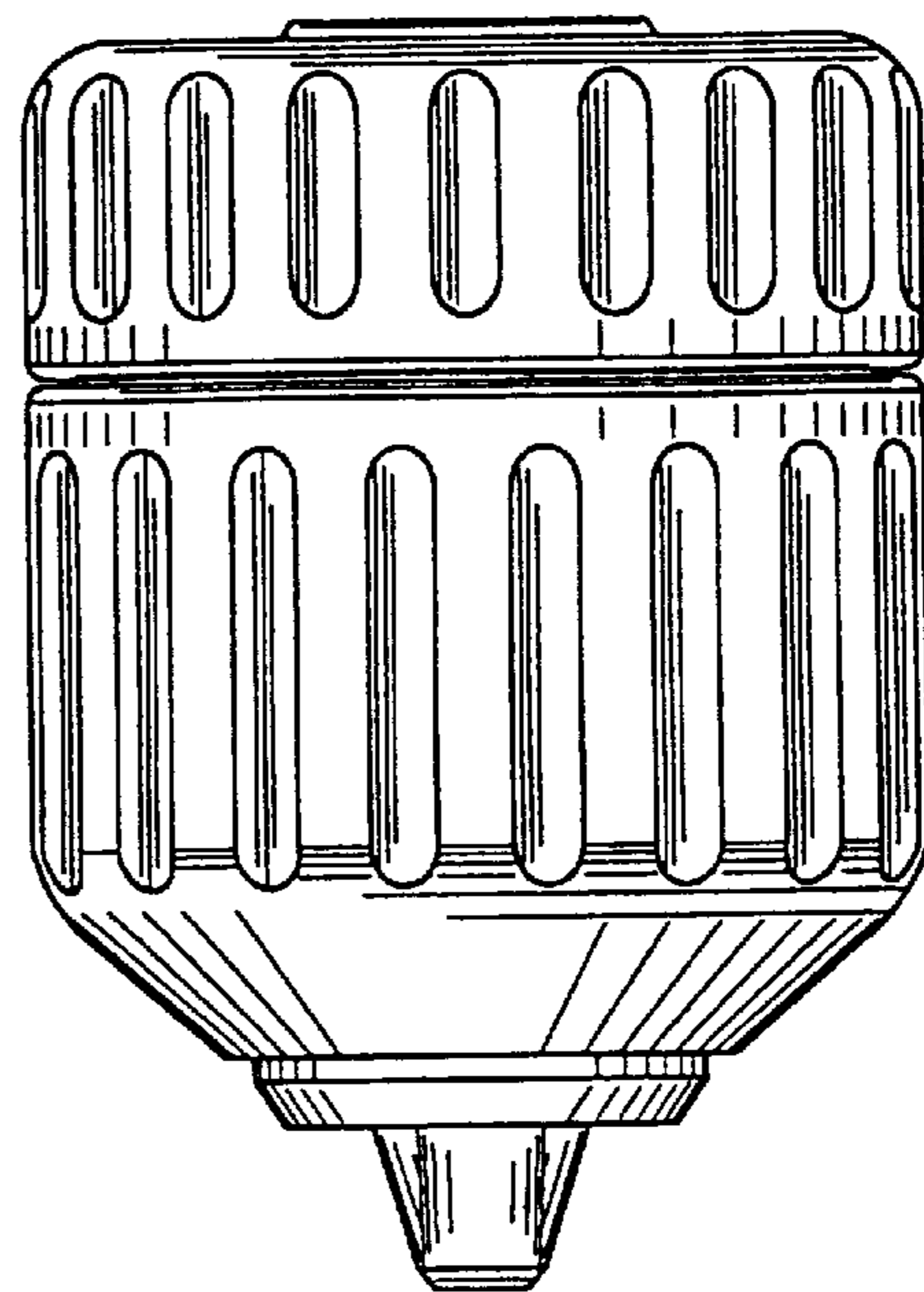


FIG. 3

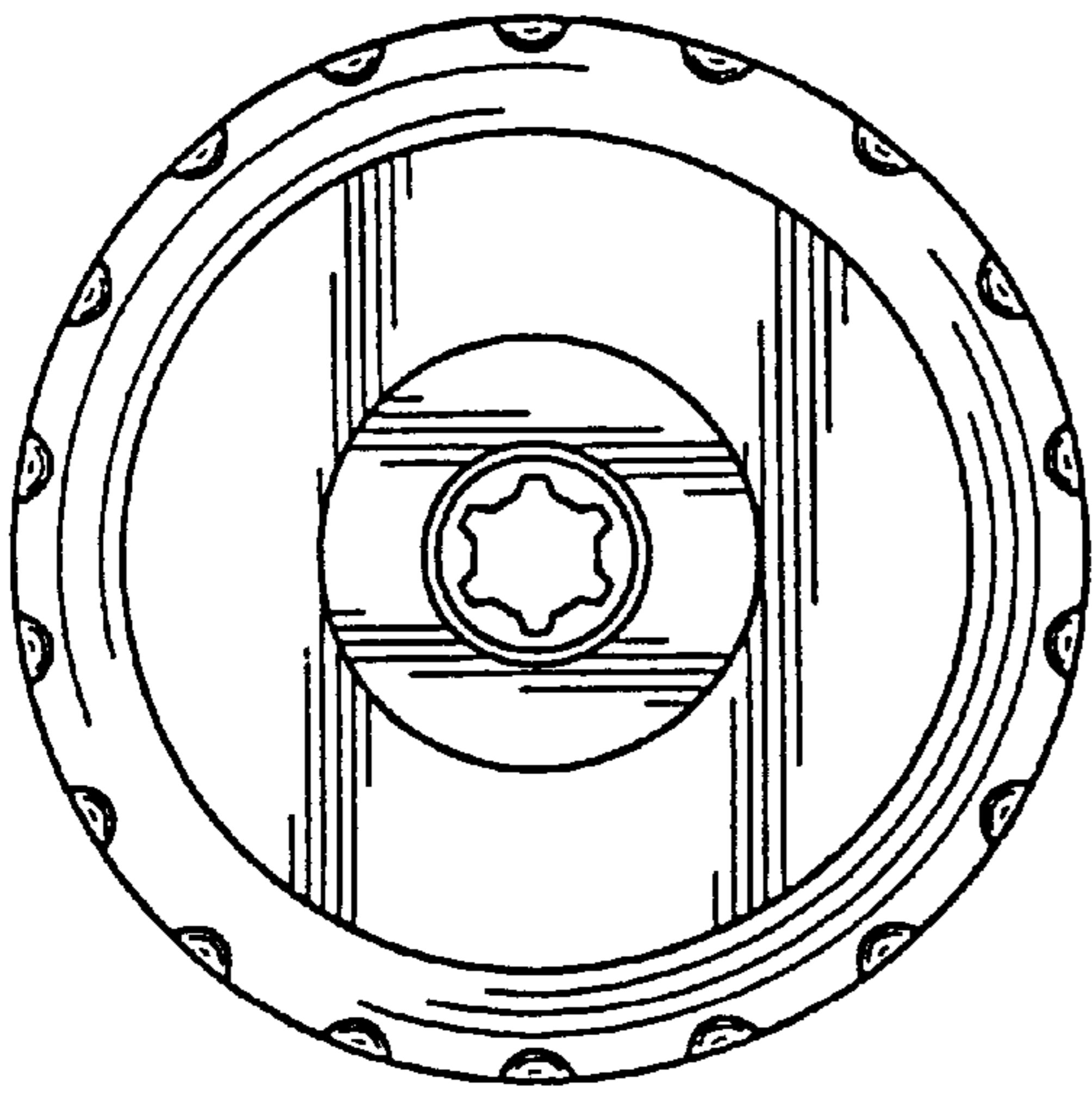


FIG. 4

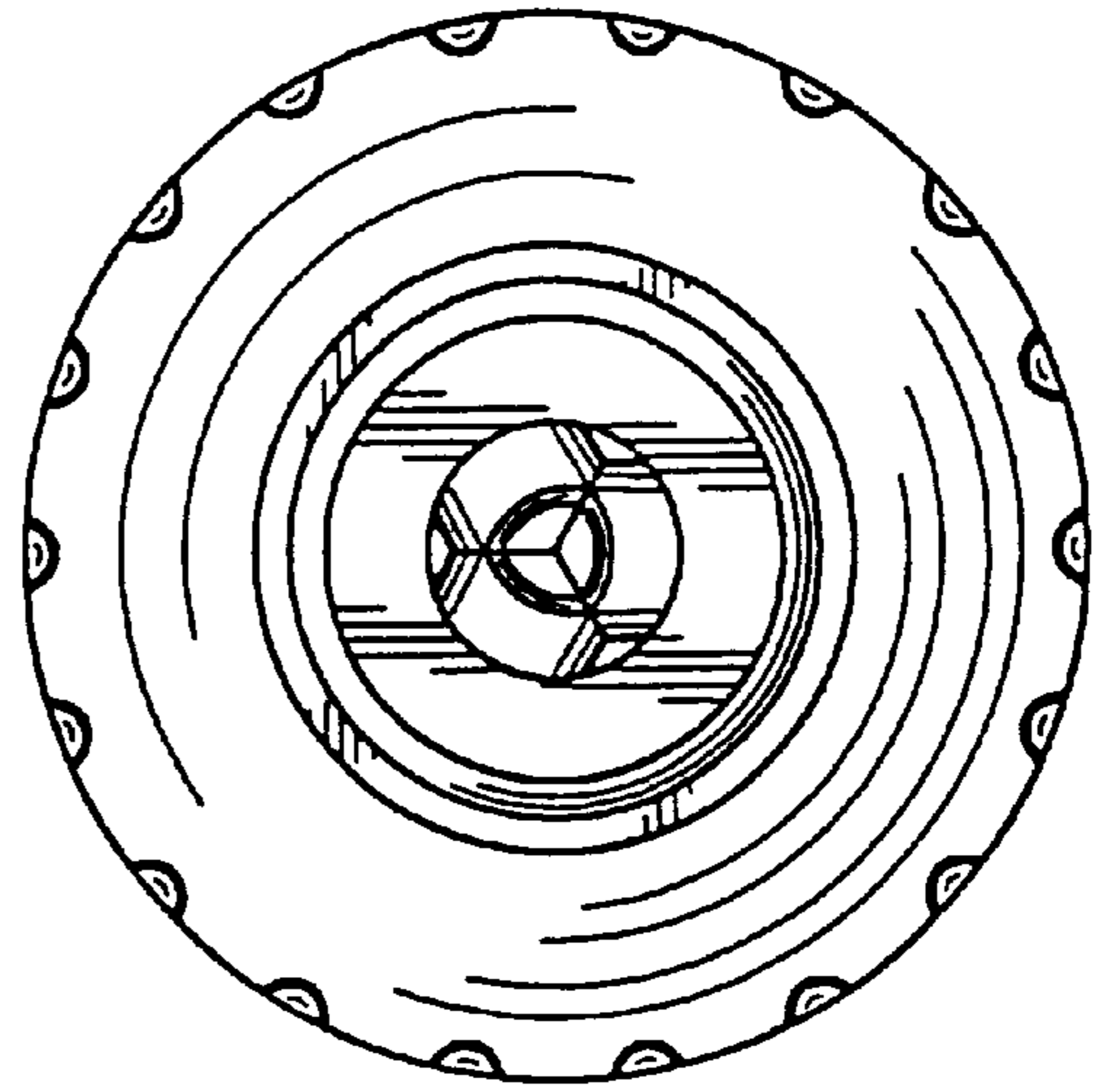


FIG. 5

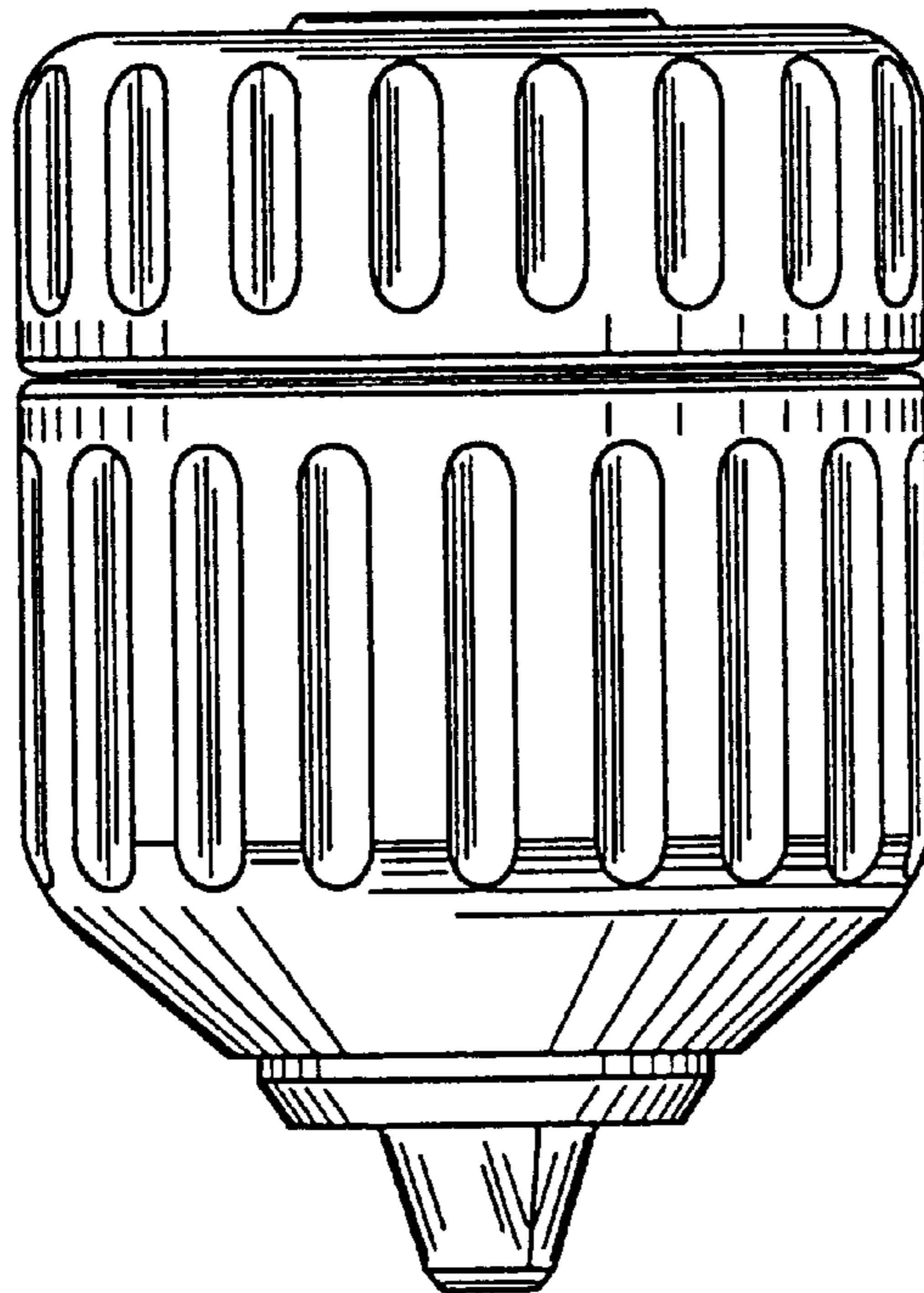


FIG. 6