



US00D426436S

United States Patent [19] Ng

[11] **Patent Number: Des. 426,436**

[45] **Date of Patent: ** Jun. 13, 2000**

[54] **FOLDING SHOVEL**

3,401,971 9/1968 Cronquist 294/53.5

[75] Inventor: **Kelvin Ng**, Woodbury, N.Y.

Primary Examiner—Holly Baynham
Attorney, Agent, or Firm—Kennedy Covington Lobdell & Hickman, LLP

[73] Assignee: **Cypress Enterprises, Inc.**, Woodbury, N.Y.

[**] Term: **14 Years**

[57] **CLAIM**
The ornamental design for folding shovel, as shown and described.

[21] Appl. No.: **29/086,239**

[22] Filed: **Apr. 7, 1998**

DESCRIPTION

[51] **LOC (7) Cl.** **08-01**

[52] **U.S. Cl.** **D8/10**

[58] **Field of Search** D8/10; 294/49, 294/54.5, 55, 53.5

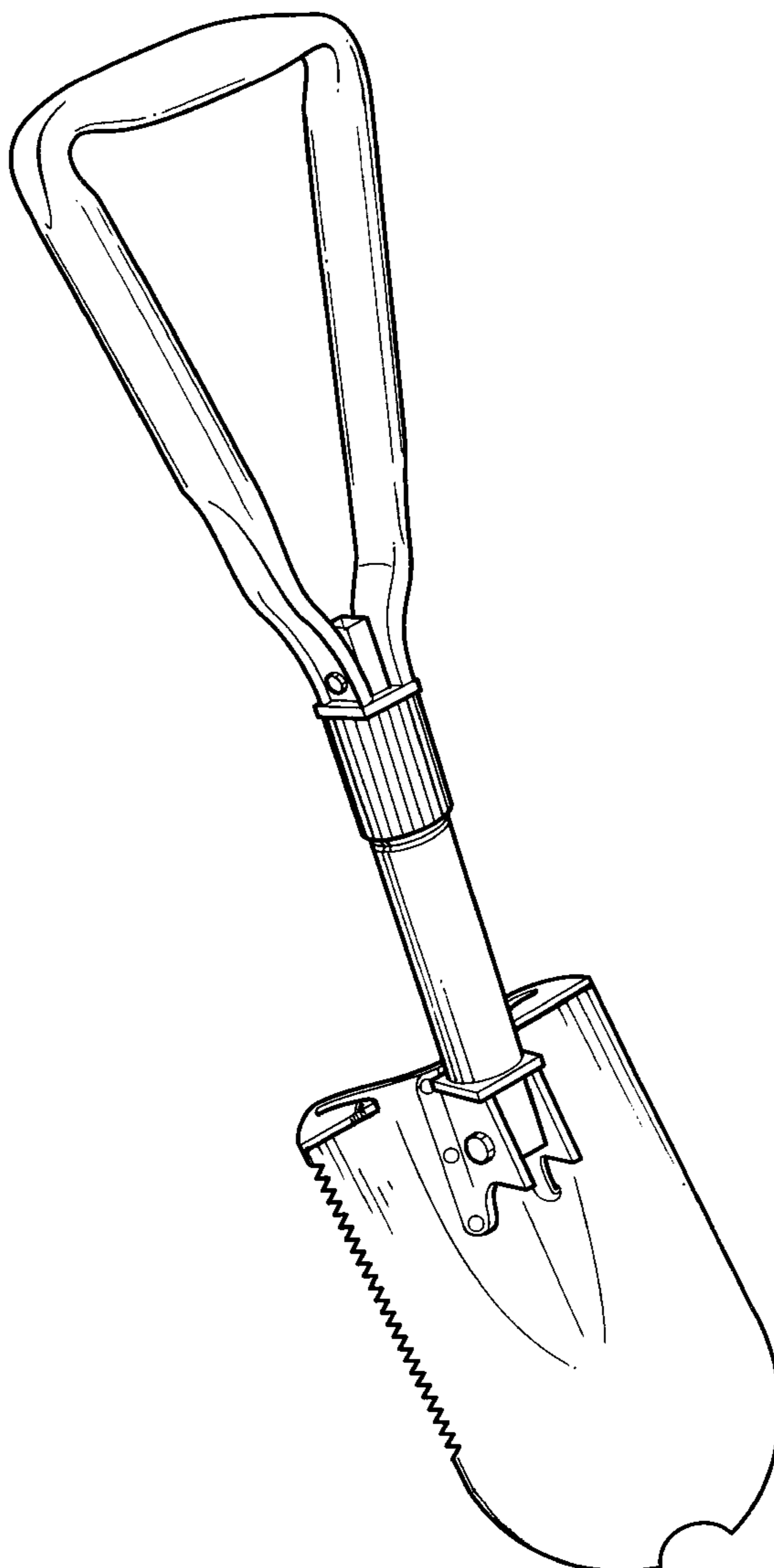
FIG. 1 is a front perspective view of a folding shovel, showing my new design;
FIG. 2 is a rear perspective view thereof;
FIG. 3 is a front elevational view thereof;
FIG. 4 is a rear elevational view thereof;
FIG. 5 is a left side elevational view thereof;
FIG. 6 is a right side elevational view thereof;
FIG. 7 is an enlarged top end elevational view thereof; and,
FIG. 8 is a bottom end elevational view thereof.

[56] **References Cited**

U.S. PATENT DOCUMENTS

- D. 276,405 11/1984 Jackson D8/10
- D. 395,211 11/1995 Linden et al. D8/10

1 Claim, 5 Drawing Sheets



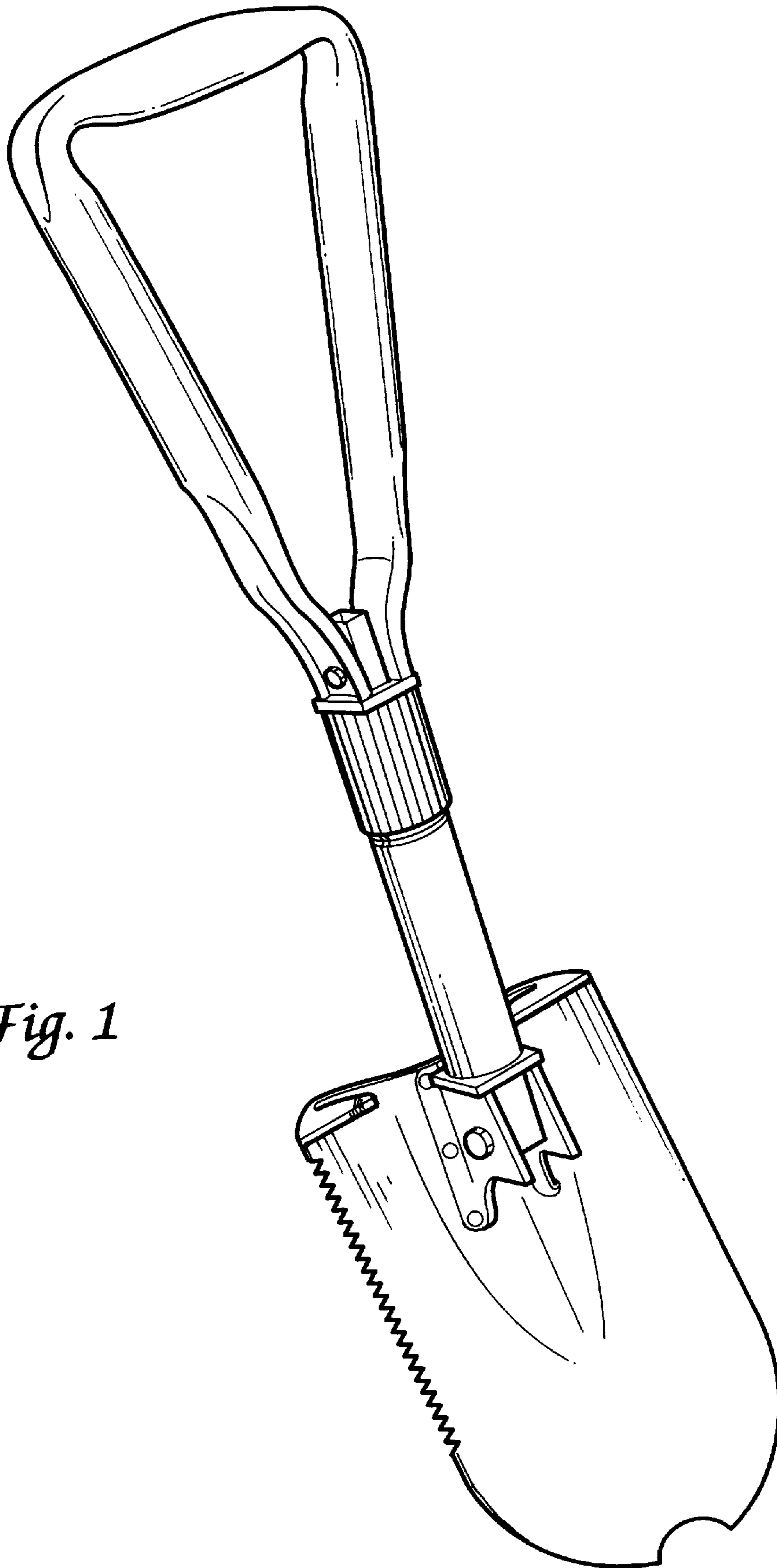
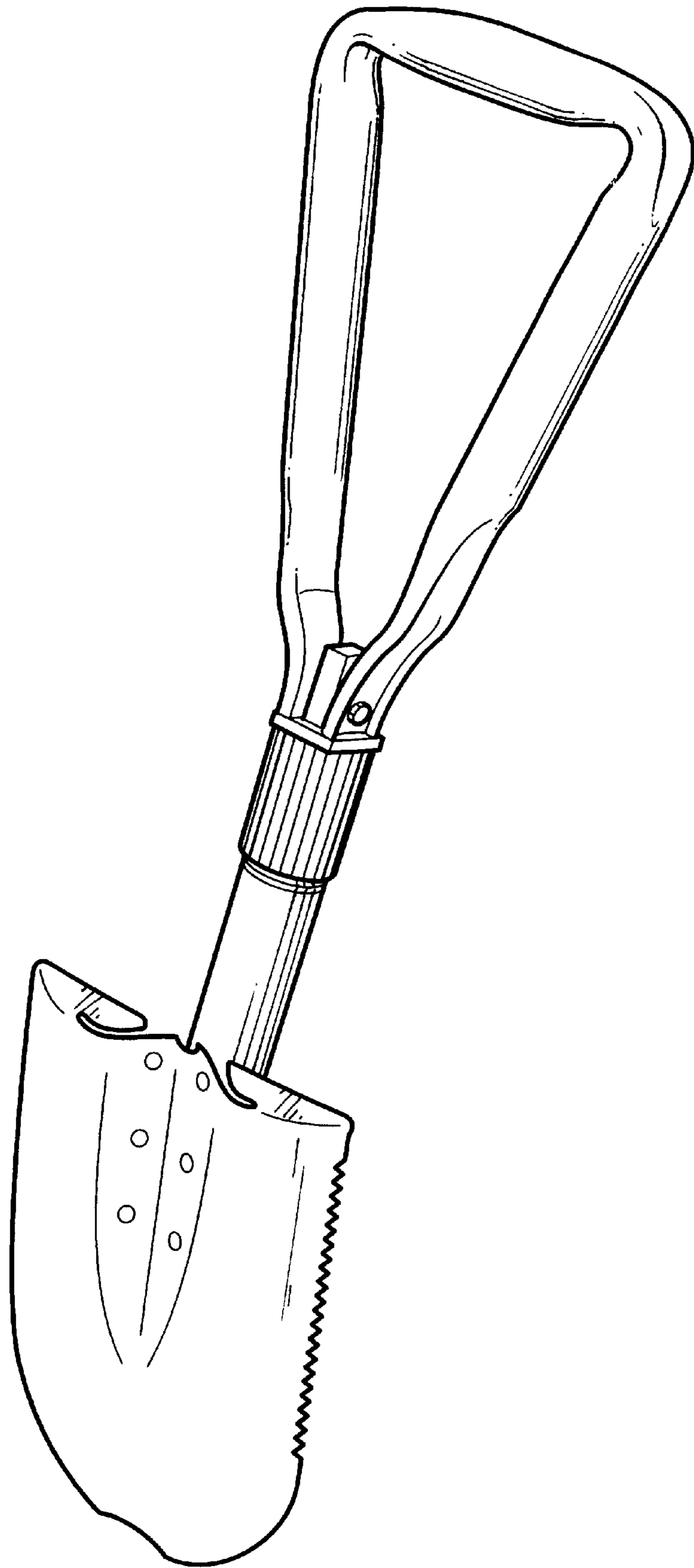


Fig. 1

Fig. 2



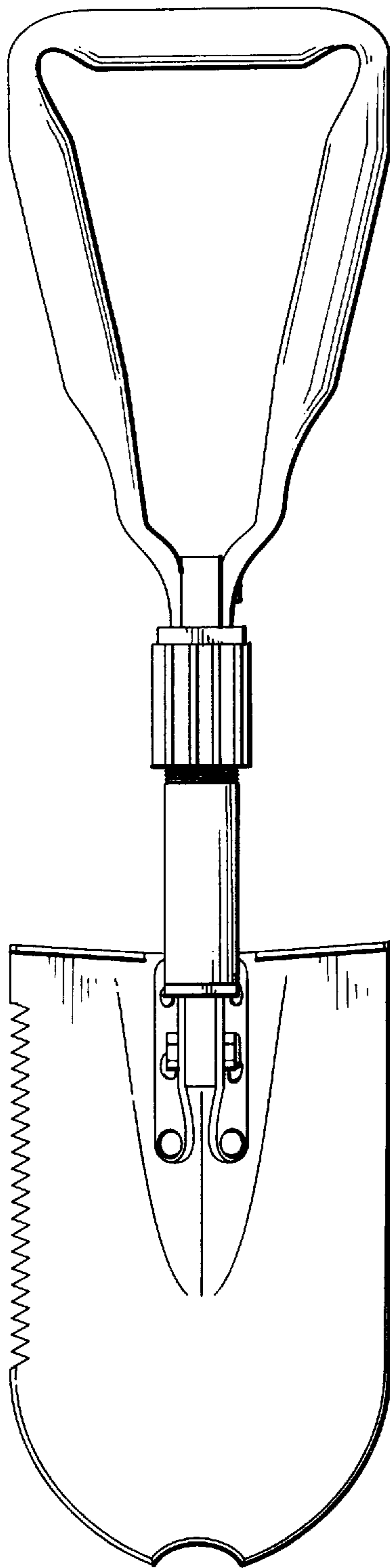


Fig. 3

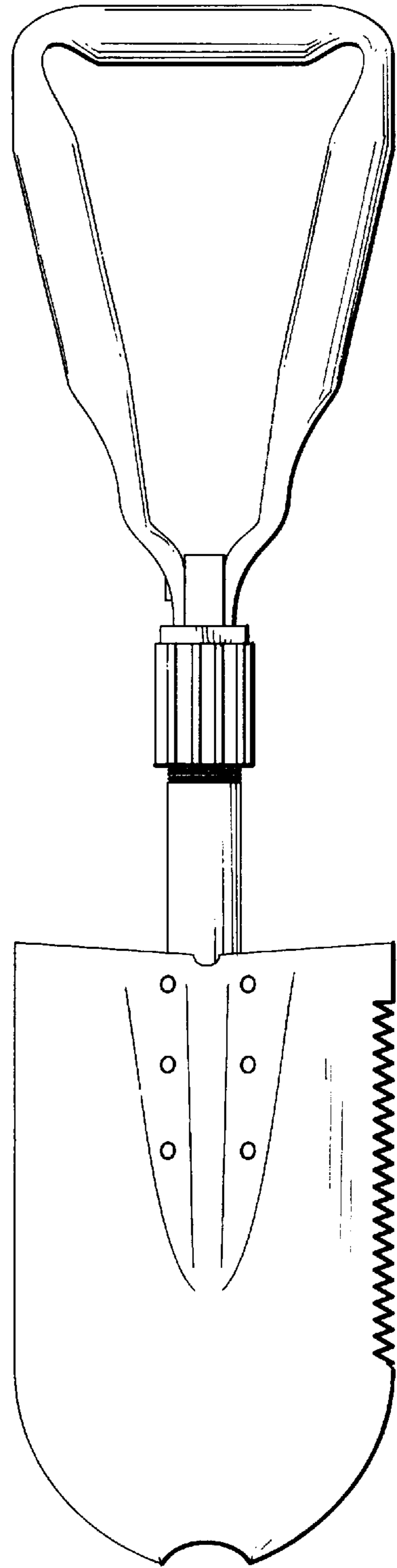


Fig. 4

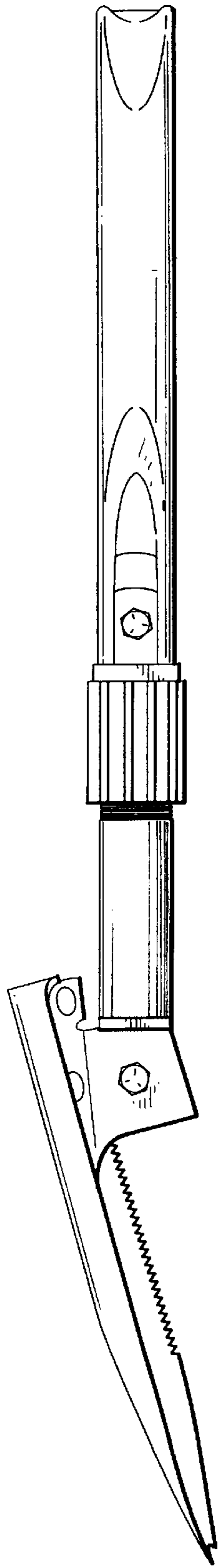


Fig. 5

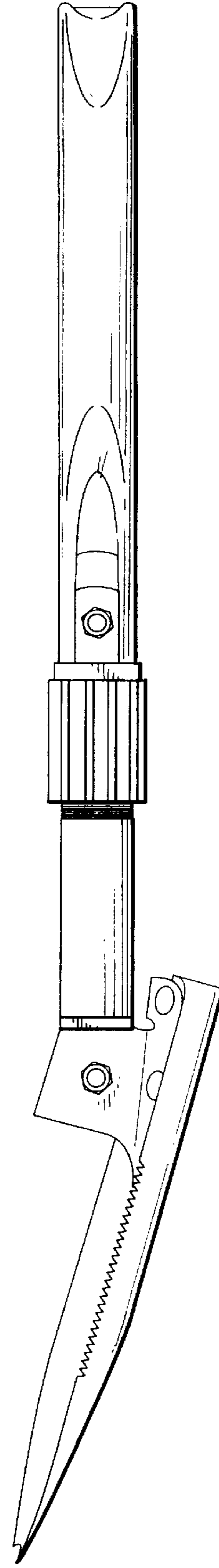


Fig. 6

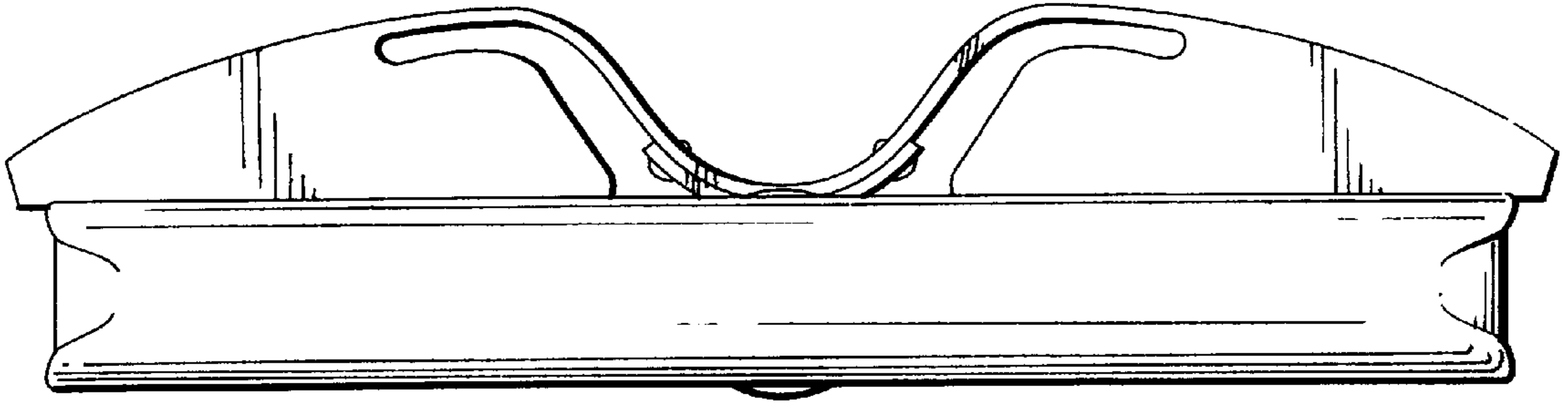


Fig. 7

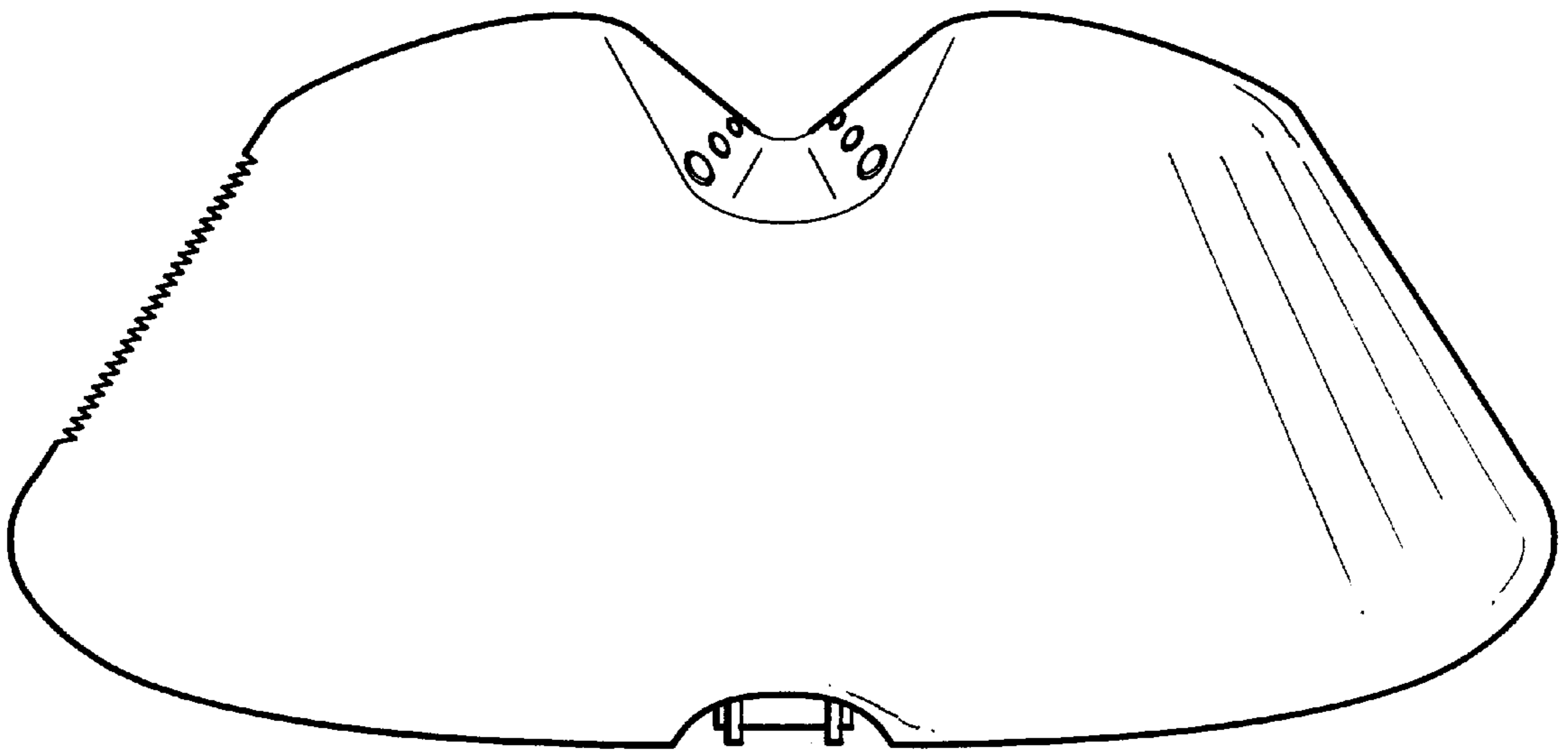


Fig. 8