



US00D426431S

United States Patent [19] Kuroski

[11] **Patent Number: Des. 426,431**

[45] **Date of Patent: ** Jun. 13, 2000**

[54] **GOLF CART BEVERAGE HOLDER**

[76] Inventor: **Gary Wayne Kuroski**, 3 Glen Dr.,
Lugoff, S.C. 29078

[**] Term: **14 Years**

[21] Appl. No.: **29/103,276**

[22] Filed: **Apr. 12, 1999**

[51] **LOC (7) Cl.** **07-06**

[52] **U.S. Cl.** **D7/701**

[58] **Field of Search** D7/619, 701, 707,
D7/708, 624; D9/341, 347; 224/274; 211/71,
74; 248/311.2, 346.01

[56] **References Cited**

U.S. PATENT DOCUMENTS

- D. 250,243 11/1978 Vigue D9/347 X
- D. 352,213 11/1994 Keven D7/701
- D. 353,082 12/1994 Keven D7/701

- D. 396,133 7/1998 Stein D7/701 X
- D. 397,278 8/1998 Wang D7/701

Primary Examiner—Terry A. Wallace
Attorney, Agent, or Firm—Thomas L. Moses

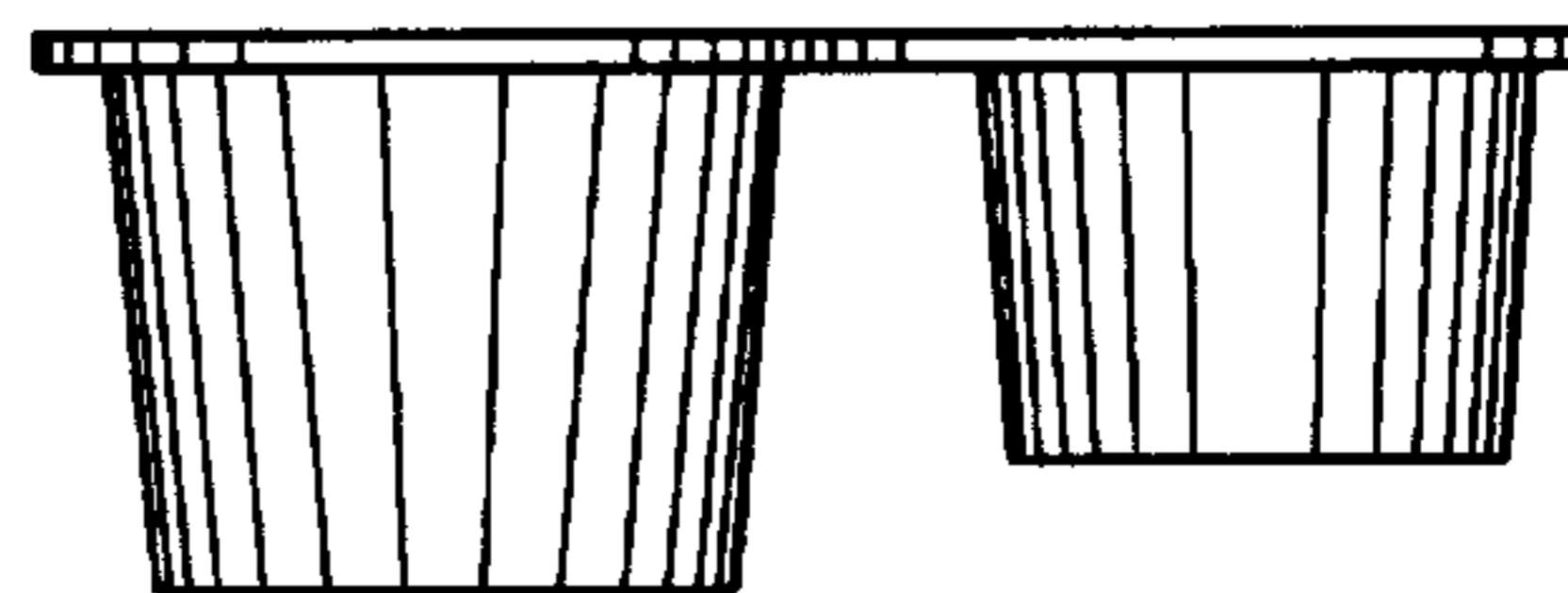
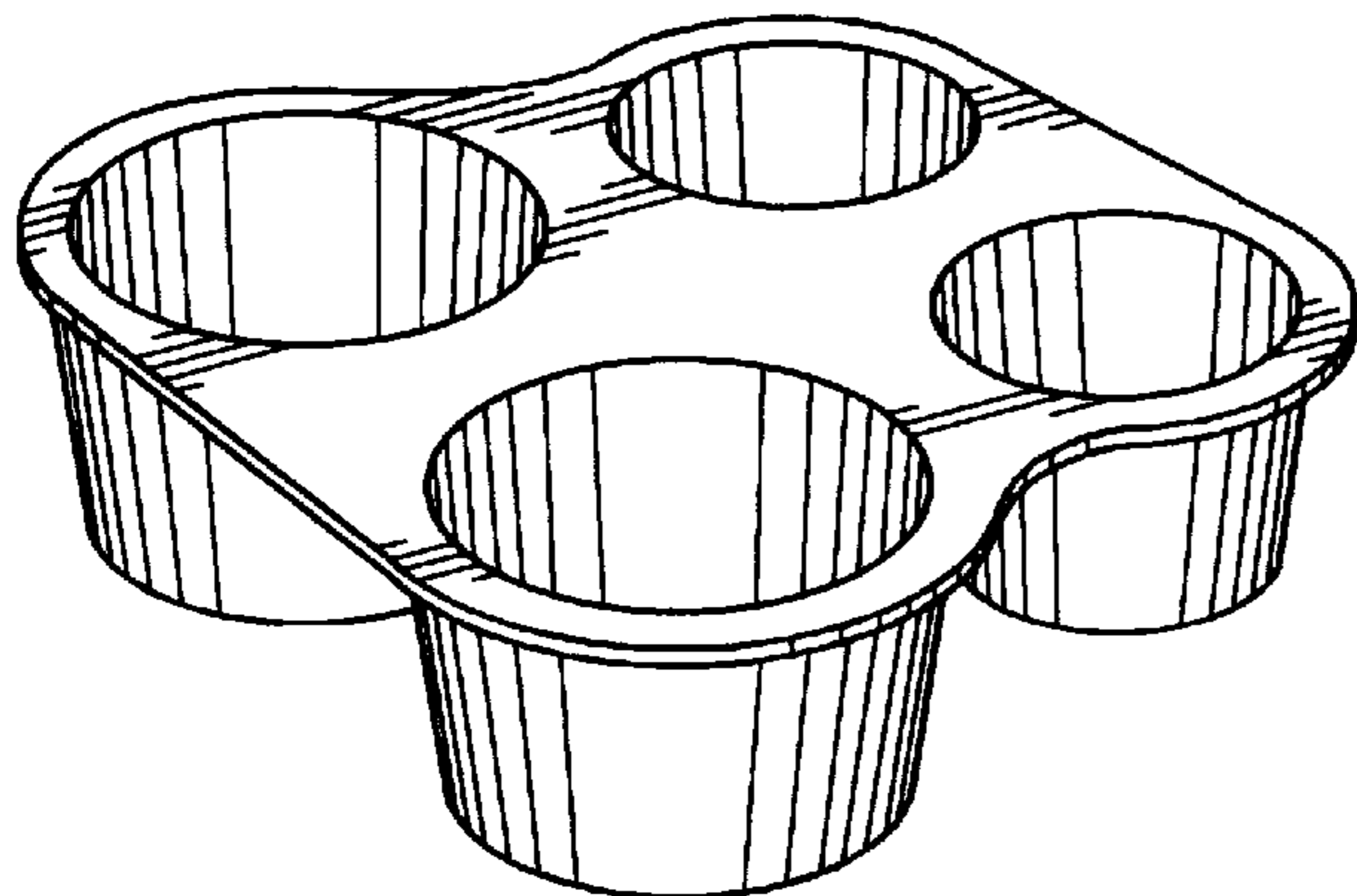
[57] **CLAIM**

The ornamental design for a golf cart beverage holder, as shown and described.

DESCRIPTION

FIG. 1 is a top plan view of golf cart beverage holder showing my new design;
 FIG. 2 is a bottom plan view thereof;
 FIG. 3 is a rear side elevation view thereof;
 FIG. 4 is an inverted rear side elevation view thereof;
 FIG. 5 is a top, front, left side perspective view thereof;
 FIG. 6 is a top, front, right side perspective view thereof;
 FIG. 7 is a right side elevation view thereof; and,
 FIG. 8 is a left side elevation view thereof.

1 Claim, 2 Drawing Sheets



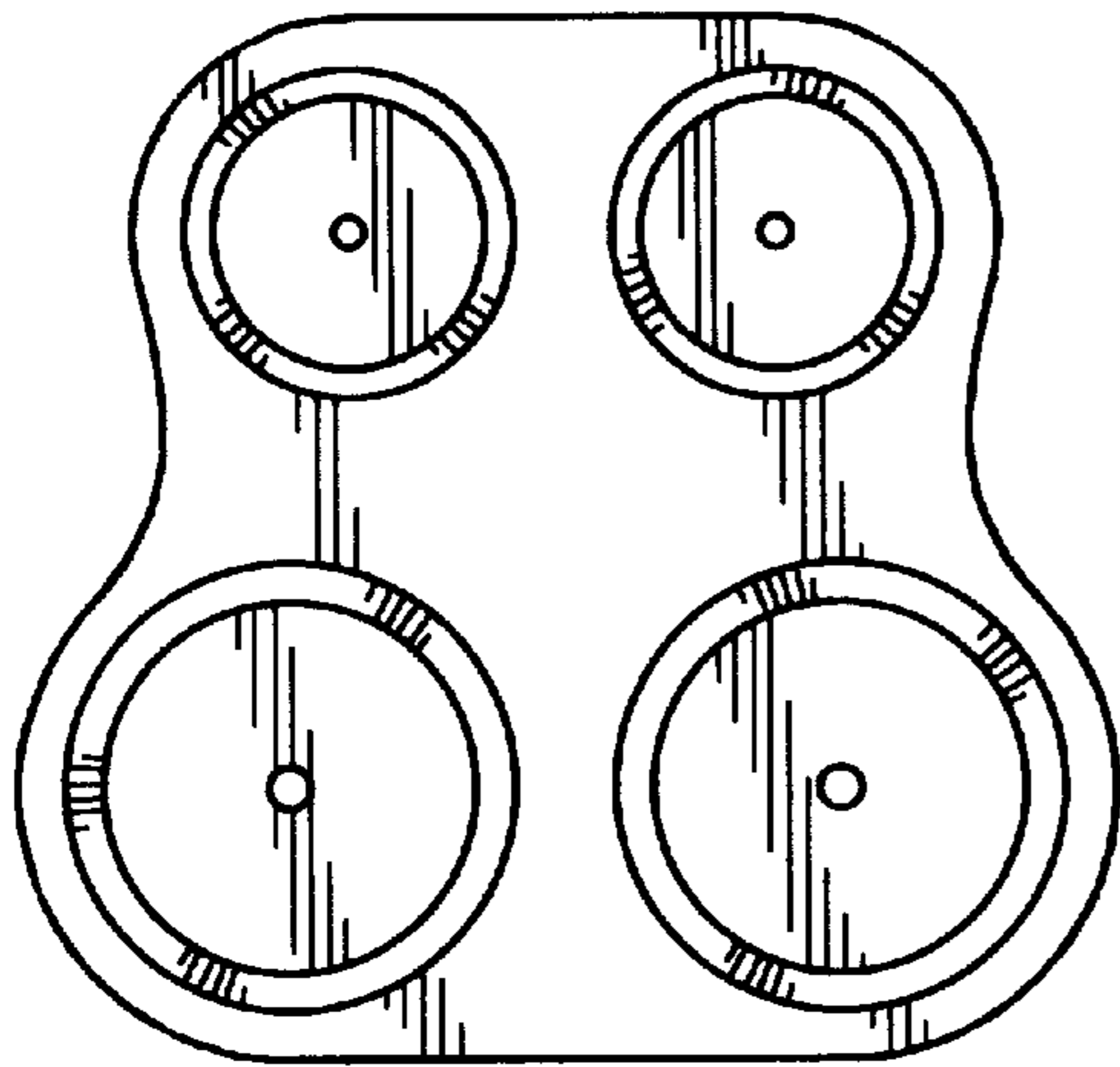


FIG. 1

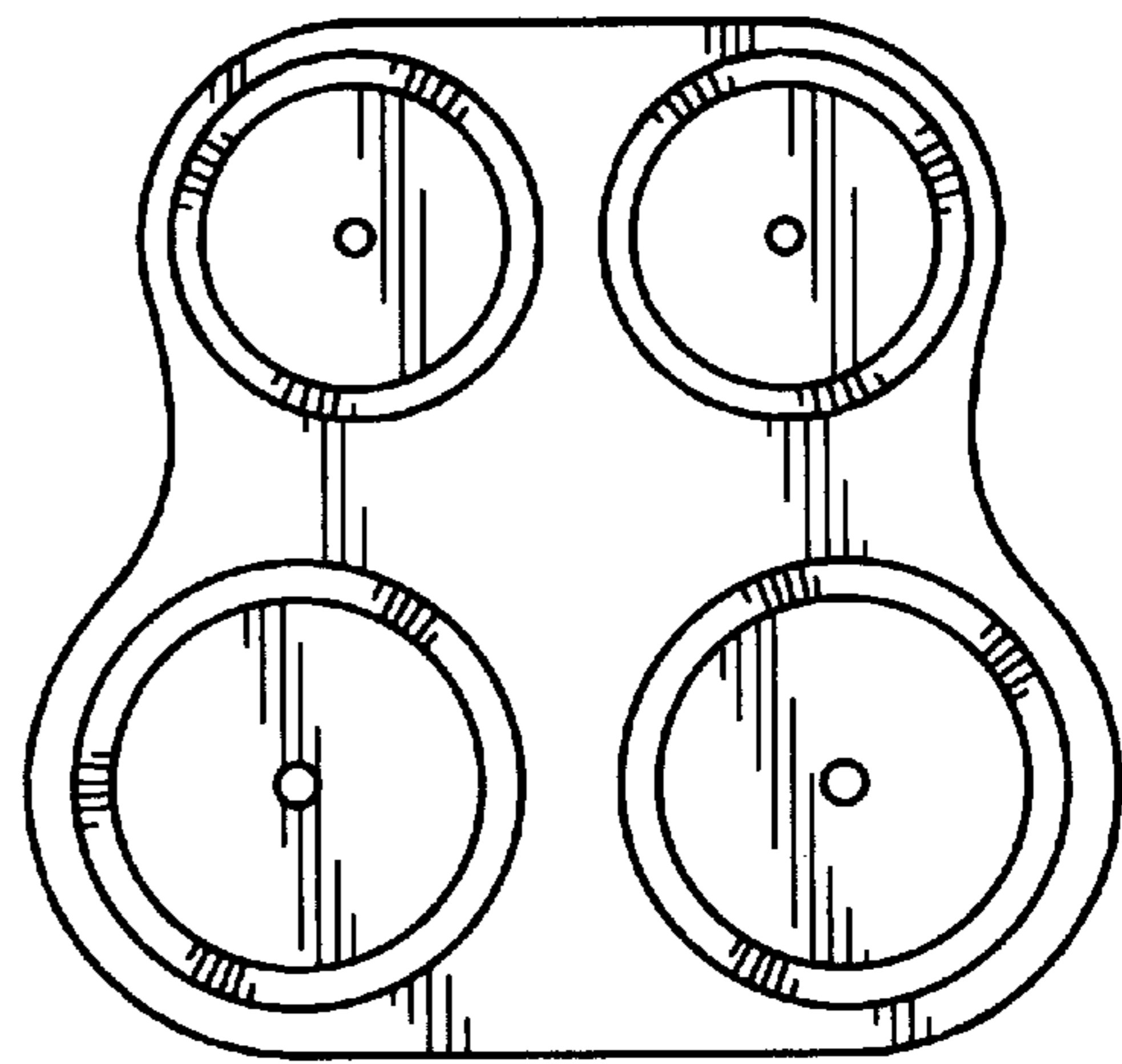


FIG. 2

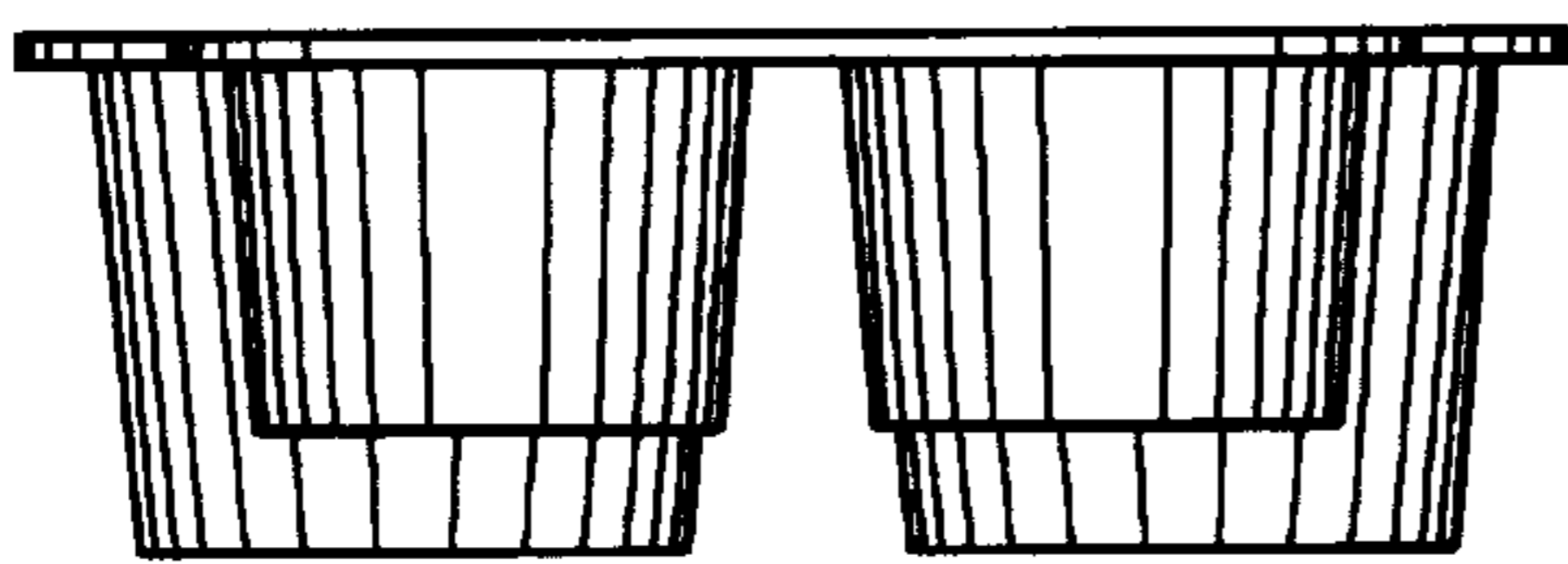


FIG. 3

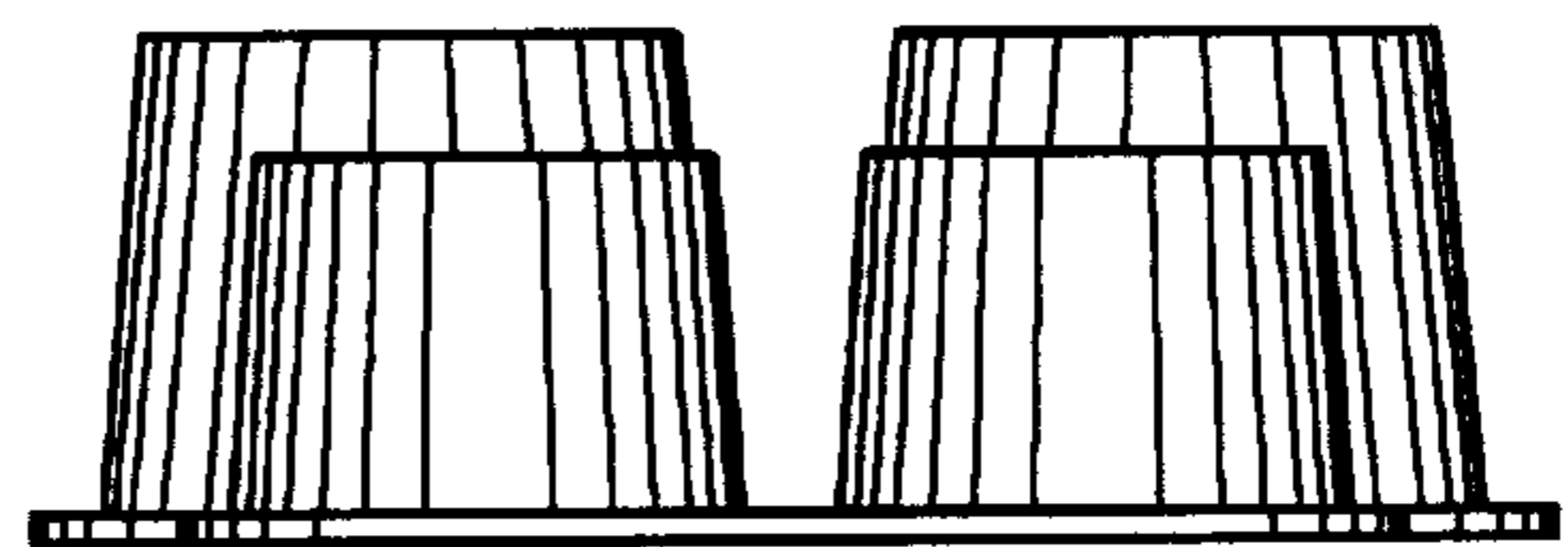


FIG. 4

FIG. 5

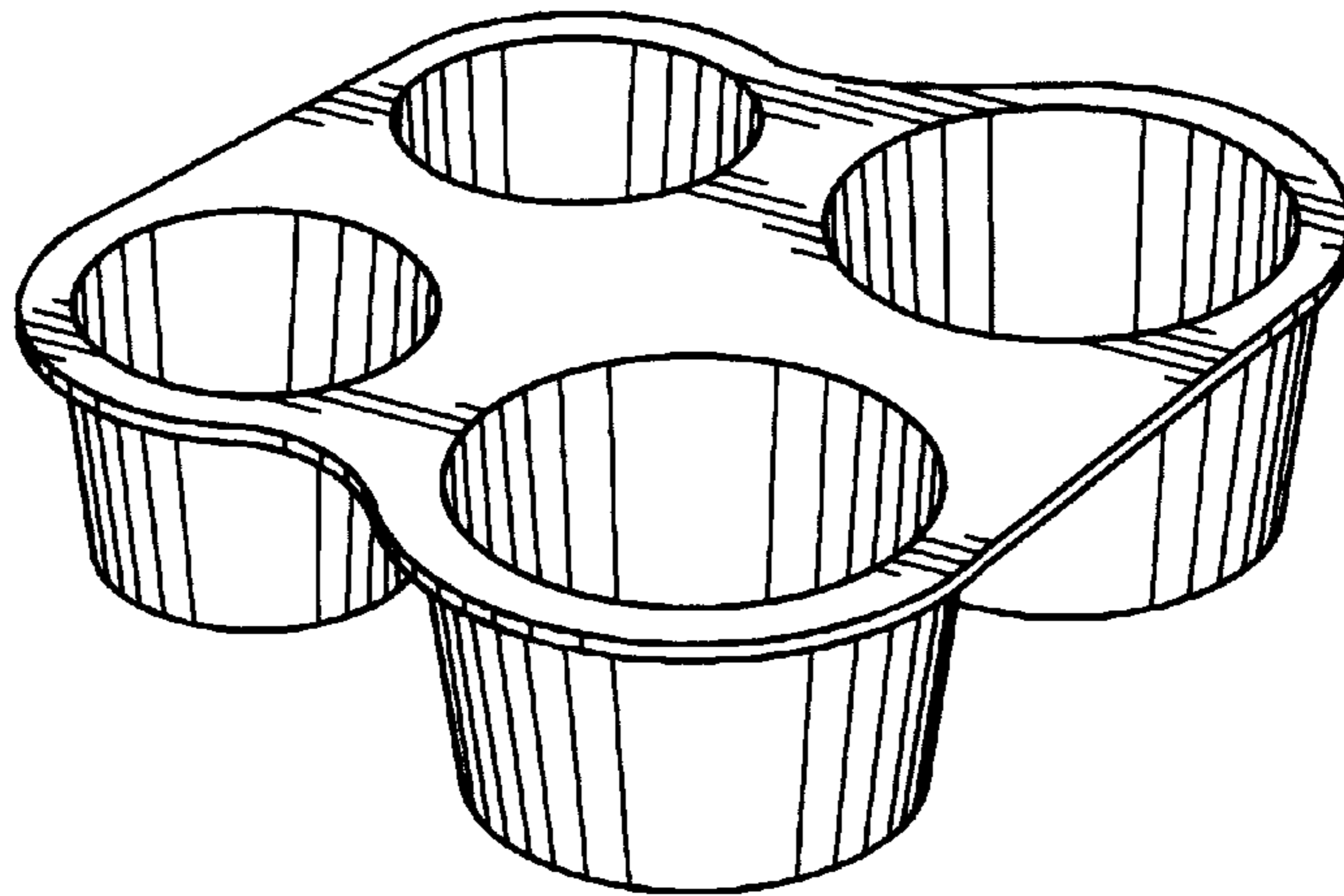


FIG. 6

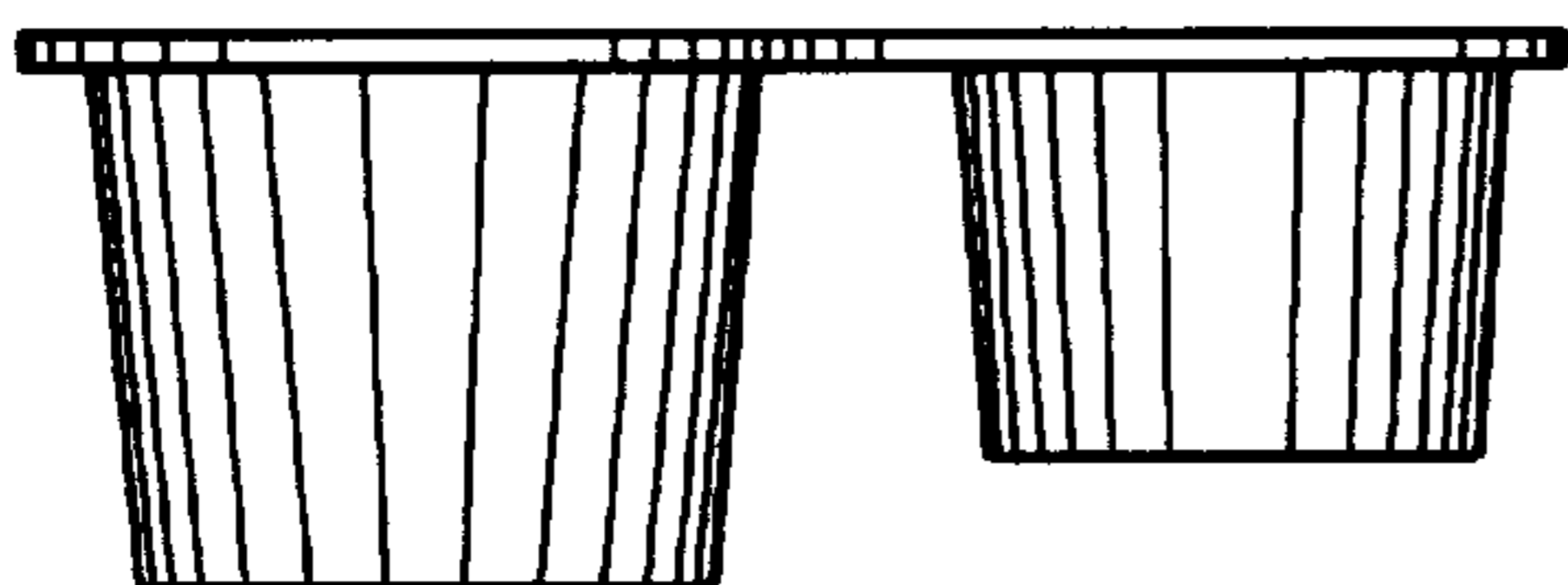
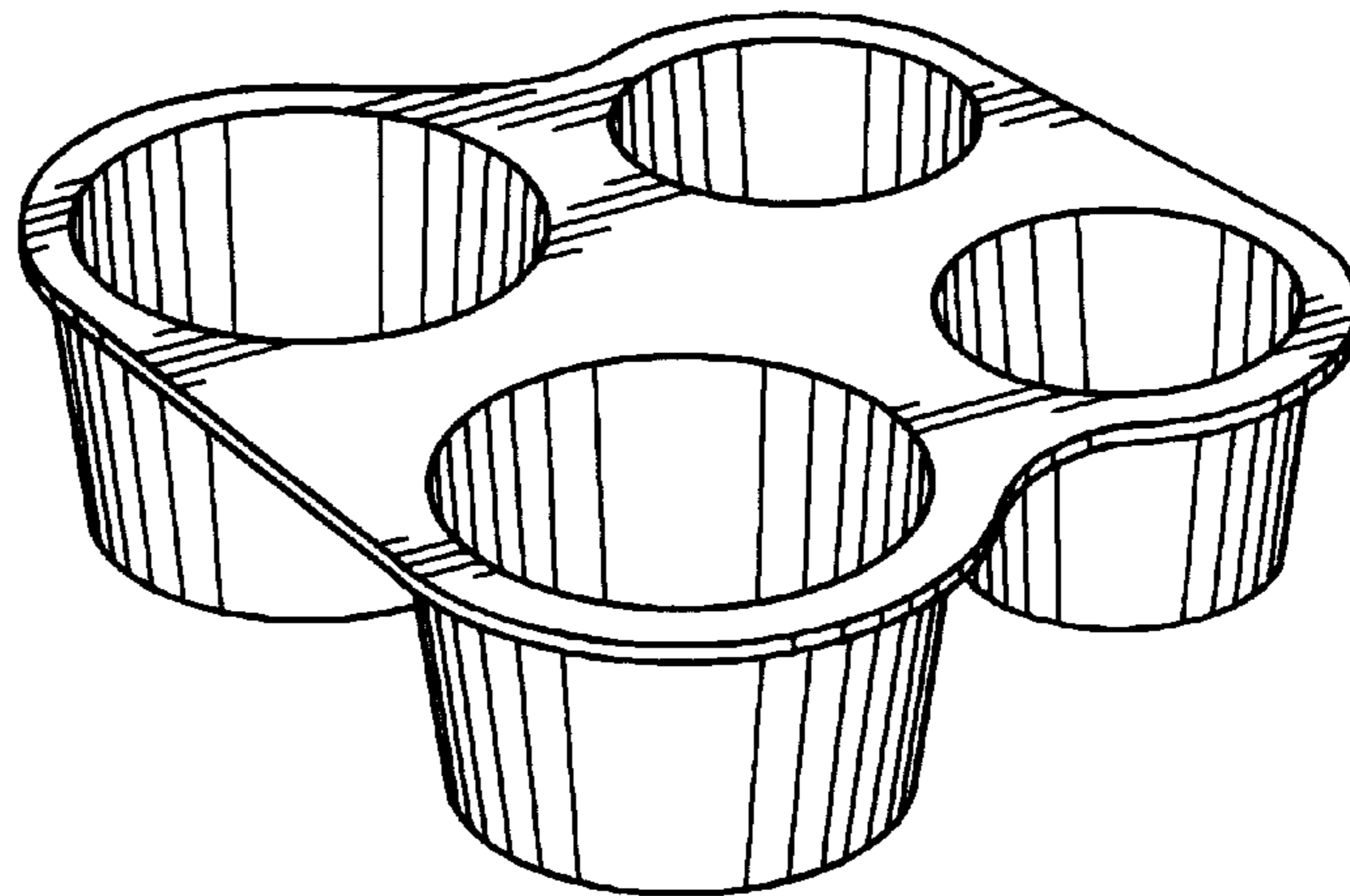


FIG. 7

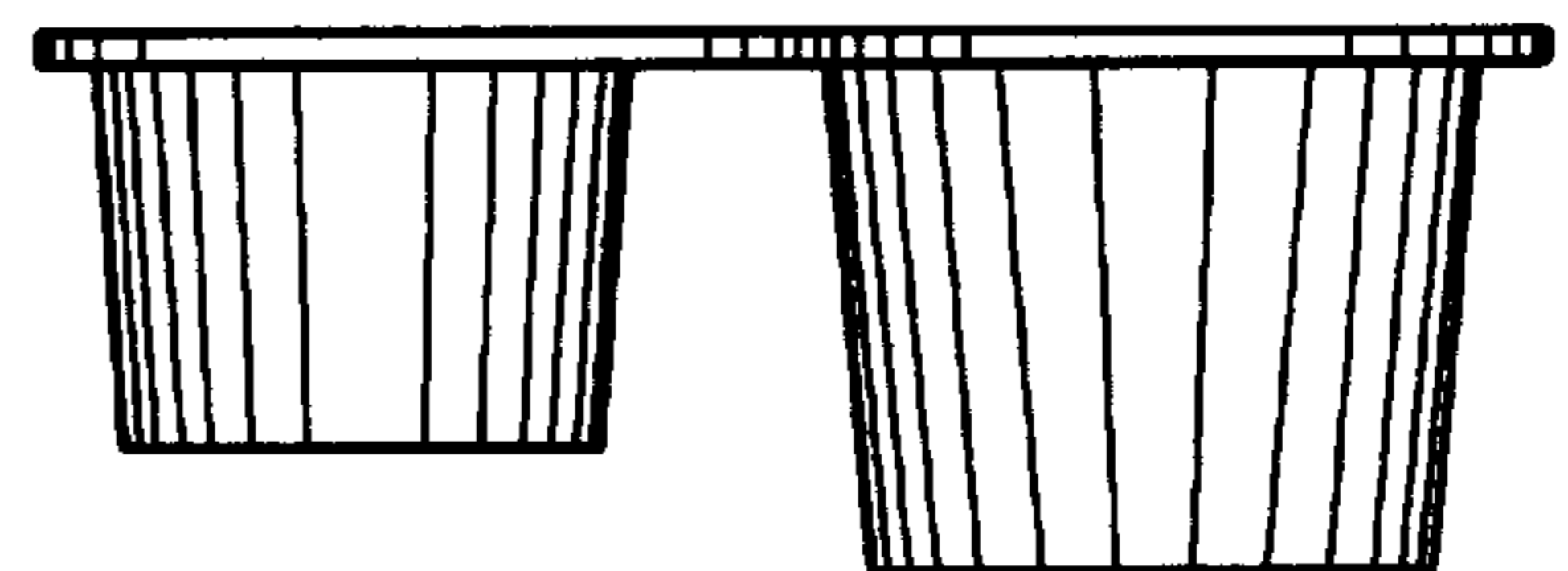


FIG. 8