



US00D426423S

# United States Patent [19]

Lee

[11] **Patent Number: Des. 426,423**

[45] **Date of Patent: \*\* Jun. 13, 2000**

[54] **FOOD PROCESSOR**

D. 301,824 6/1989 Machuron ..... D7/384  
D. 406,154 2/1999 Copland et al. .... D7/376 X

[75] Inventor: **Kwok Kay Lee**, Jardine's Lookout, The Hong Kong Special Administrative Region of the People's Republic of China

*Primary Examiner*—Caron D. Veynar  
*Attorney, Agent, or Firm*—Leydig, Voit & Mayer, Ltd.

[73] Assignee: **Main Power Electrical Factory Ltd.**, Kowloon, The Hong Kong Special Administrative Region of the People's Republic of China

[57] **CLAIM**

The ornamental design for a food processor, as shown and described.

[\*\*] Term: **14 Years**

**DESCRIPTION**

[21] Appl. No.: **29/104,999**

FIG. 1 is a front and left side perspective view of a food processor showing my new design;

[22] Filed: **May 14, 1999**

FIG. 2 is a rear and right side perspective view thereof;

[51] **LOC (7) Cl.** ..... **31-00**

[52] **U.S. Cl.** ..... **D7/384**

[58] **Field of Search** ..... D7/376, 384, 386;  
366/197, 199, 241; 241/33, 101.01, 185.5,  
274, 275, 277, 278.2, 285.2, 301

FIG. 3 is a left side elevational view thereof;

FIG. 4 is a right side elevational view thereof;

FIG. 5 is a front elevational view thereof;

FIG. 6 is a rear elevational view thereof;

FIG. 7 is a top plan view thereof; and,

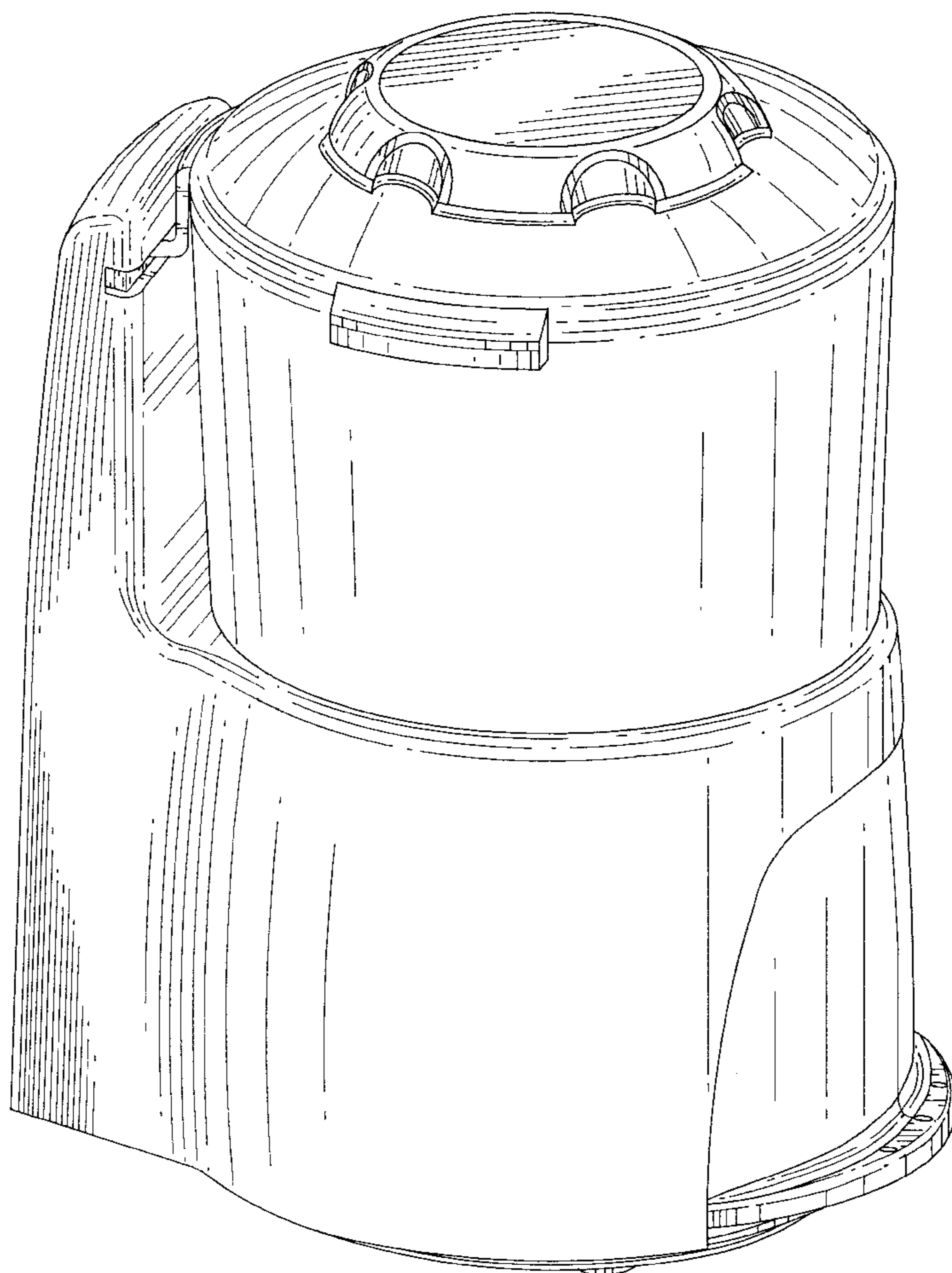
FIG. 8 is a bottom plan view thereof.

[56] **References Cited**

**U.S. PATENT DOCUMENTS**

D. 301,297 5/1989 Barrault ..... D7/384

**1 Claim, 7 Drawing Sheets**



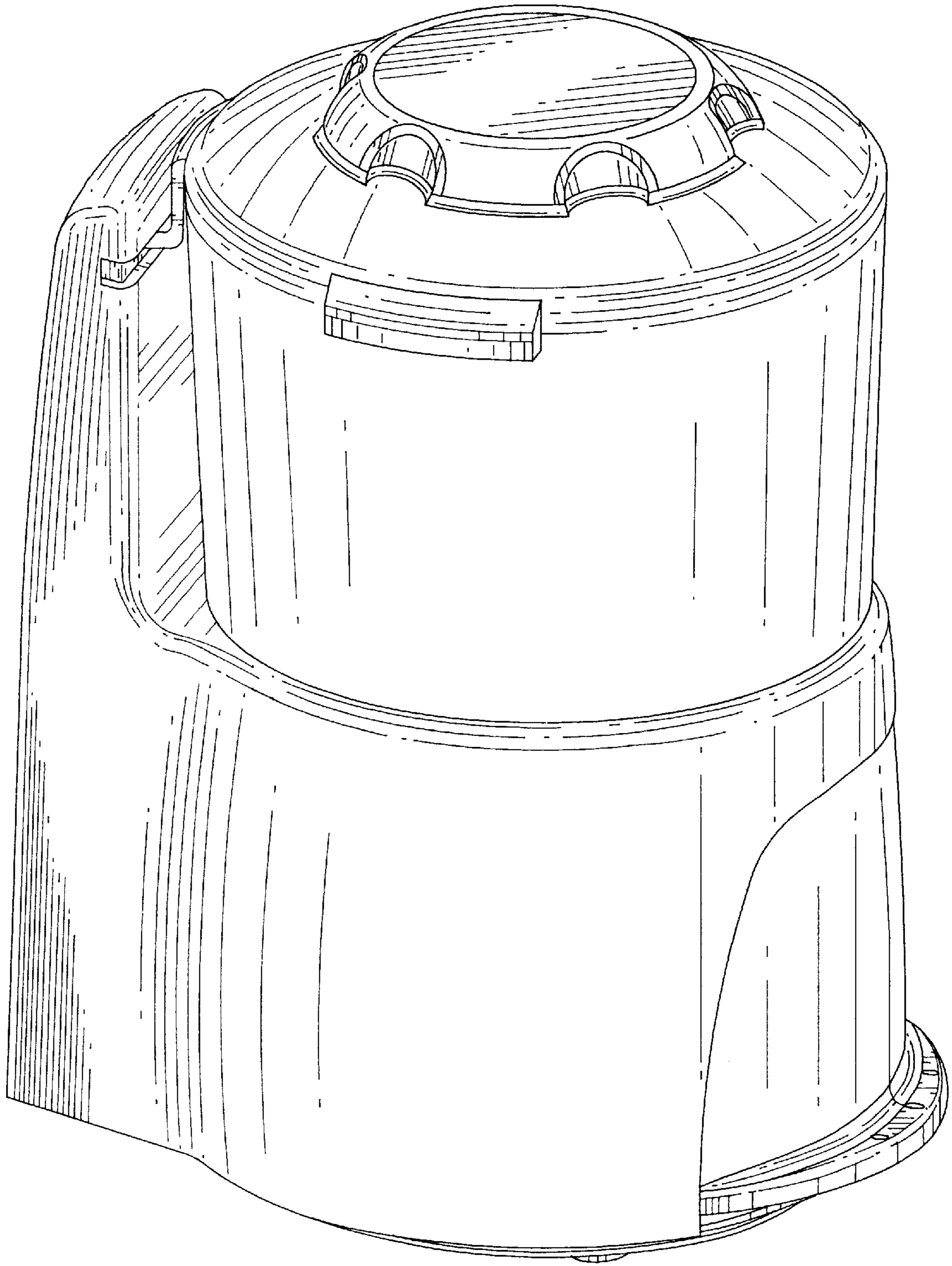


FIG. 1

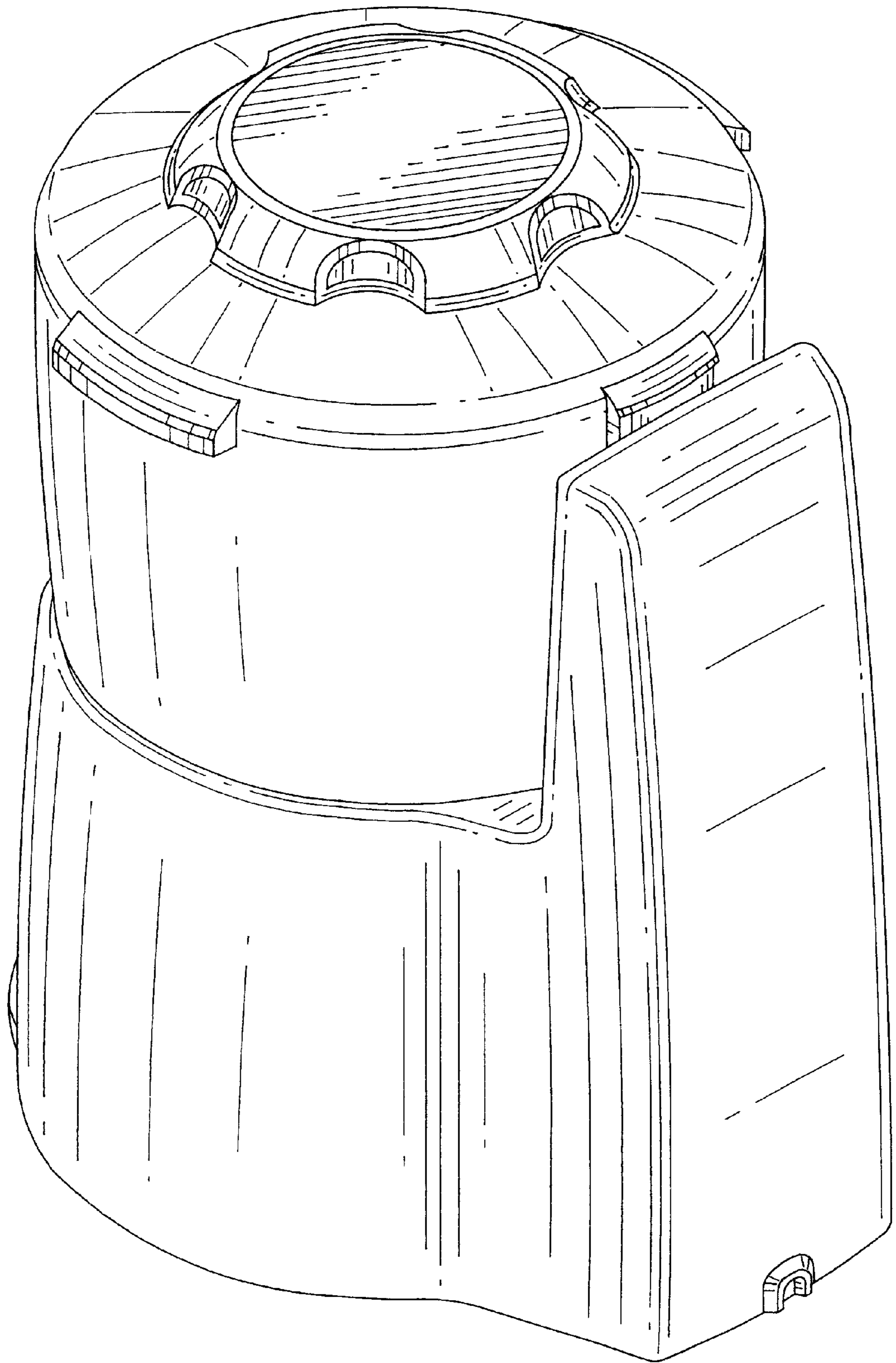


FIG. 2

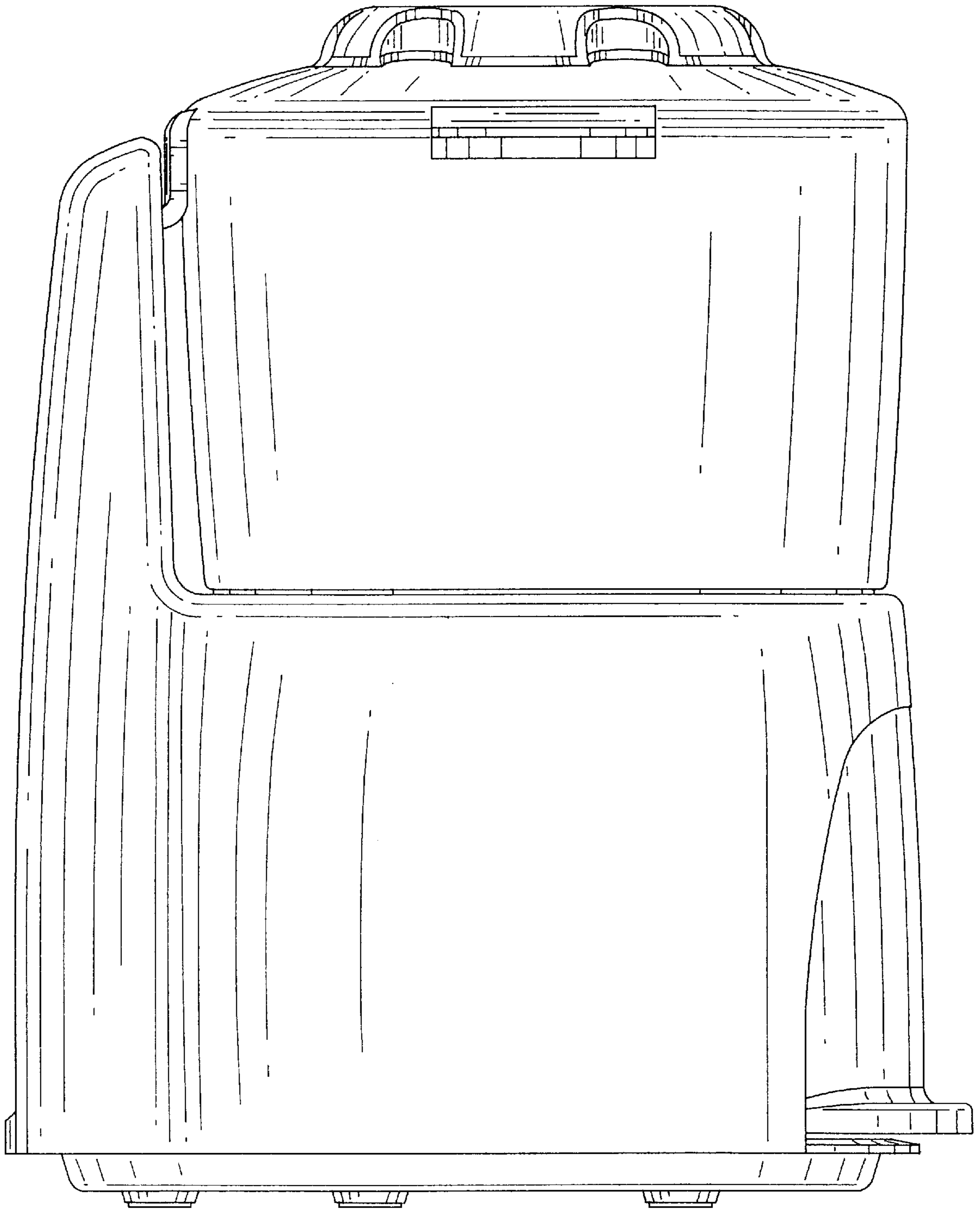


FIG. 3

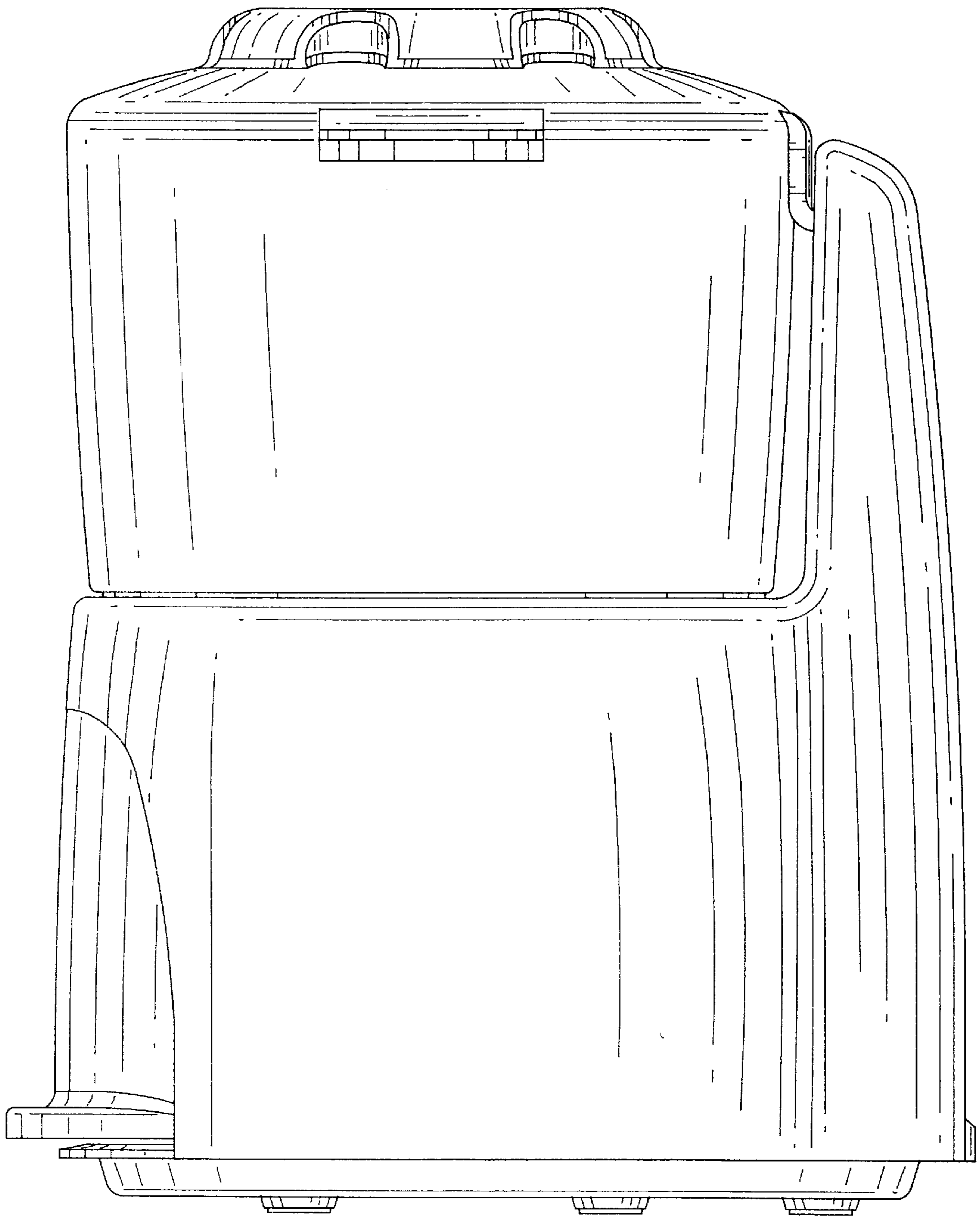


FIG. 4

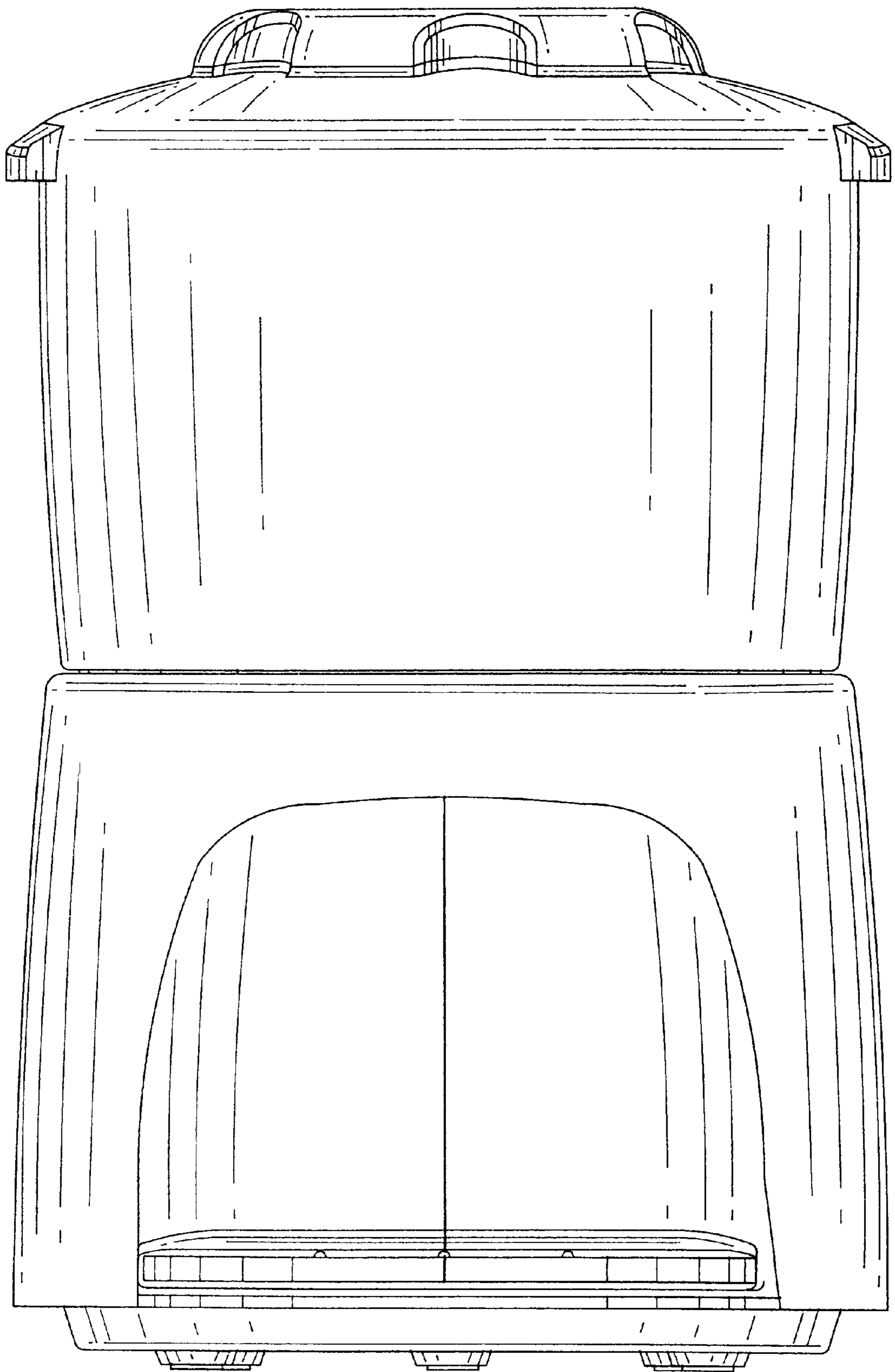


FIG. 5

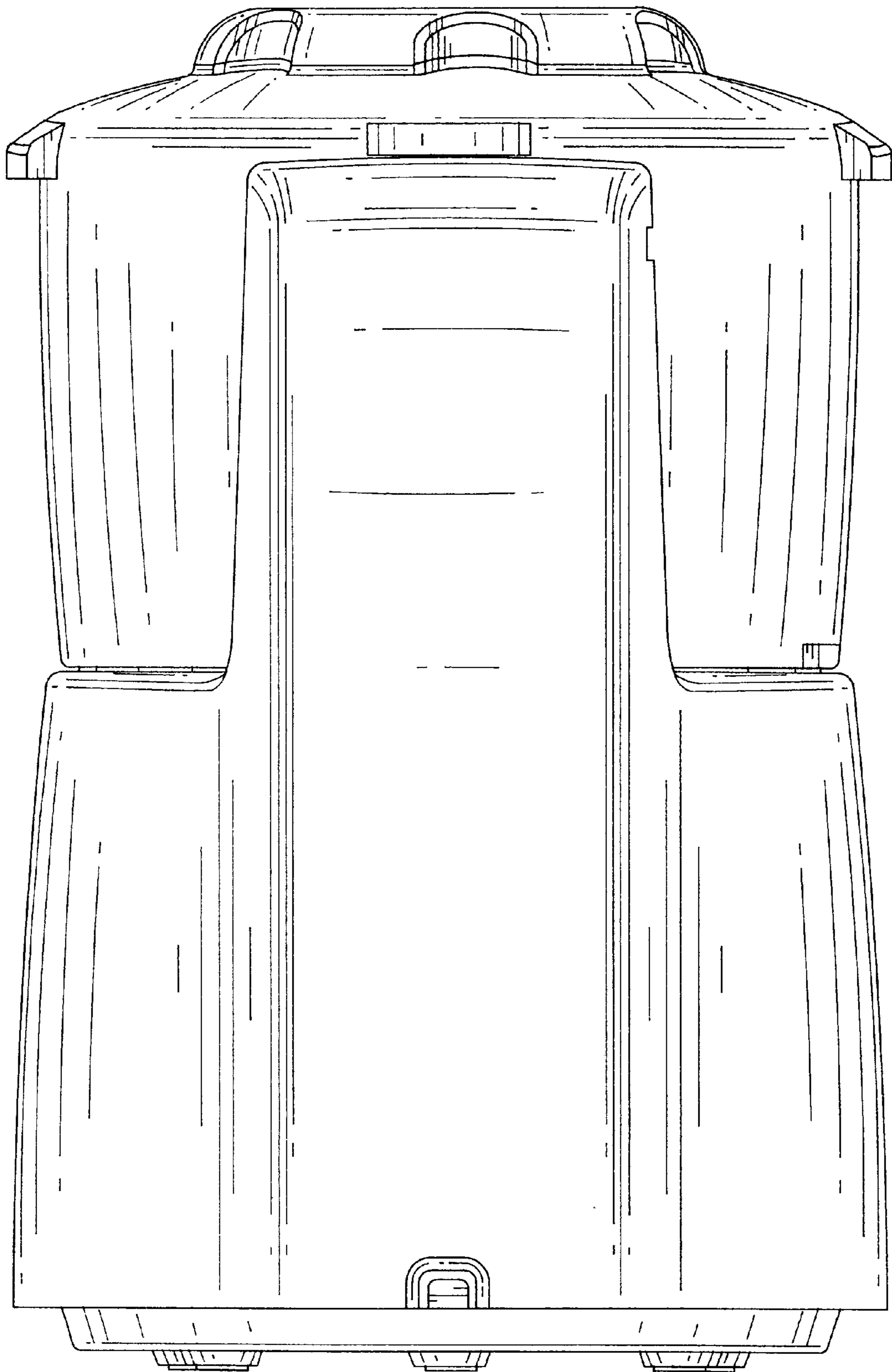


FIG. 6

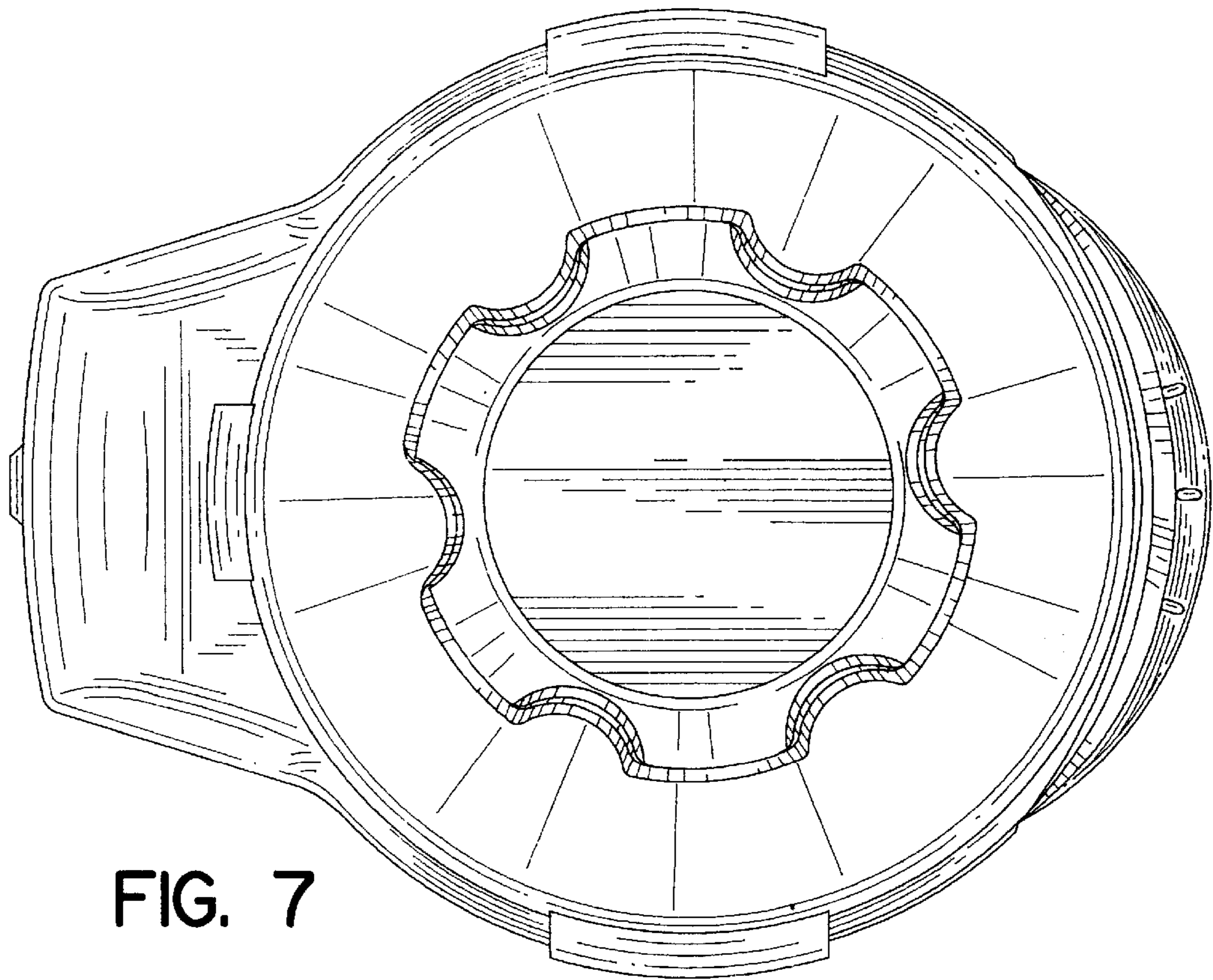


FIG. 7

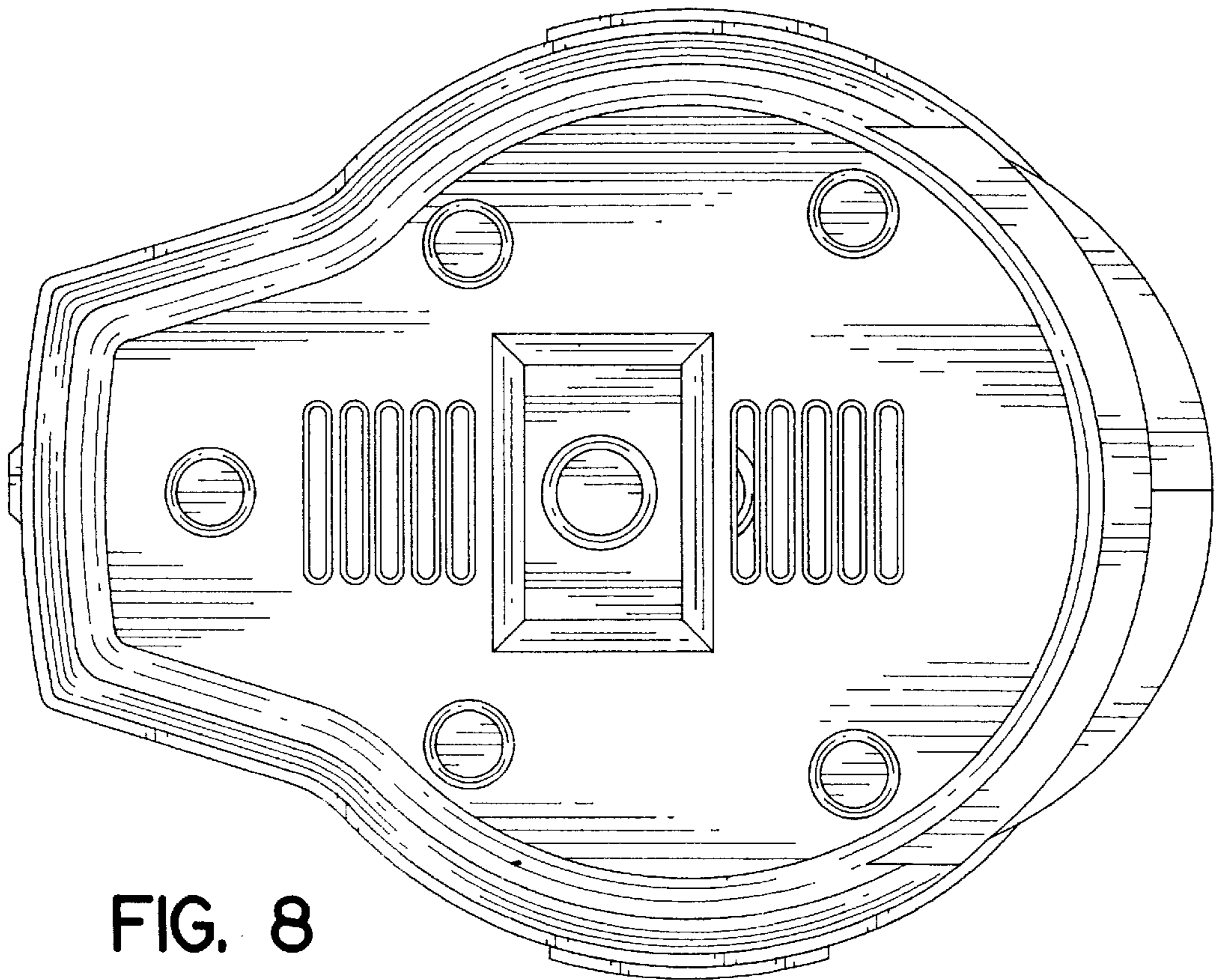


FIG. 8