



US00D426422S

United States Patent [19] Otto

[11] **Patent Number: Des. 426,422**
[45] **Date of Patent: ** Jun. 13, 2000**

[54] **UNIVERSAL FOOD PROCESSOR**

[75] Inventor: **Friedrich Otto**, Hameln, Germany

[73] Assignee: **A. Stephan U. Soehne GmbH & Co.**,
Hameln, Germany

[**] Term: **14 Years**

[21] Appl. No.: **29/077,822**

[22] Filed: **Oct. 14, 1997**

[30] Foreign Application Priority Data

Apr. 14, 1997 [XH] Hague Agreement DM039866

[51] **LOC (7) Cl.** **31-00**

[52] **U.S. Cl.** **D7/384; D7/376**

[58] **Field of Search** D7/376-386; D15/147;
366/92, 93, 129, 130, 282.1, 282.2, 143,
185, 241, 260

[56] References Cited

U.S. PATENT DOCUMENTS

D. 294,448 3/1988 Otto D7/376

D. 319,370 8/1991 Otto D7/384
D. 388,447 12/1997 Otto D15/147
4,863,278 9/1989 Otto 366/143
4,878,627 11/1989 Otto 241/199.12
4,955,724 9/1990 Otto 366/314

FOREIGN PATENT DOCUMENTS

DM/019 777 6/1991 WIPO .

Primary Examiner—Caron D. Veynar
Attorney, Agent, or Firm—Foley & Lardner

[57] CLAIM

The ornamental design for a universal food processor, as shown and described.

DESCRIPTION

FIG. 1 is a front view of a universal food processor showing my new design;
FIG. 2 is a top view thereof;
FIG. 3 is a bottom view thereof;
FIG. 4 is a rear view thereof;
FIG. 5 is a left side view thereof; and,
FIG. 6 is a right side view thereof.

1 Claim, 6 Drawing Sheets

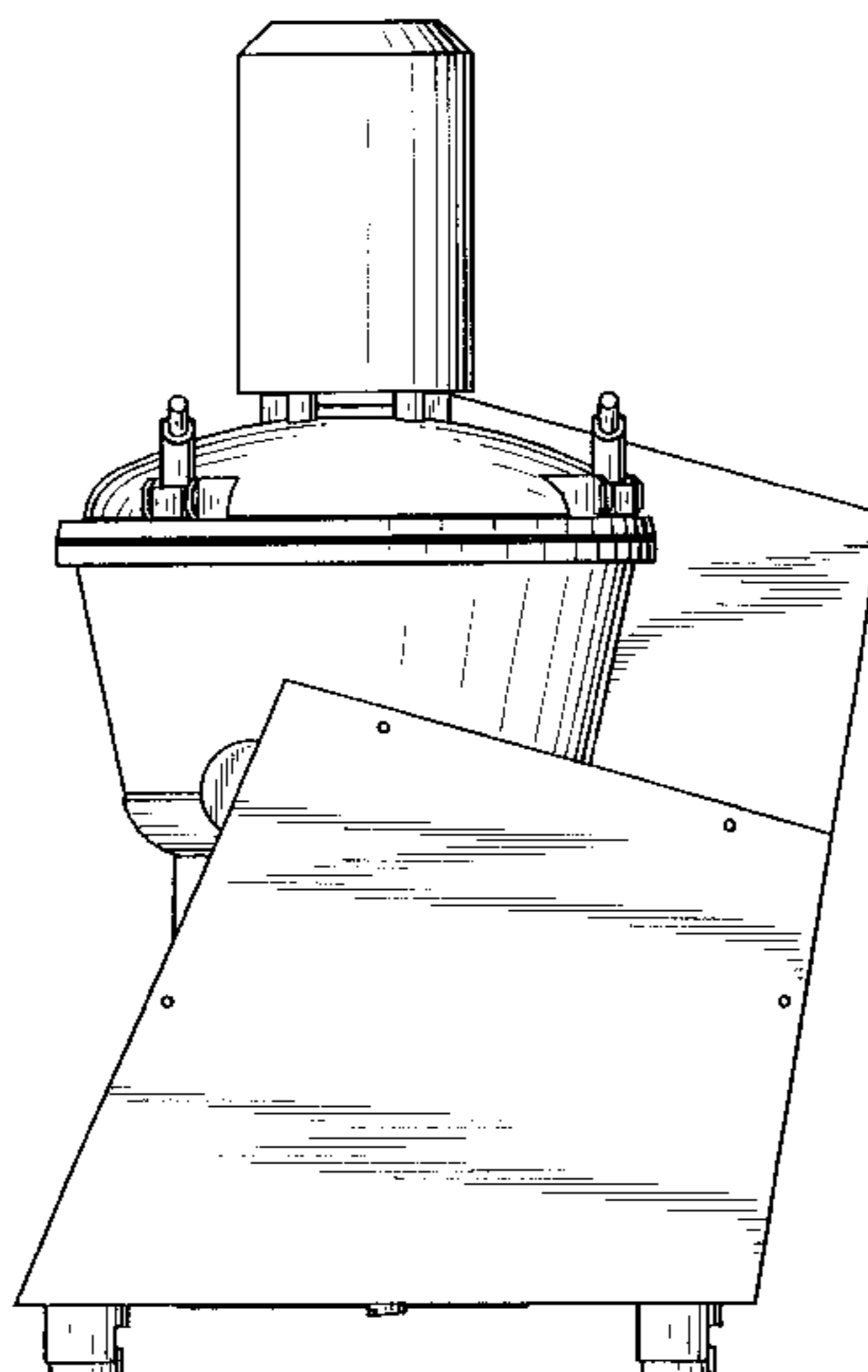
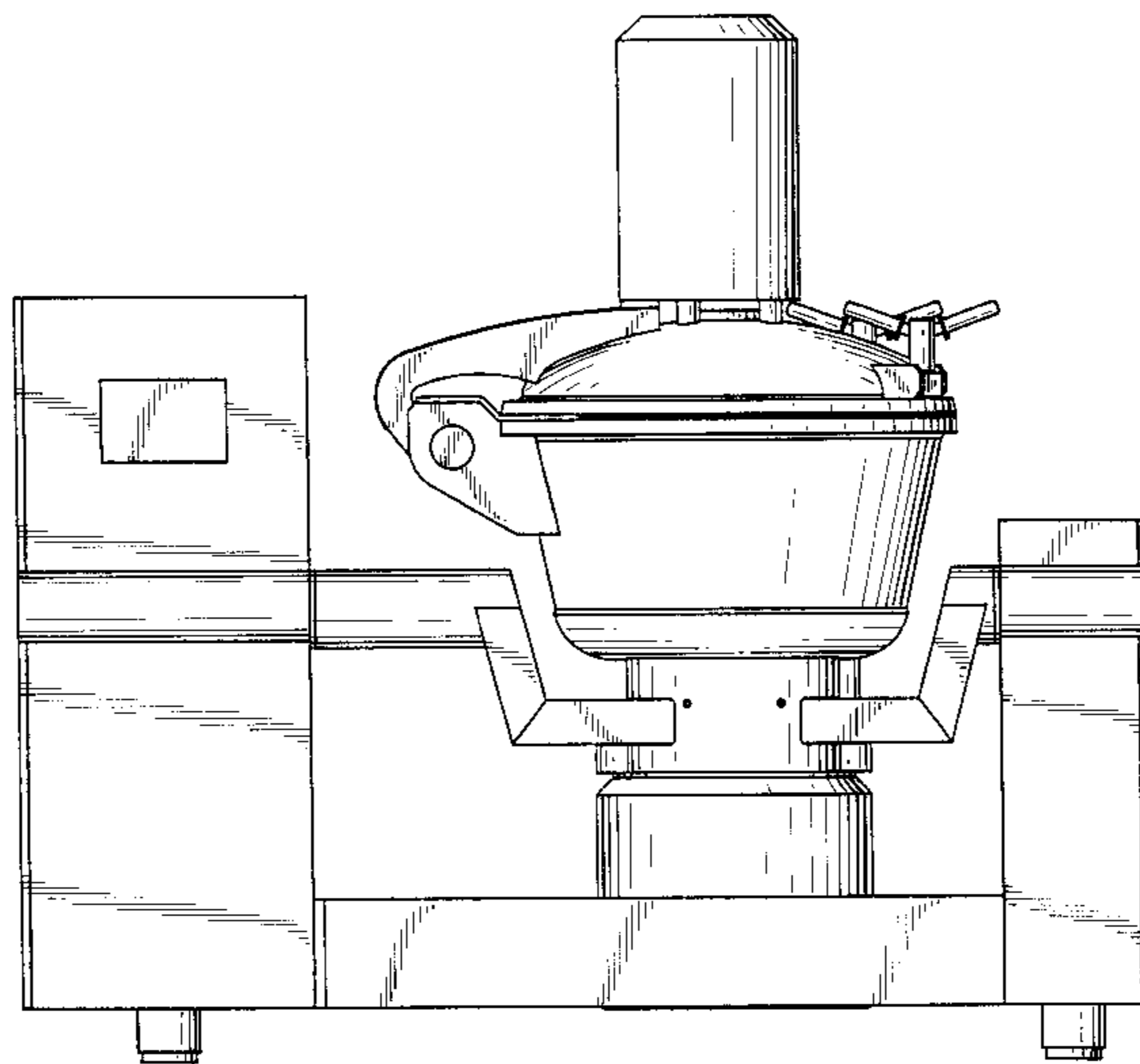


FIG. 1

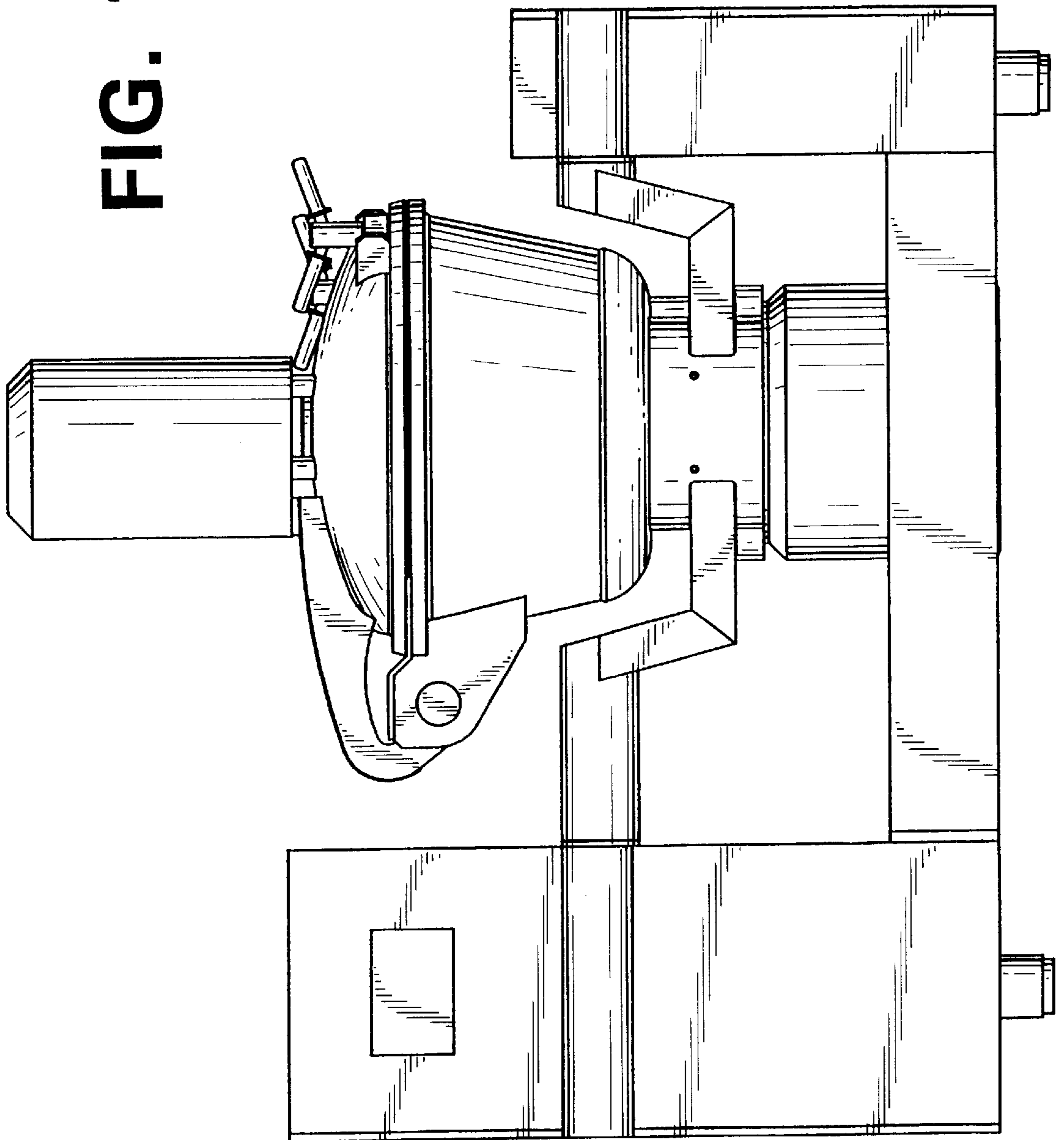
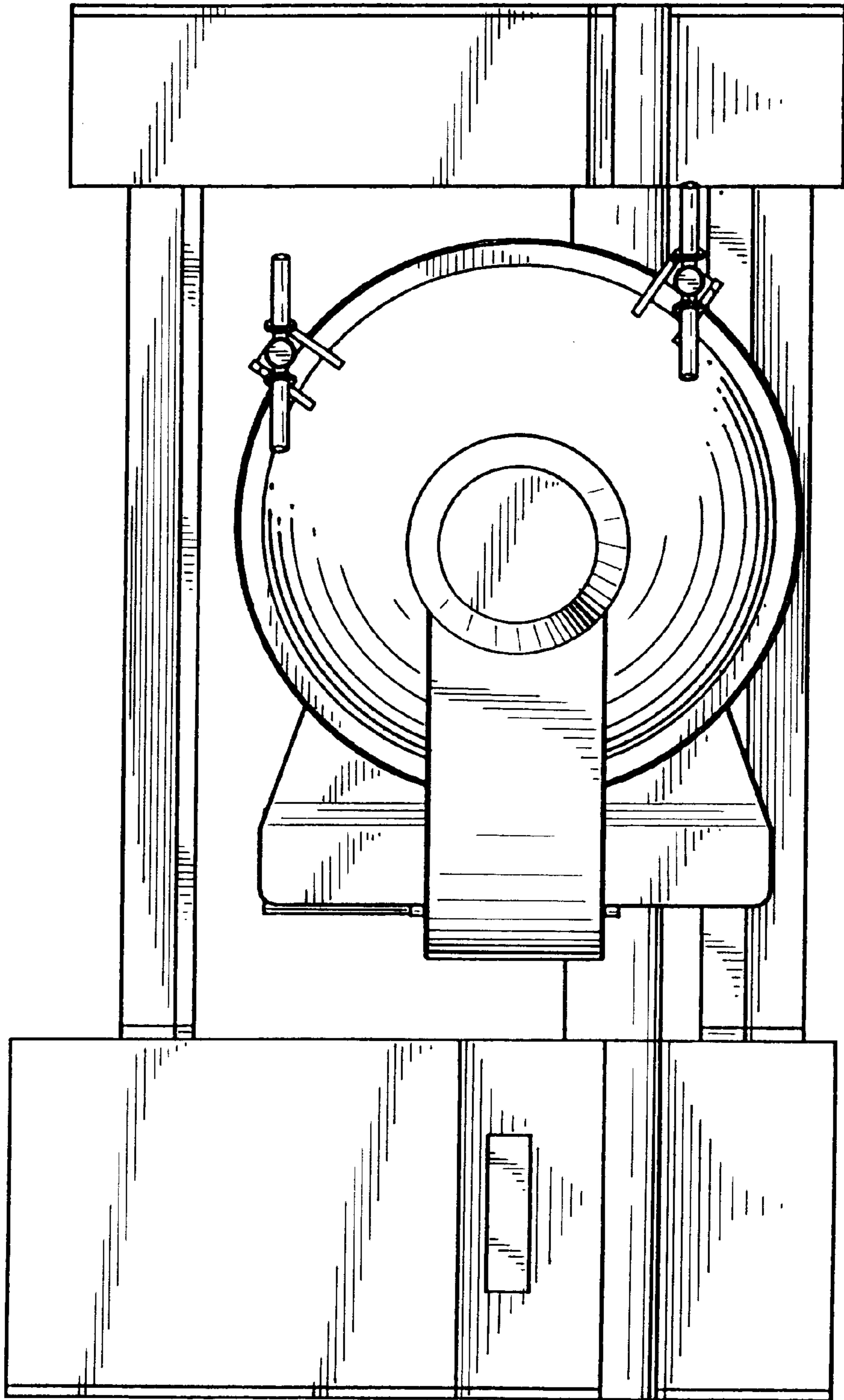


FIG. 2



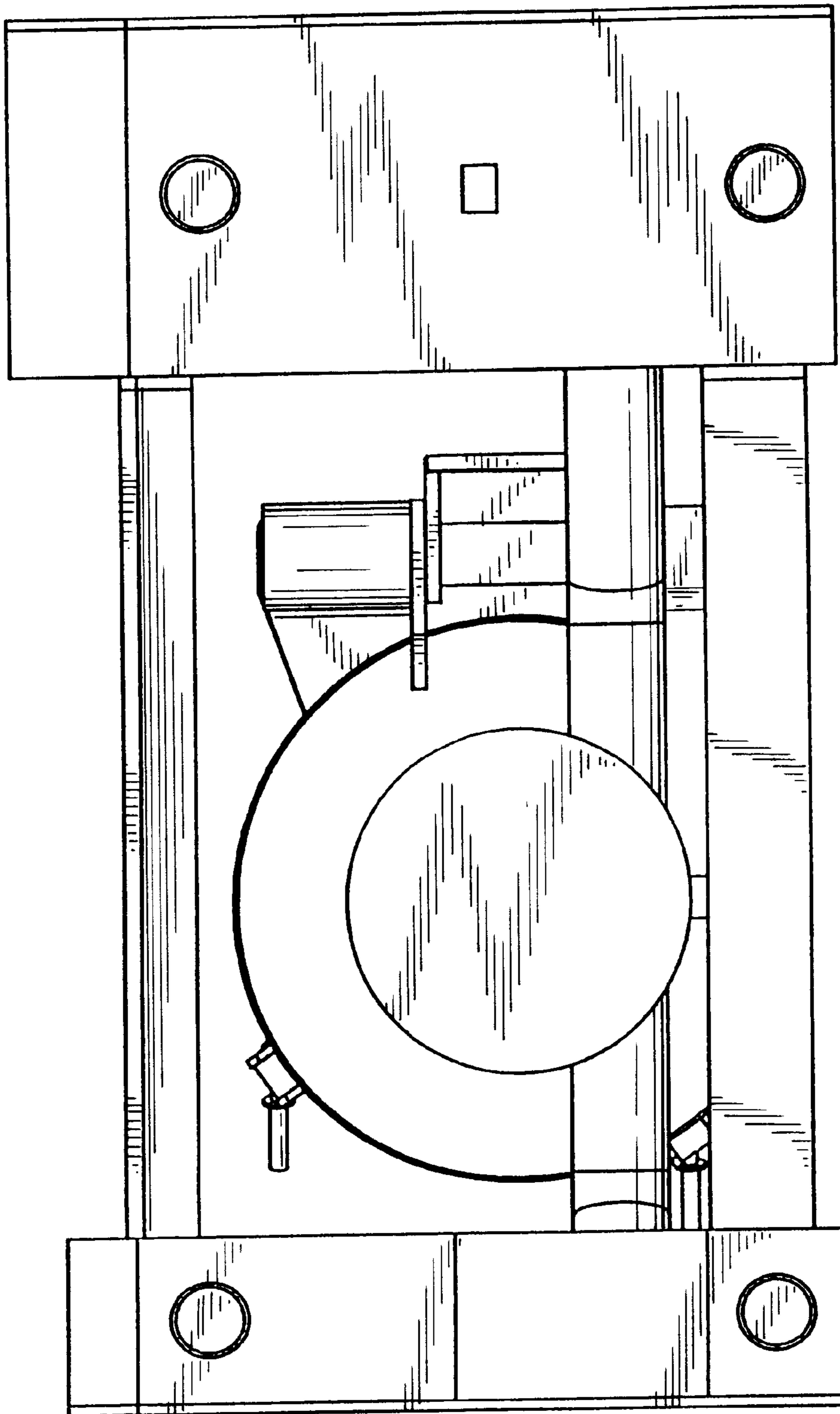


FIG. 3

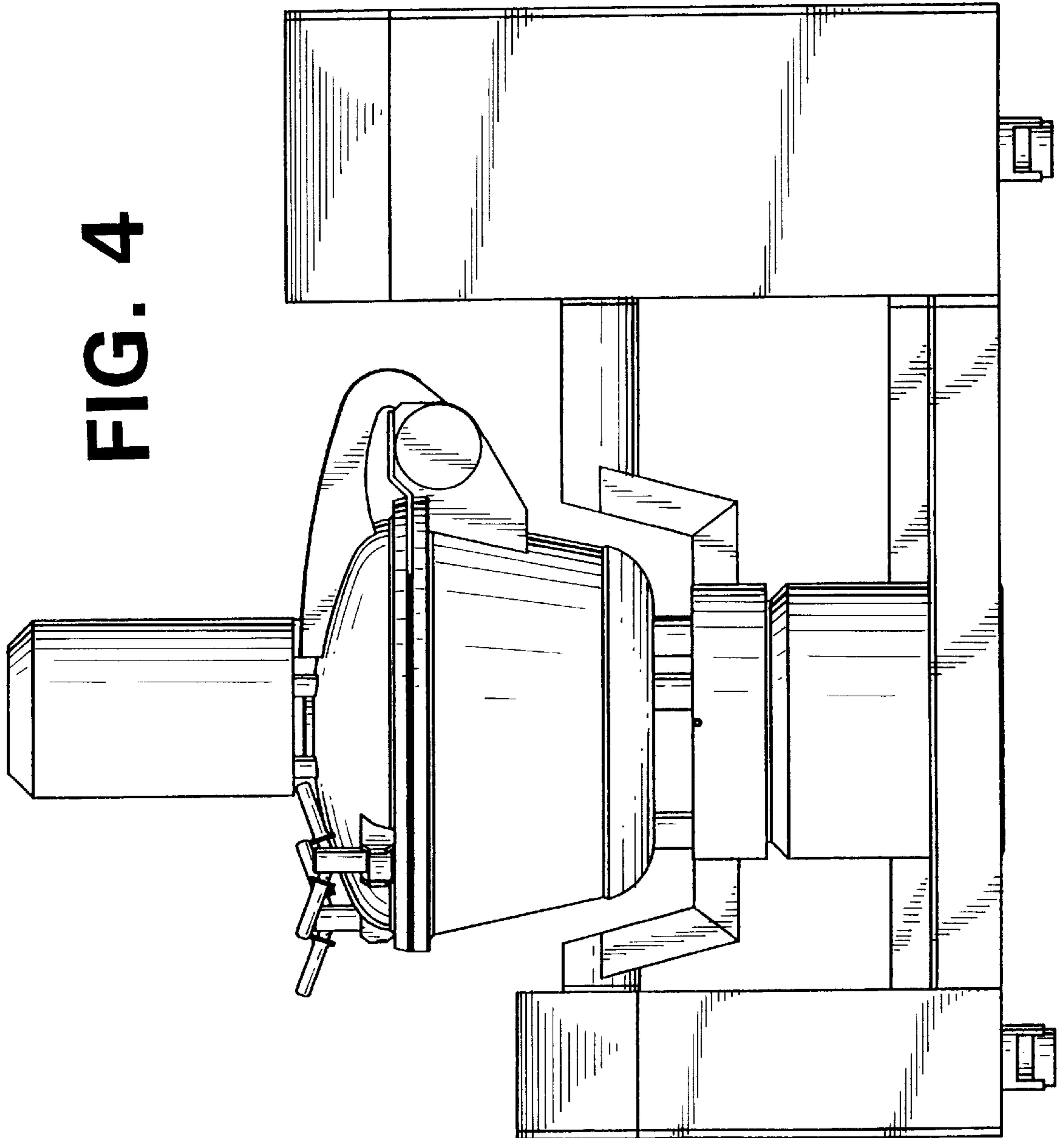


FIG. 5

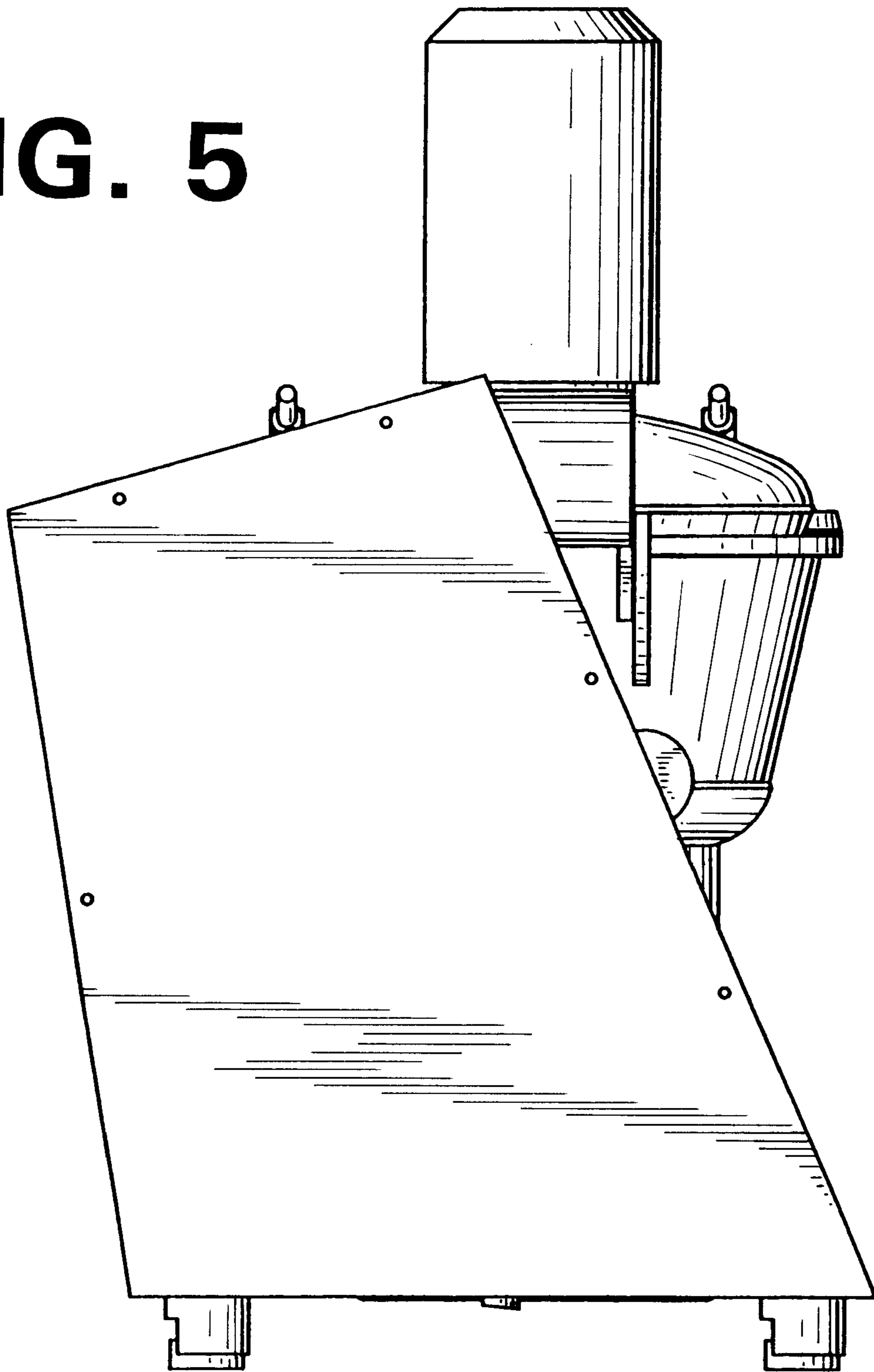


FIG. 6

