



US00D426419S

United States Patent [19] Kuo

[11] **Patent Number: Des. 426,419**
[45] **Date of Patent: ** Jun. 13, 2000**

[54] **BARBECUE GRILL**
[76] Inventor: **Linda Chen-Lin Kuo**, No. 556, Ming Hu Road, Hsinchu, Taiwan
[**] Term: **14 Years**
[21] Appl. No.: **29/094,722**
[22] Filed: **Oct. 8, 1998**
[51] **LOC (7) Cl. 07-02**
[52] **U.S. Cl. D7/334**
[58] **Field of Search** D7/332-338, 402-404; 126/275 R, 275 E, 19 M, 19 R, 21 A, 25 R, 25 A, 25 AA, 29-30, 9 R, 9 A, 9 B, 39 R, 41 R, 40; 219/10.55 R, 10.55 A, 10.55 B, 10.55 C, 403, 386; 99/340-341, 419, 421 R, 421 H, 446, 450

D. 350,668 9/1994 Giebel et al. D7/334
D. 381,557 7/1997 Bradley et al. D7/402
D. 409,436 5/1999 Smith D7/334
D. 414,374 9/1999 Ting D7/334
5,111,802 5/1992 Lin 126/25 R
5,572,983 11/1996 Schlosser et al. 126/25 R

Primary Examiner—Ruth McInroy
Attorney, Agent, or Firm—Rosenberg, Klein & Lee

[57] CLAIM

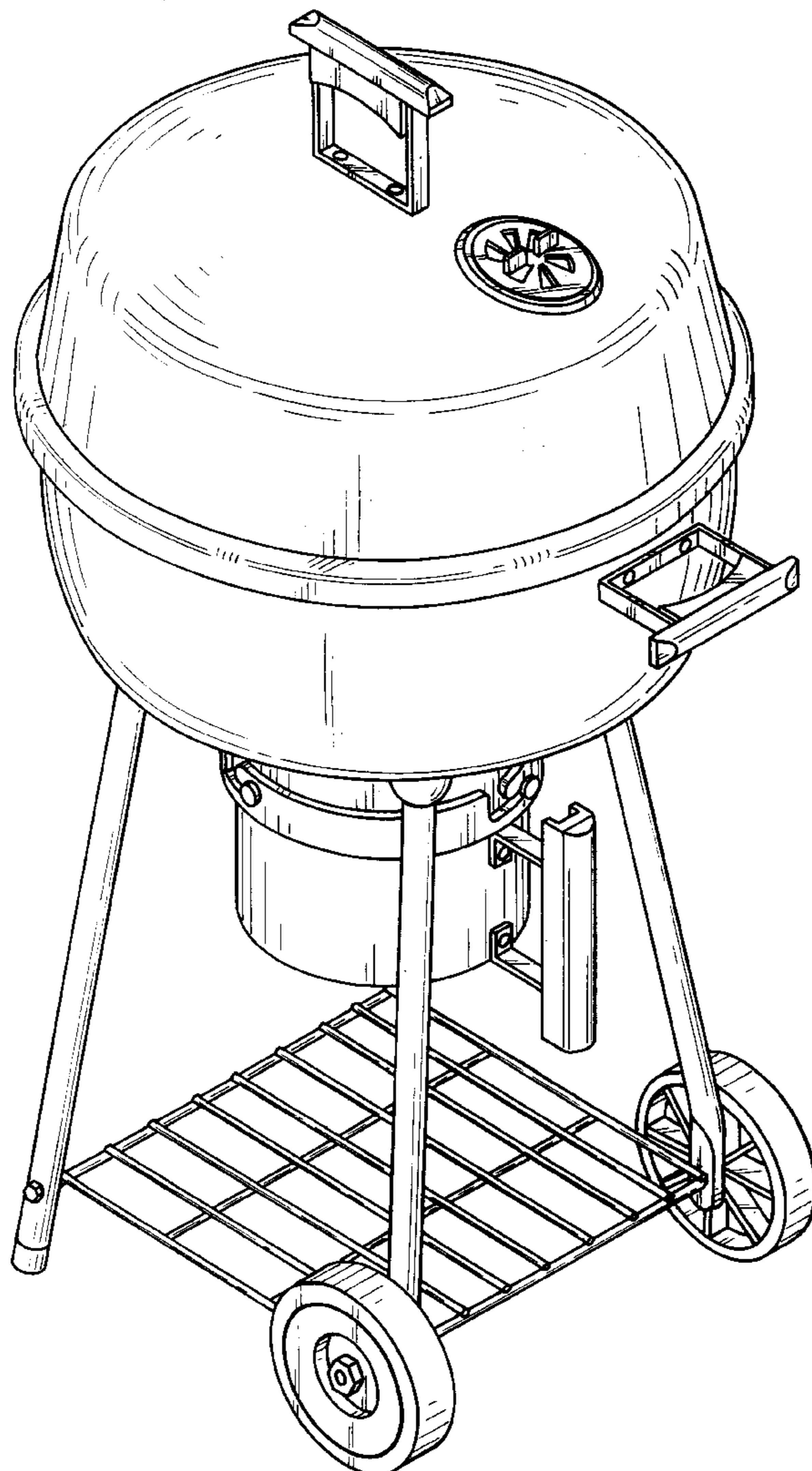
The ornamental design for a barbecue grill, as shown and described.

DESCRIPTION

FIG. 1 is a perspective view of a barbecue grill showing my new design;
FIG. 2 is a front elevational view thereof;
FIG. 3 is a rear elevational view thereof;
FIG. 4 is a top plan view thereof;
FIG. 5 is a bottom plan view thereof;
FIG. 6 is a left side elevational view thereof; and,
FIG. 7 is a right side elevational view thereof.

[56] **References Cited**
U.S. PATENT DOCUMENTS
D. 295,135 4/1988 Ogden D7/334
D. 327,805 7/1992 Parent et al. D7/334

1 Claim, 6 Drawing Sheets



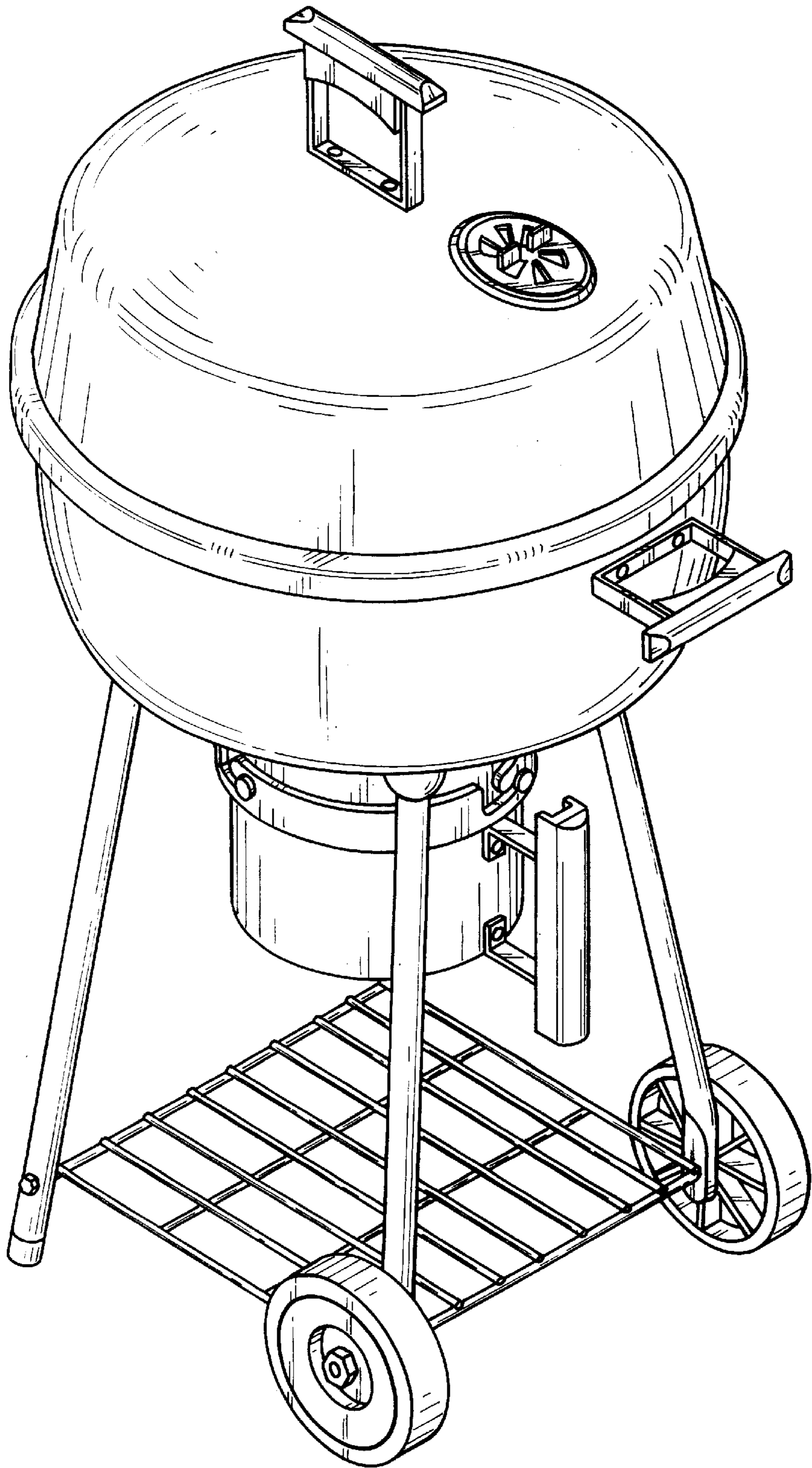


FIG. 1

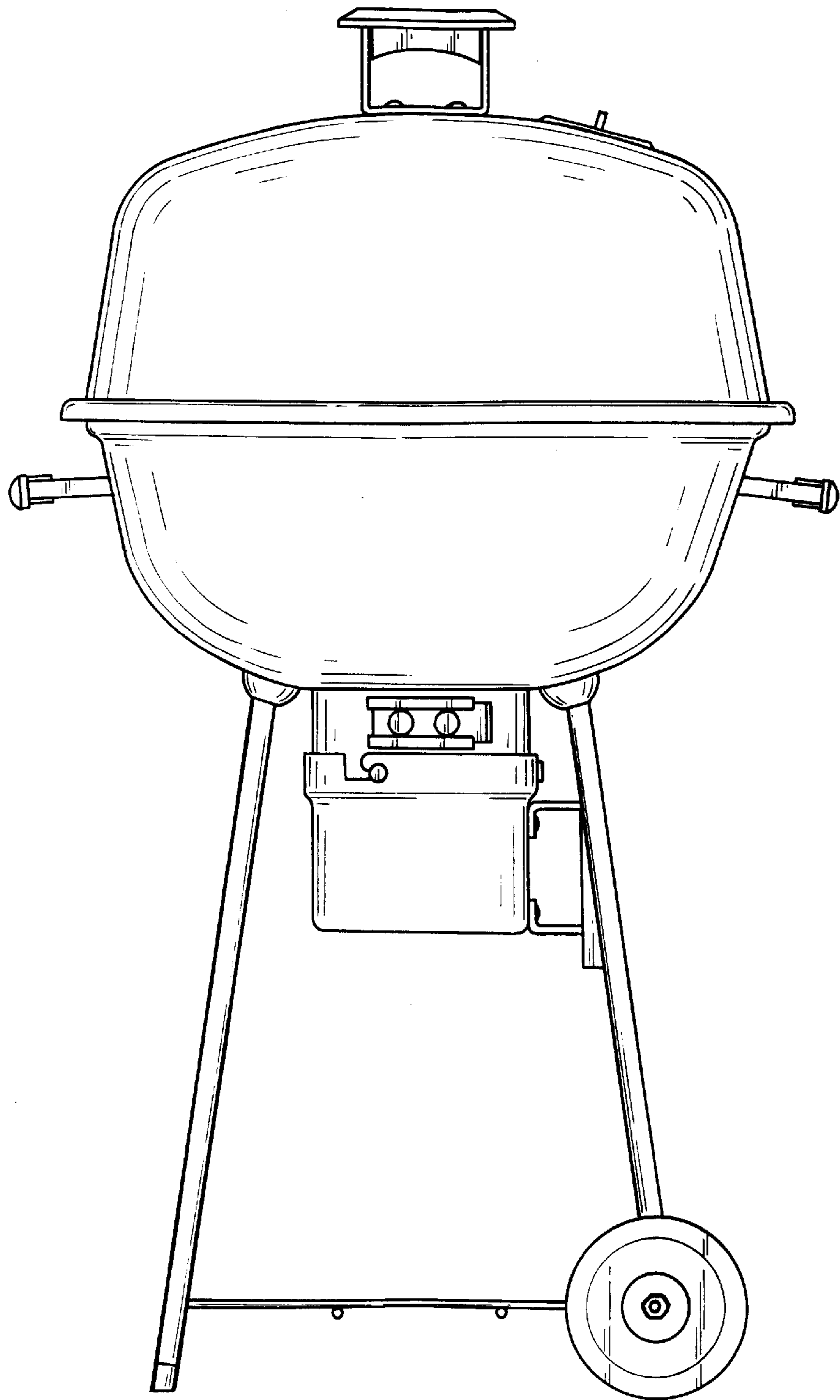


FIG. 2

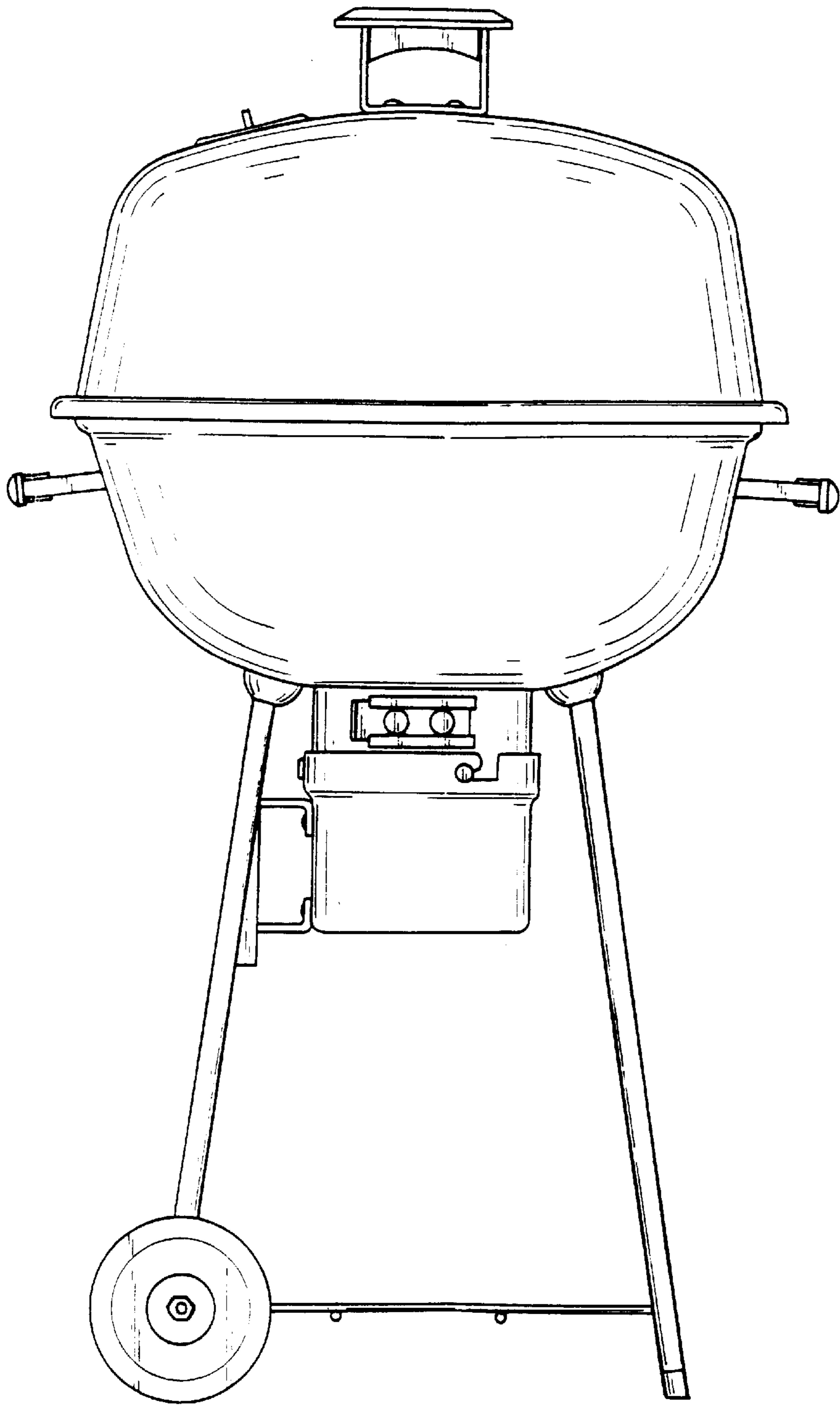


FIG. 3

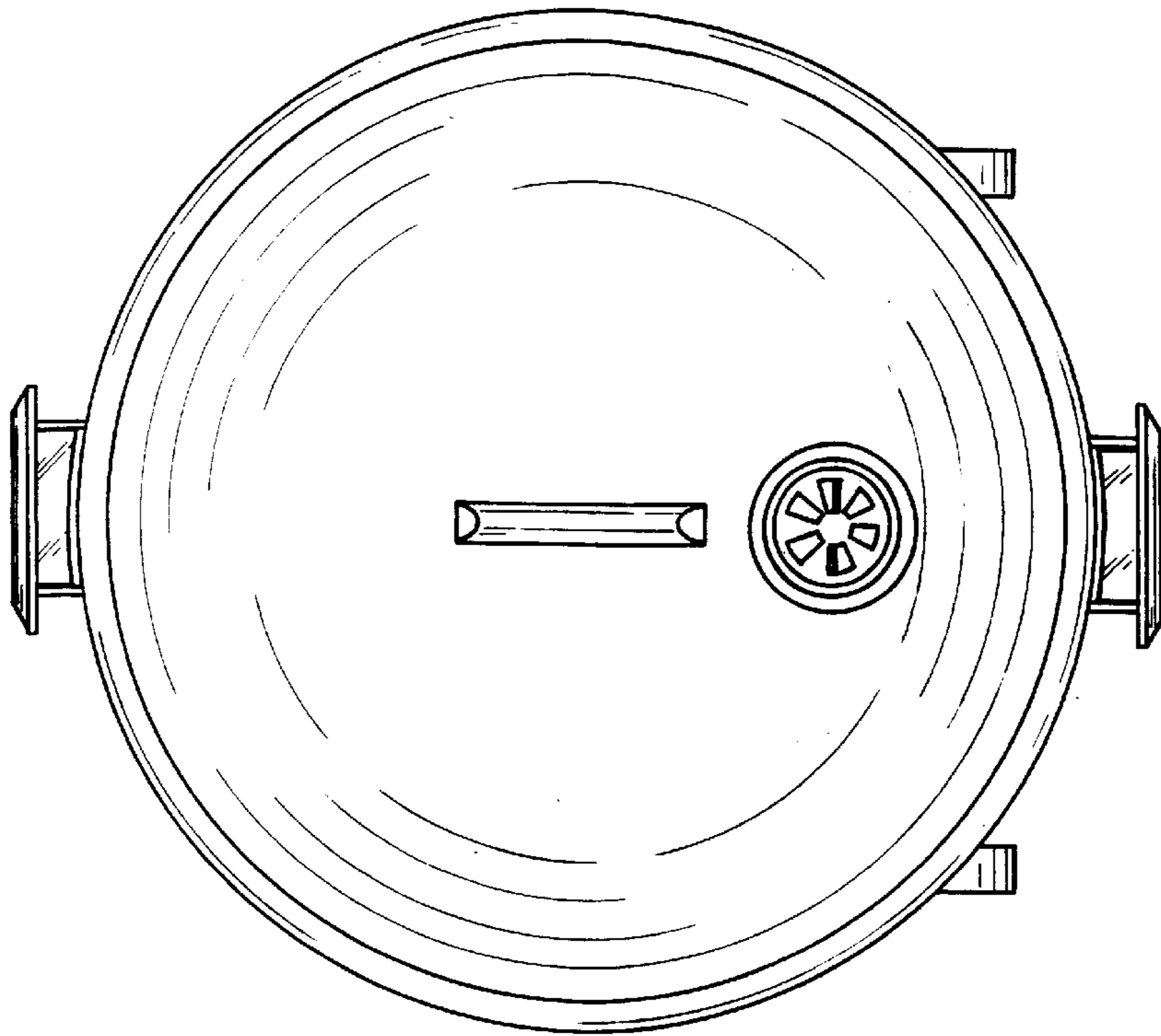


FIG. 4

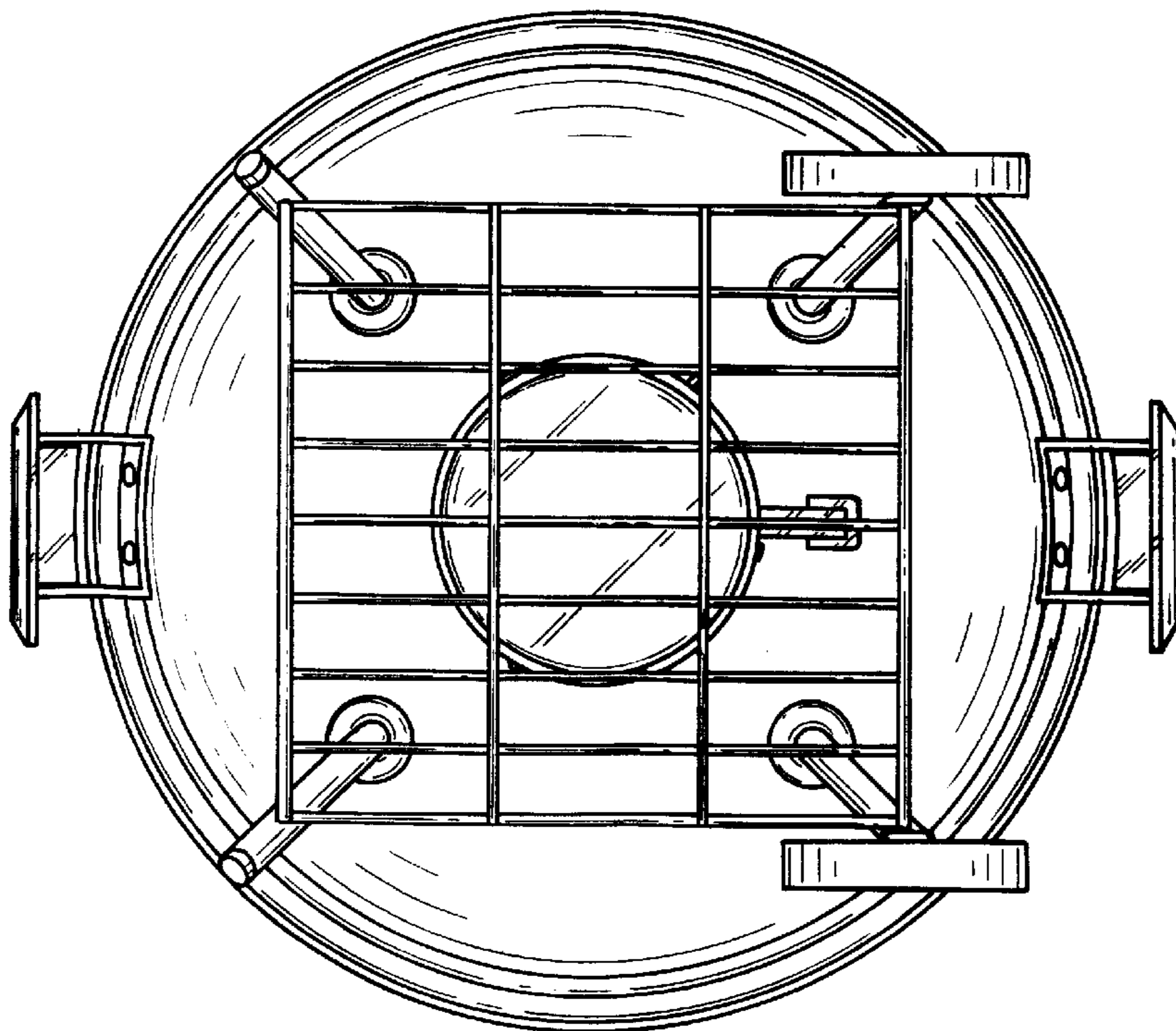


FIG. 5

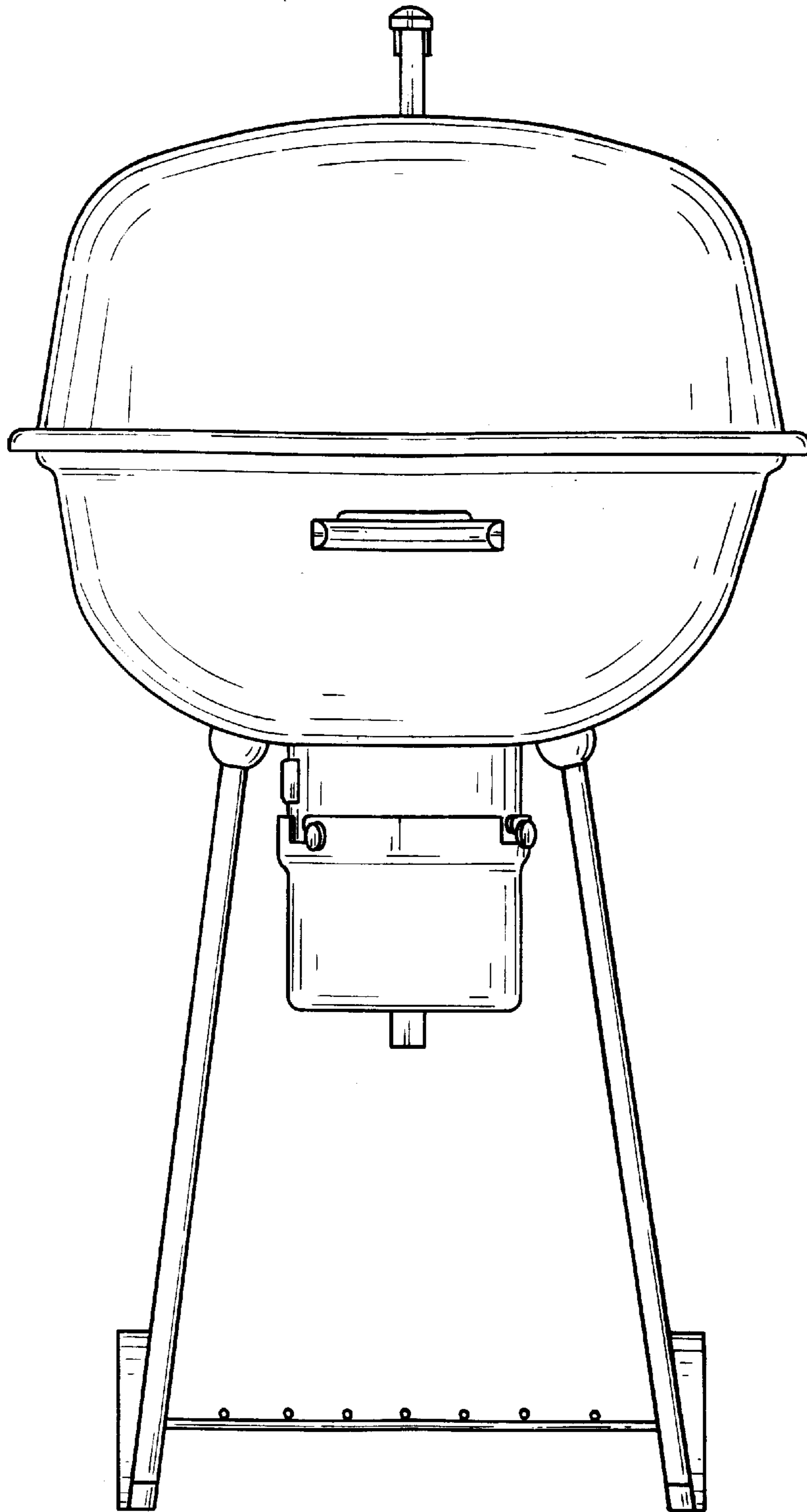


FIG. 6

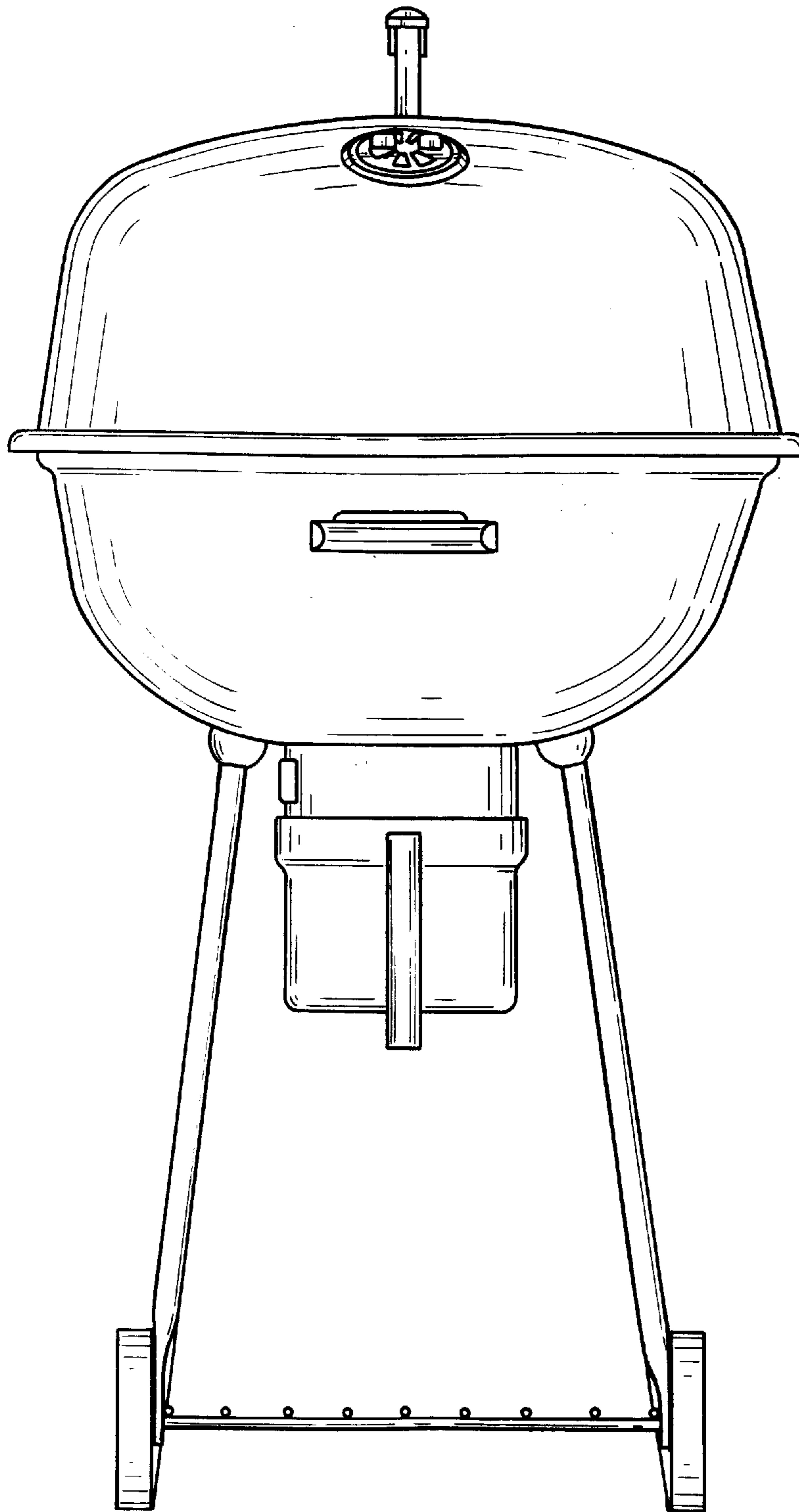


FIG. 7