



US00D426411S

United States Patent [19] Tramontina

[11] Patent Number: **Des. 426,411**

[45] Date of Patent: **** Jun. 13, 2000**

[54] **PAPER TOWEL DISPENSER**

[75] Inventor: **Paul Francis Tramontina**, Perkasio, Pa.

[73] Assignee: **Kimberly-Clark Corporation**, Neenah, Wis.

[**] Term: **14 Years**

[21] Appl. No.: **29/048,964**

[22] Filed: **Jan. 16, 1996**

[51] **LOC (7) Cl.** **07-07**

[52] **U.S. Cl.** **D6/522**

[58] **Field of Search** D6/518-523; 206/225; 221/33, 282; 242/570, 590; 312/348

3,797,769	3/1974	Tucker	242/55.53
3,843,218	10/1974	Krueger et al.	312/38
3,851,941	12/1974	Stebe	312/333
3,920,297	11/1975	Brandes	312/217
3,971,237	7/1976	Rasmussen	70/99
3,998,308	12/1976	Yeakley	194/10
4,047,775	9/1977	Wolbrink	312/211
4,143,792	3/1979	Rex	221/97
4,223,965	9/1980	Palandrani	312/100
4,383,377	5/1983	Crafton	34/60
4,408,811	10/1983	Richardson et al.	312/37
4,410,221	10/1983	Vallis et al.	312/39
4,915,257	4/1990	Bailey	221/48
5,014,985	5/1991	Capps	273/32 R
5,125,548	6/1992	Perrin et al.	225/39
5,255,885	10/1993	Iversen	248/489

Primary Examiner—Brian N. Vinson
Attorney, Agent, or Firm—Karl V. Sidor

[56] **References Cited**

U.S. PATENT DOCUMENTS

D. 316,788	5/1991	Fischer et al.	D6/522
D. 354,871	1/1995	Frazier et al.	D6/522
D. 363,628	10/1995	McCanless	D6/522
D. 365,713	1/1996	Chen	D6/522
D. 373,277	9/1996	Giugiaro	D6/522
1,339,823	5/1920	Harbaugh .		
1,568,901	1/1926	Mickey .		
2,229,596	1/1941	Eilers	292/196
2,883,254	4/1959	Bacca	312/242
2,946,636	7/1960	Penney	312/39
3,095,249	6/1963	Albrecht	312/242
3,147,051	9/1964	Birr et al.	312/37
3,222,112	12/1965	Bahnsen	312/38
3,510,055	5/1970	Safford	232/43.2
3,603,519	9/1971	Brown et al.	242/55.3

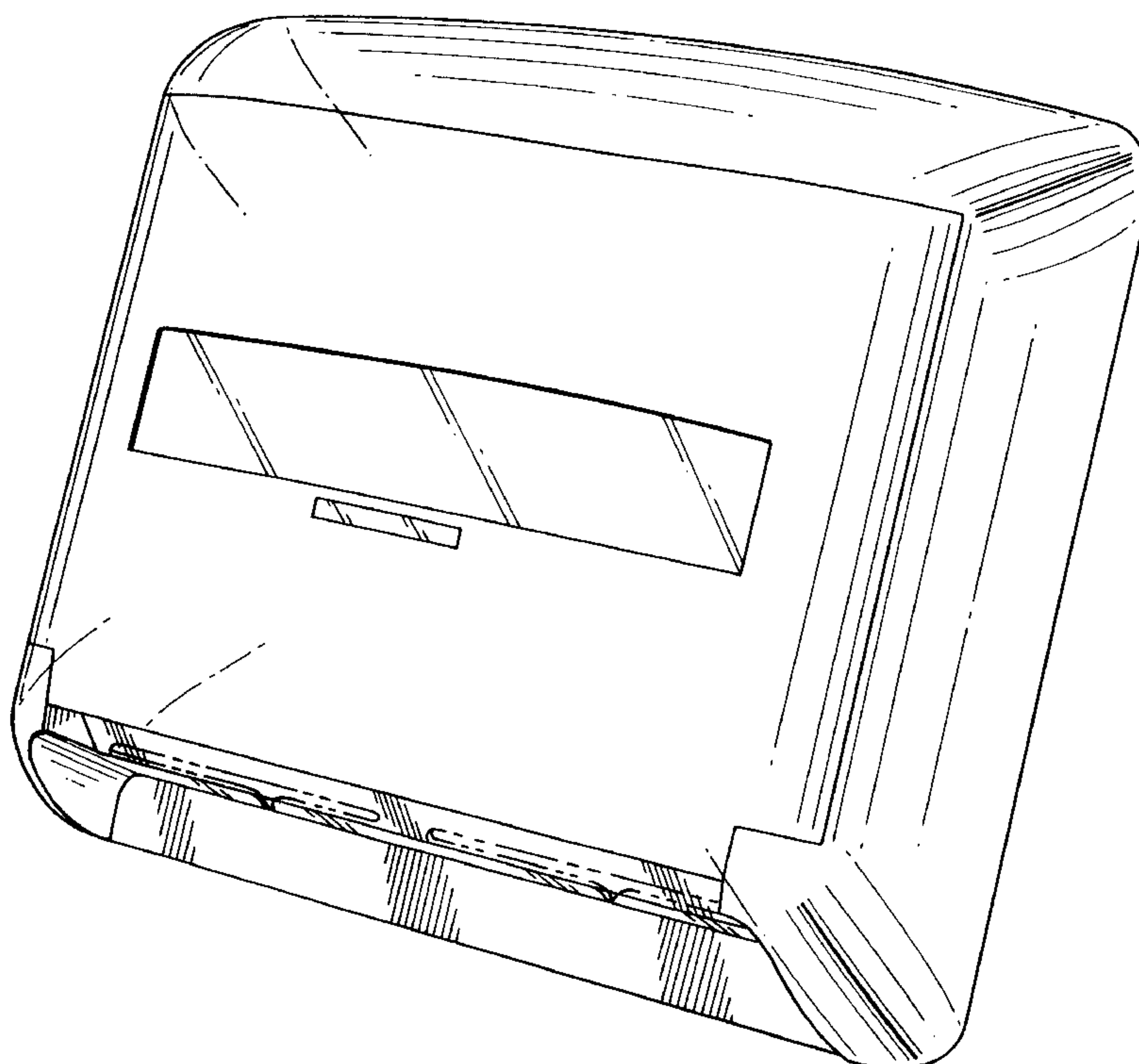
[57] **CLAIM**

The ornamental design for a “paper towel dispenser,” as shown and described.

DESCRIPTION

FIG. 1 is a perspective view of my new design; FIG. 2 is a front elevational view; FIG. 3 is a rear elevational view; FIG. 4 is right side elevational view; FIG. 5 is a left side elevational view; FIG. 6 is a top plan view; and, FIG. 7 is a bottom plan view. Any broken lines in the drawings depict environment only and form no part of the claimed design.

1 Claim, 5 Drawing Sheets



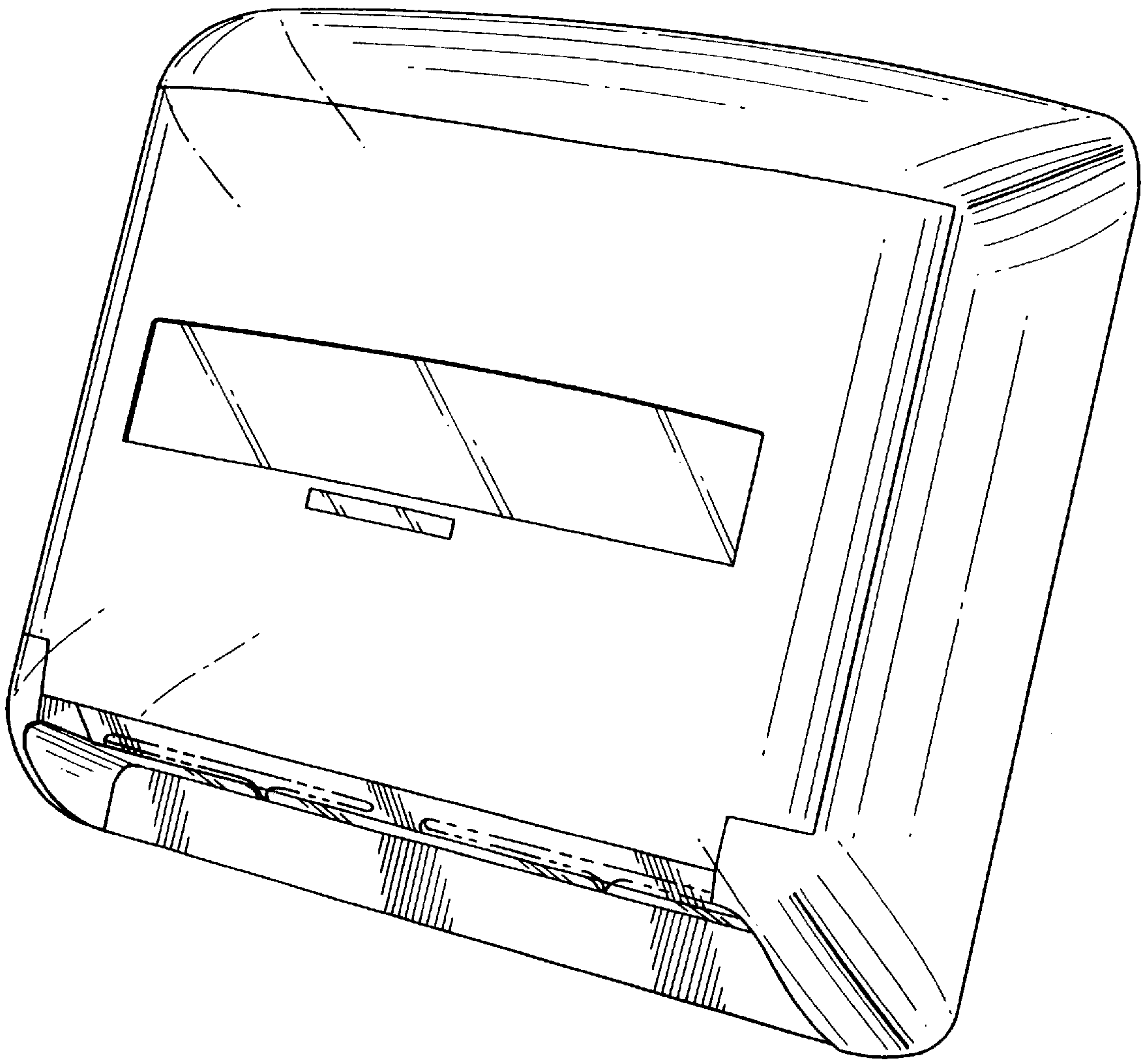


FIG. 1

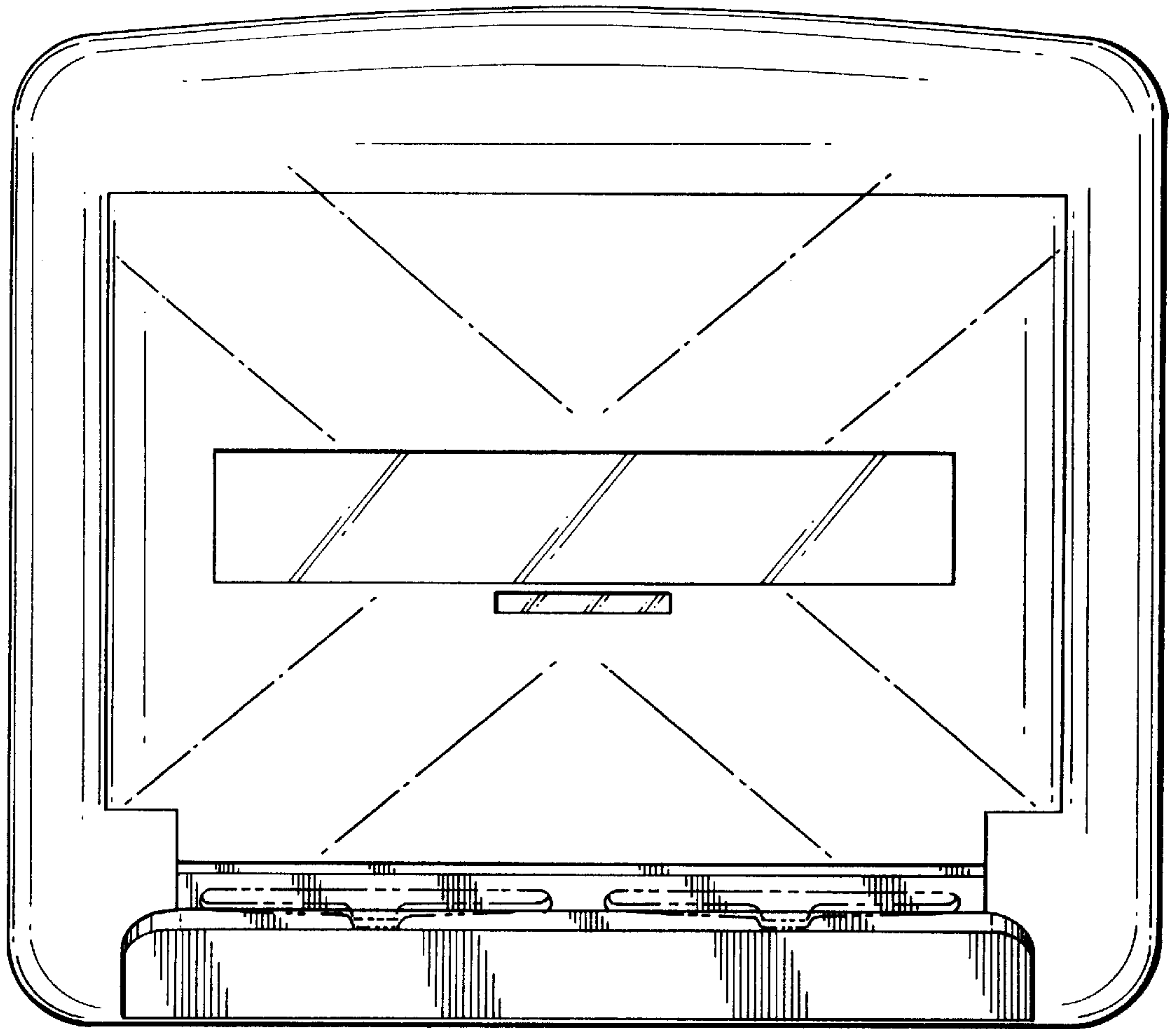


FIG. 2

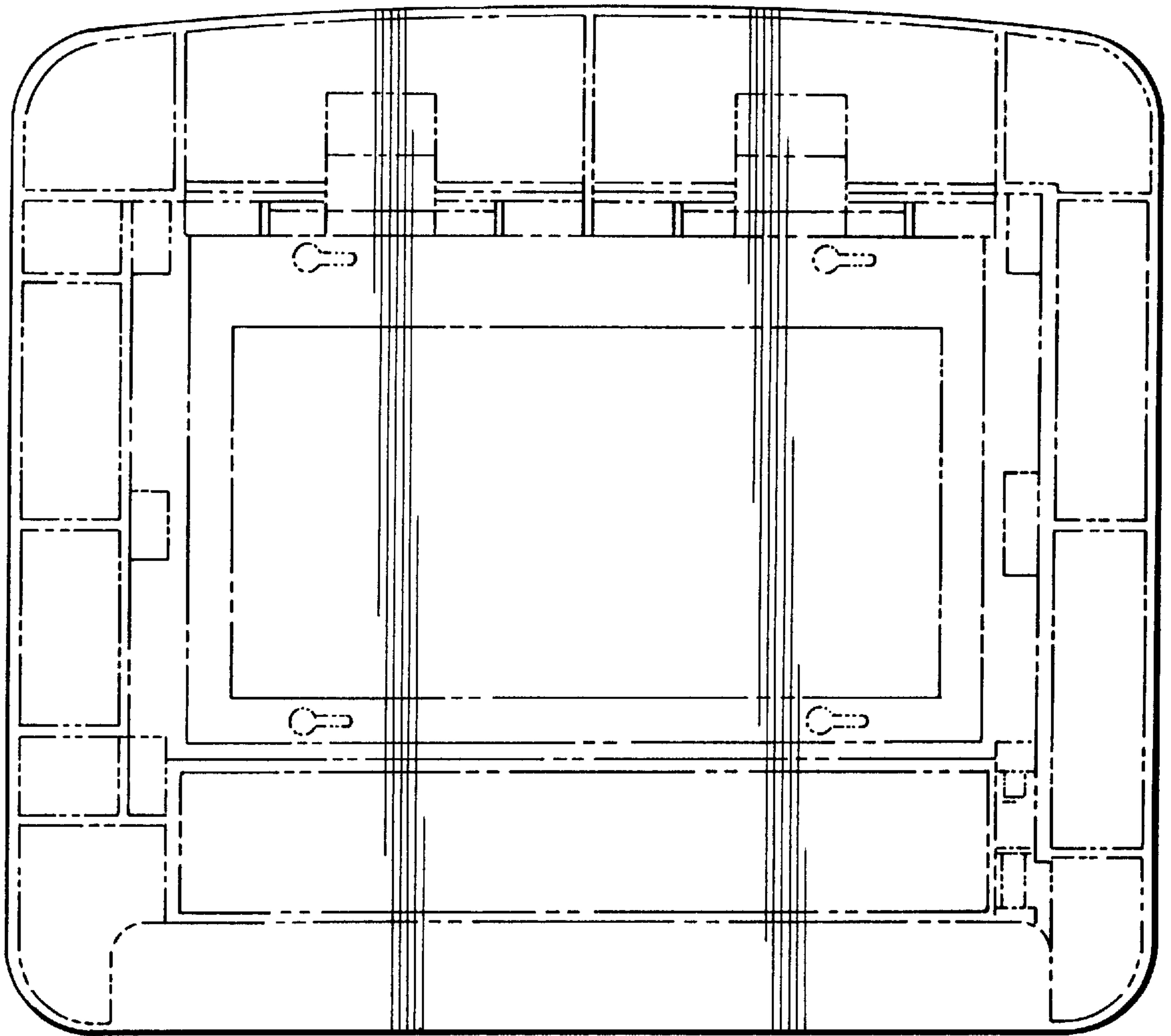


FIG. 3

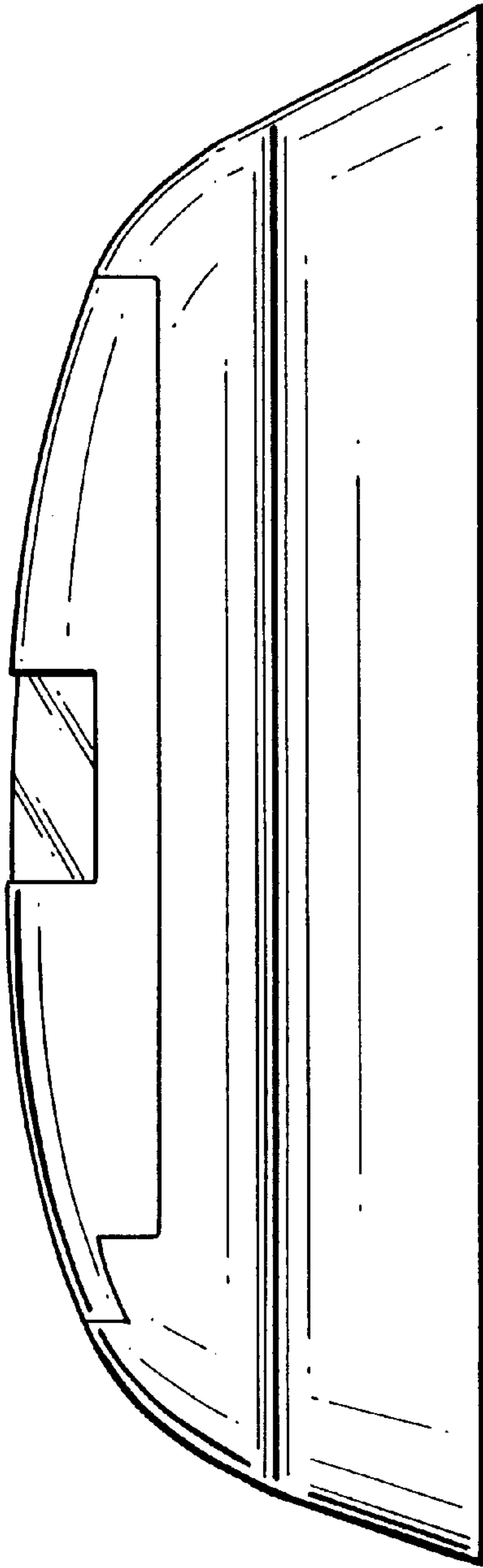


FIG. 4

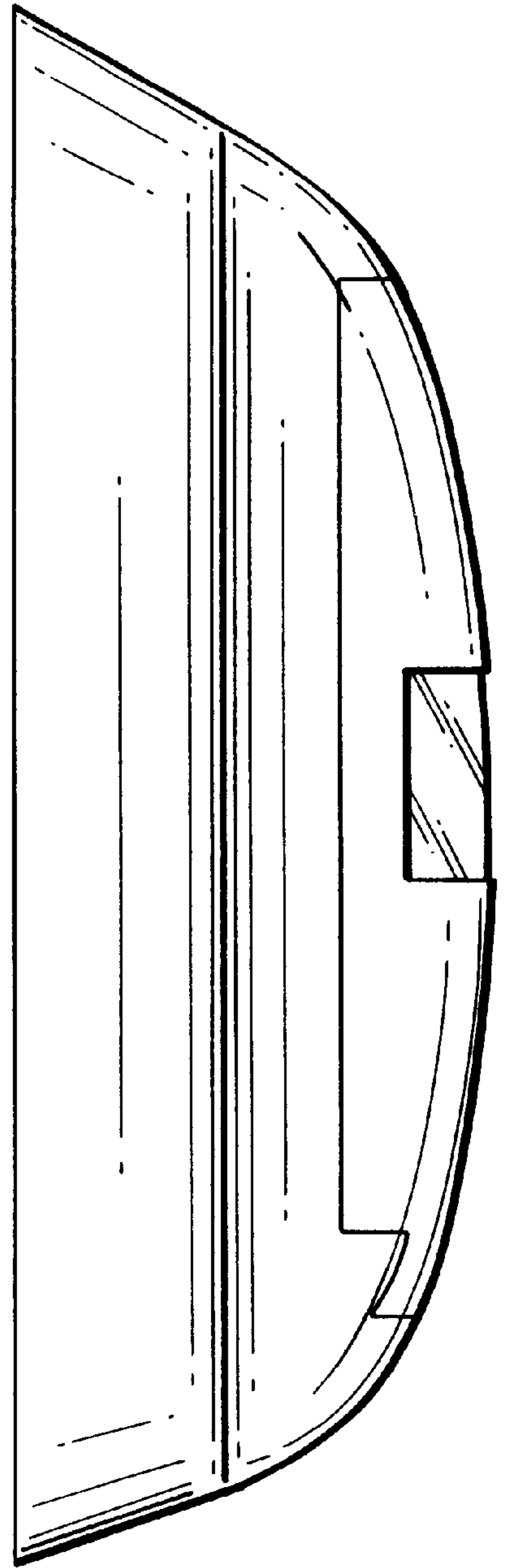


FIG. 5

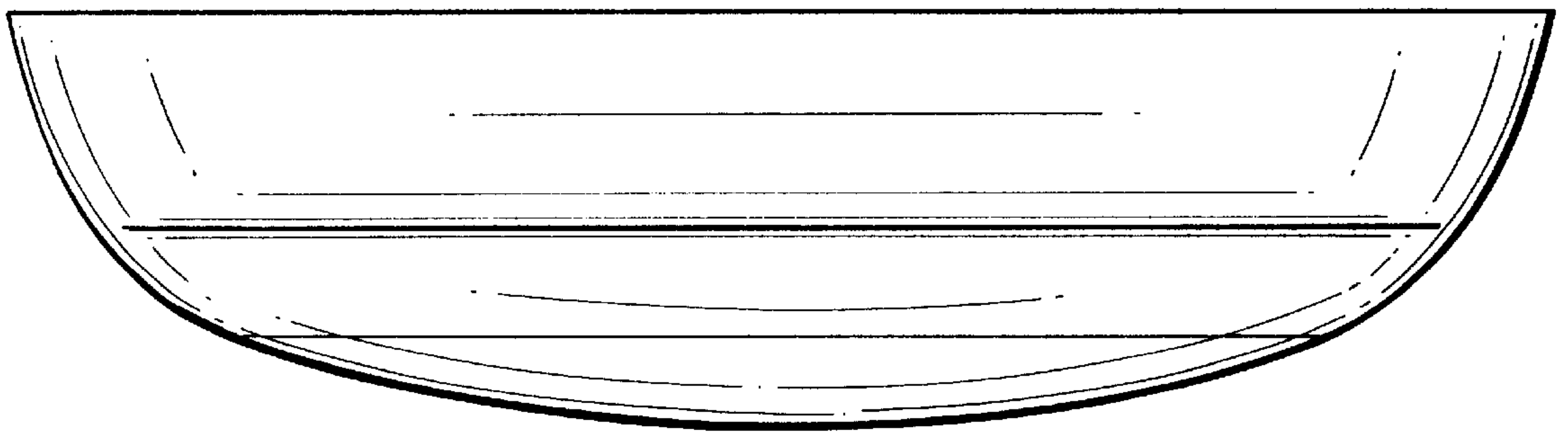


FIG. 6

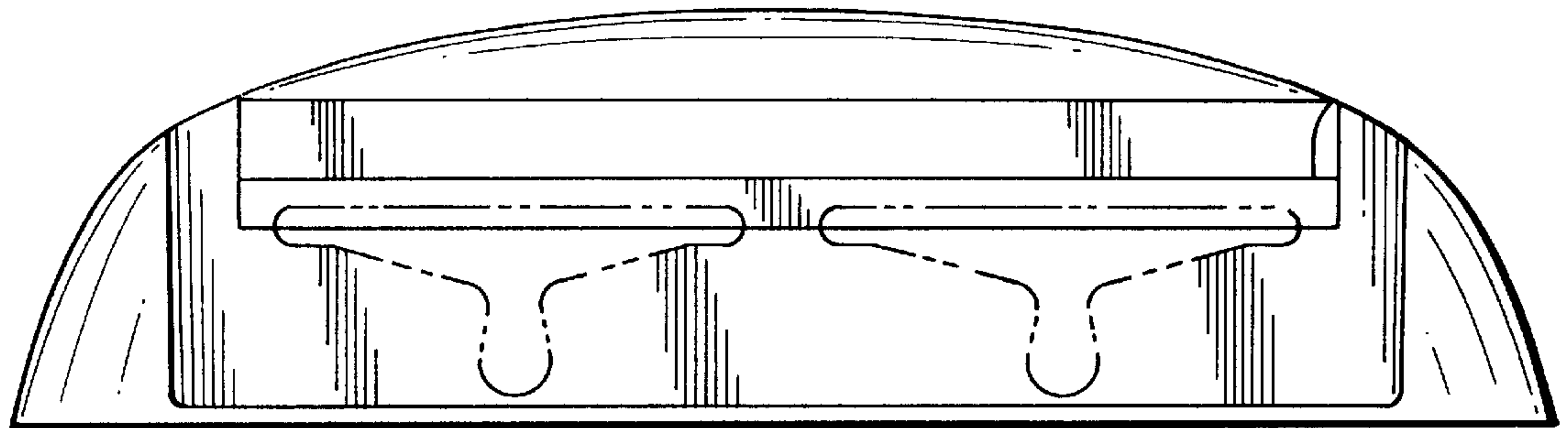


FIG. 7