



US00D426409S

United States Patent [19]
Clark et al.

[11] **Patent Number: Des. 426,409**
[45] **Date of Patent: ** Jun. 13, 2000**

[54] **RECLINER CHAIR TRAY**

Attorney, Agent, or Firm—Stan Jones, Patents

[76] Inventors: **Harold Clark**, P.O. Box 133; **Joseph Lockhart**, 209 Ladner Rd., both of Easton, Me. 04740; **David Weeks**, 169 Parkhurst Siding Rd., Presque Isle, Me. 04769

[57] **CLAIM**

The ornamental design for a recliner chair tray, as shown and described.

[**] Term: **14 Years**

DESCRIPTION

[21] Appl. No.: **29/107,075**

FIG. 1 is a front perspective view of our new recliner chair tray;

[22] Filed: **Jun. 25, 1999**

FIG. 2 is a bottom perspective view of the recliner chair tray of FIG. 1;

[51] **LOC (7) Cl.** **06-06**

[52] **U.S. Cl.** **D6/511; D6/406.5**

[58] **Field of Search** D6/480-489, 511, D6/509, 429, 406.3, 406.6, 418; 108/161, 43; 297/148, 153; D7/698, 550.1

FIG. 3 is a front perspective view of our new recliner chair tray showing the lounge chair environment in dashed lines, which dashed line portions form no part of my invention;

FIG. 4 is a view taken from the rear of our new design of FIG. 1;

FIG. 5 is a front view of our new design of FIG. 1;

FIG. 6 is a side view of our new design of FIG. 1, with the other side being the same;

FIG. 7 is a bottom plan view of the recliner chair tray of our FIG. 1; and,

FIG. 8 is a top plan view of our FIG. 1.

The broken lines in FIGS. 1 and 8 are for environmental purposes only and form no part of the claimed design.

[56] **References Cited**

U.S. PATENT DOCUMENTS

D. 315,463	3/1991	Spiegel	D6/511
D. 356,471	3/1995	Corsi	D7/553.5
D. 380,106	6/1997	Brotherston	D6/406.5
4,989,846	2/1991	Quinn	269/54.5

Primary Examiner—Janice E. Seeger

1 Claim, 3 Drawing Sheets

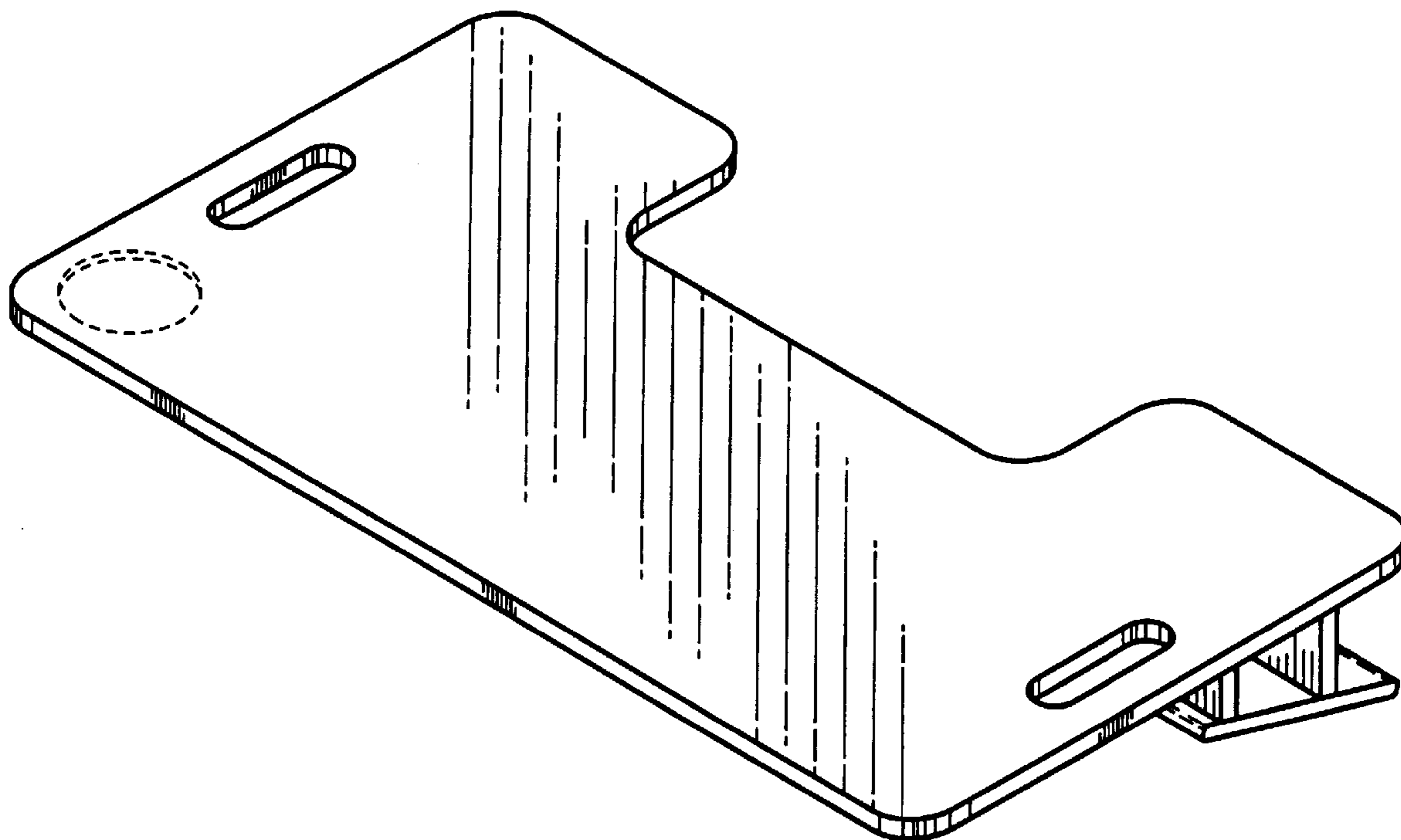


Fig. 1

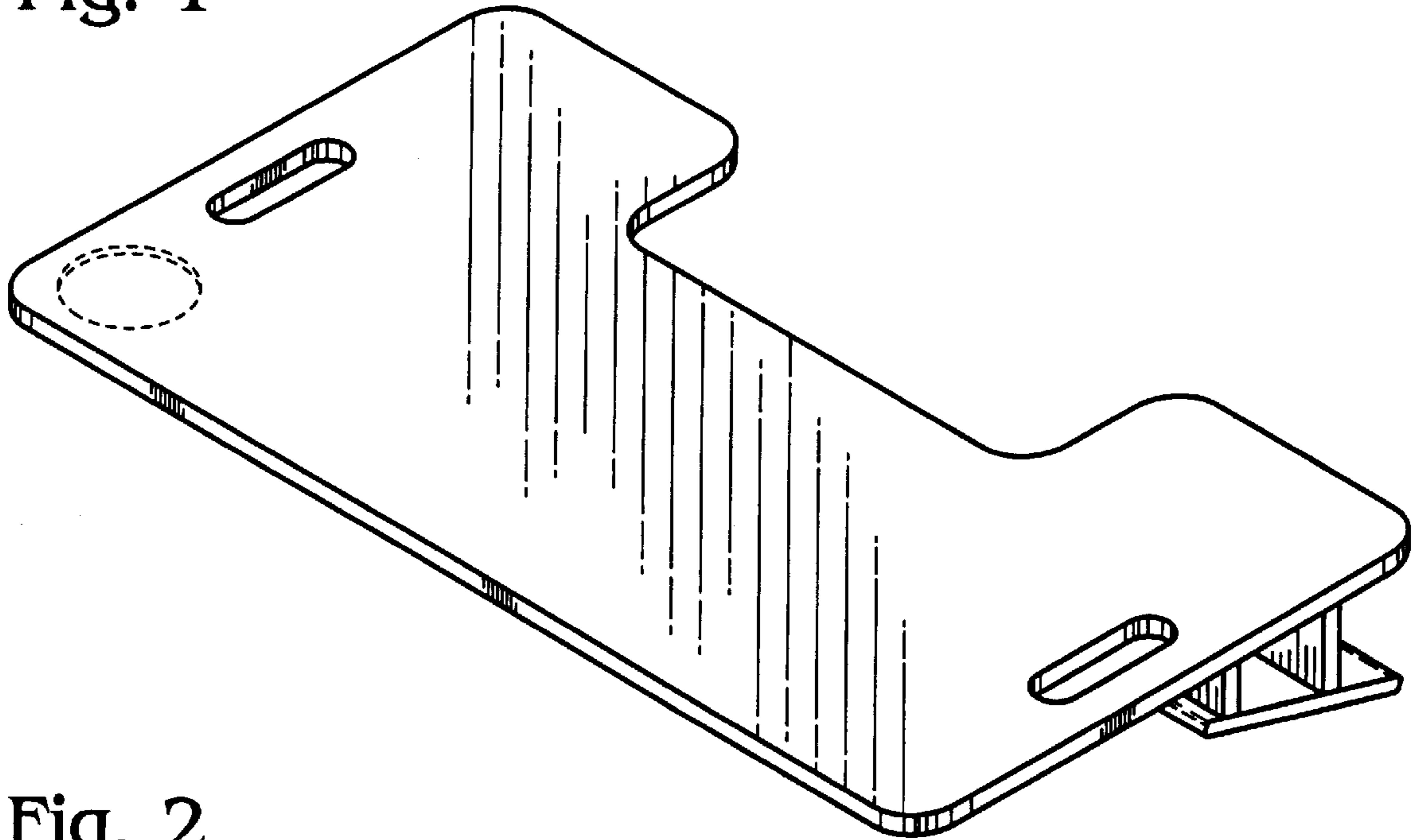


Fig. 2

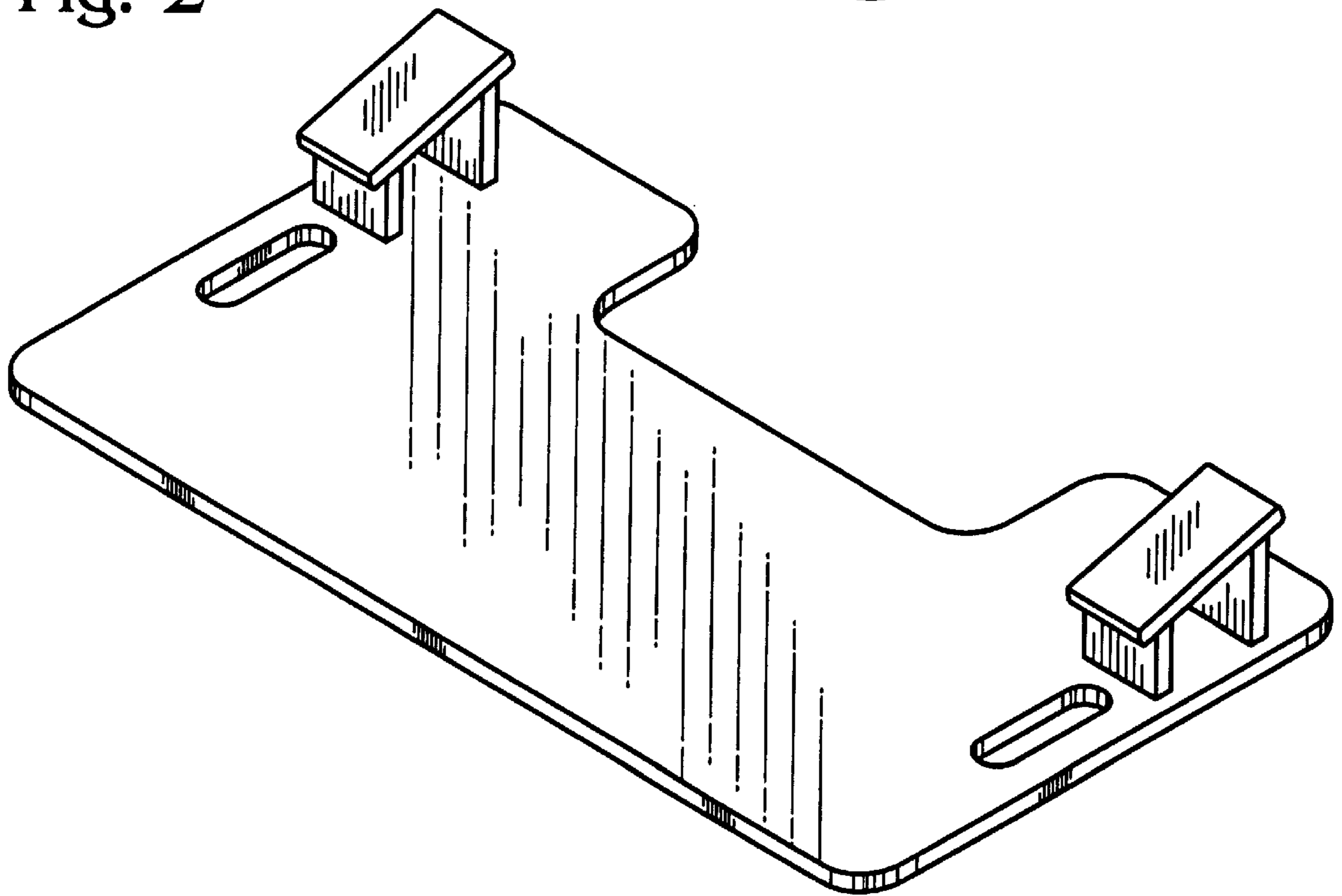


Fig. 3

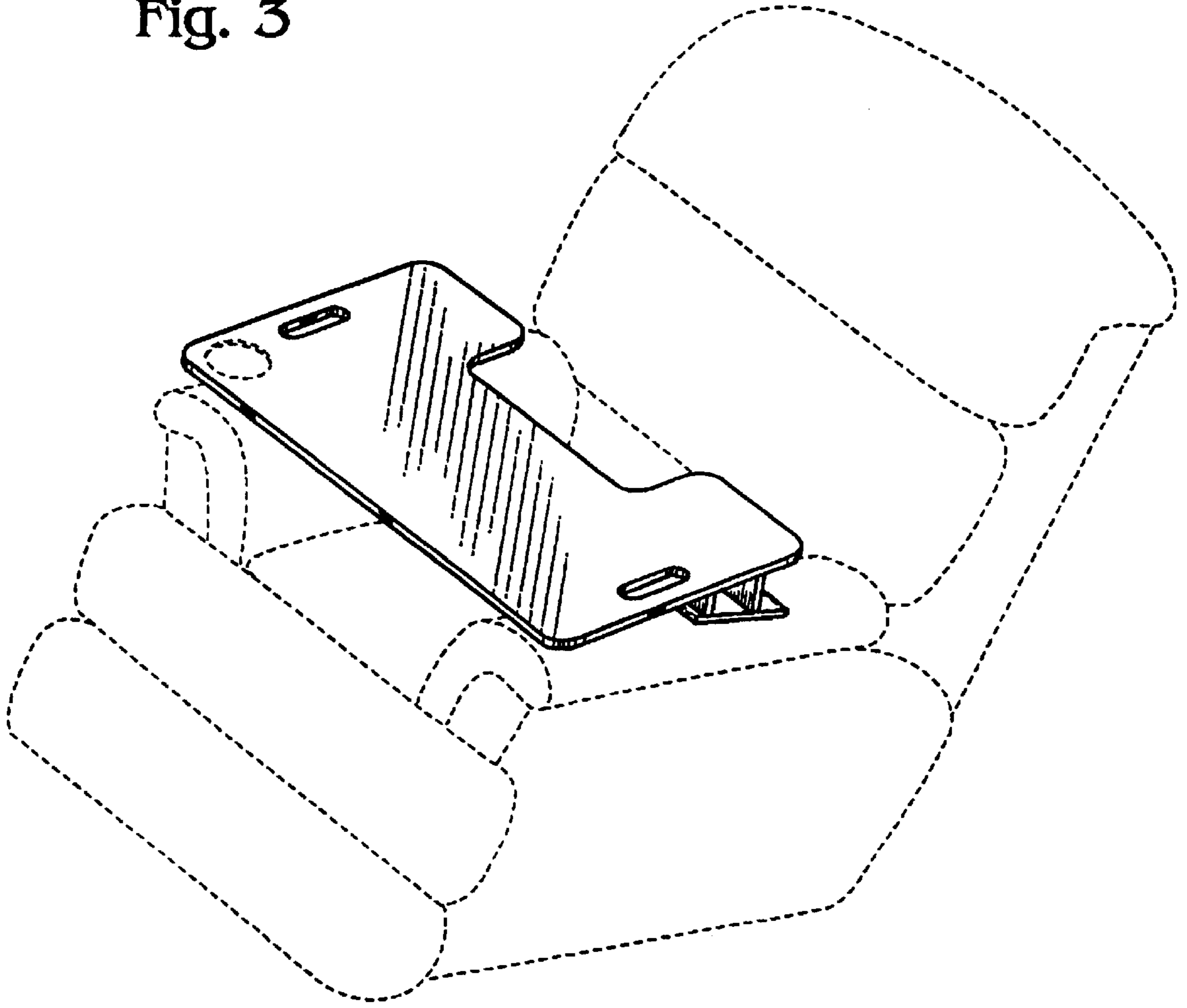


Fig. 4



Fig. 5



Fig. 6



Fig. 7

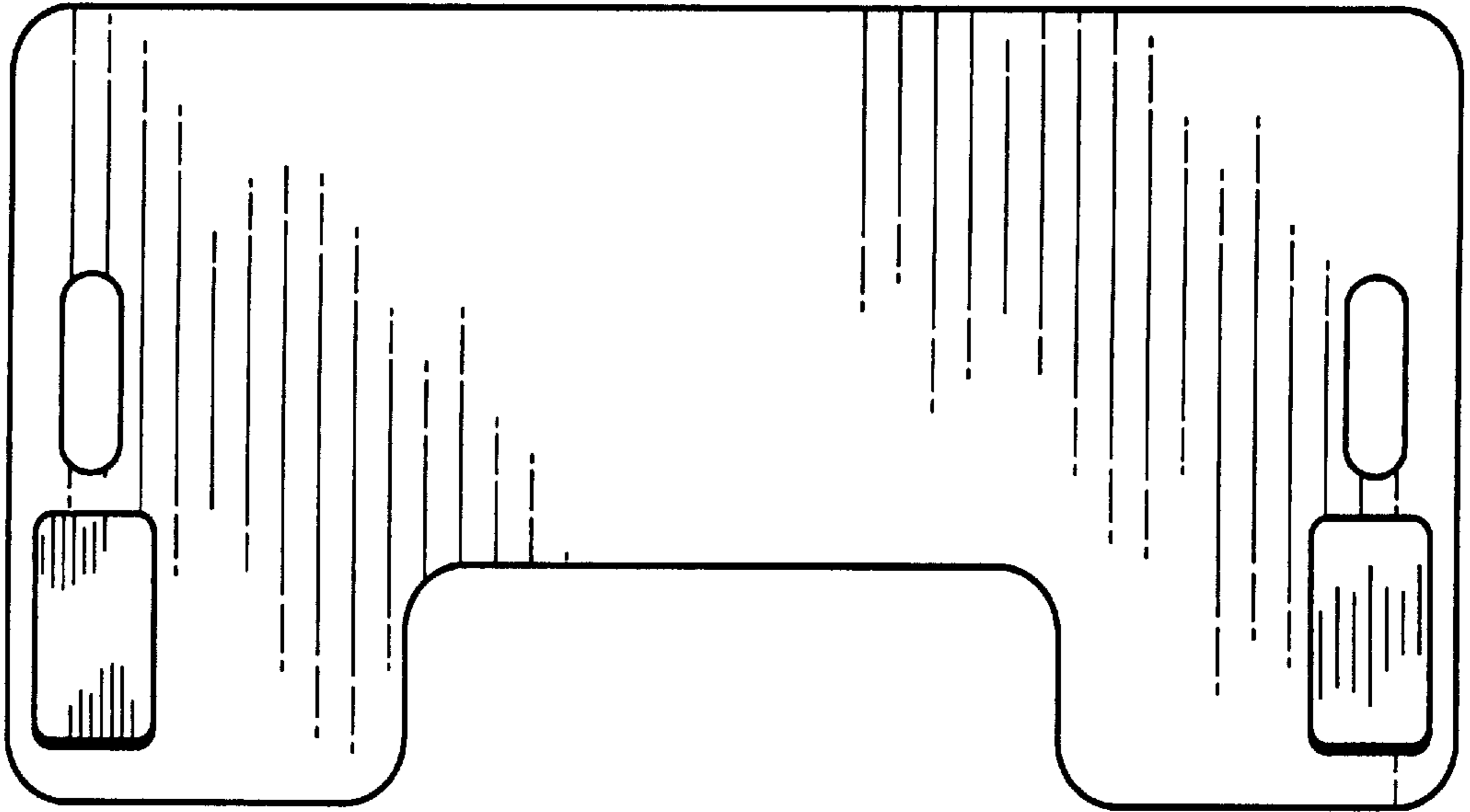


Fig. 8

