



US00D426408S

# United States Patent [19]

Su

[11] Patent Number: **Des. 426,408**

[45] Date of Patent: **\*\* Jun. 13, 2000**

[54] **ARMREST**

[75] Inventor: **Tung-Hua Su**, Tainan Hsien, Taiwan

[73] Assignee: **Jorng Well Industrial Co., Ltd.**,  
Tainan Hsien, Taiwan

[\*\*] Term: **14 Years**

[21] Appl. No.: **29/112,979**

[22] Filed: **Oct. 27, 1999**

[51] **LOC (7) Cl.** ..... **06-06**

[52] **U.S. Cl.** ..... **D6/501; D6/366**

[58] **Field of Search** ..... D6/334, 335, 364,  
D6/365, 366, 367, 371, 372, 373, 379,  
500, 501, 502; 297/411.2, 411.27, 411,  
28

[56] **References Cited**

**U.S. PATENT DOCUMENTS**

- D. 366,792 2/1996 McDiarmid ..... D6/501
- D. 382,737 8/1997 Pimental et al. .... D6/501

- D. 382,738 8/1997 Chen ..... D6/501
- D. 388,269 12/1997 Tedesco et al. .... D6/501
- D. 403,185 12/1998 Tseng ..... D6/501
- D. 408,182 4/1999 Tseng ..... D6/501
- D. 410,159 5/1999 Wu ..... D6/501
- D. 417,106 11/1999 Lee ..... D6/501

*Primary Examiner*—Gary D. Watson  
*Attorney, Agent, or Firm*—Rosenberg, Klein & Lee

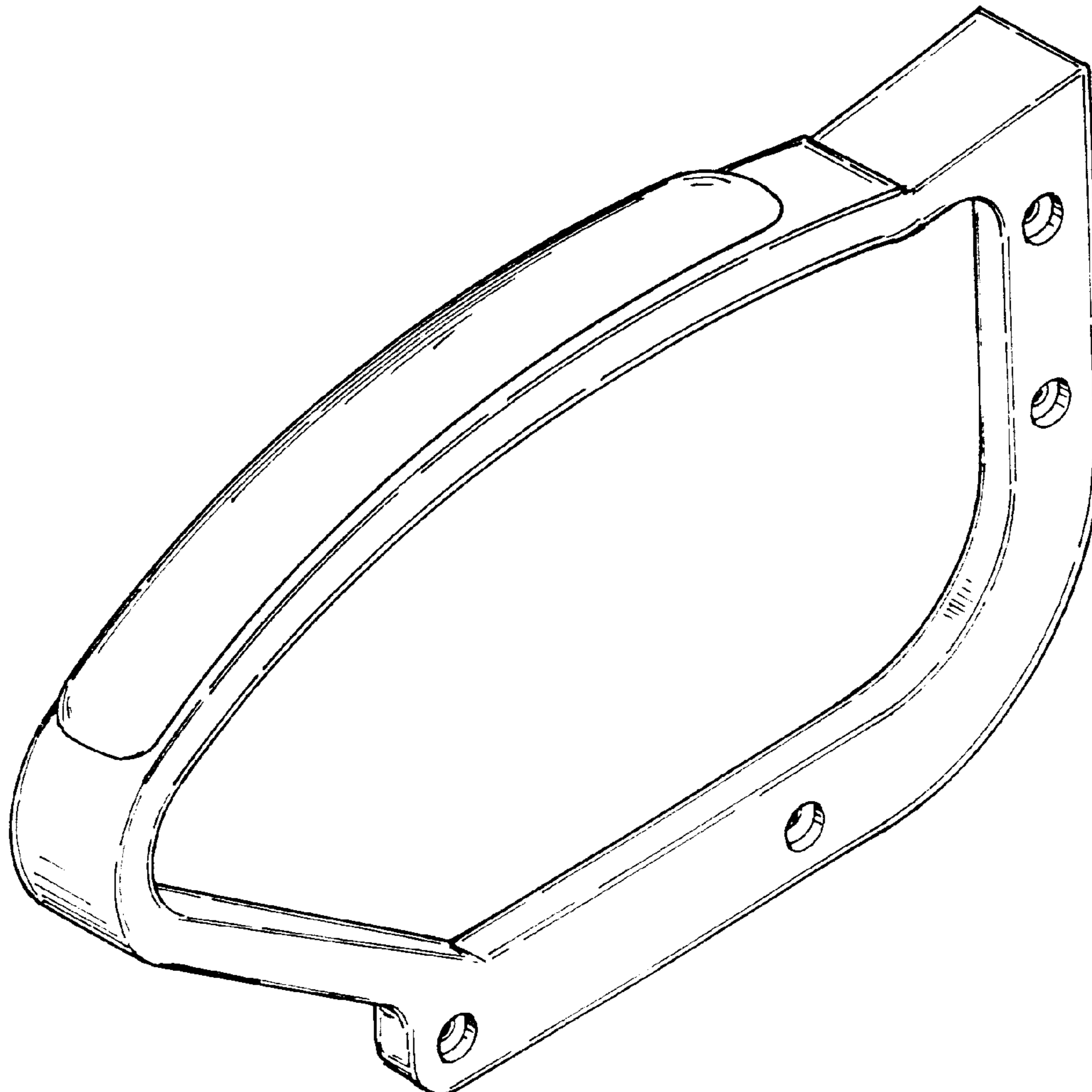
[57] **CLAIM**

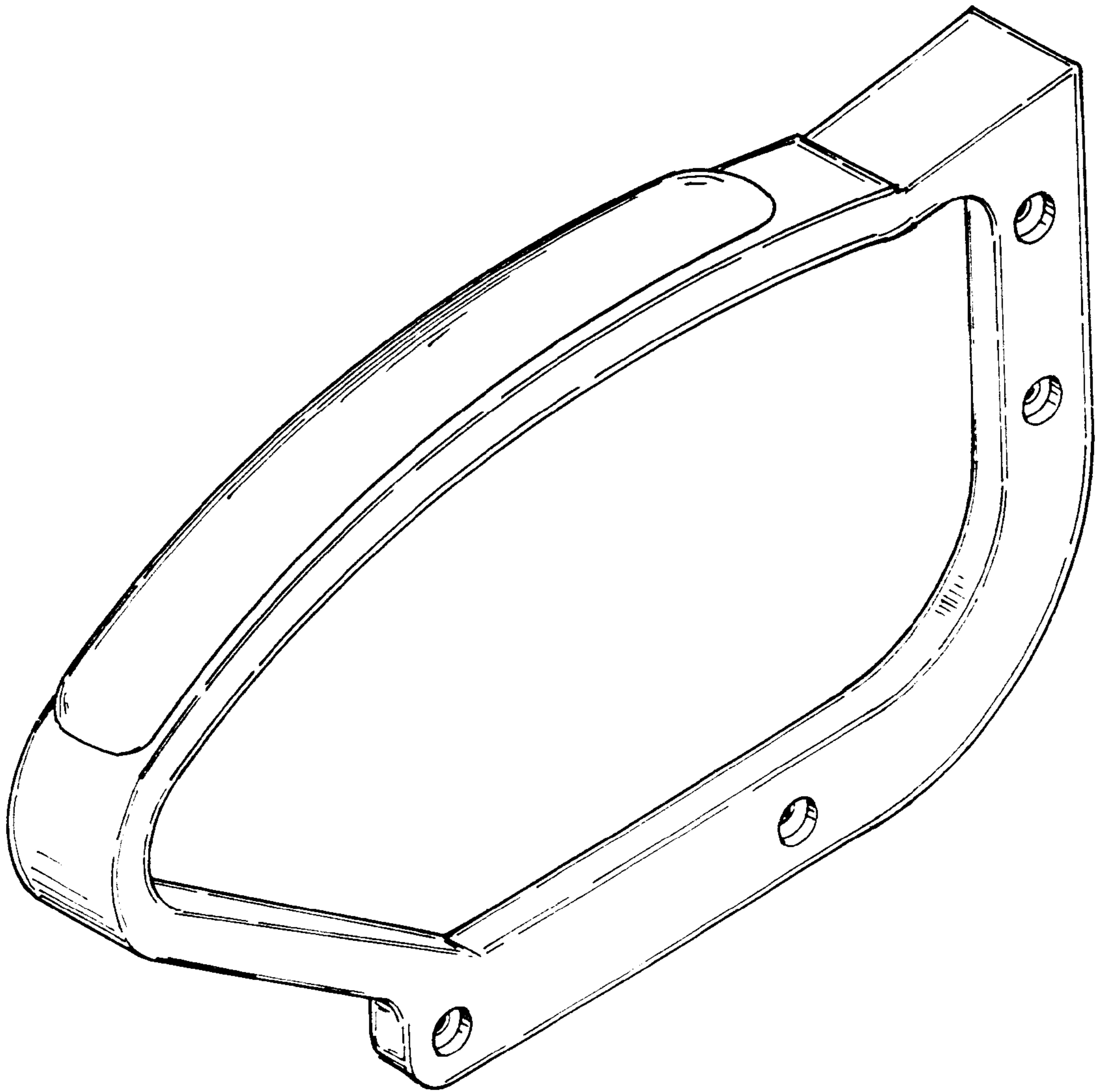
The ornamental design for an armrest, as shown and described.

**DESCRIPTION**

FIG. 1 is a perspective view of an armrest showing my new design;  
FIG. 2 is a front elevational view thereof;  
FIG. 3 is a rear elevational view thereof;  
FIG. 4 is a left side elevational view thereof;  
FIG. 5 is a right side elevational view thereof;  
FIG. 6 is a top plan view thereof; and,  
FIG. 7 is a bottom plan view thereof.

**1 Claim, 4 Drawing Sheets**





F I G . 1

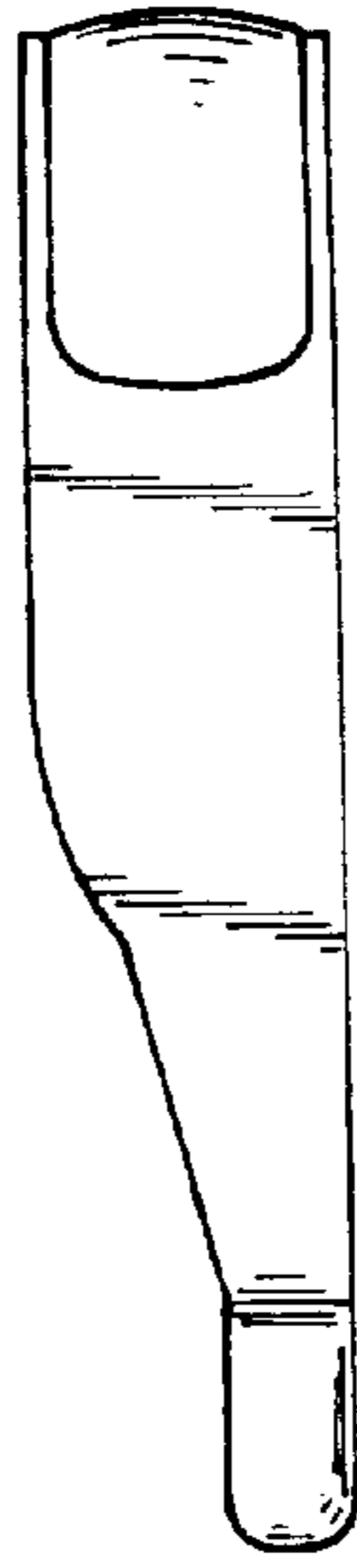


FIG. 2

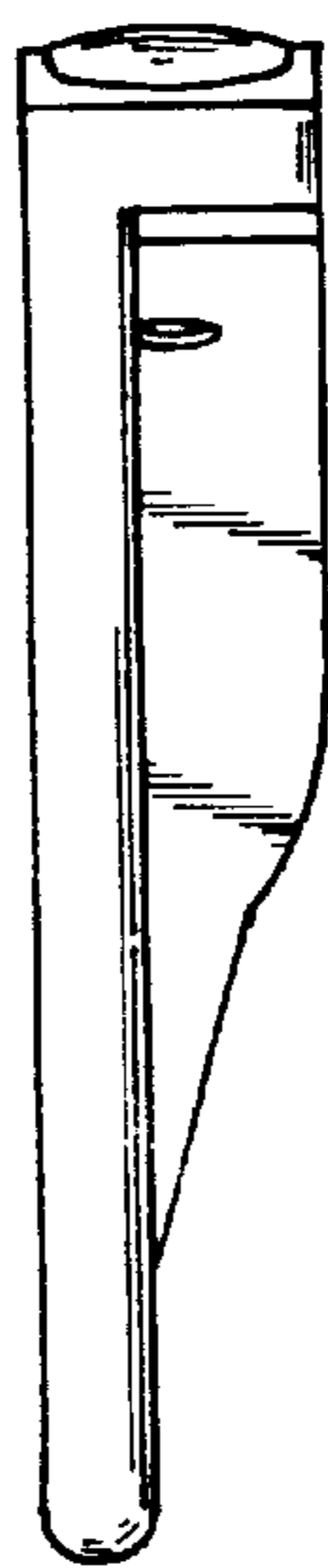


FIG. 3

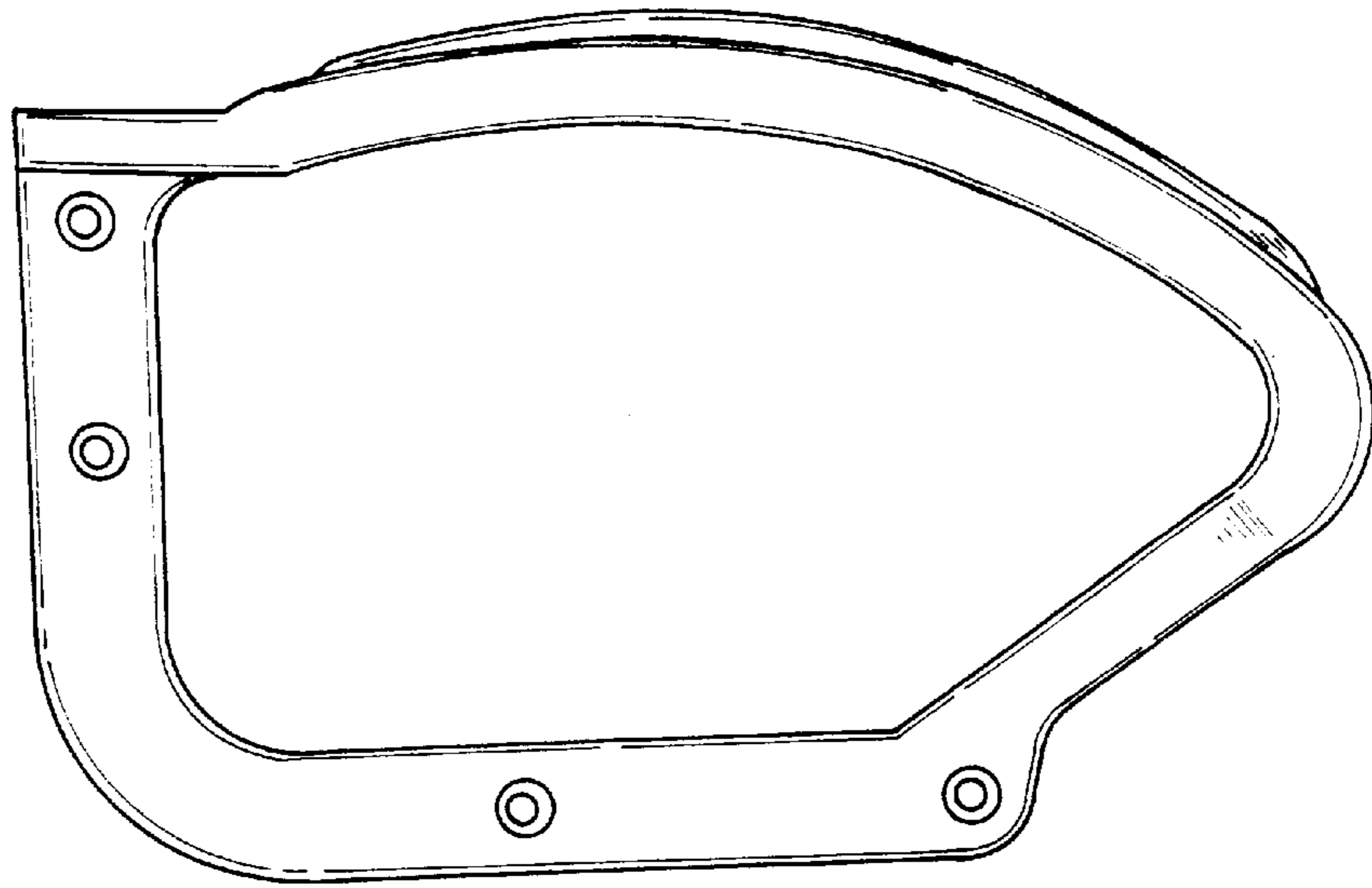


FIG. 4

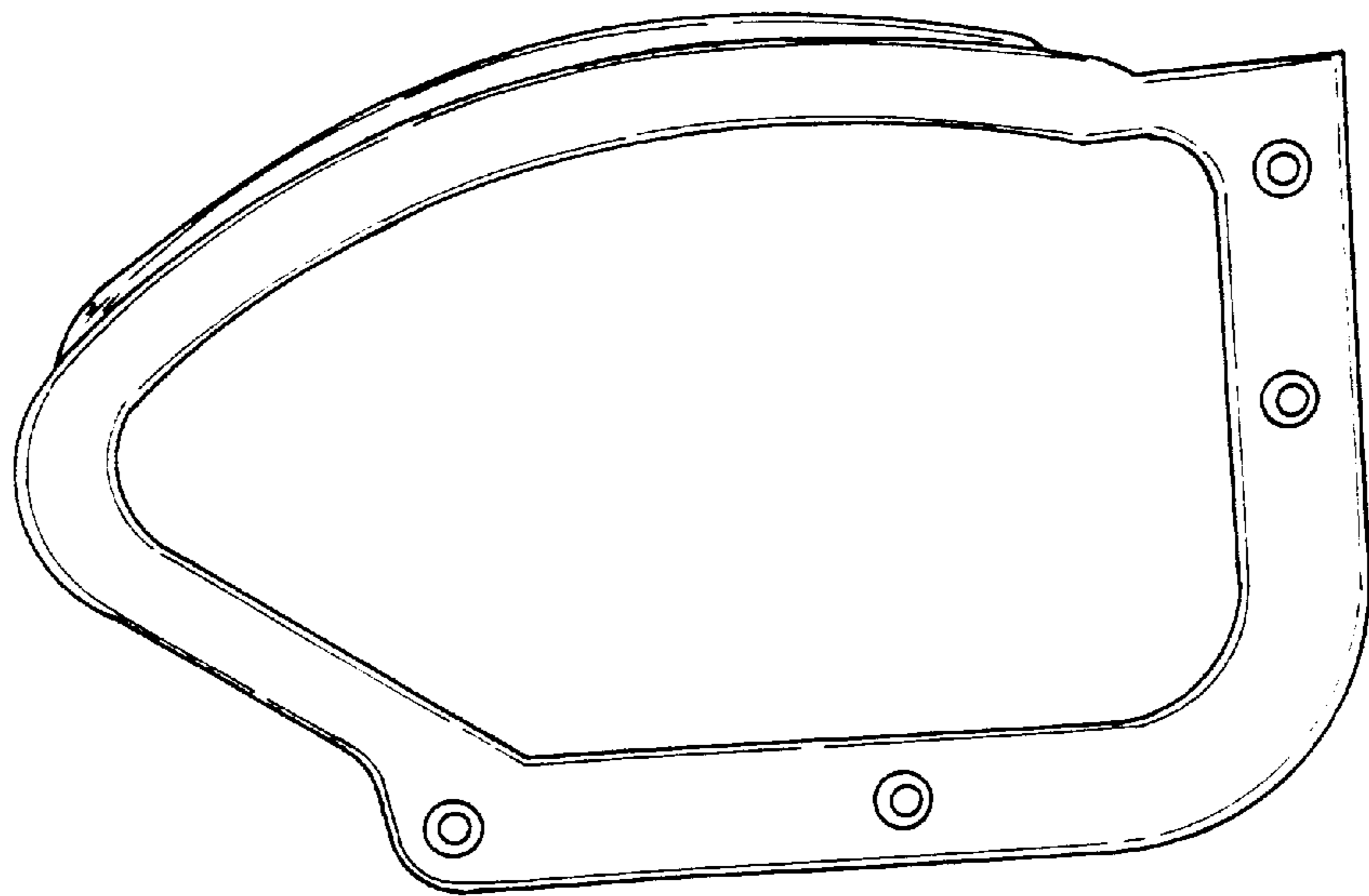


FIG. 5

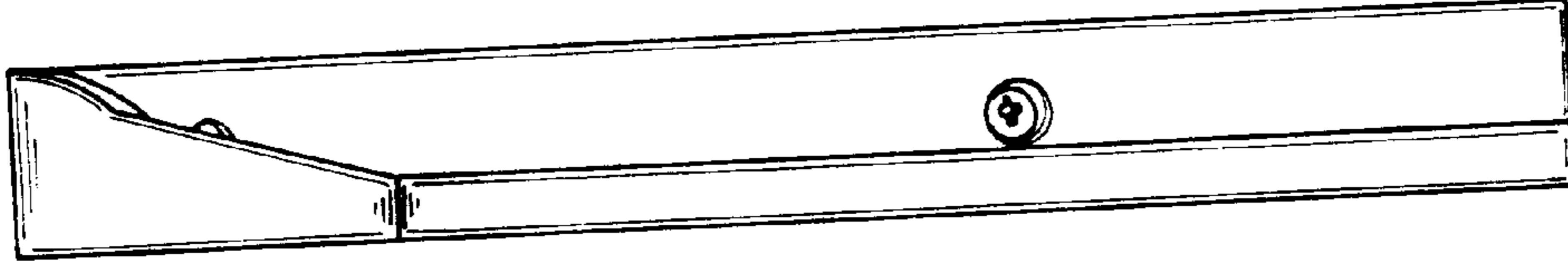


FIG. 7

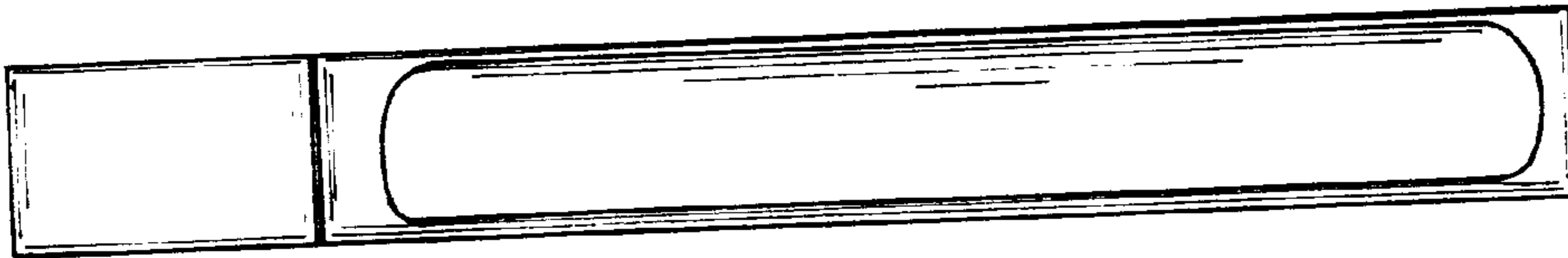


FIG. 6