



US00D426405S

**United States Patent** [19]  
**Newhouse**

[11] **Patent Number: Des. 426,405**  
[45] **Date of Patent: \*\* Jun. 13, 2000**

[54] **TABLE**

[75] Inventor: **Thomas J. Newhouse**, Grand Rapids, Mich.

[73] Assignee: **The Worden Company**, Holland, Mich.

[\*\*] Term: **14 Years**

[21] Appl. No.: **29/107,289**

[22] Filed: **Jun. 30, 1999**

[51] **LOC (7) Cl.** ..... **06-03**

[52] **U.S. Cl.** ..... **D6/480**

[58] **Field of Search** ..... D6/480-489, 495, D6/429; 108/153.1, 156, 157.1, 161; 248/188, 188.1, 188.8

[56] **References Cited**

**U.S. PATENT DOCUMENTS**

- D. 175,195 7/1955 Strong ..... D6/480
- D. 264,410 5/1982 Lange ..... D6/484
- D. 289,117 4/1987 Schmid ..... D6/484

- D. 353,286 12/1994 Hand ..... D6/480
- D. 395,771 7/1998 Kelly et al. .... D6/480

*Primary Examiner*—Janice E. Seeger  
*Attorney, Agent, or Firm*—Reising, Ethington, Barnes, Kisselle, Learman & McCulloch, PC

[57] **CLAIM**

The ornamental design for a table, as shown and described.

**DESCRIPTION**

FIG. 1 is a perspective view of a table showing my new design.

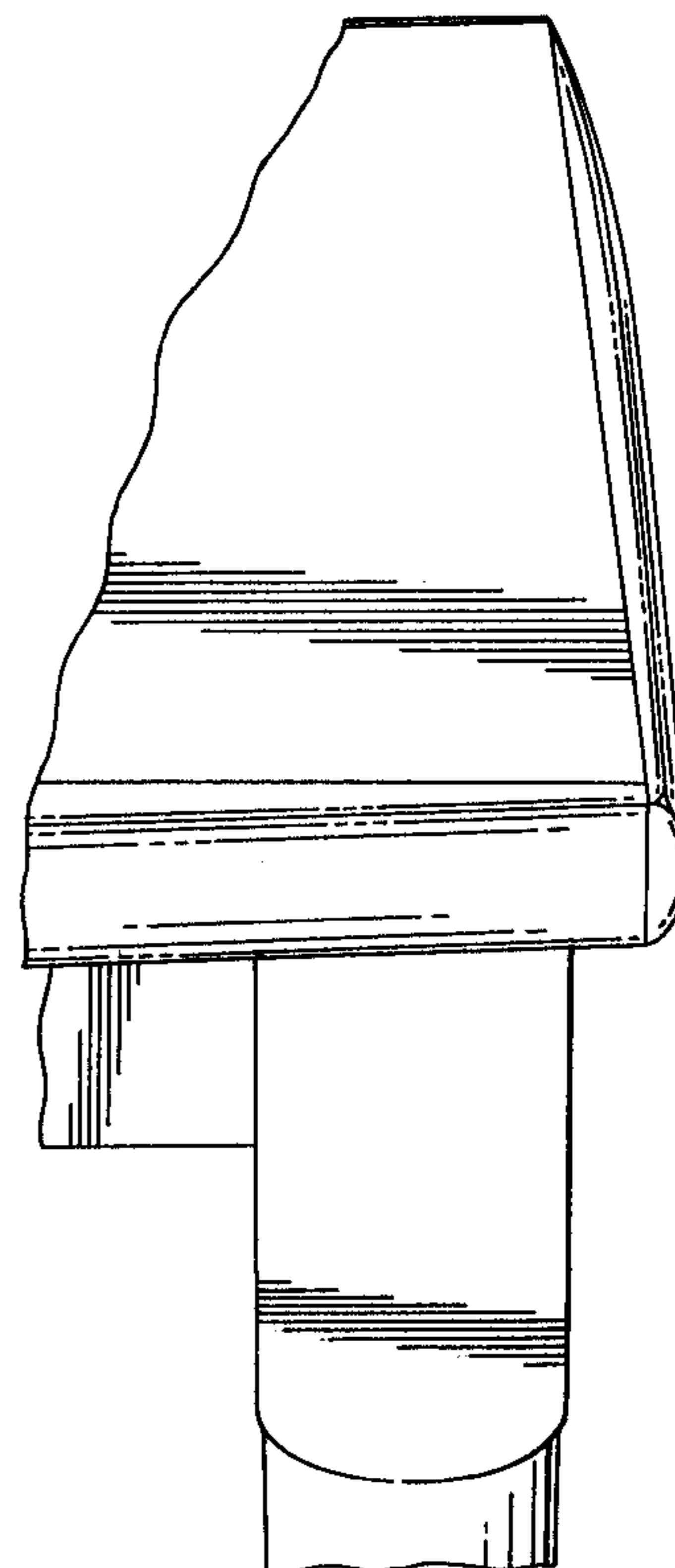
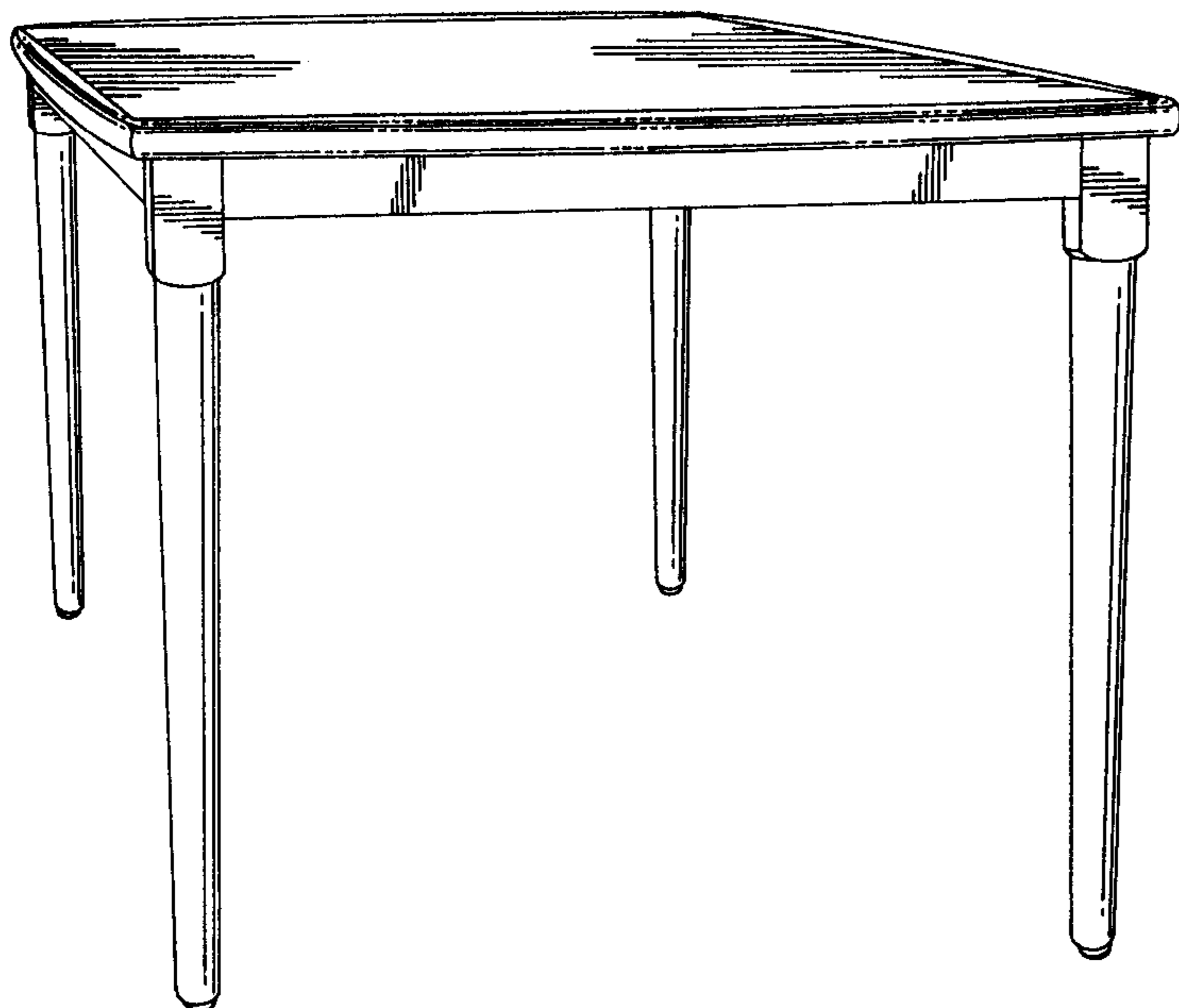
FIG. 2 is a fragmentary perspective view showing an upper portion of one of the legs at its juncture with the table top, the juncture of the upper portions of the remaining legs with the table top being identical to that shown.

FIG. 3 is a top plan view.

FIG. 4 is a front view, the rear being a mirror image of that shown; and,

FIG. 5 is a side view, the opposite side being a mirror image of that shown.

**1 Claim, 2 Drawing Sheets**



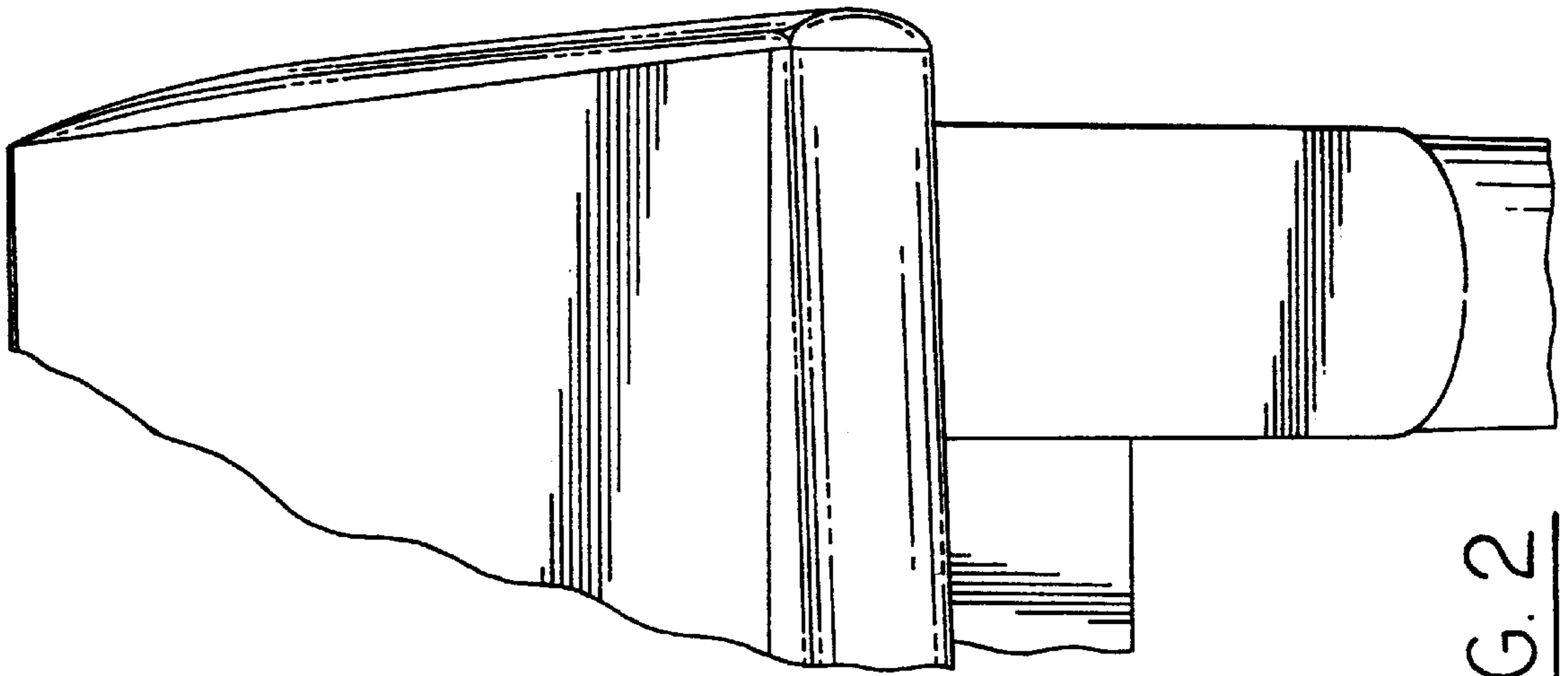


FIG. 2

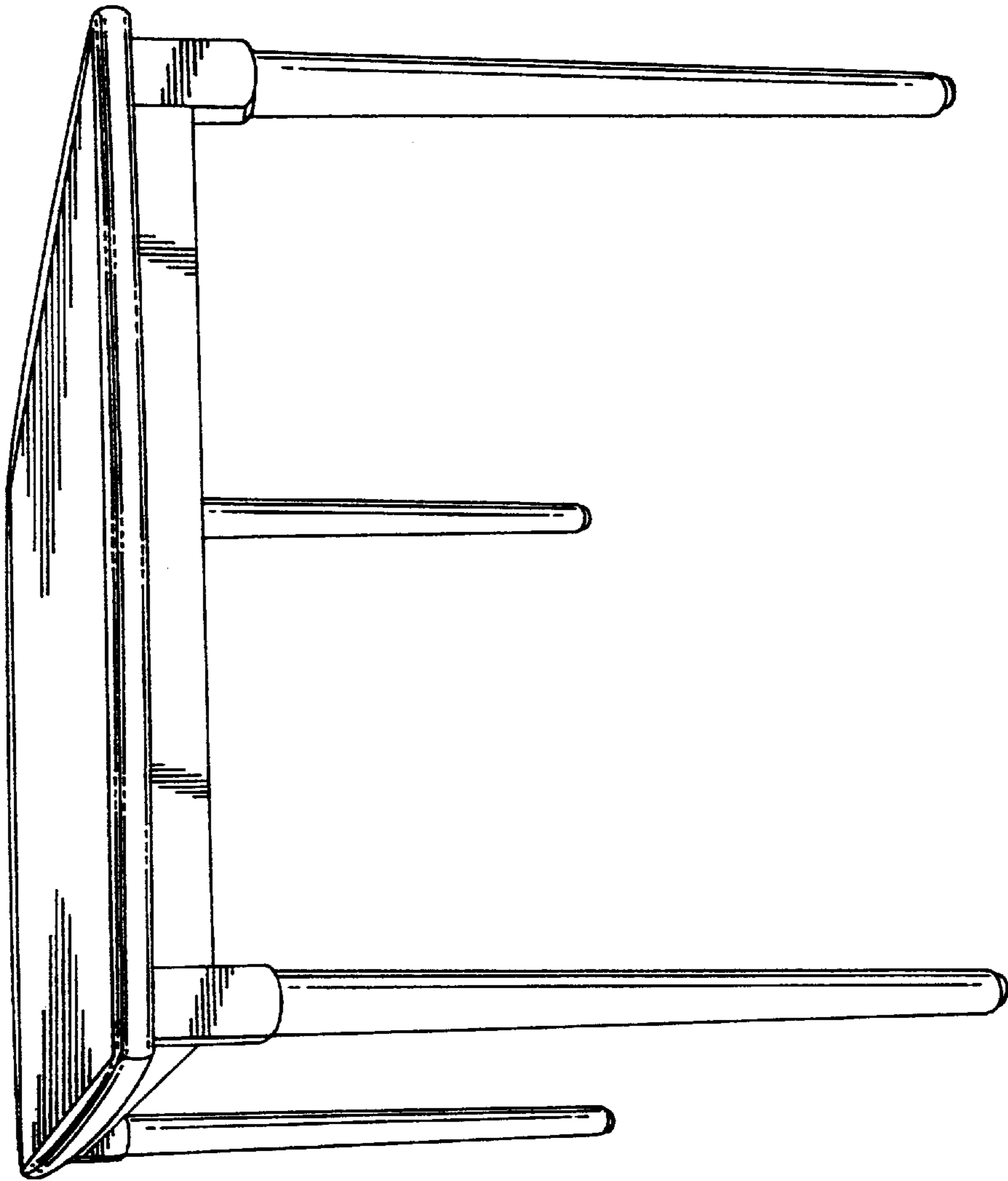


FIG. 1

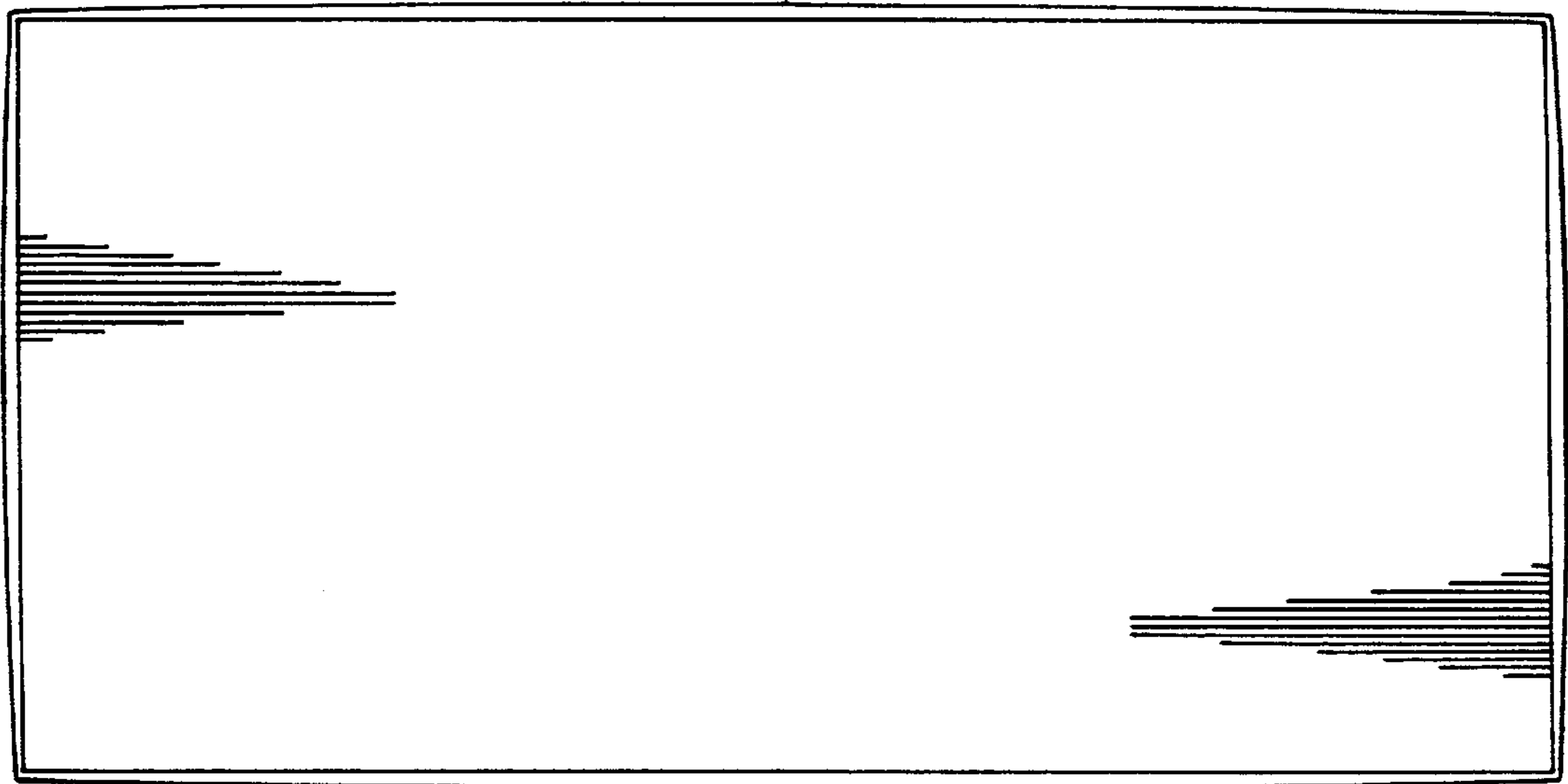


FIG. 3

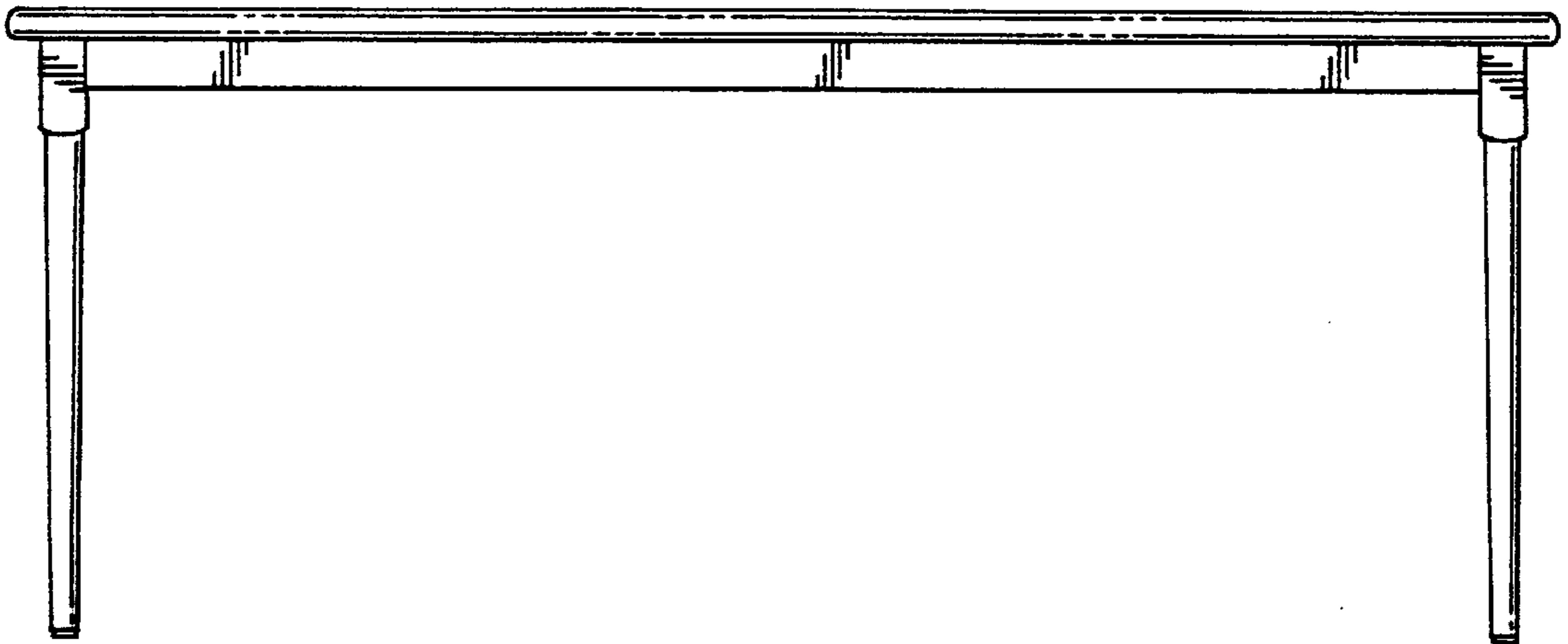


FIG. 4

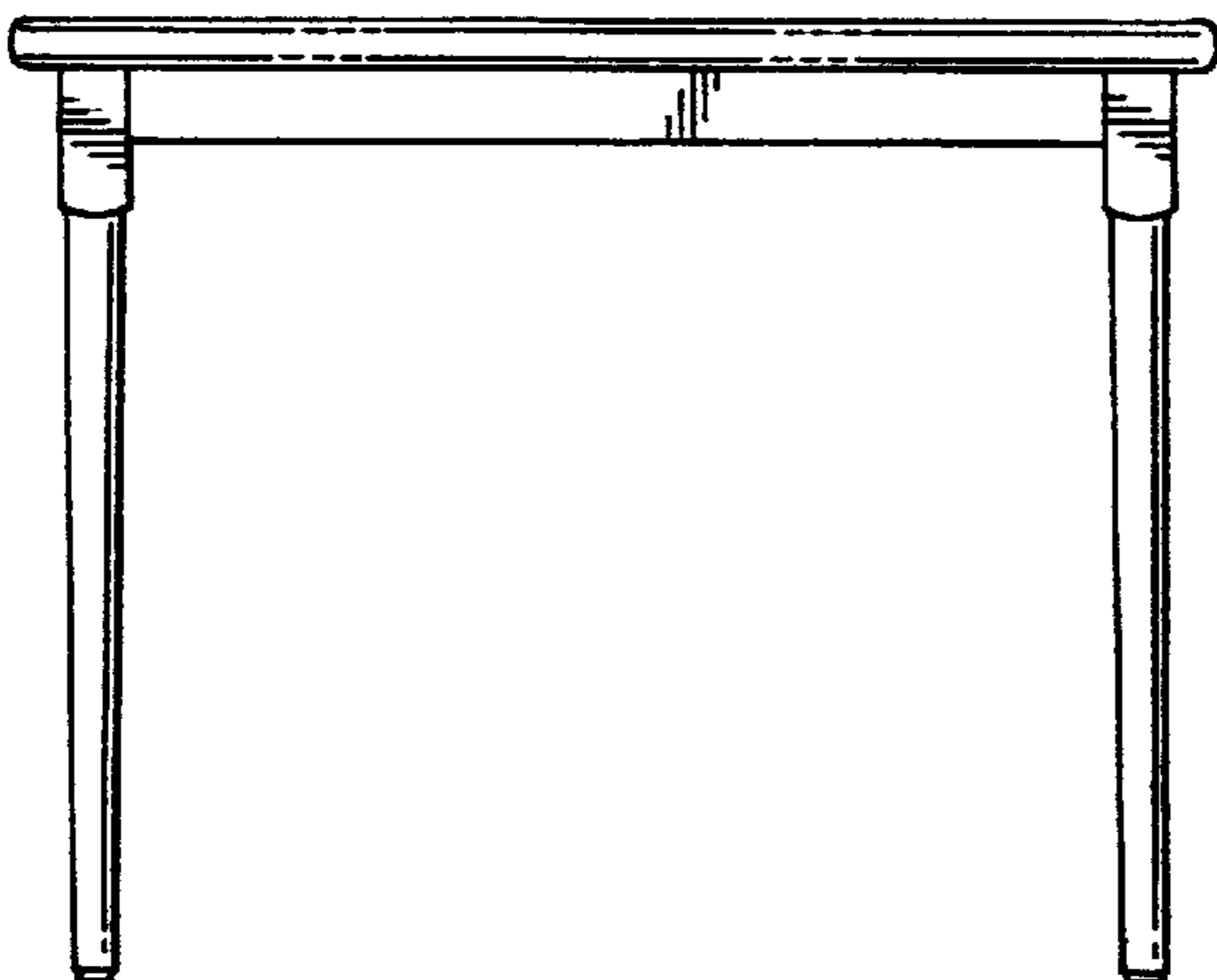


FIG. 5