



US00D426402S

United States Patent [19]
Rutledge

[11] **Patent Number: Des. 426,402**

[45] **Date of Patent: ** Jun. 13, 2000**

[54] **DISPLAY STADIUM**

[76] Inventor: **Reginald Rutledge**, 4901 Morris Heights Dr., Arlington, Tex. 76106

[**] Term: **14 Years**

[21] Appl. No.: **29/102,521**

[22] Filed: **Mar. 25, 1999**

[51] **LOC (7) Cl.** **06-04**

[52] **U.S. Cl.** **D6/474**

[58] **Field of Search** D6/396, 449, 455,
D6/460, 462, 464, 474; 108/101; 206/740;
211/13.1, 163; 312/107, 114

[56] **References Cited**

U.S. PATENT DOCUMENTS

D. 80,355	1/1930	Bartholdi	D6/474
541,060	6/1895	Arnold	206/740
2,528,838	11/1950	Martino	108/101
4,025,137	5/1977	Wylar	312/114
4,579,399	4/1986	Poltash	312/107

Primary Examiner—Cathron B. Matta
Attorney, Agent, or Firm—Gardere & Wynne, LLP;
Lawrence R. Youst

[57] **CLAIM**

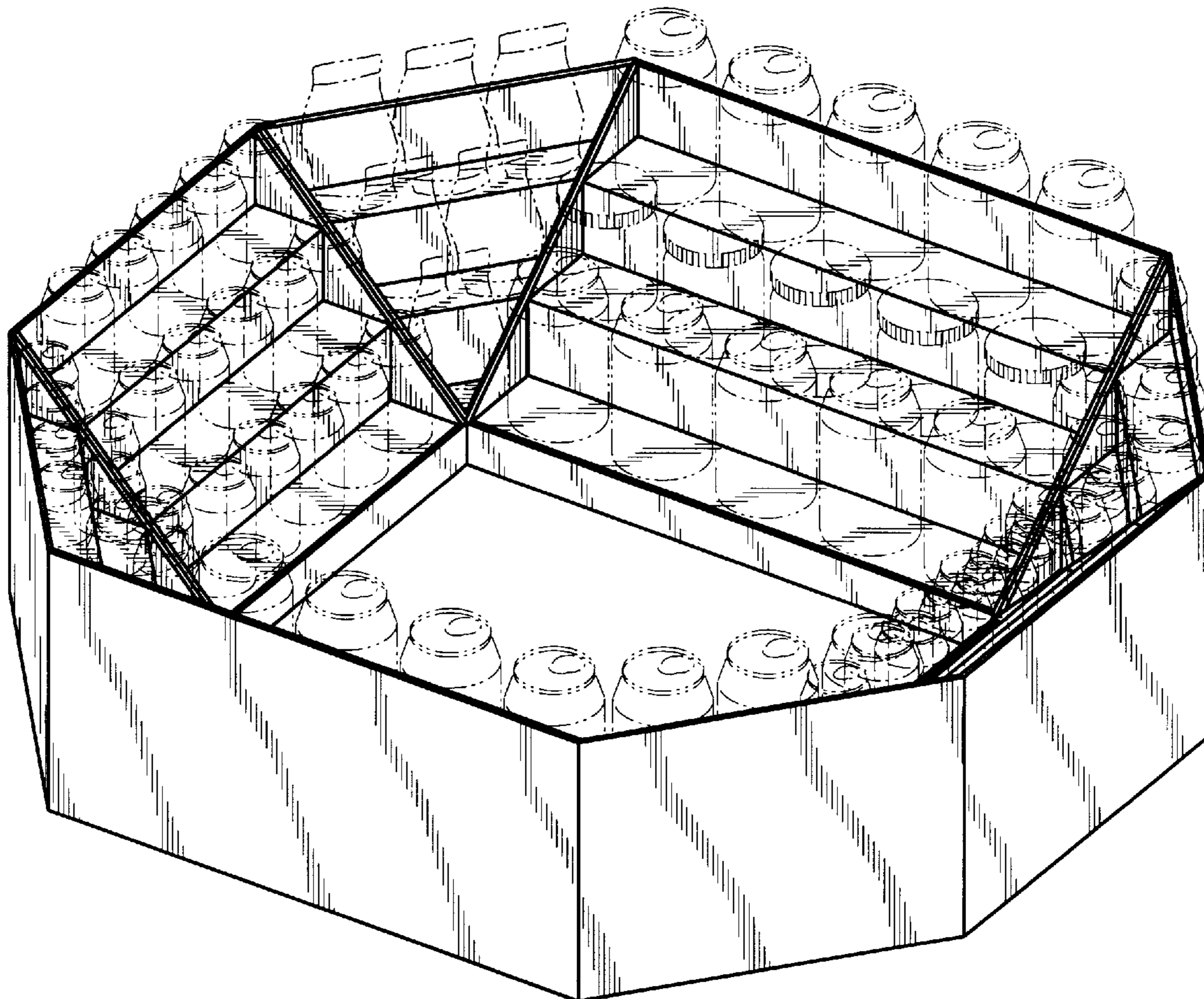
The ornamental design for the display stadium, as shown and described.

DESCRIPTION

FIG. 1 is a top plan view of a display stadium showing our new design;
FIG. 2 is a side elevation view thereof;
FIG. 3 is an end elevation view thereof;
FIG. 4 is a cross-sectional view thereof taken along line 4—4 of FIG. 1;
FIG. 5 is an exploded view thereof;
FIG. 6 is a perspective view thereof; and,
FIG. 7 is a perspective view thereof showing products displayed therein.

The broken line showing of containers is for illustrative purposes only and forms no part of the claimed design.

1 Claim, 3 Drawing Sheets



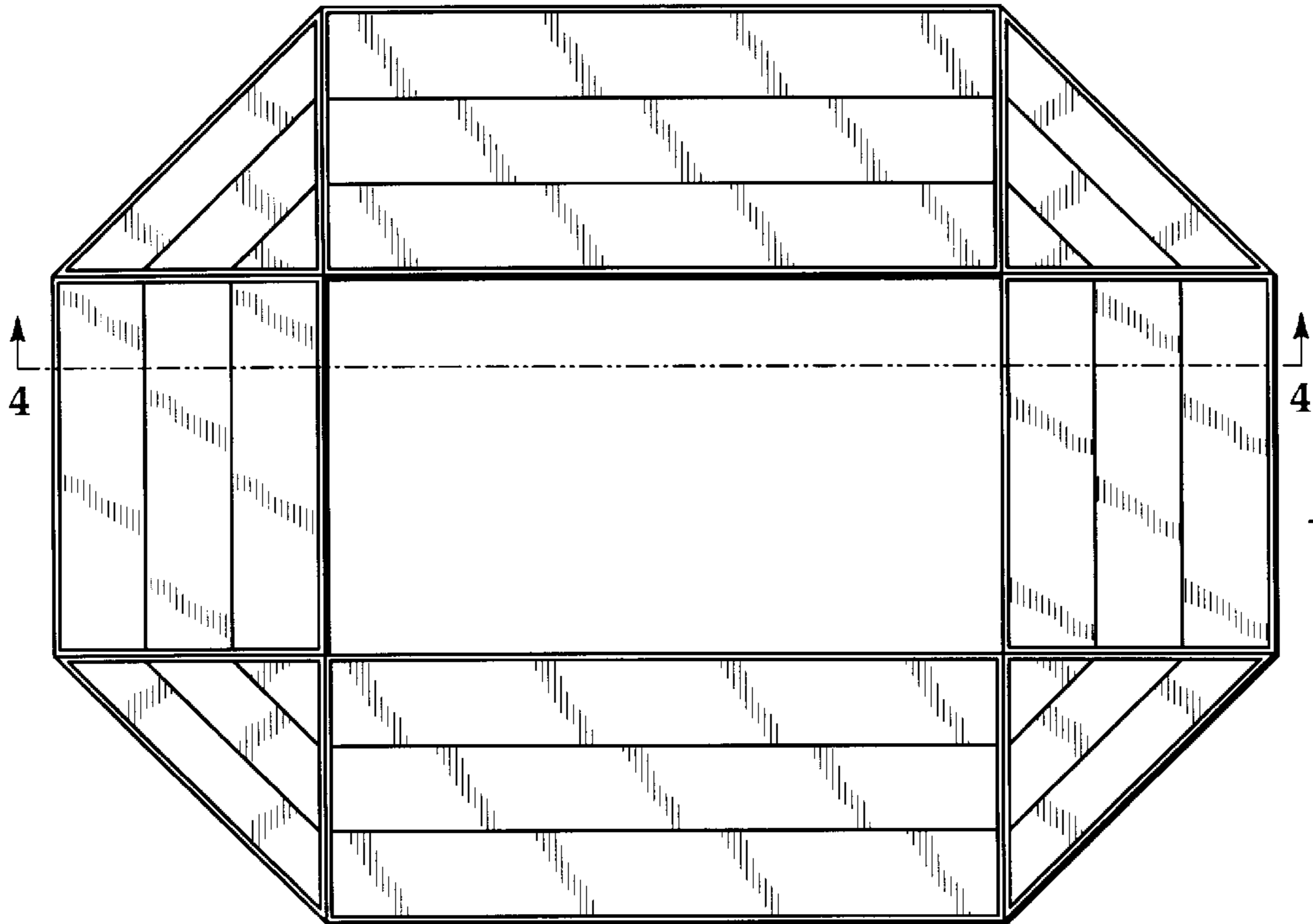


Fig.1

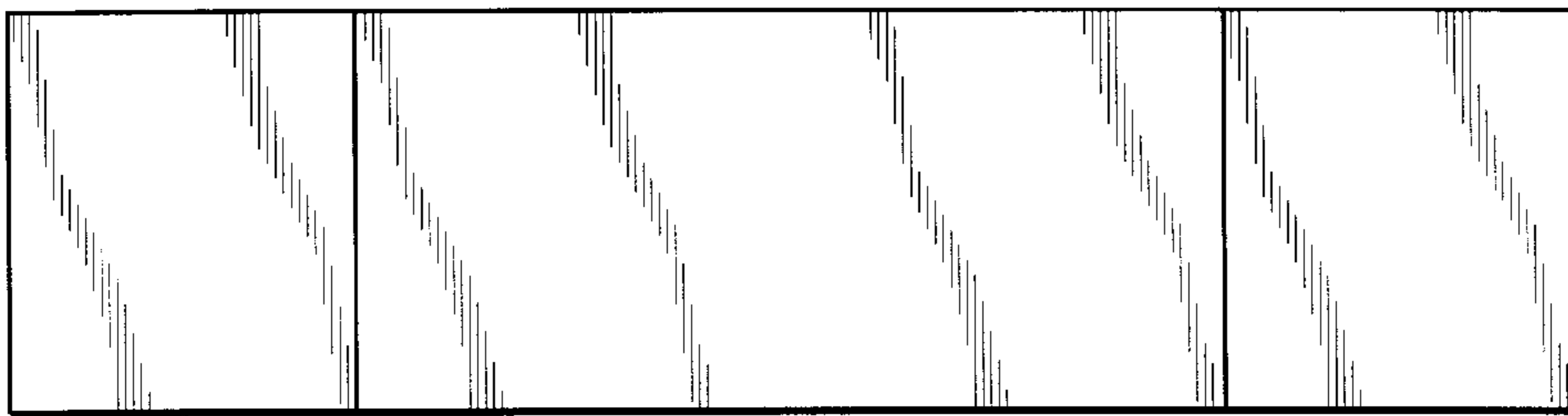


Fig.2

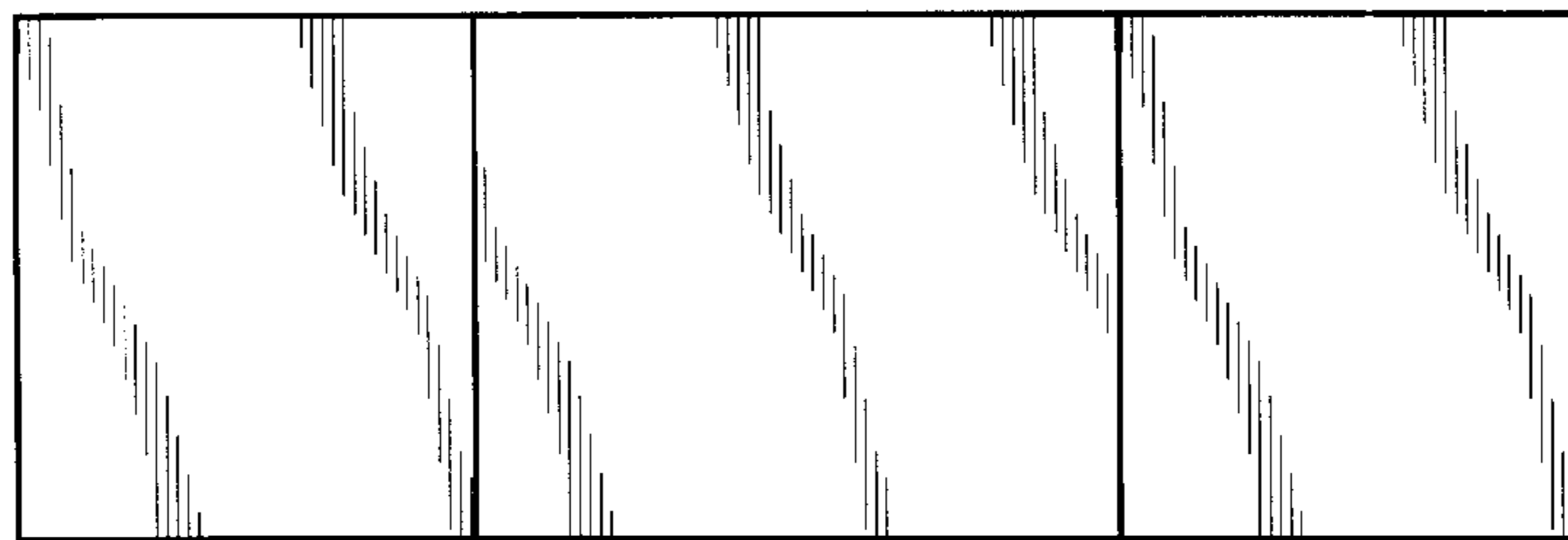


Fig.3

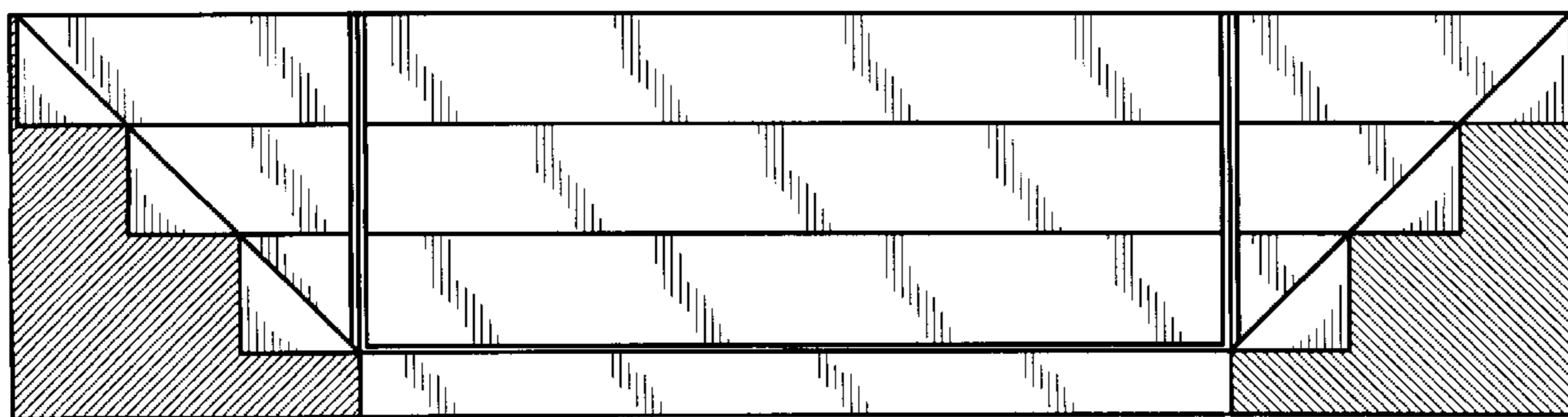
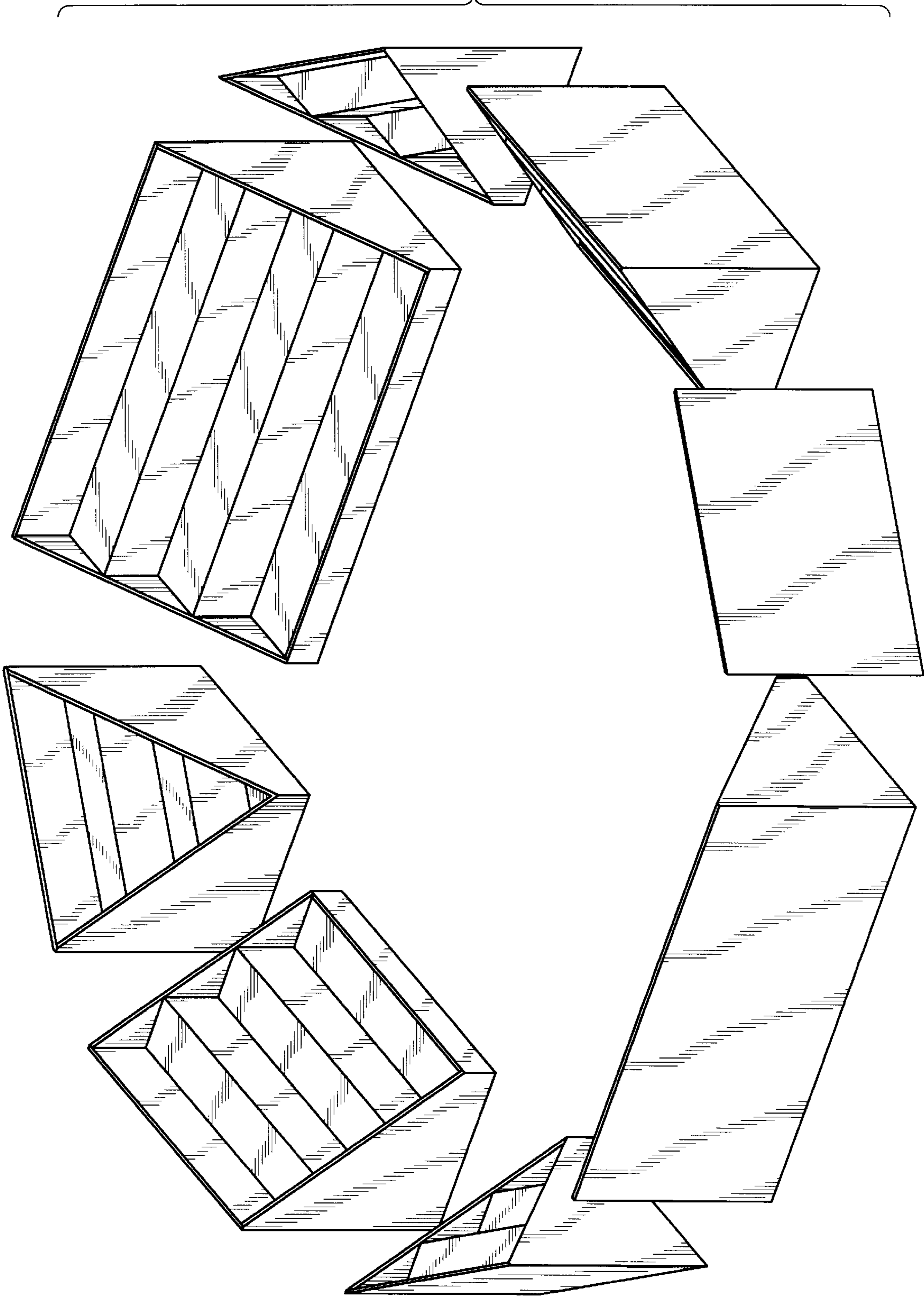


Fig.4

Fig. 5



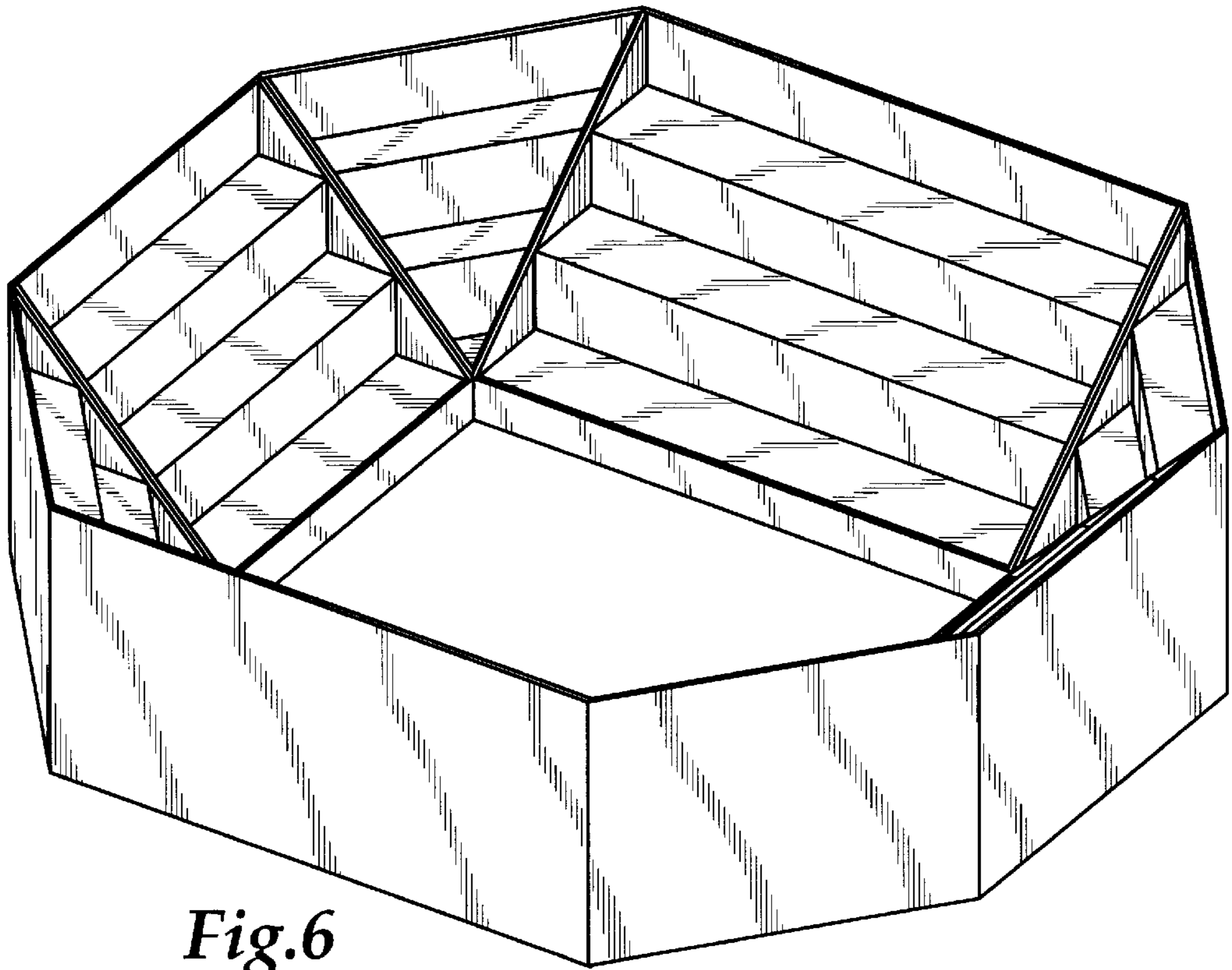


Fig. 6

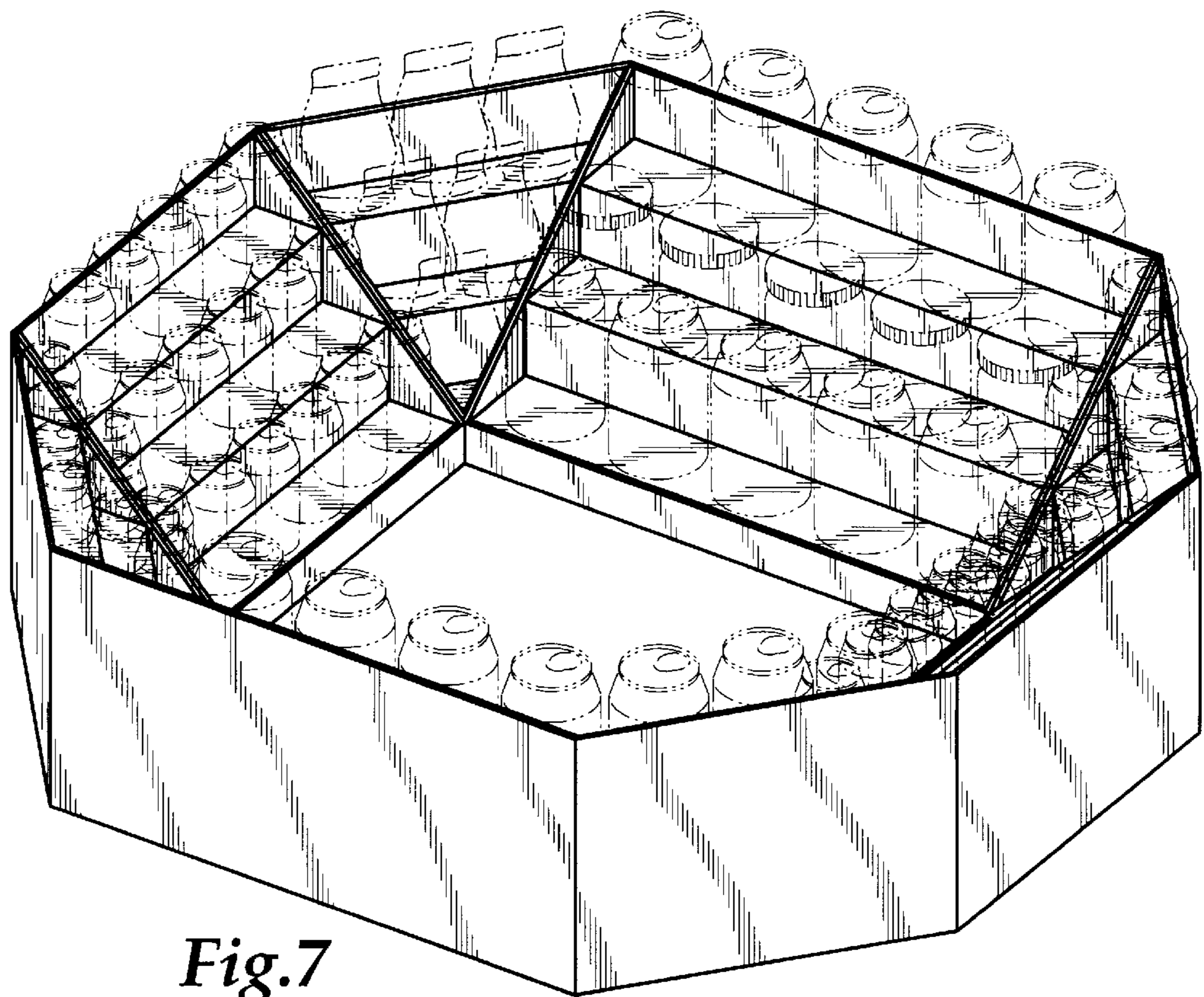


Fig. 7