



US00D426395S

United States Patent [19]
Lin

[11] **Patent Number: Des. 426,395**

[45] **Date of Patent: ** Jun. 13, 2000**

[54] **CHAIR**

[76] Inventor: **Steve Lin**, No. 80, Kengtsai Ping,
Hoping Village, Chuchi Hsiang, Chiayi
Hsien, Taiwan

[**] Term: **14 Years**

[21] Appl. No.: **29/106,866**

[22] Filed: **Jun. 24, 1999**

[51] **LOC (7) Cl.** **06-01**

[52] **U.S. Cl.** **D6/376; D6/344**

[58] **Field of Search** D6/334, 344, 358,
D6/369, 370, 374, 376, 379, 380, 500,
501, 502; 297/260.1, 265.1, 445.1

[56] **References Cited**

U.S. PATENT DOCUMENTS

D. 272,020 1/1984 Baty D6/344

D. 335,586 5/1993 Hess D6/376

D. 357,818 5/1995 Stoddart et al. D6/376

D. 357,820 5/1995 Minchey et al. D6/376

Primary Examiner—Gary D. Watson
Attorney, Agent, or Firm—Bacon & Thomas

[57] **CLAIM**

The ornamental design for a chair, as shown and described.

DESCRIPTION

FIG. 1 is a front-left-top perspective view of a chair,
showing my new design;

FIG. 2 is a front elevational view thereof;

FIG. 3 is a rear elevational view thereof;

FIG. 4 is a left side elevational view thereof;

FIG. 5 is a right side elevational view thereof;

FIG. 6 is a top plan view thereof; and,

FIG. 7 is a bottom plan view thereof.

1 Claim, 6 Drawing Sheets





FIG. 1

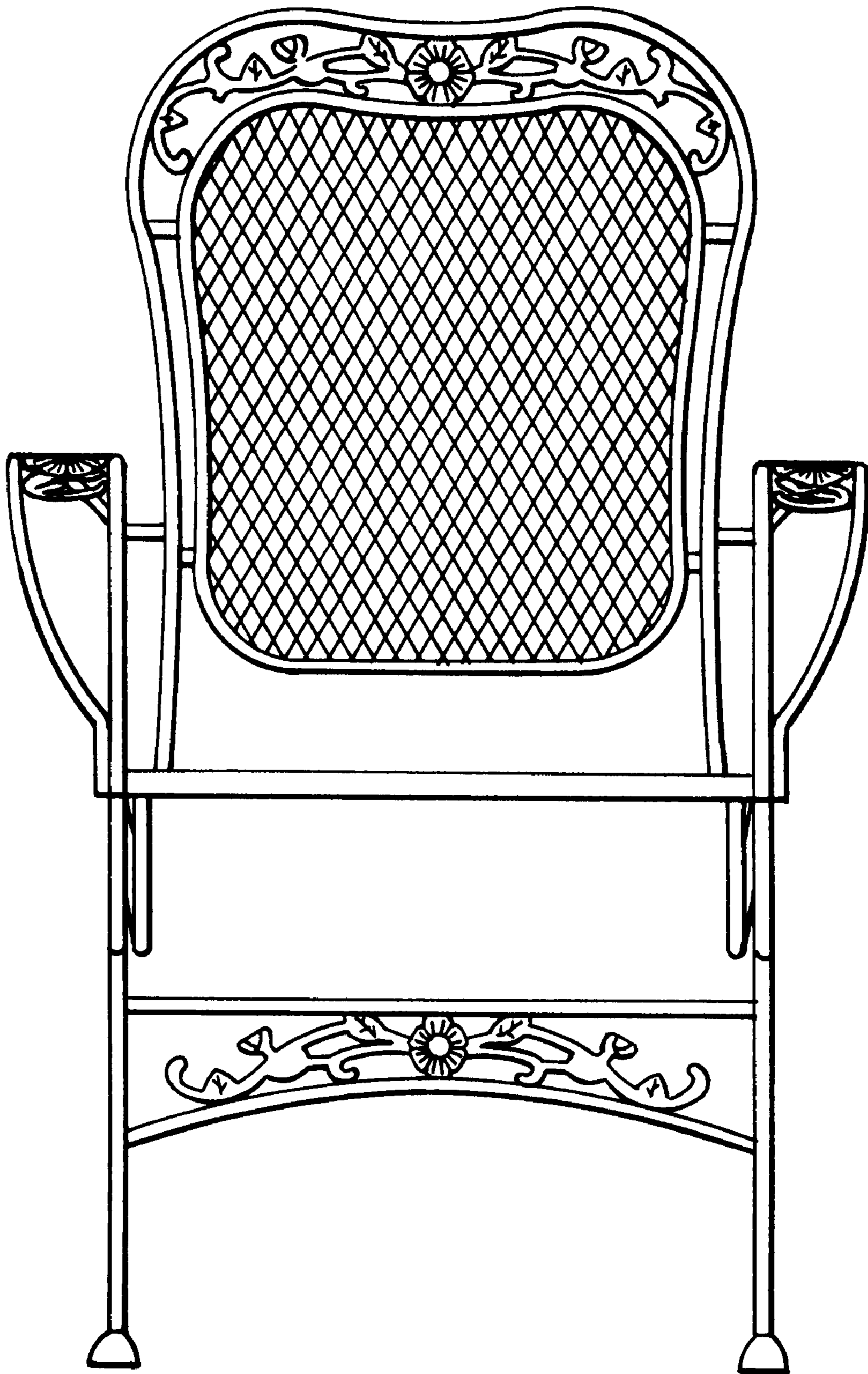


FIG. 2

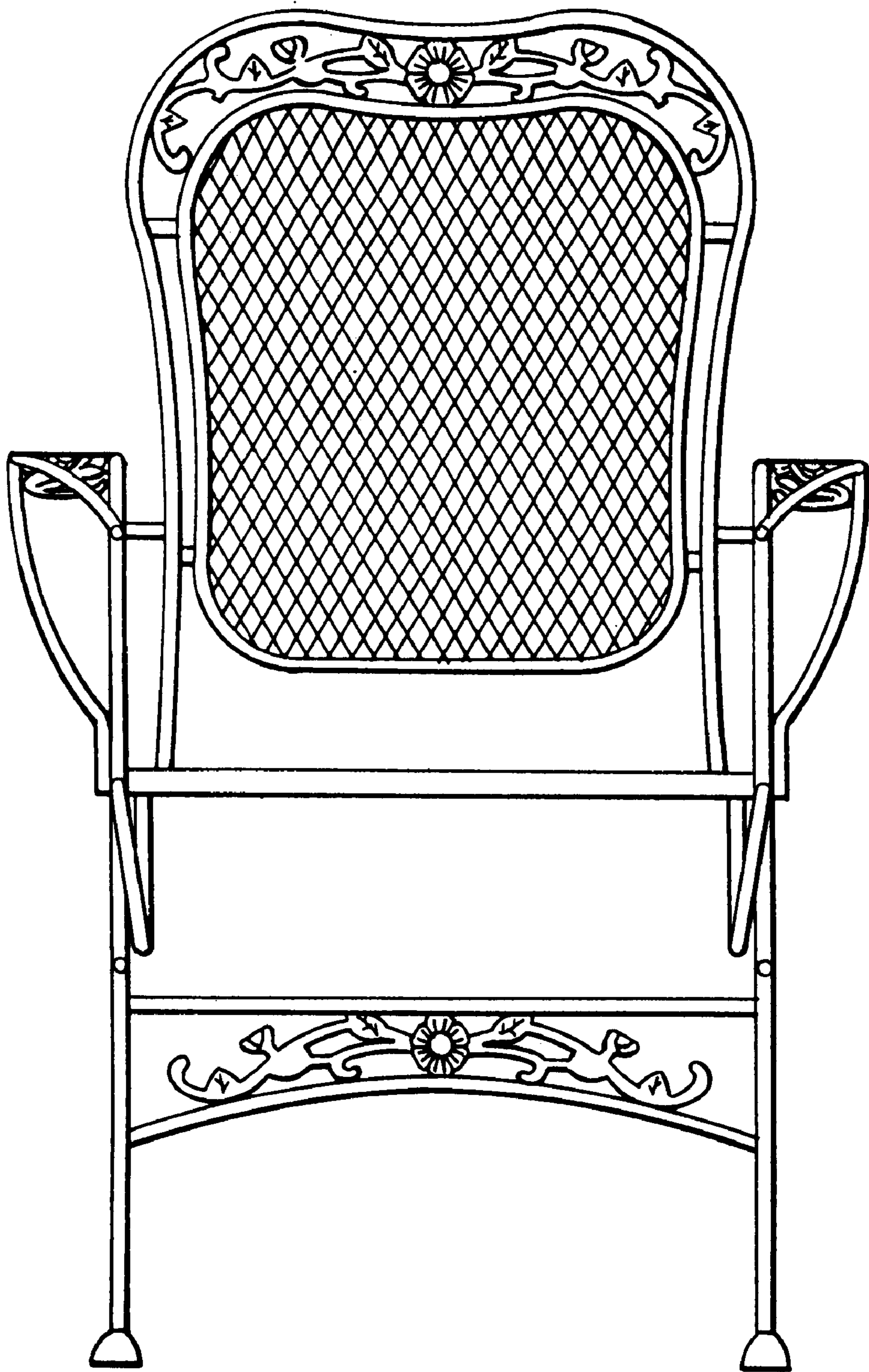


FIG. 3

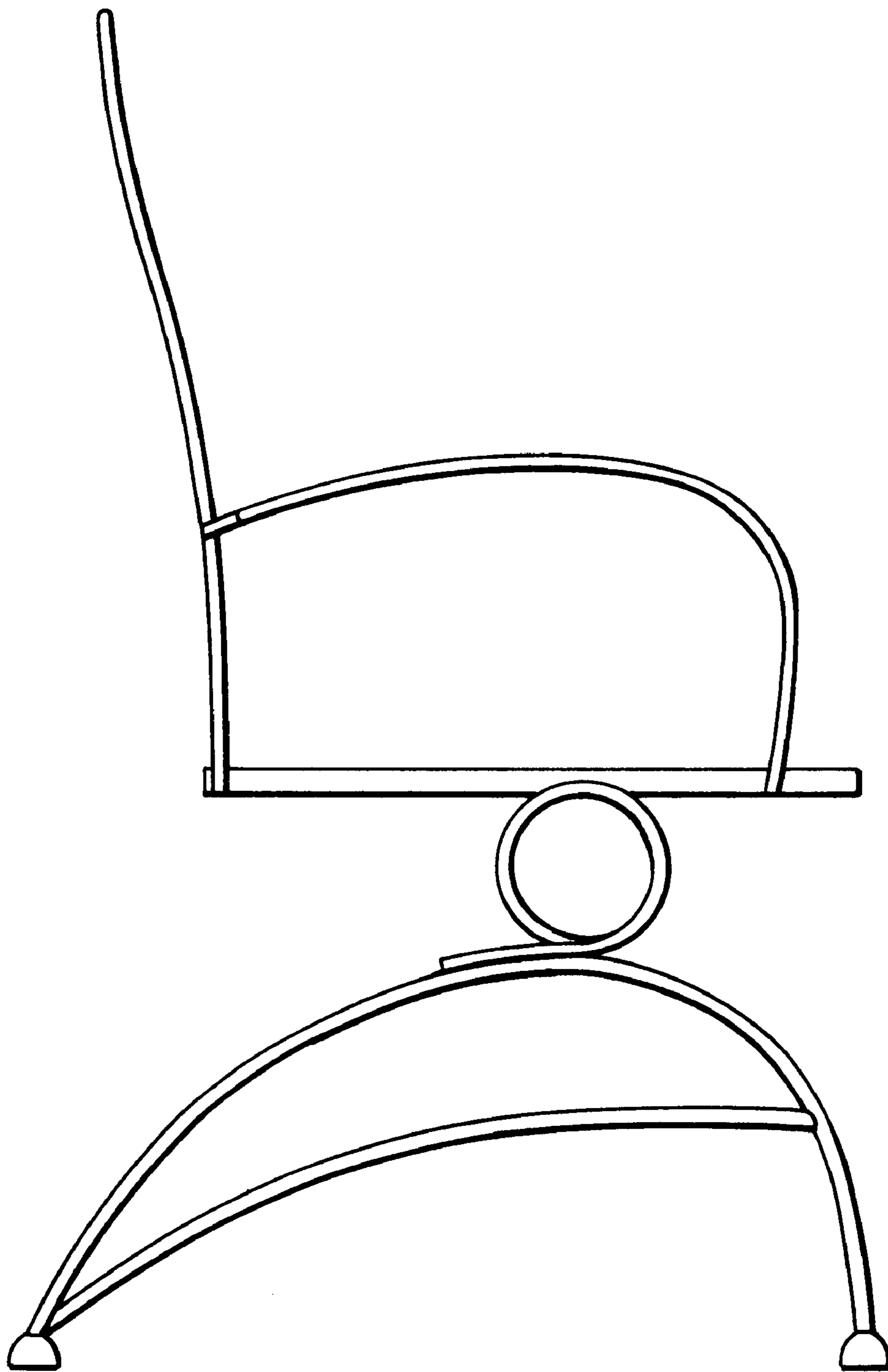


FIG. 4

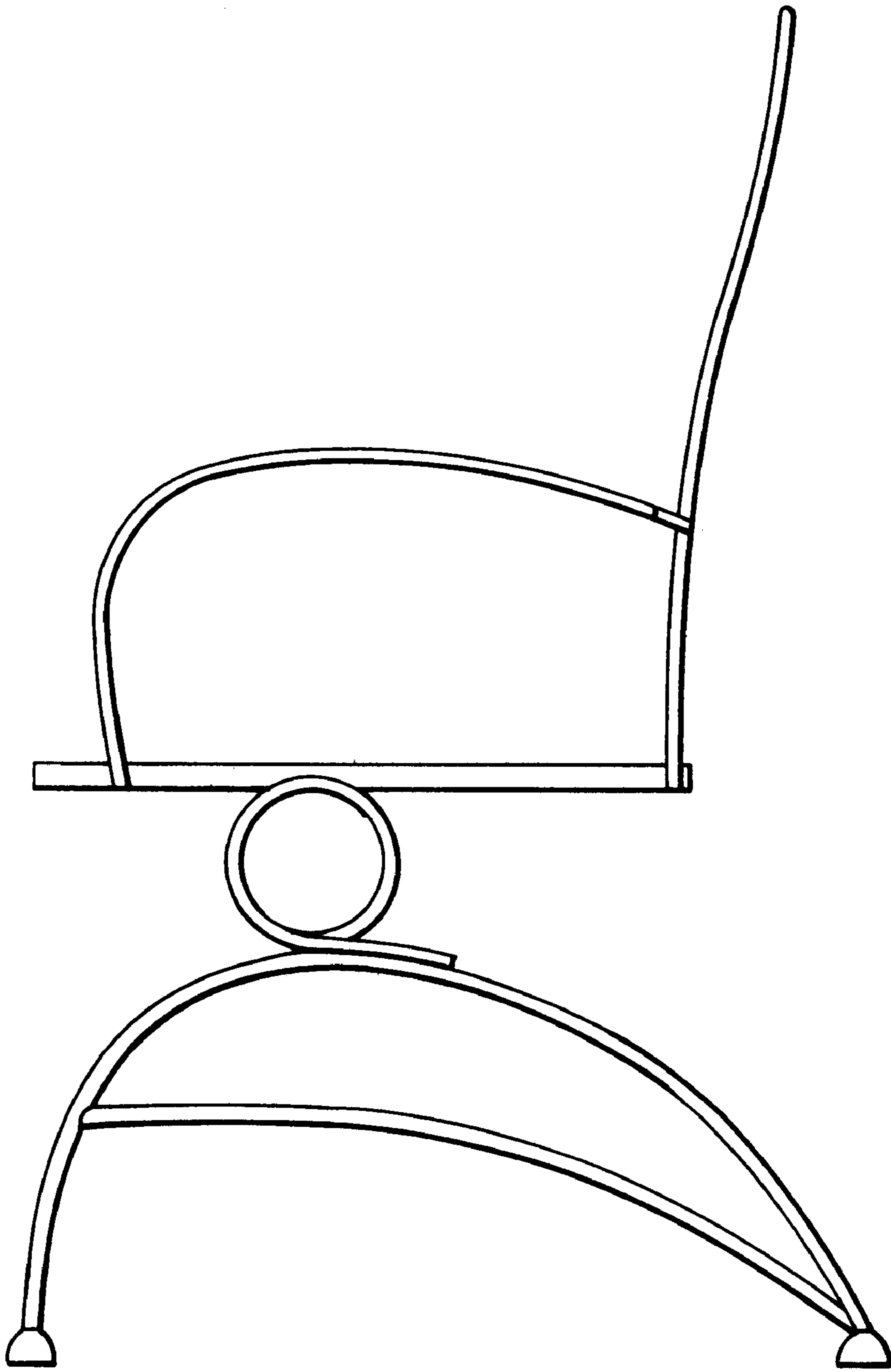


FIG. 5

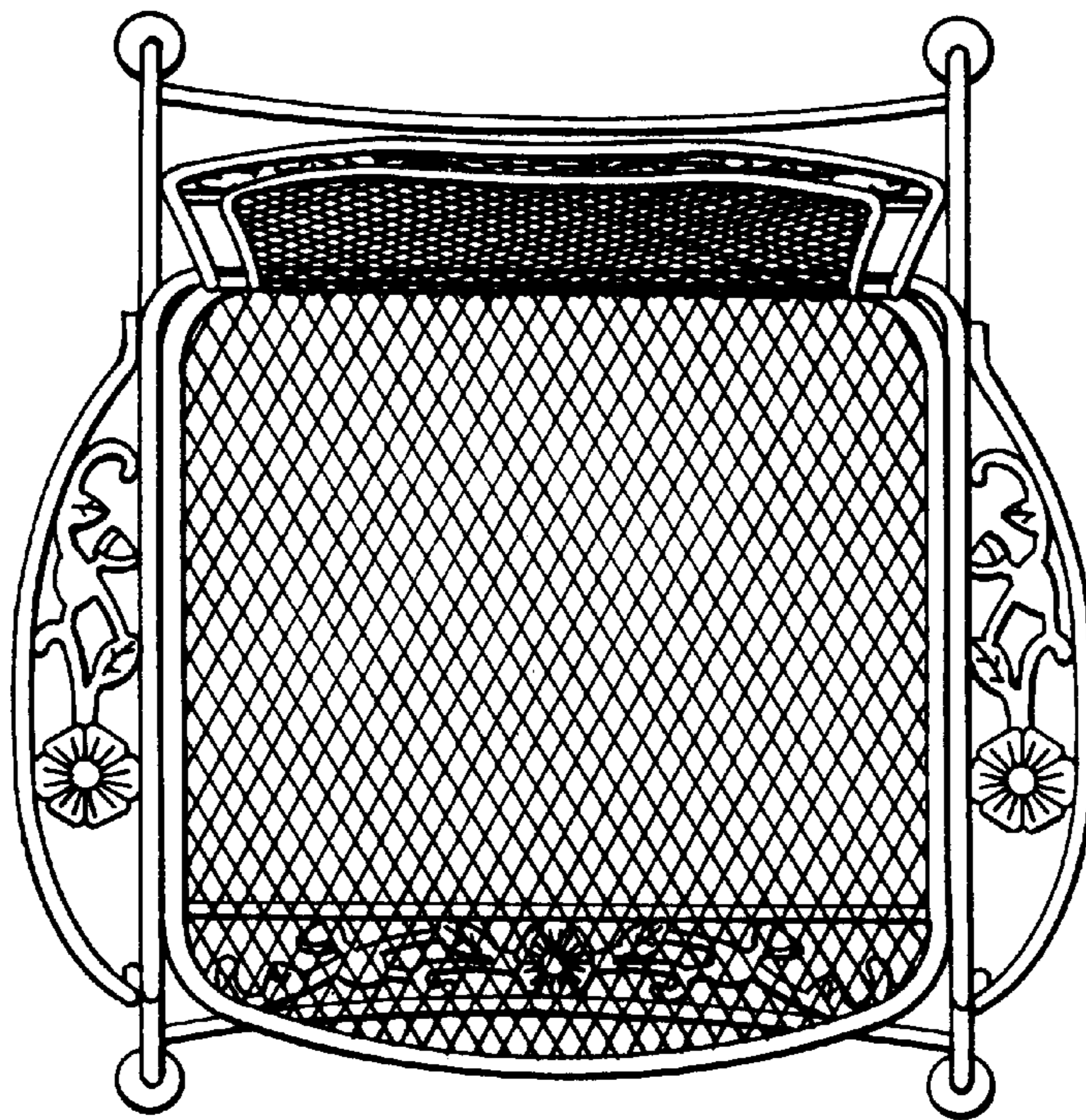


FIG. 6

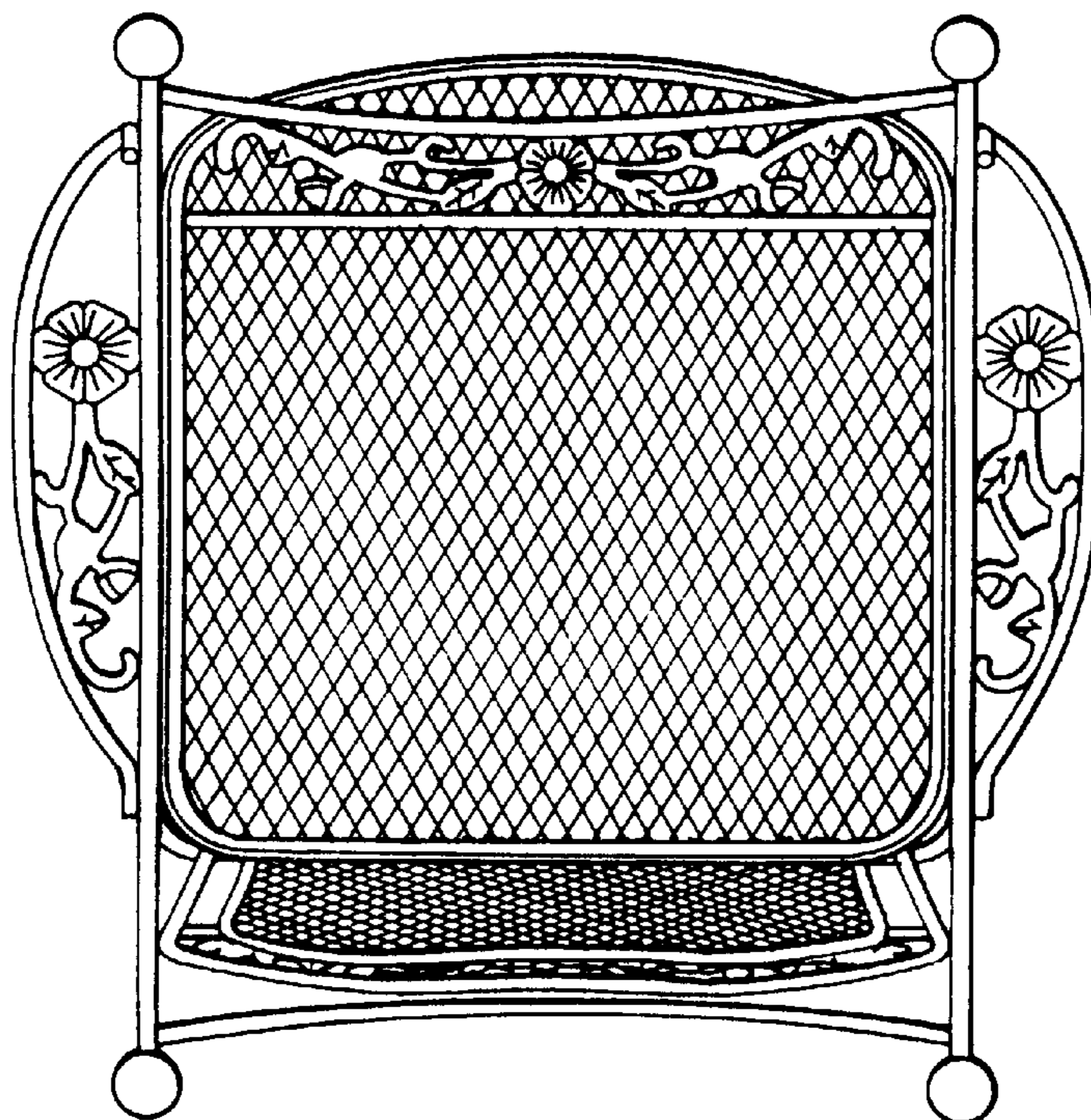


FIG. 7