



US00D426394S

# United States Patent [19] Tseng

[11] **Patent Number: Des. 426,394**

[45] **Date of Patent: \*\* Jun. 13, 2000**

[54] **CHAIR**

D. 417,564 12/1999 Sabo ..... D6/379

[75] Inventor: **Chuen-Jong Tseng**, Chiayi Hsien, Taiwan

*Primary Examiner*—Gary D. Watson  
*Attorney, Agent, or Firm*—Ladas & Parry

[73] Assignee: **Shin Yen Enterprise Co. Ltd.**, Chiayi Hsien, Taiwan

[57] **CLAIM**

[\*\*] Term: **14 Years**

The ornamental design for a chair, as shown and described.

[21] Appl. No.: **29/110,258**

[22] Filed: **Sep. 2, 1999**

### DESCRIPTION

[51] **LOC (7) Cl.** ..... **06-01**

[52] **U.S. Cl.** ..... **D6/375; D6/367; D6/379**

[58] **Field of Search** ..... D6/334, 335, 367, D6/368, 374, 375, 376, 379, 500, 501, 502; 297/377, 445.1

FIG. 1 is a perspective view of a chair showing my new design;

FIG. 2 is a front elevational view thereof;

FIG. 3 is a rear elevational view thereof;

FIG. 4 is a left side elevational view thereof;

FIG. 5 is a right side elevational view thereof;

FIG. 6 is a top plan view thereof; and,

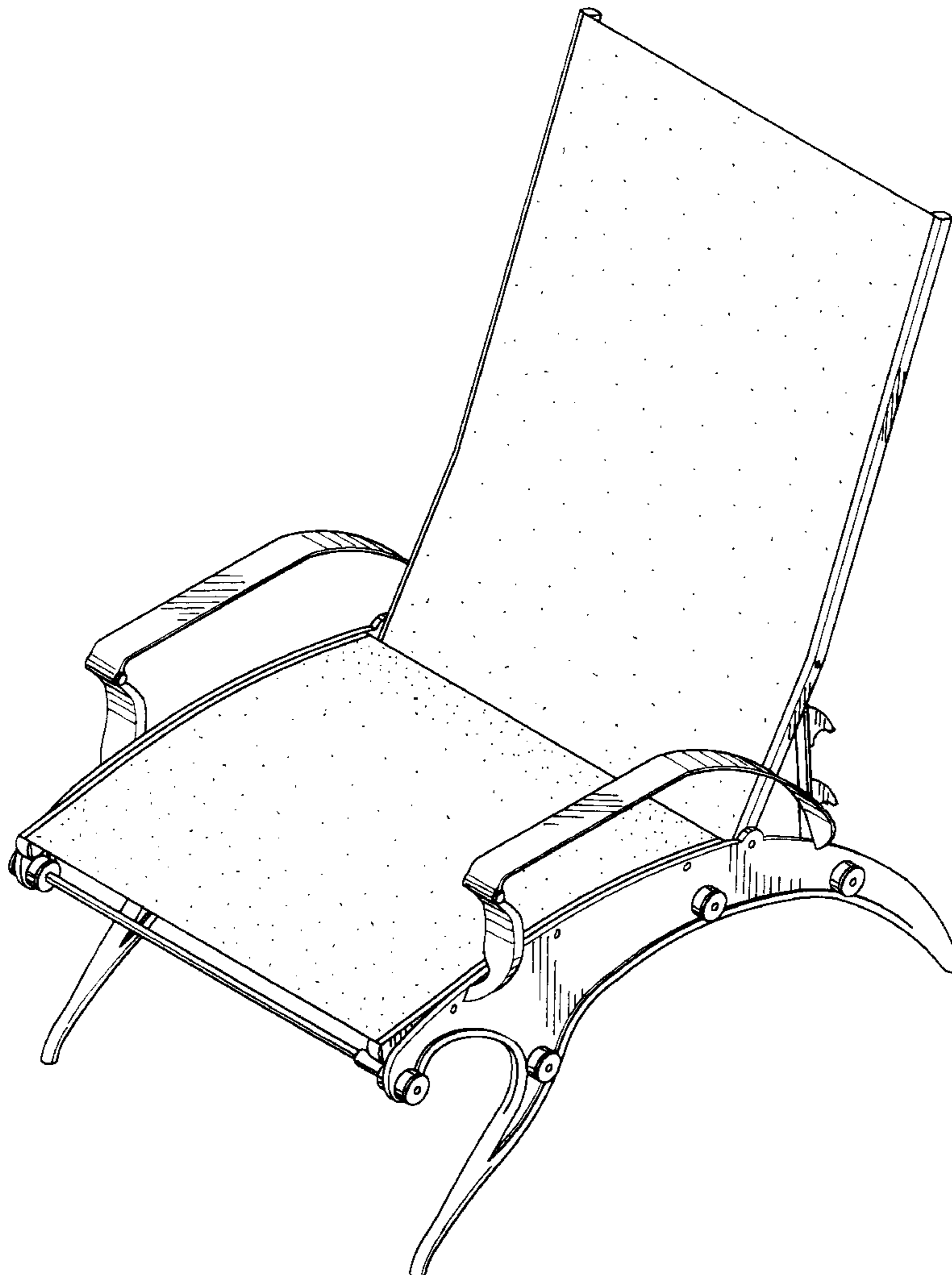
FIG. 7 is a bottom plan view thereof.

[56] **References Cited**

#### U.S. PATENT DOCUMENTS

D. 413,447 9/1999 Tseng ..... D6/368

**1 Claim, 4 Drawing Sheets**



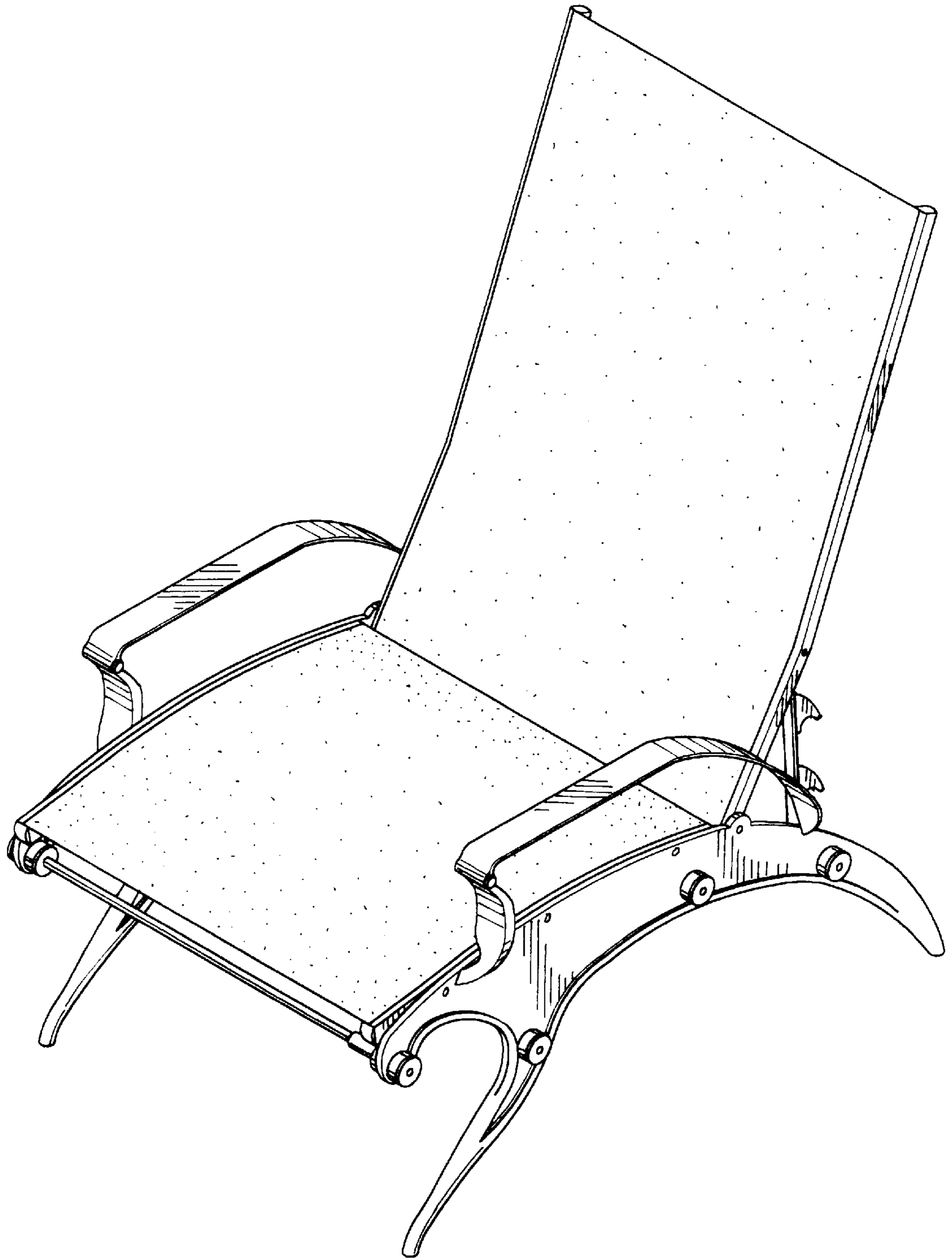


FIG. 1

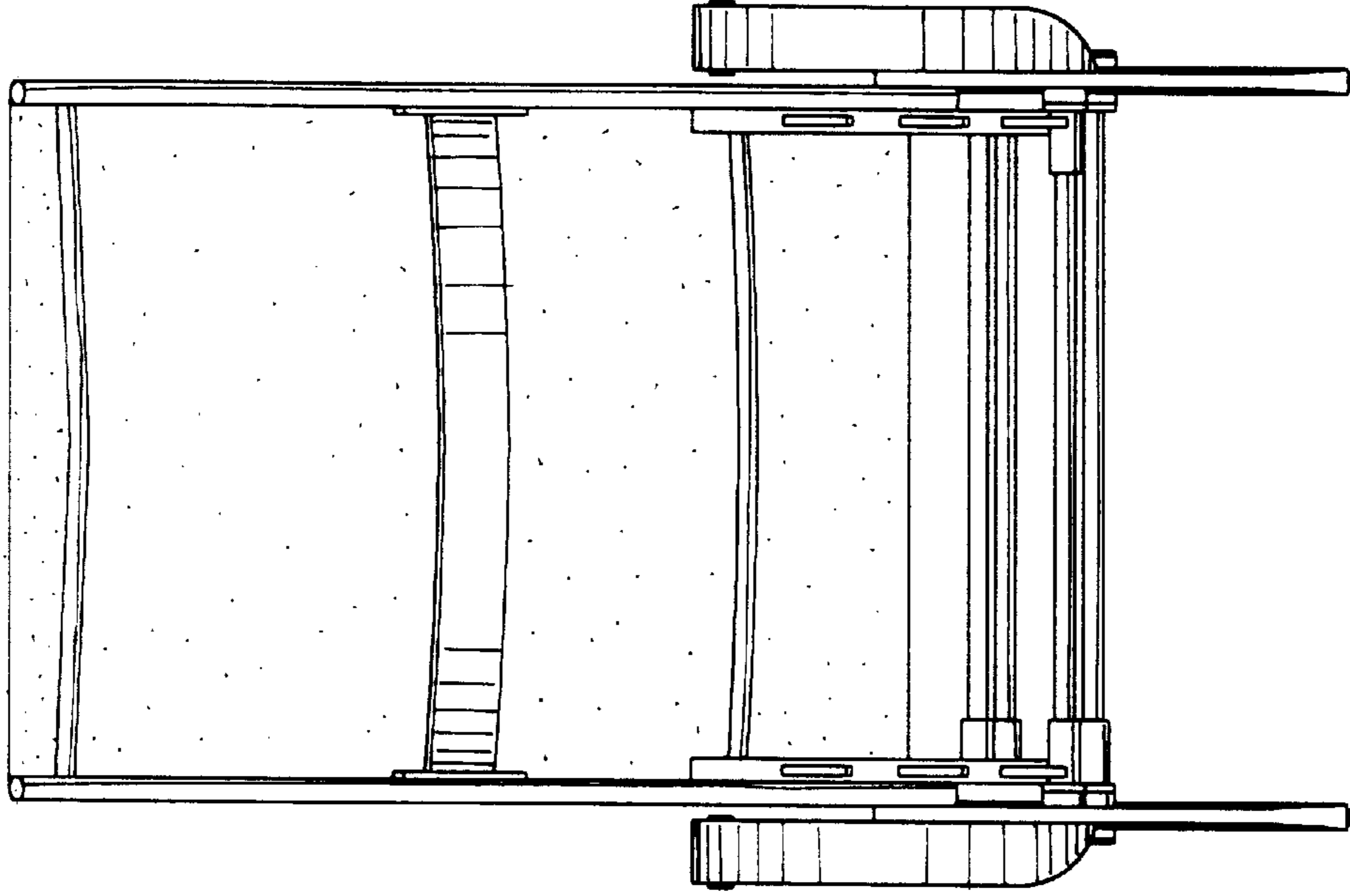


FIG. 3

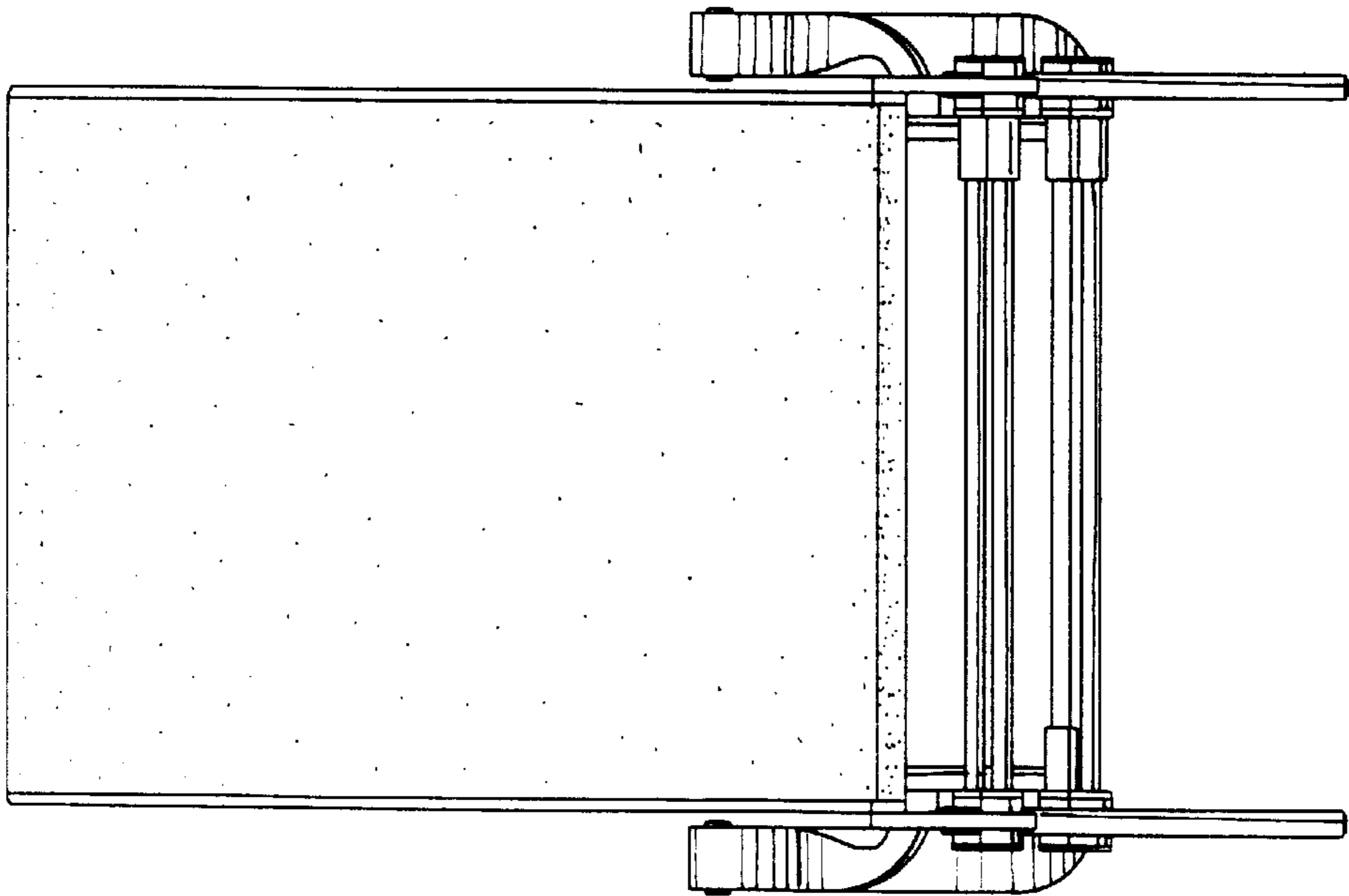


FIG. 2

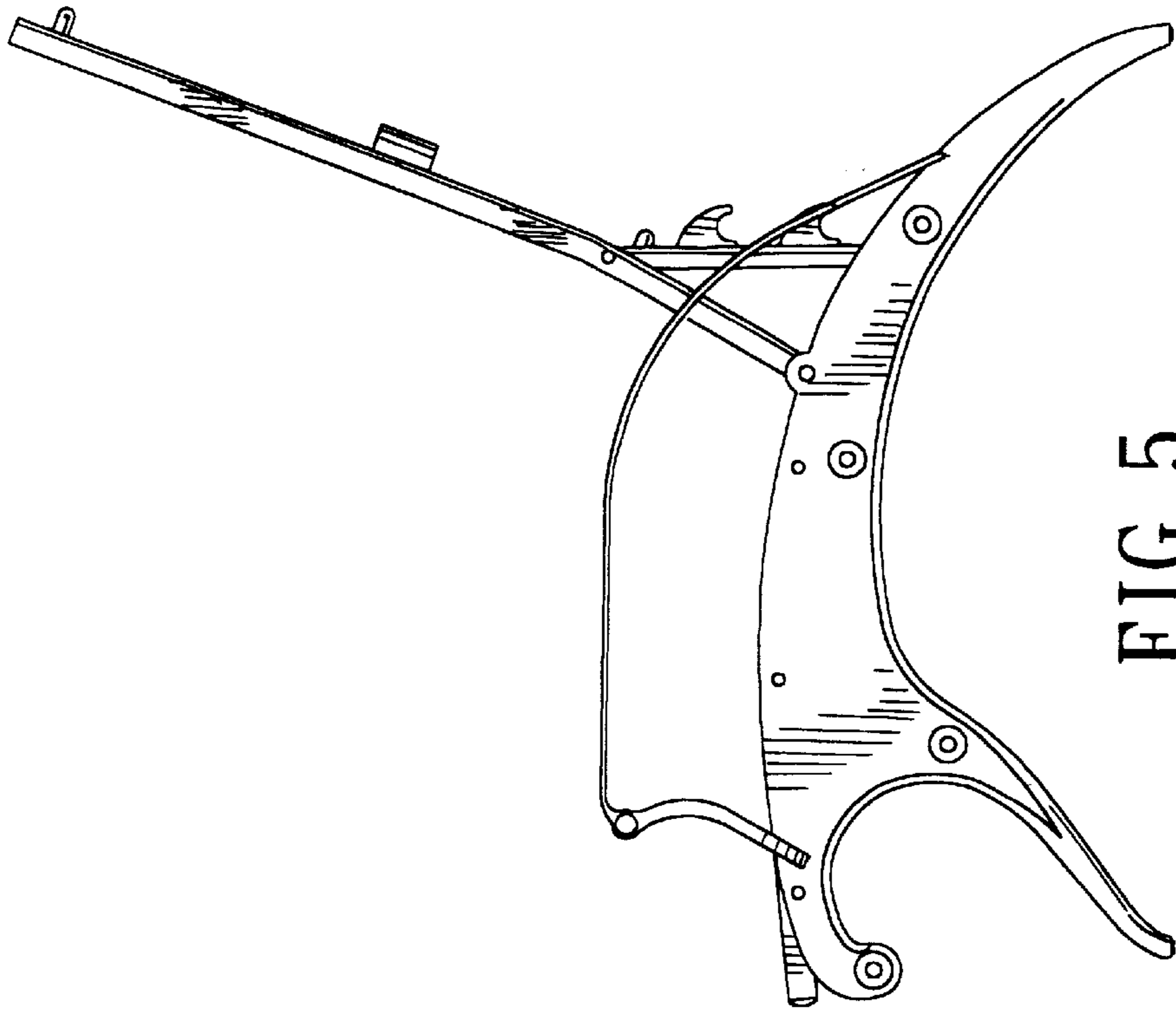


FIG. 5

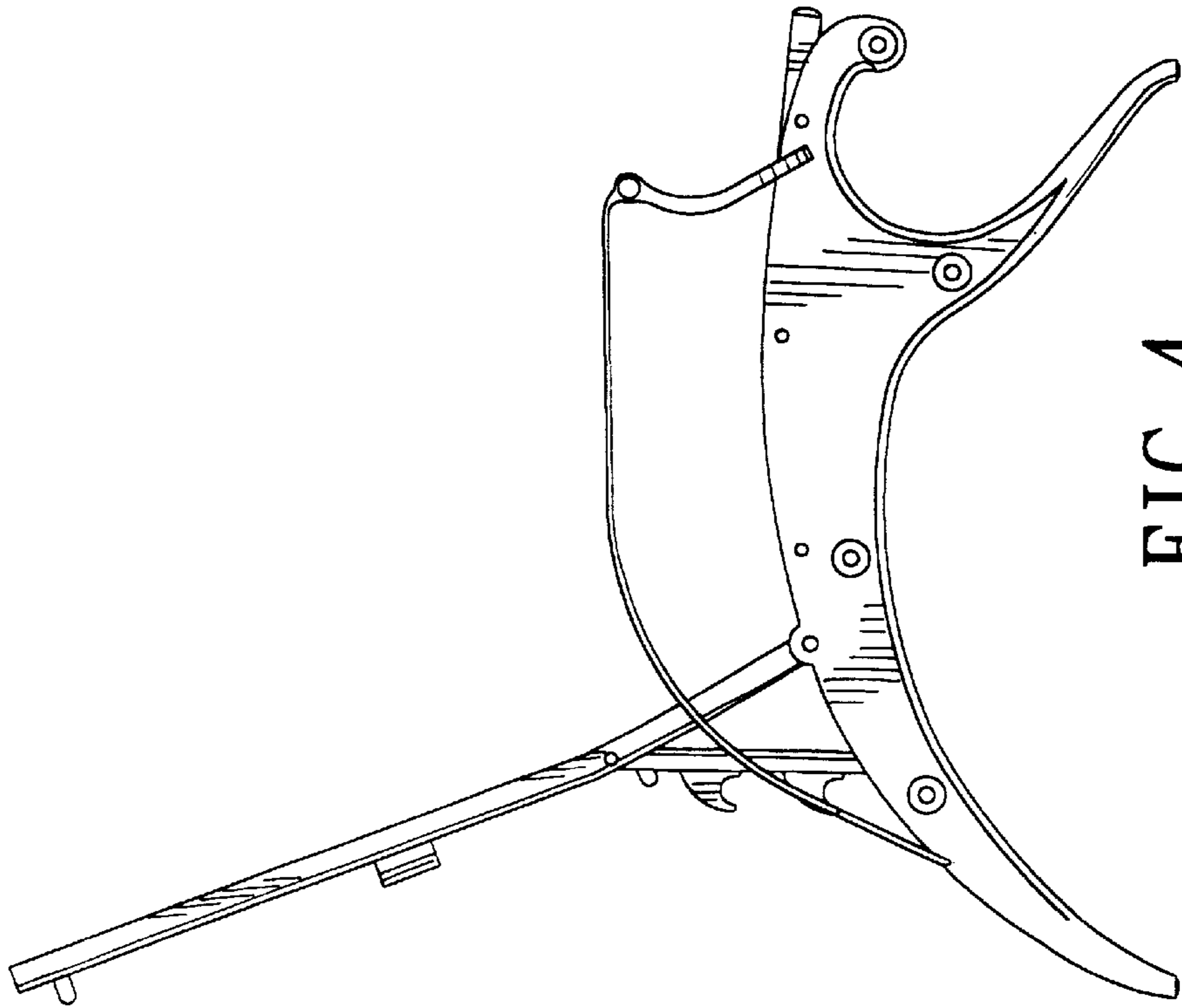


FIG. 4

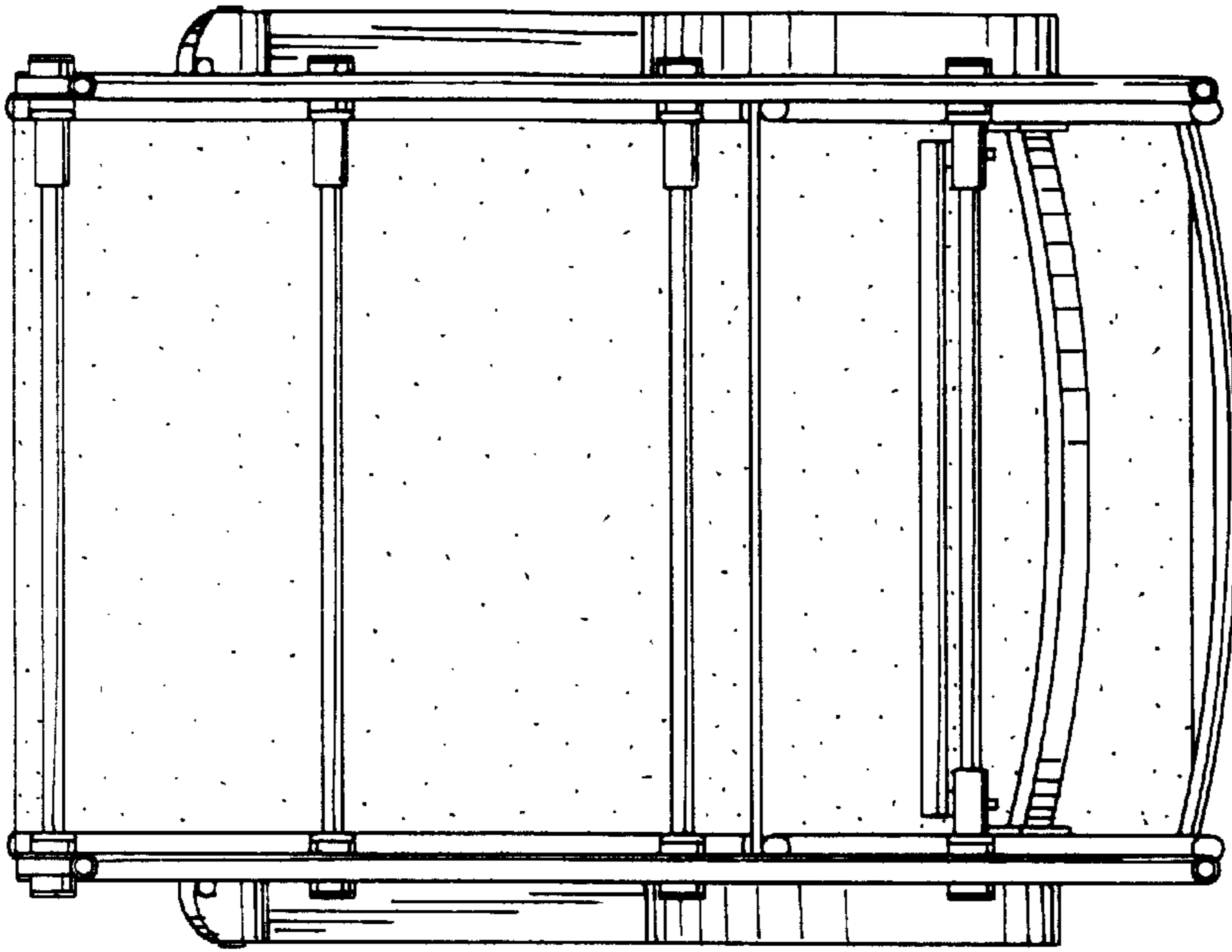


FIG. 7

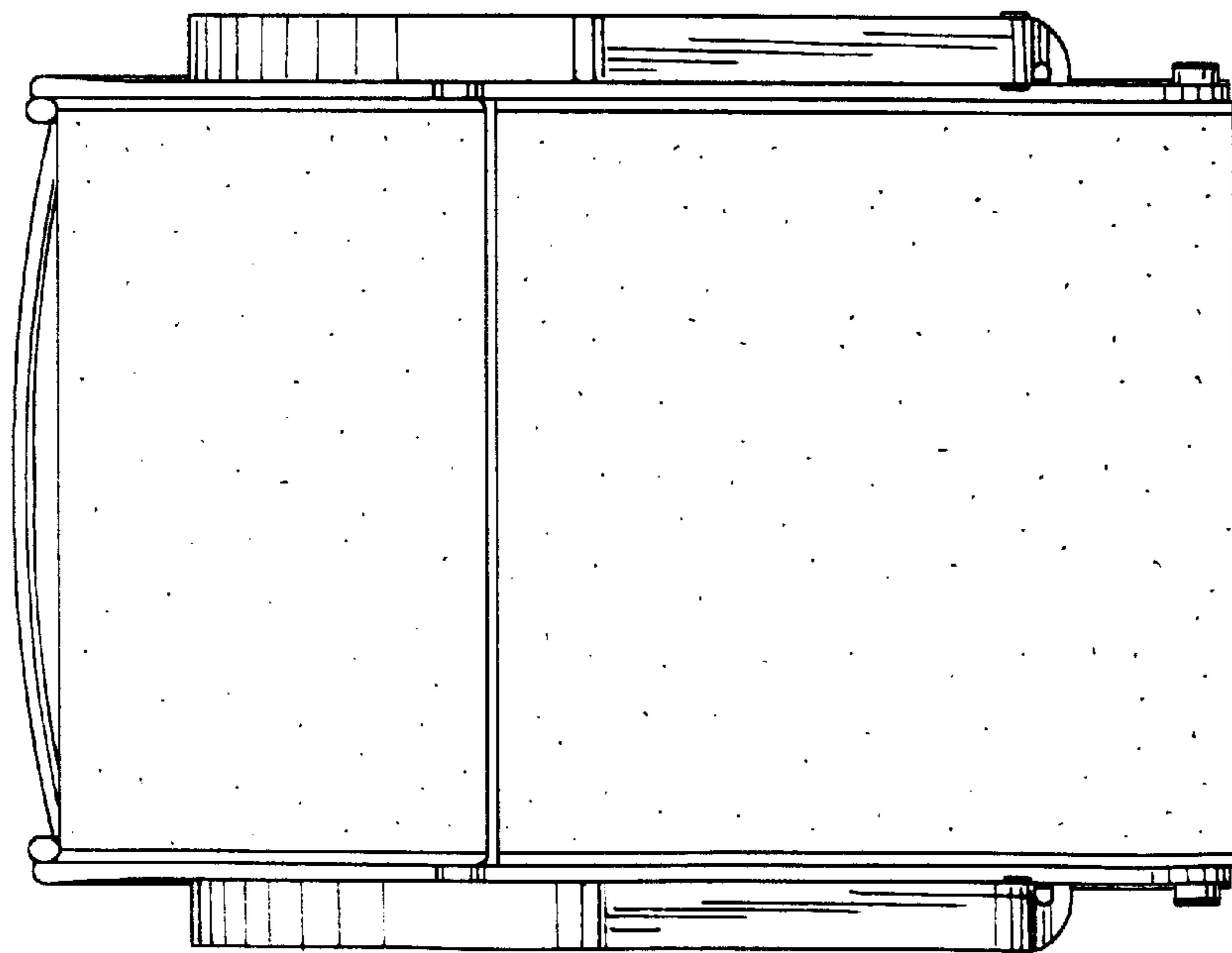


FIG. 6