



US00D426391S

United States Patent [19] Rowan

[11] **Patent Number: Des. 426,391**

[45] **Date of Patent: ** Jun. 13, 2000**

[54] **PORTION OF A FLOOR SCREEN**

[76] **Inventor: Paul Rowan, 40 Emblem Court, Toronto, Ontario, Canada, M1S 1B1**

[**] **Term: 14 Years**

[21] **Appl. No.: 29/119,243**

[22] **Filed: Feb. 29, 2000**

[51] **LOC (7) Cl. 06-06**

[52] **U.S. Cl. D6/332; D6/301**

[58] **Field of Search D6/300-314, 332; 40/700, 711, 735, 745, 765, 766, 780, 790, 725, 727, 728; 160/135, 351**

[56] **References Cited**

U.S. PATENT DOCUMENTS

D. 6,609	4/1873	Slusser et al. .	
D. 9,485	9/1876	Griffin .	
D. 138,505	6/1944	Cirkinian .	
D. 280,363	9/1985	Wisecup, Jr. .	
D. 357,588	4/1995	Fachinger .	
D. 367,964	3/1996	Baker et al.	D6/302
D. 409,395	5/1999	Mok .	
D. 409,845	5/1999	Mok .	
D. 417,086	11/1999	Feeney	D6/332
1,697,277	1/1929	Hoopes .	
1,782,203	11/1930	Hanley .	
2,855,037	10/1958	Stiffel	160/351
4,001,987	1/1977	Coulthard .	

OTHER PUBLICATIONS

Exposures, Fall 1993, p. 36, screen frame at lower right.
Service Merchandise Cat. 1996-1997, p. 173, Item #27, Picture Frame Screen, bottom right of page.
Table Top Photo Screen, Oak Finish, (No Date Given), Kmart Home Essential Advertisement.
Photo Floor Screen, Kmart Advertising Flyer, Feb. 1999.
Spencer's Catalog, 1967, p. 24, Photo Paperweight.

Primary Examiner—Janice E. Seeger

[57] **CLAIM**

The ornamental design for a portion of a floor screen, as shown and described.

DESCRIPTION

FIG. 1 is a perspective view of a portion of a floor screen, in a folded position, showing my new design; FIG. 2 is a front view thereof, shown in a flat position; and, FIG. 3 is a front view of a second embodiment of my new design, shown in a flat position and without the environmental subject matter shown in FIGS. 1 and 2. The dashed lines shown in FIGS. 1-2 represent environmental subject matter and form no part of the claimed design. The dotted lines shown in FIGS. 1-2 represent the border between claimed subject matter and unclaimed environmental subject matter and form no part of the claimed design. The jagged lines shown in FIG. 3 are not part of the claimed design and indicate that the shape of the borders form no part of this embodiment of the claimed design.

1 Claim, 3 Drawing Sheets

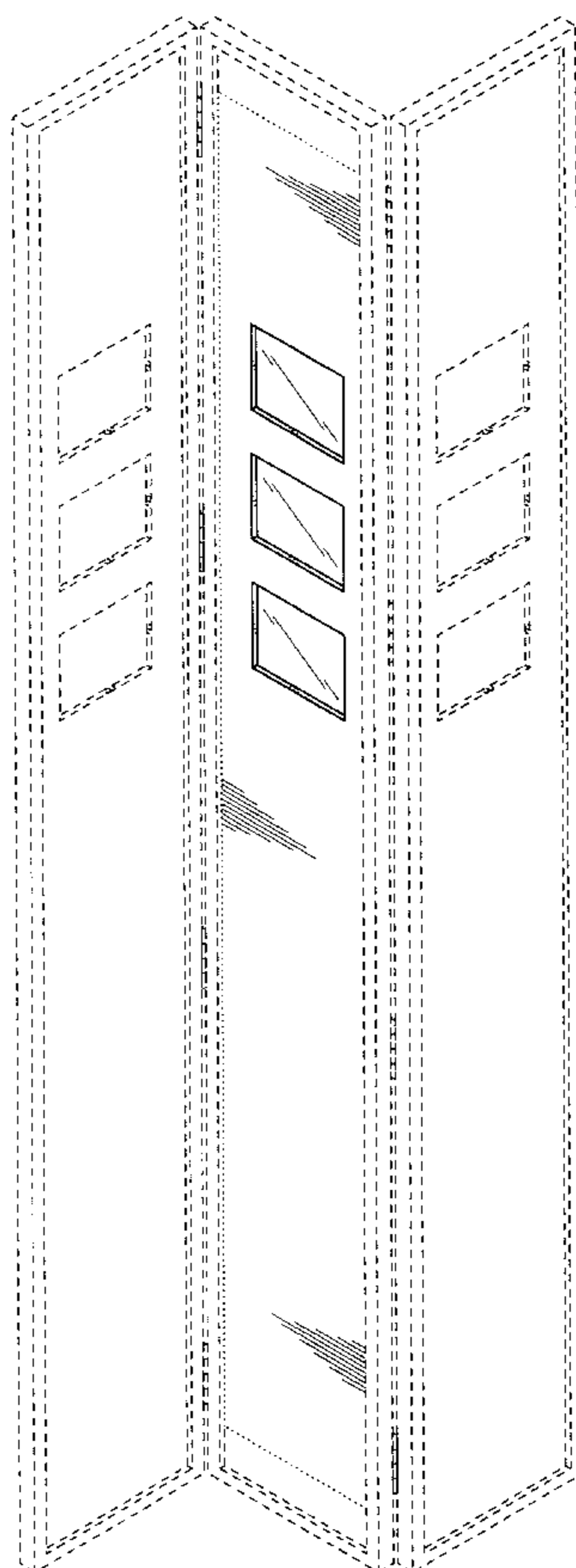


FIG. 1

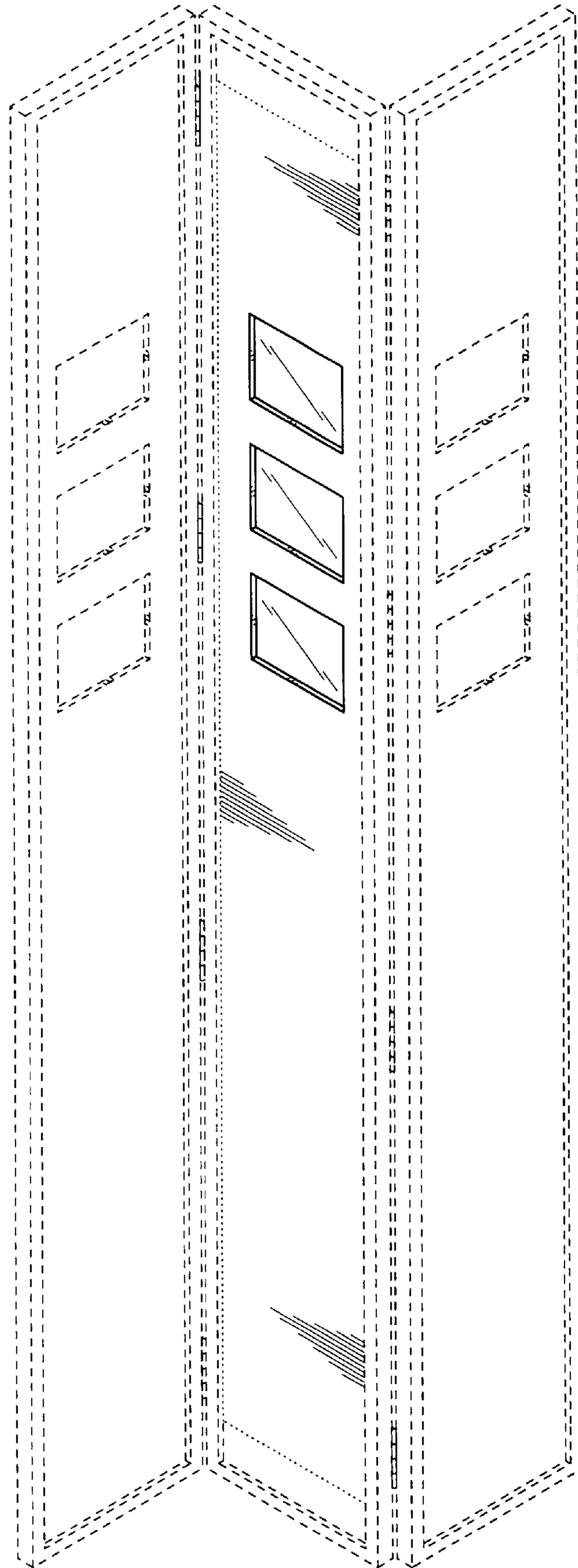


FIG. 2

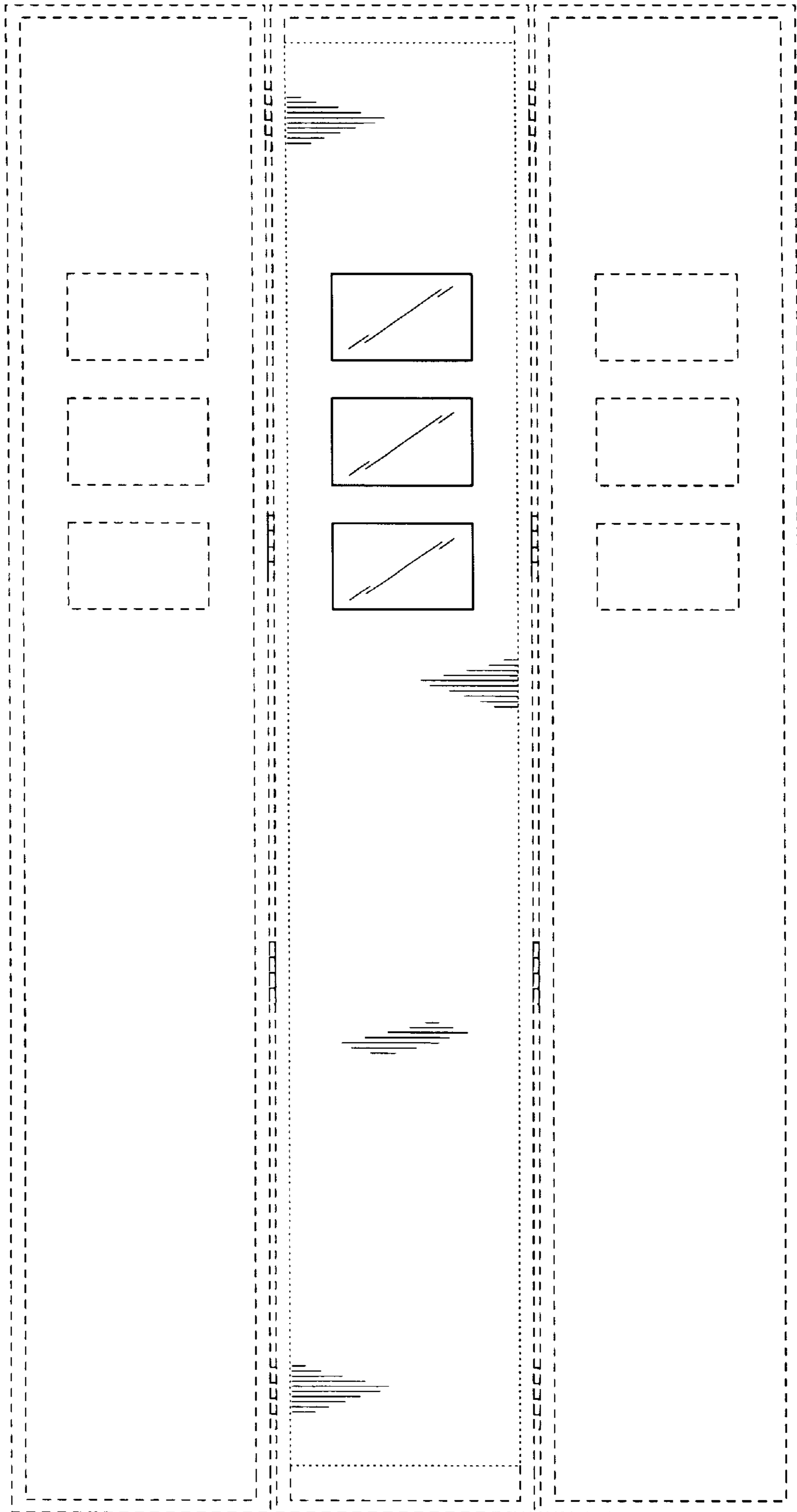


FIG. 3

