



US00D426389S

# United States Patent [19] Dooling

[11] Patent Number: **Des. 426,389**

[45] Date of Patent: **\*\* Jun. 13, 2000**

[54] **CLOTHES HANGER**

3,124,284	3/1964	Collum	.....	40/322
4,948,019	8/1990	Rodum	.....	223/92
5,071,045	12/1991	Hollis	.....	223/85

[75] Inventor: **Debra B. Dooling**, Oakland, Calif.

[73] Assignee: **Ada Rose, Inc.**, Oakland, Calif.

[\*\*] Term: **14 Years**

*Primary Examiner*—B. J. Bullock  
*Attorney, Agent, or Firm*—Bruce & McCoy

[21] Appl. No.: **29/058,955**

[22] Filed: **Aug. 29, 1996**

[57] **CLAIM**

The ornamental design for a clothes hanger, as shown and described.

[51] **LOC (7) Cl.** ..... **06-08**

[52] **U.S. Cl.** ..... **D6/318**

[58] **Field of Search** ..... D6/315, 318; 211/113;  
223/85, 92; 40/322

**DESCRIPTION**

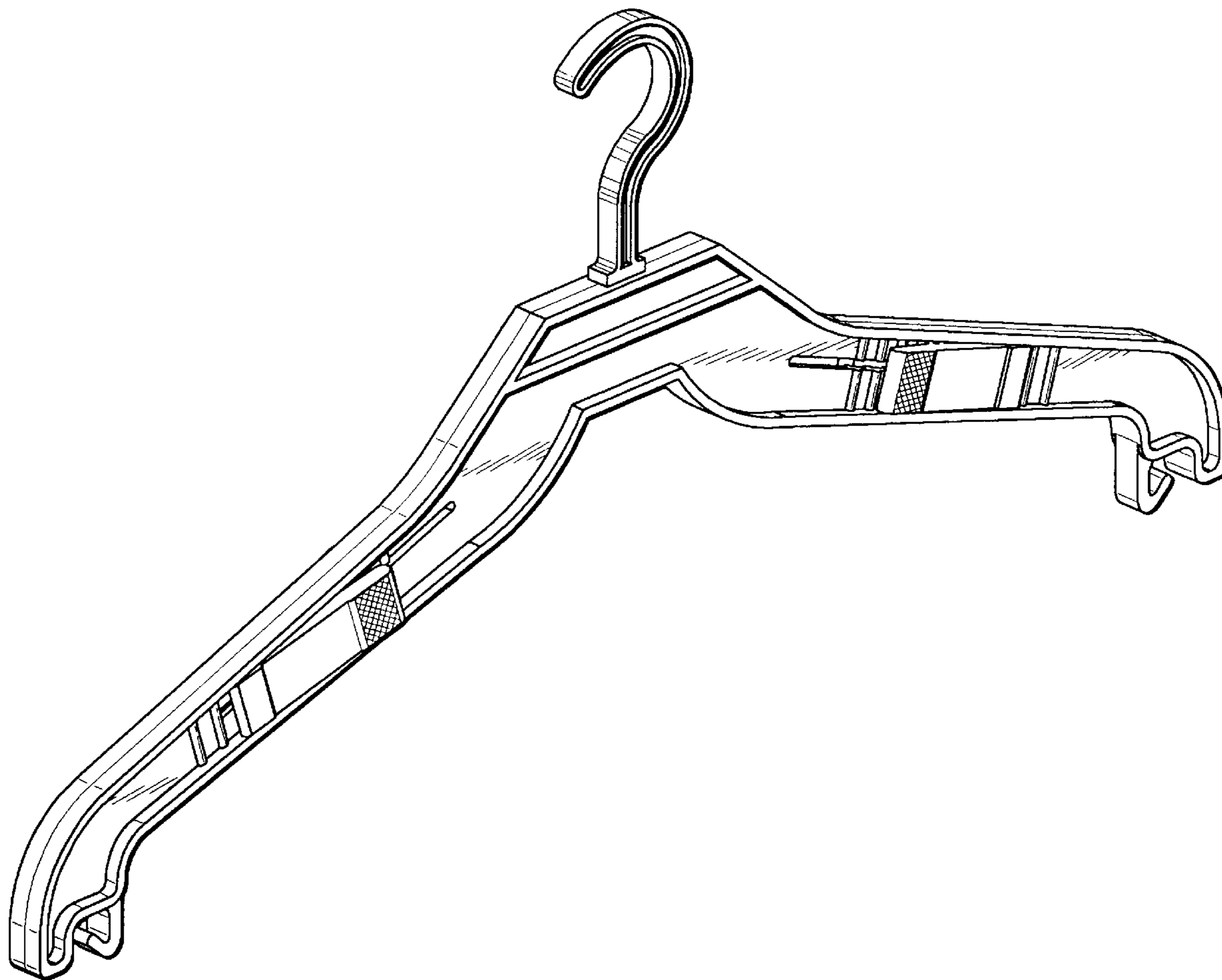
FIG. 1 is a front perspective view showing my new design;  
FIG. 2 is a side elevation thereof;  
FIG. 3 is a top plan view thereof;  
FIG. 4 is a rear elevation view thereof;  
FIG. 5 is a bottom plan view thereof;  
FIG. 6 is an end elevation thereof; and,  
FIG. 7 is an opposite end elevation thereof.

[56] **References Cited**

**U.S. PATENT DOCUMENTS**

D. 131,791	3/1942	Rhodes	.....	D6/318
D. 273,072	3/1984	Batts et al.	.....	D6/318
1,530,857	3/1925	Settle	.....	223/92

**1 Claim, 4 Drawing Sheets**



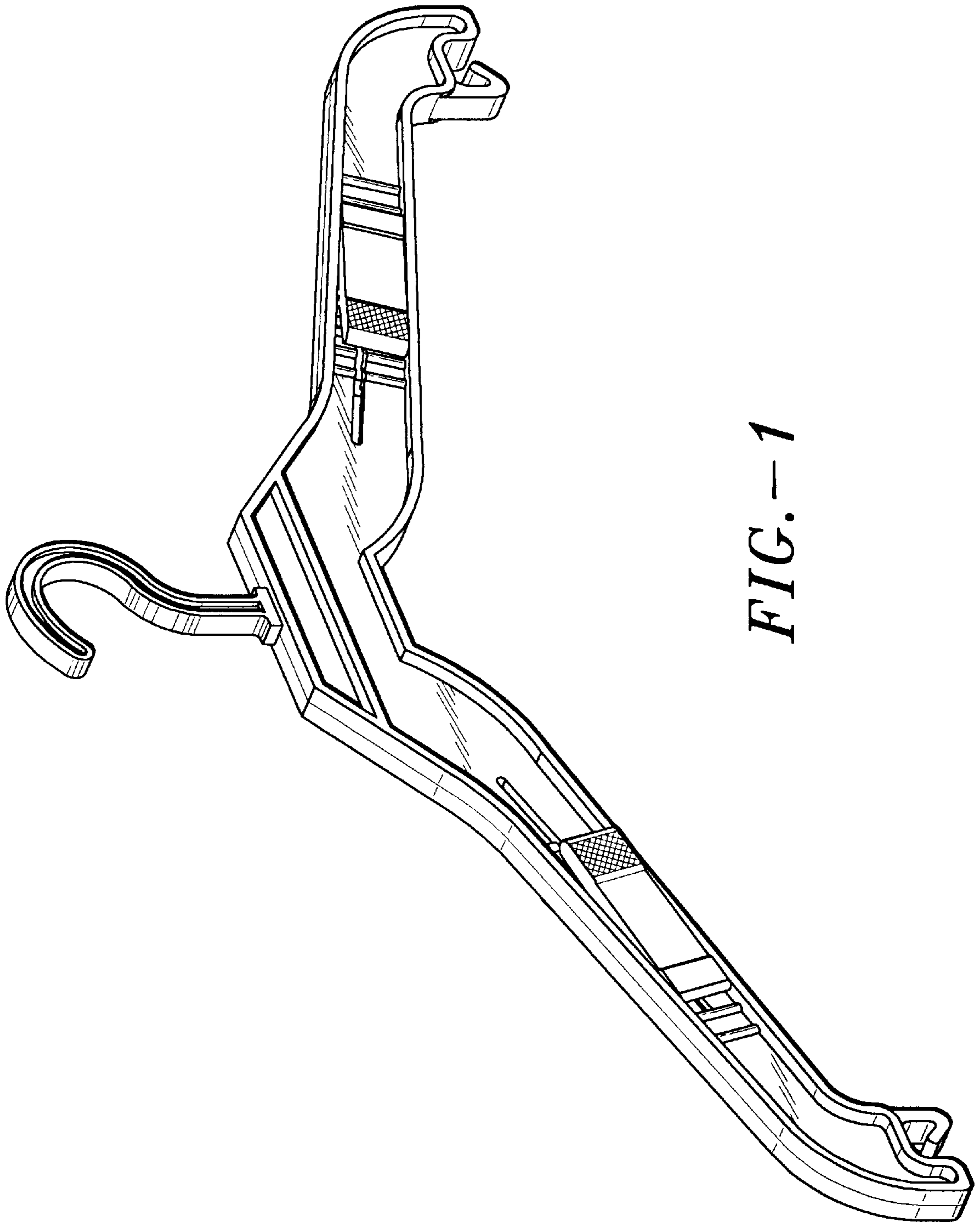


FIG. - 1

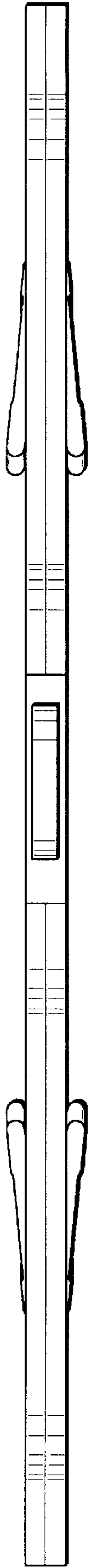


FIG. -3

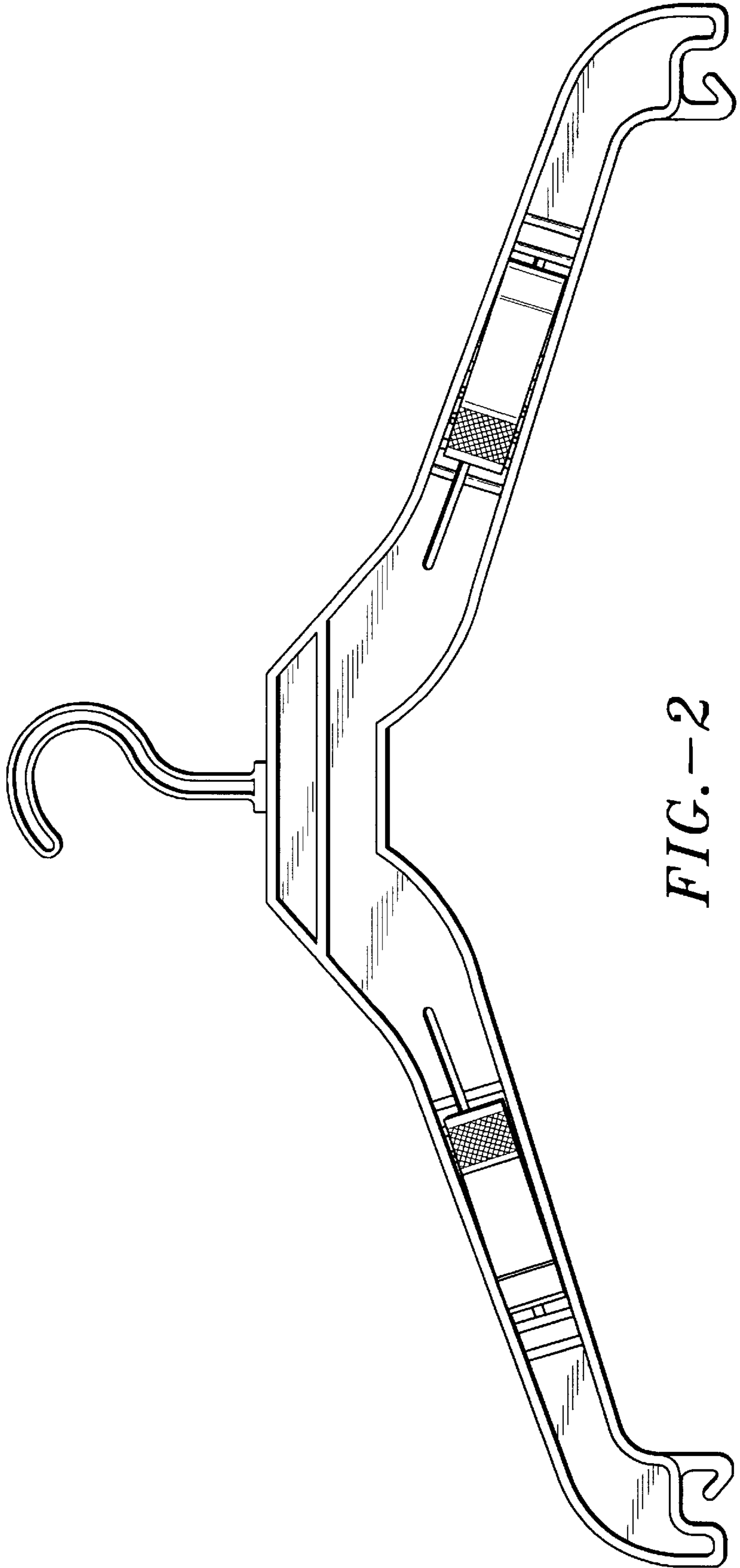


FIG. -2

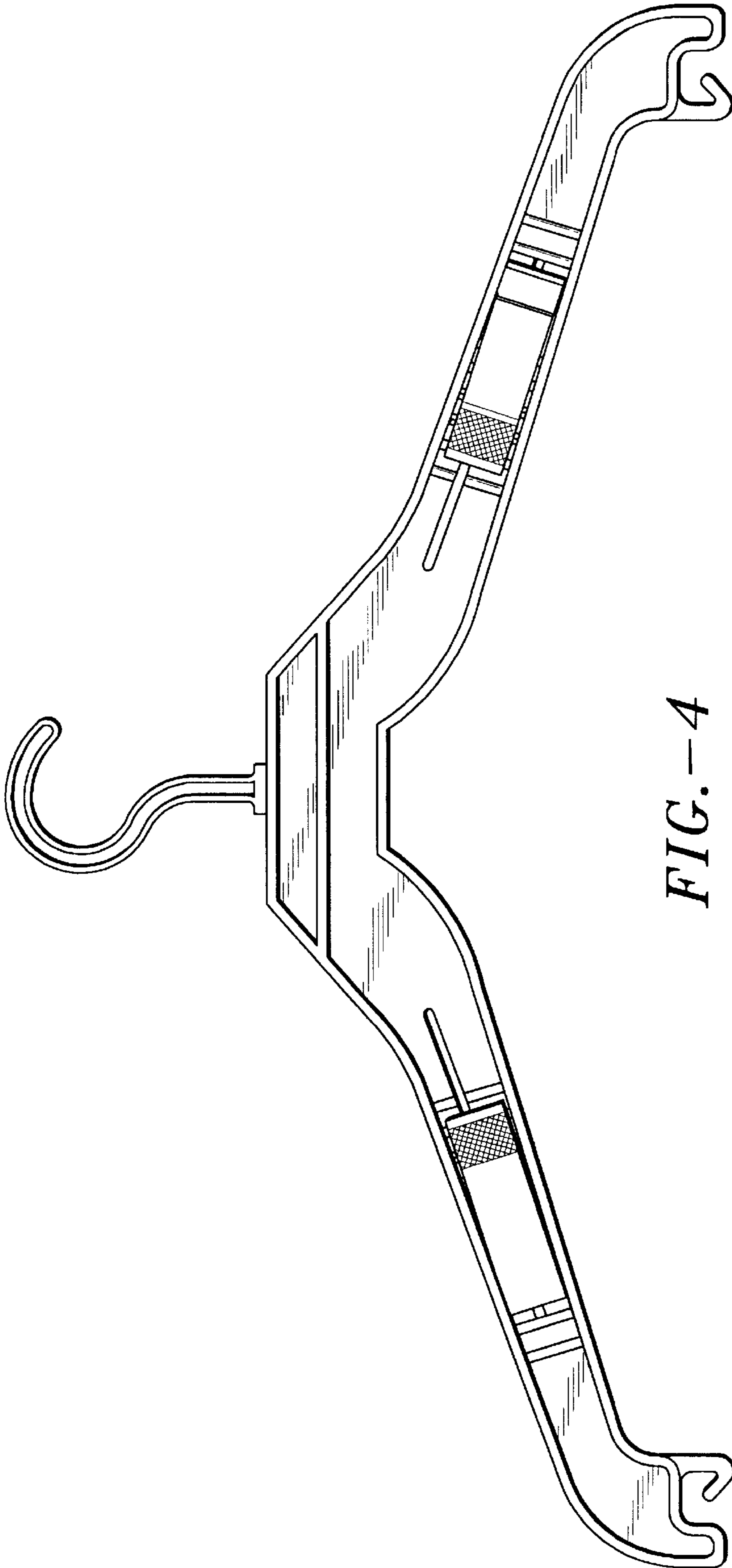


FIG. -4

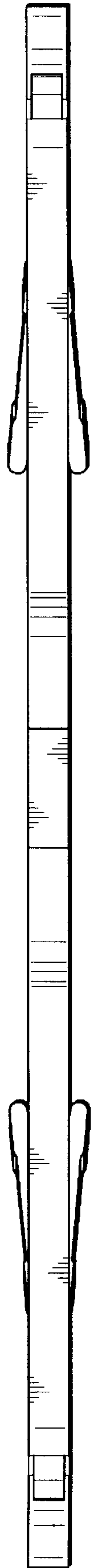
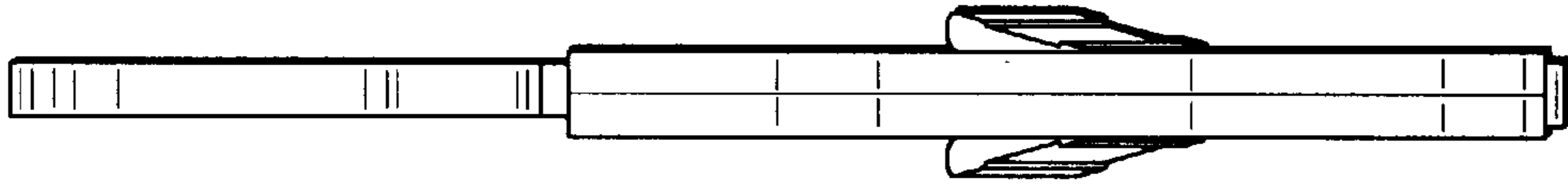
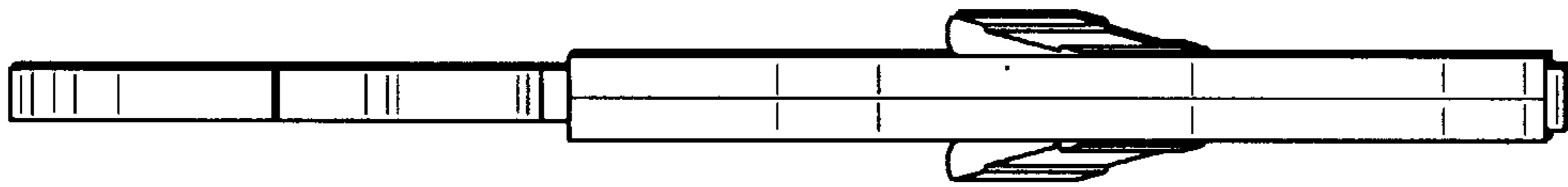


FIG. -5



*FIG. - 7*



*FIG. - 6*