



US00D426385S

United States Patent [19] Fang

[11] Patent Number: Des. 426,385

[45] Date of Patent: ** Jun. 13, 2000

[54] TOOL BOX

[76] Inventor: **Zen-Chien Fang**, 3F, No 89, Yeng-Ho Road, Tu-Cherng City, Taipei Hsien, Taiwan

[**] Term: **14 Years**

[21] Appl. No.: **29/093,907**

[22] Filed: **Sep. 21, 1998**

[51] LOC (7) Cl. **03-01**

[52] U.S. Cl. **D3/282; D3/273; D3/281; D3/905**

[58] Field of Search **D3/228, 273, 276, D3/281, 282, 905; 206/349, 372, 373, 581; D9/430**

[56] **References Cited**

U.S. PATENT DOCUMENTS

D. 347,819	6/1994	Katz	D3/281	X
3,114,038	12/1963	Meador	206/581	
4,951,812	8/1990	Chen	206/373	X
5,145,064	9/1992	Chen	206/372	
5,301,829	4/1994	Chrisco	206/373	X
5,429,235	7/1995	Chen	206/373	
5,533,843	7/1996	Chung	206/349	X

Primary Examiner—Stella Reid
Assistant Examiner—Monica A. Weingart
Attorney, Agent, or Firm—A & J

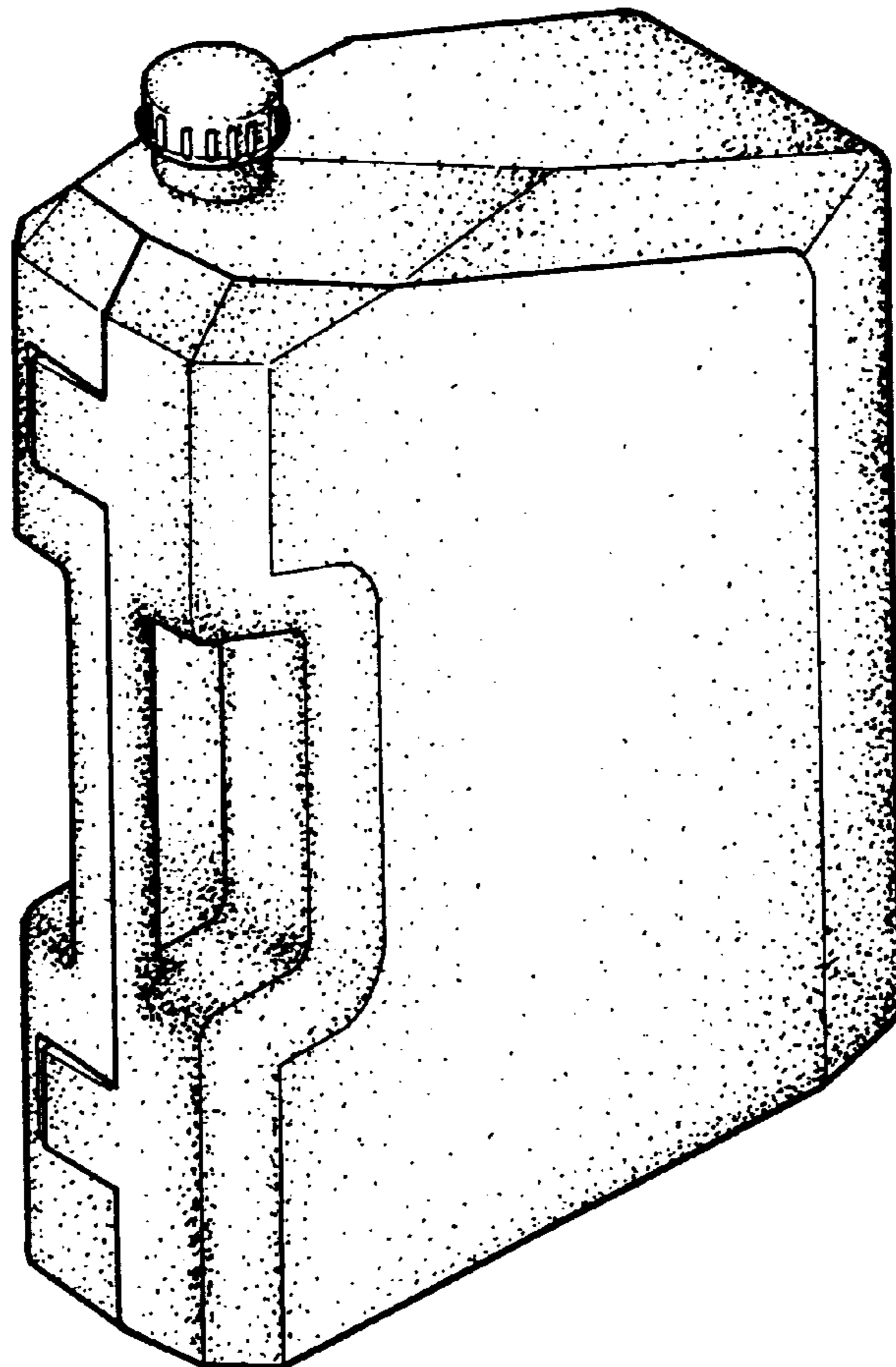
[57] **CLAIM**

The ornamental design for a tool box, as shown and described.

DESCRIPTION

FIG. 1 is a front-left-top perspective view of a tool box, showing my new design;
FIG. 2 is a front elevational view thereof;
FIG. 3 is a rear elevational view thereof;
FIG. 4 is a left side view thereof;
FIG. 5 is a right side view thereof;
FIG. 6 is a top plan view thereof;
FIG. 7 is a bottom plan view thereof;
FIG. 8 is a perspective view of the tool box of my new design, the broken line drawing of the interior of the tool box is for illustrative purposes only and forms no part of the claimed design; and,
FIG. 9 is another perspective view of the tool box of my new design, the broken line drawing of the interior of the tool box is for illustrative purposes only and forms no part of the claimed design.

1 Claim, 5 Drawing Sheets



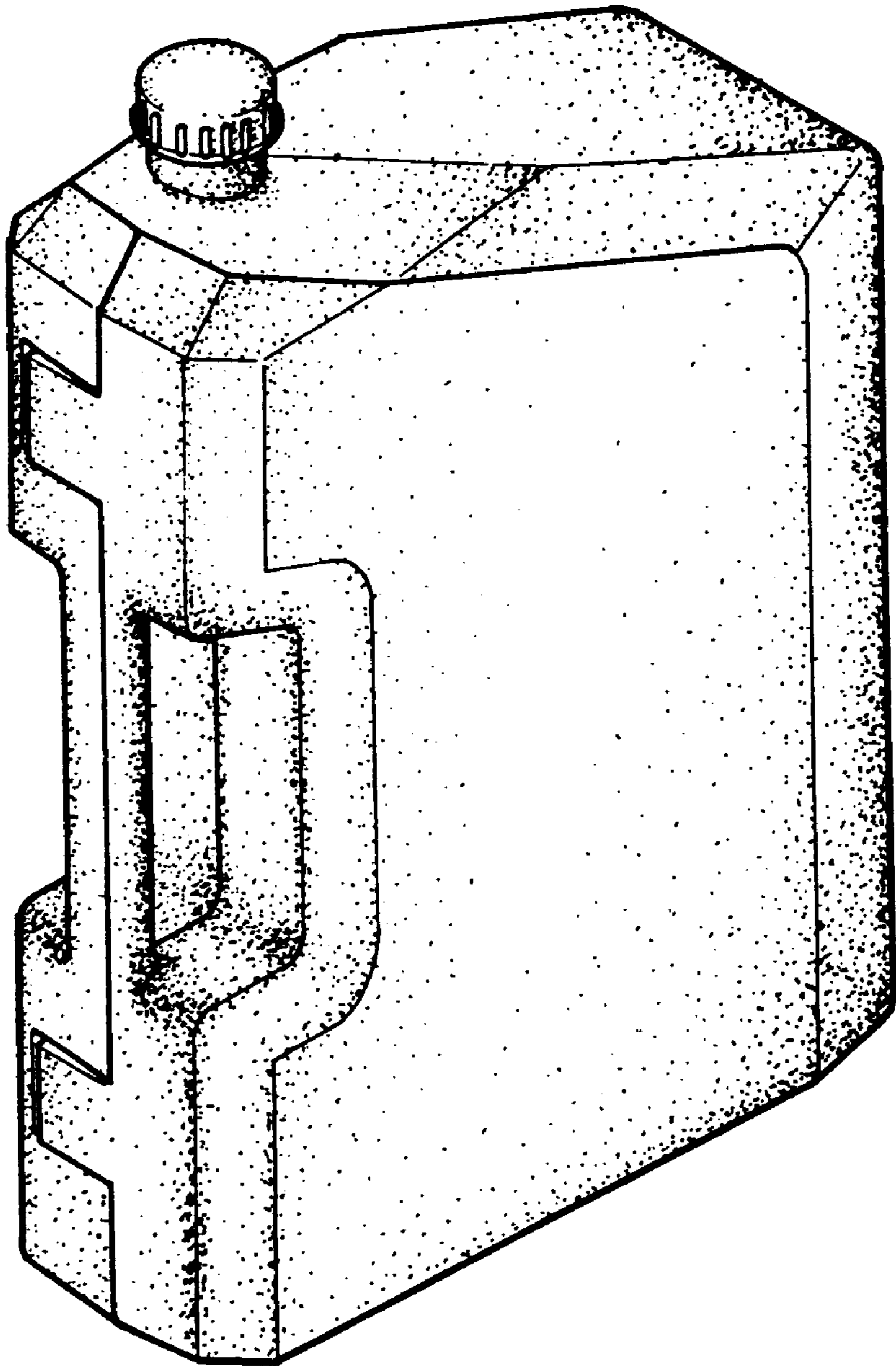


FIG. 1

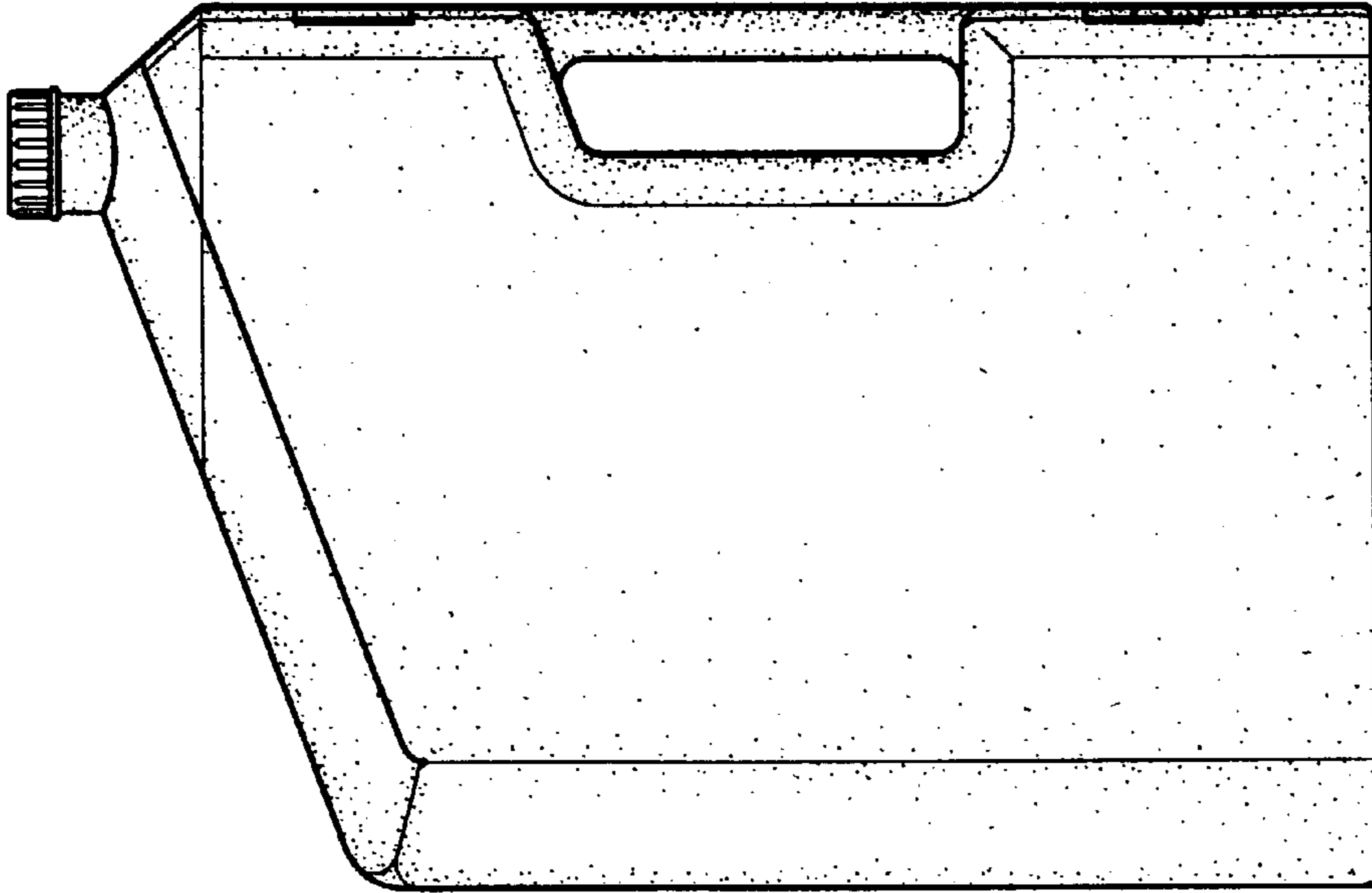


FIG. 3

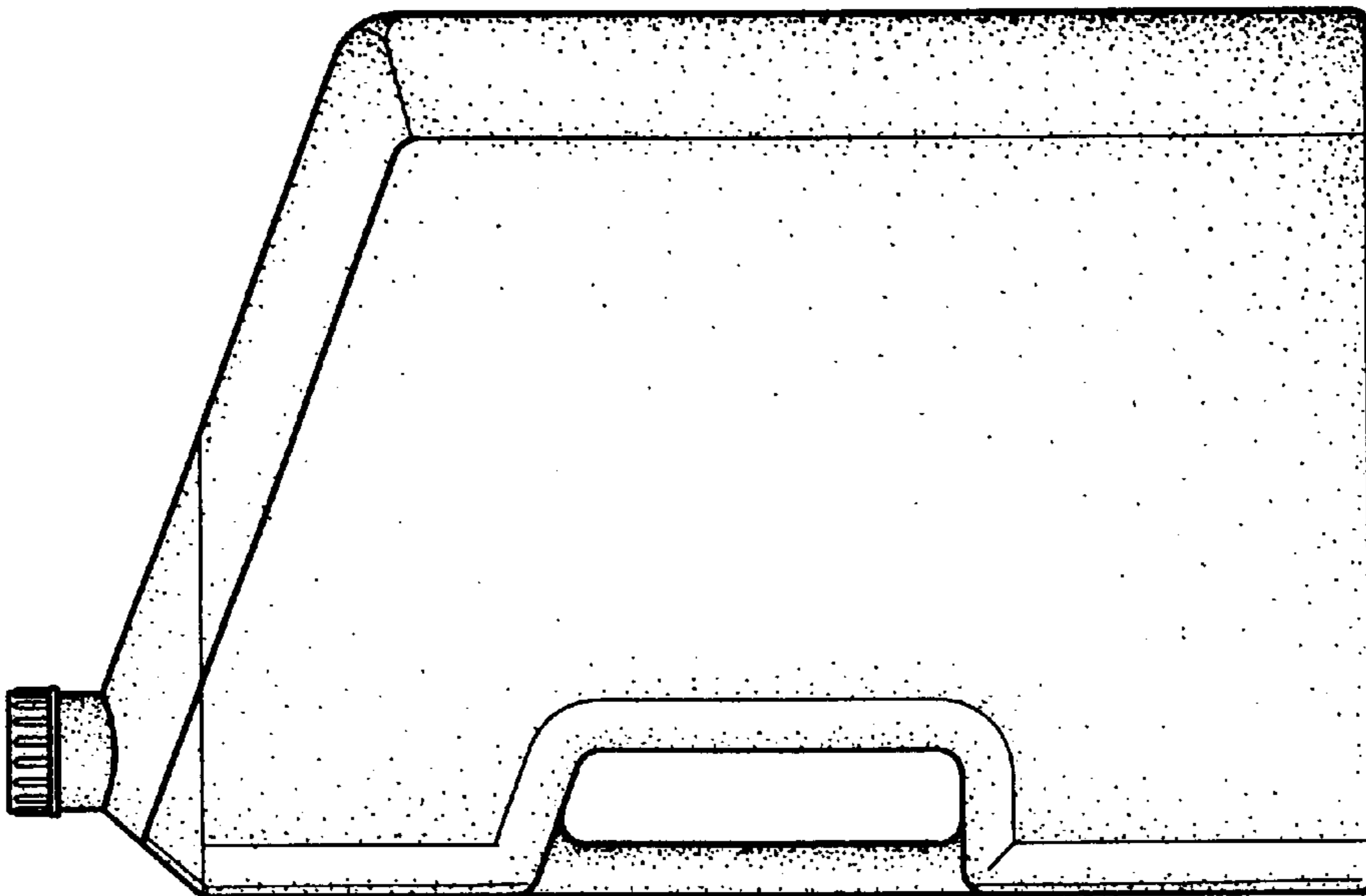


FIG. 2

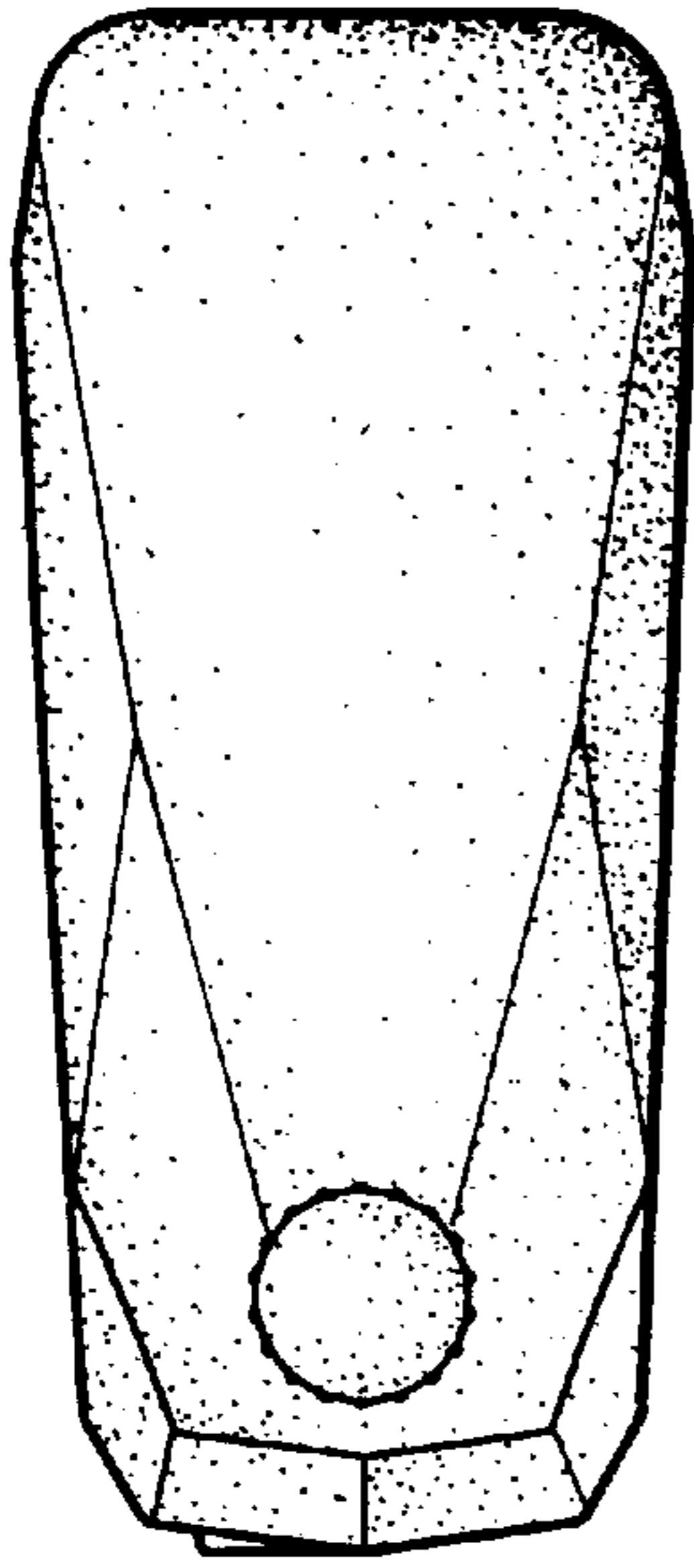


FIG. 4

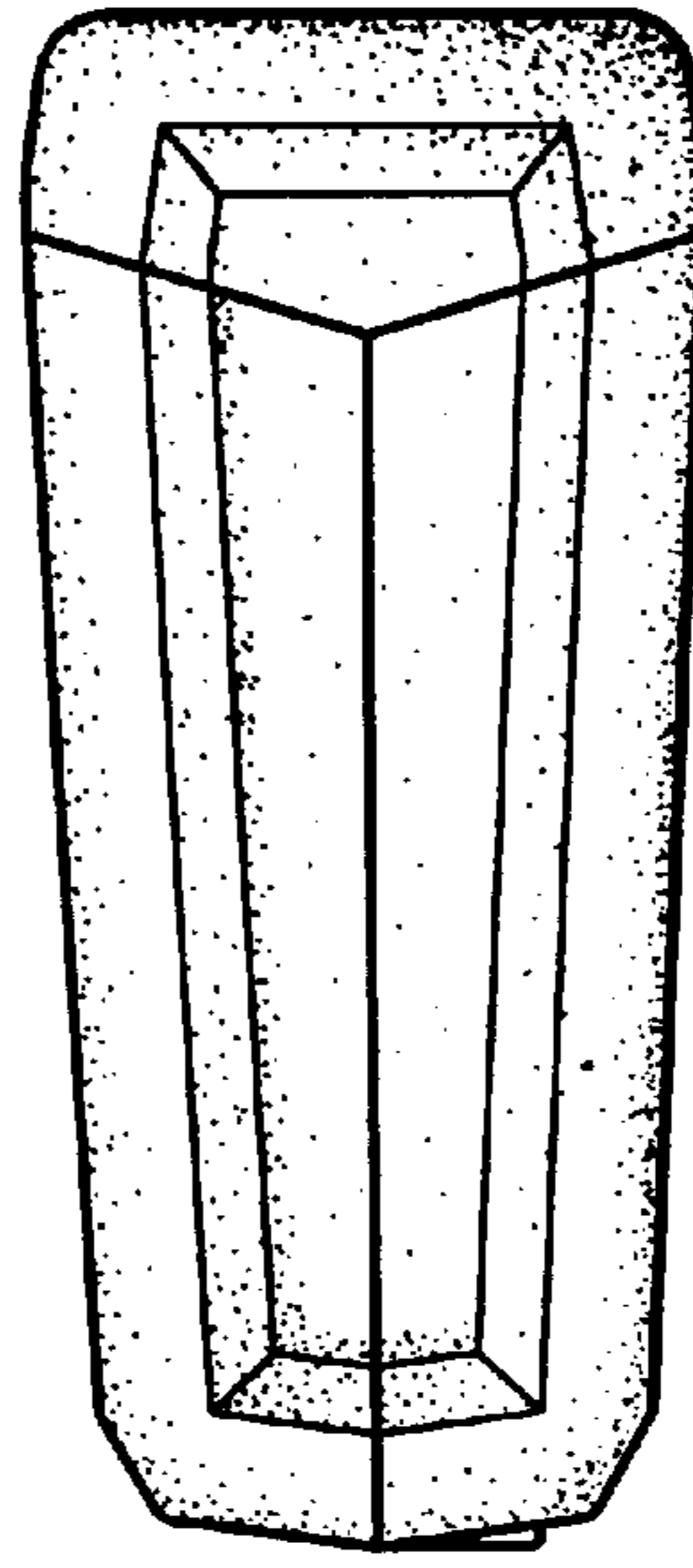


FIG. 5

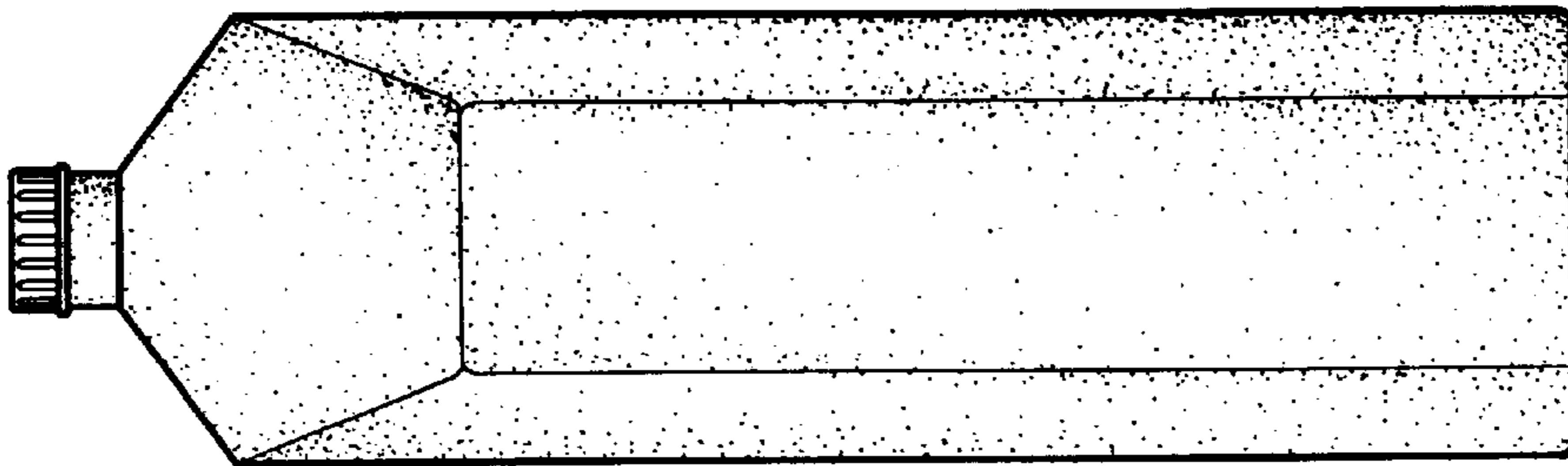


FIG. 7

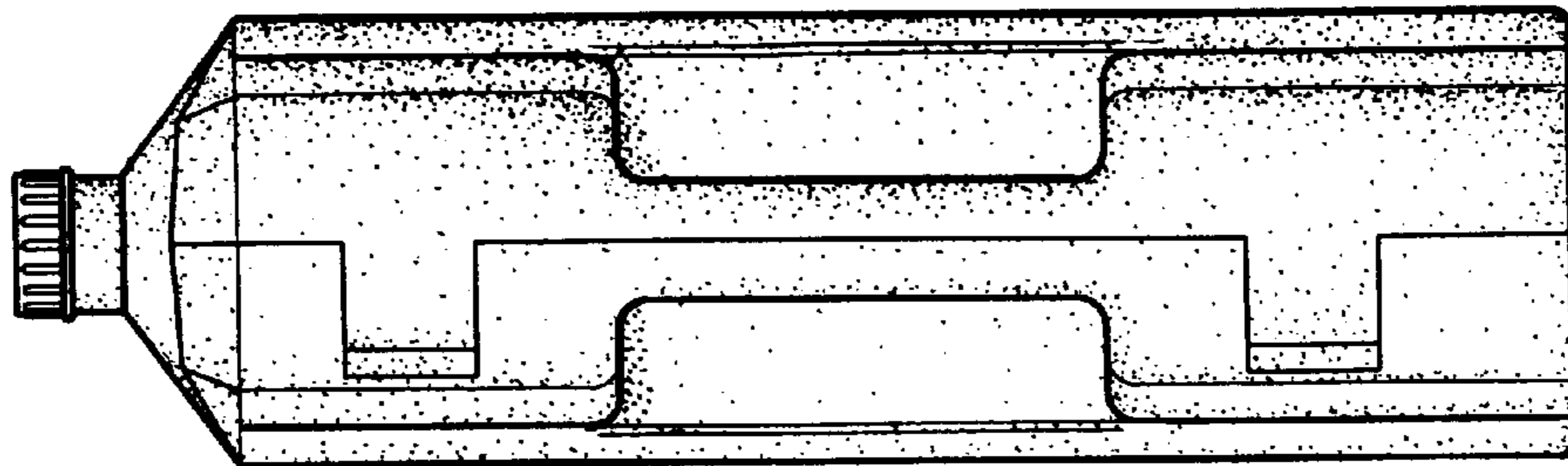


FIG. 6

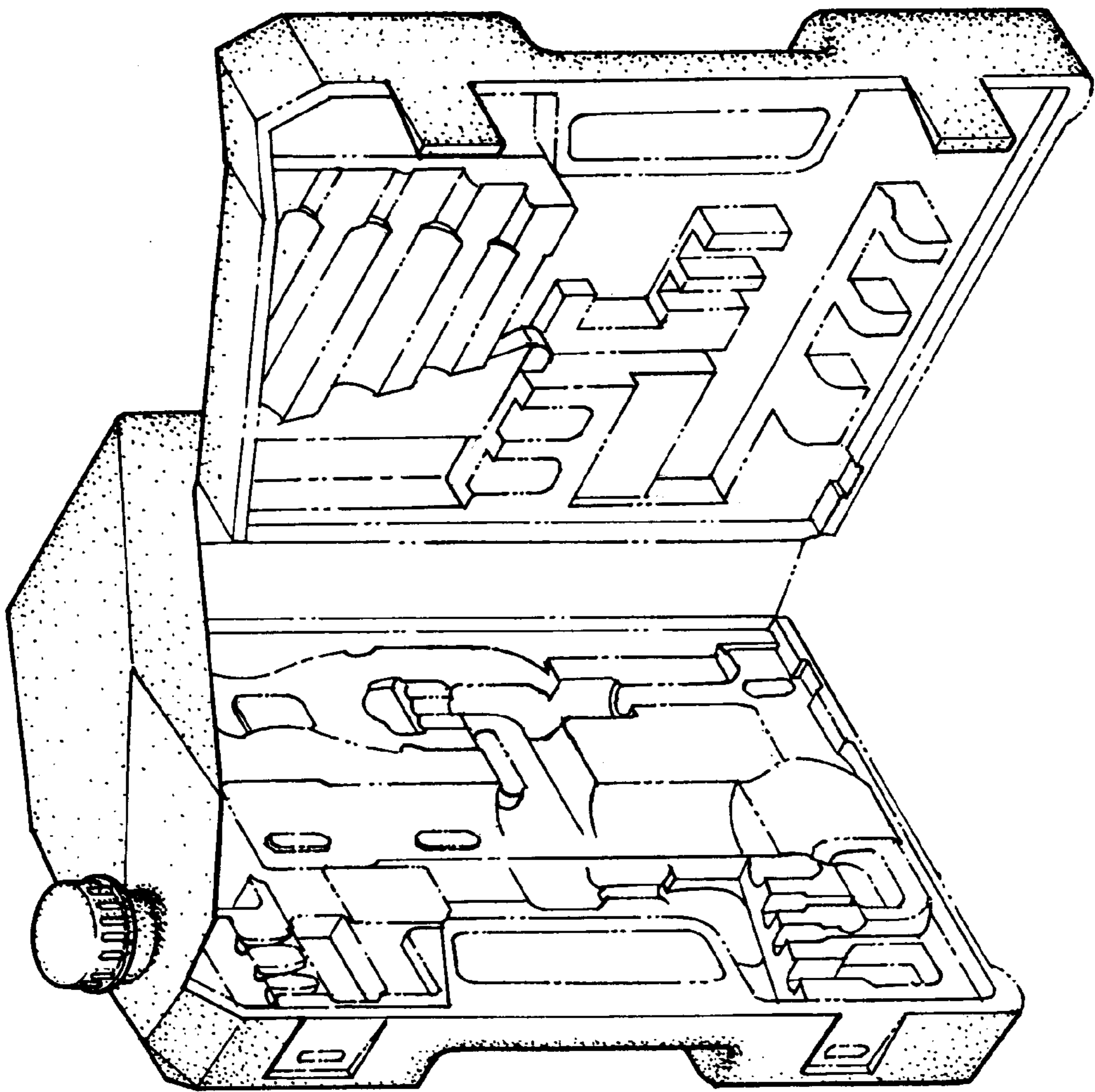


FIG. 8

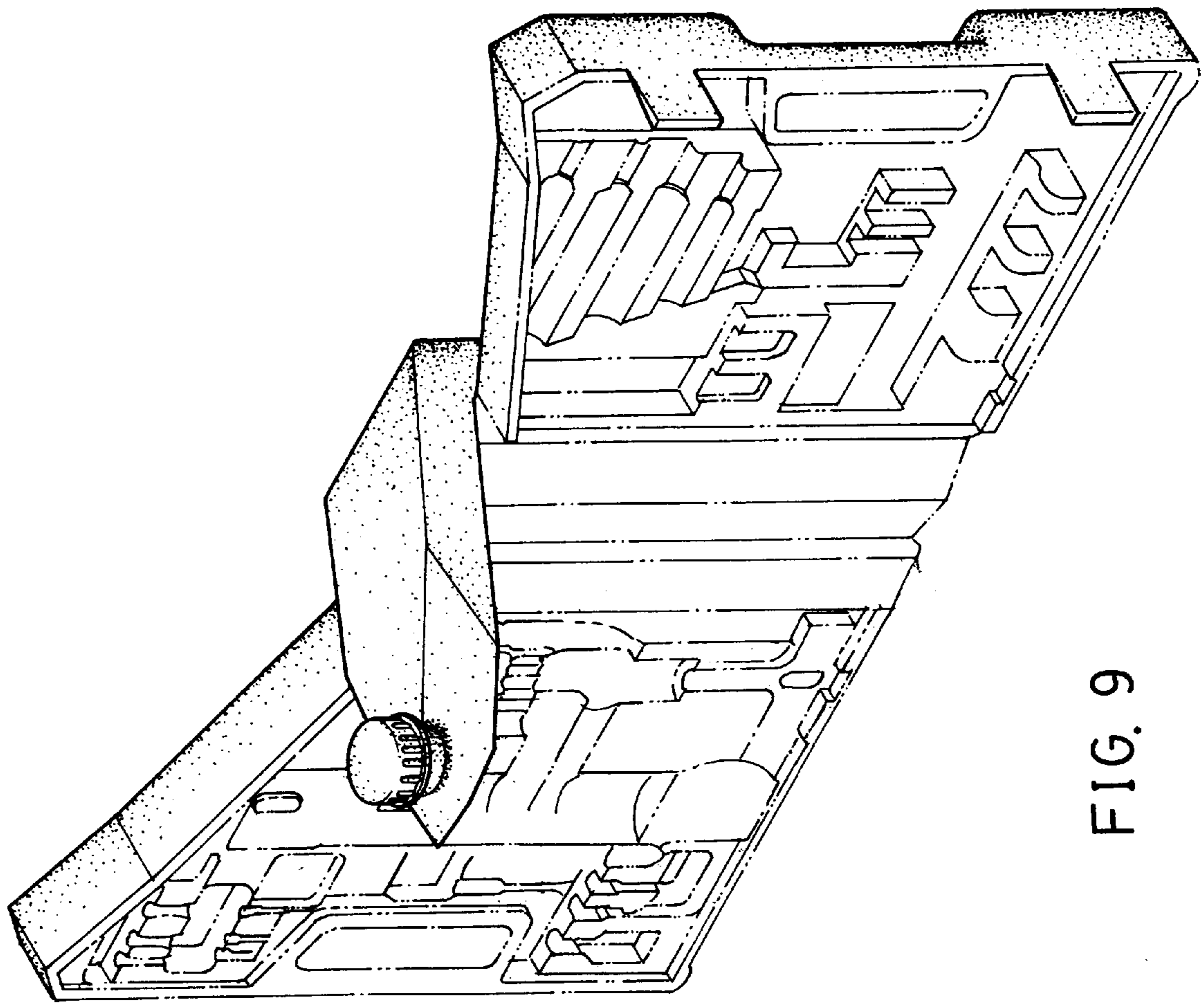


FIG. 9