



US00D426384S

United States Patent [19] Brouard

[11] Patent Number: Des. 426,384

[45] Date of Patent: ** Jun. 13, 2000

[54] BAG

[76] Inventor: **Roger H. Brouard**, 34 Fairmead Rd.,
Darien, Conn. 06820

[**] Term: **14 Years**

[21] Appl. No.: **29/108,939**

[22] Filed: **Aug. 5, 1999**

[51] LOC (7) Cl. **03-01**

[52] U.S. Cl. **D3/276; D3/283; D3/289;**
D3/905

[58] Field of Search D3/273, 276, 283,
D3/284, 285, 286, 289, 291, 905; 206/372,
373, 349, 379; 190/100, 110, 111, 112

[56] **References Cited**

U.S. PATENT DOCUMENTS

D. 280,044	8/1985	Allen	D3/283
D. 284,623	7/1986	Gerch	D3/274
D. 315,985	4/1991	Gerch et al.	D3/283
D. 339,687	9/1993	Guidi	D3/283
D. 346,693	5/1994	Saltzman et al.	D3/289
D. 360,977	8/1995	Katz	D3/276
D. 360,978	8/1995	Willard et al.	D3/276
D. 396,144	7/1998	Farmer	D3/287
3,086,572	4/1963	Lubin	.	
4,738,547	4/1988	Brown	383/39
4,773,535	9/1988	Cook	206/373
5,174,447	12/1992	Fleming	383/39
5,423,404	6/1995	Shaw	190/102
5,653,337	8/1997	Cirigliano	206/373

OTHER PUBLICATIONS

Duluth Trading Co., Catalog 97131 Copyright 1997.
Duluth Trading Co., Catalog 98972.
Alta Industries Tradesman Series Catalog.

Plano Drawer Systems Toolboxes Brochure.

Plano Hard Bottoms, Saw Bag and Bucket Holsters Brochure.

Primary Examiner—Philip S. Hyder
Attorney, Agent, or Firm—Ware, Fressola, Van der Sluys & Adolphson LLP

[57] **CLAIM**

I claim the ornamental design for a bag, as shown and described.

DESCRIPTION

FIG. 1 is a perspective view of the bag in a closed position;

FIG. 2 is a right side view of the bag;

FIG. 3 is a right end view of the bag;

FIG. 4 is a top view of the bag;

FIG. 5 is a bottom view of the bag;

FIG. 6 is a perspective view of the bag in an open position; and,

FIG. 7 is a perspective view of a second embodiment of the bag in a closed position.

The broken lines shown in the figures are for illustrative purposes only and form no part of the claimed design.

The left side view is identical to the right side view shown. The left end view is identical to the right end view shown.

The second embodiment of the invention is identical to the embodiment shown in FIGS. 1–6 except the relative height and length dimensions are slightly different.

1 Claim, 6 Drawing Sheets





FIG. 1



FIG. 2

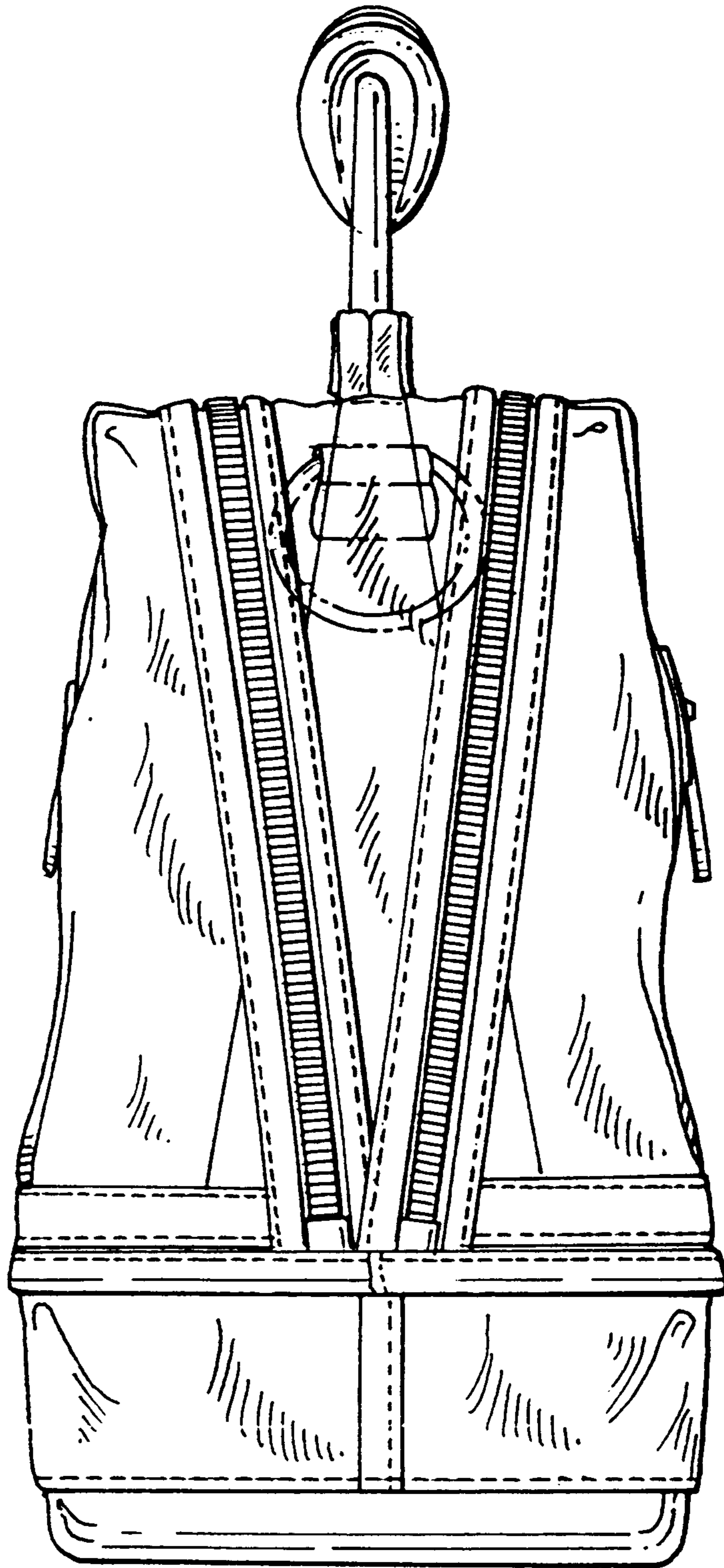


FIG. 3

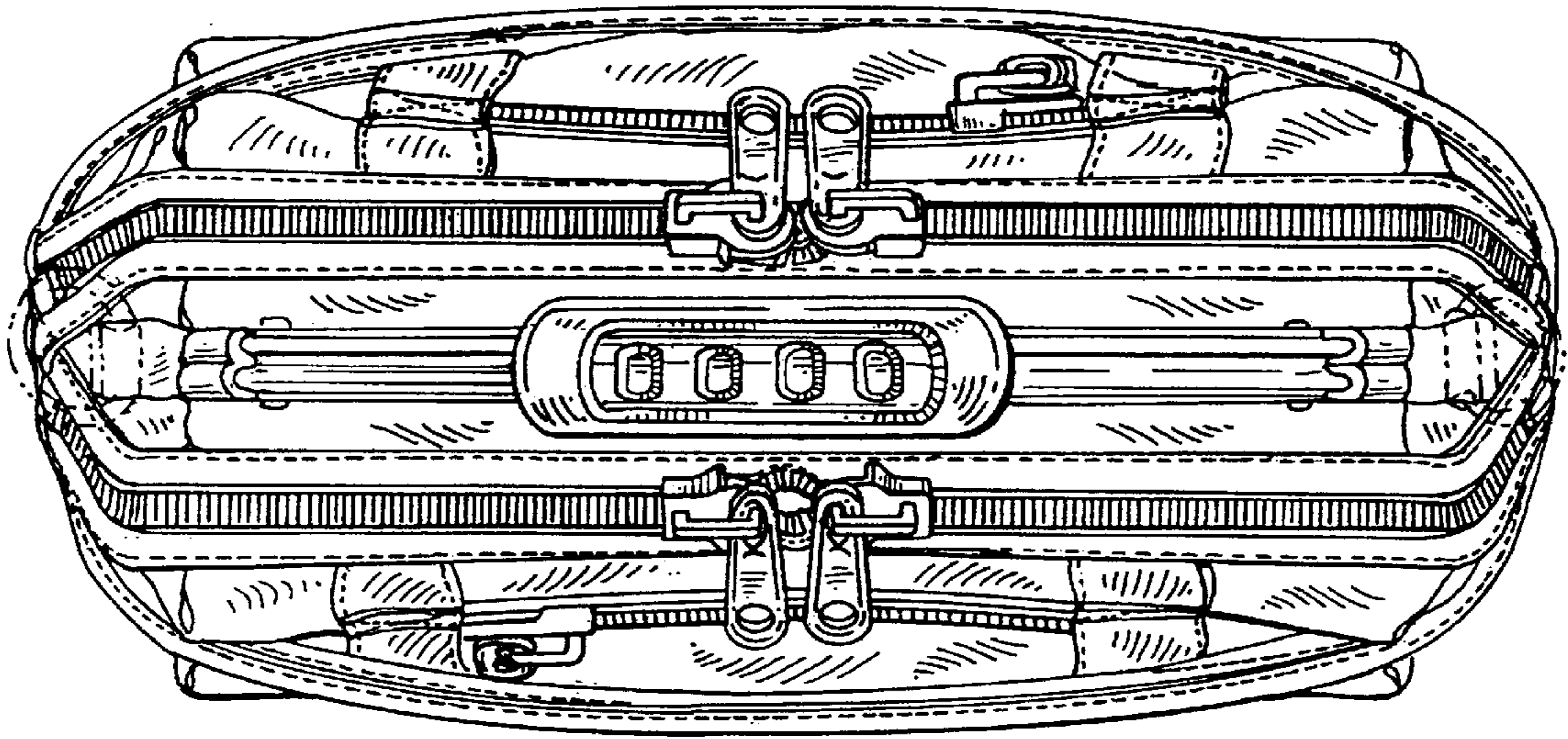


FIG. 4

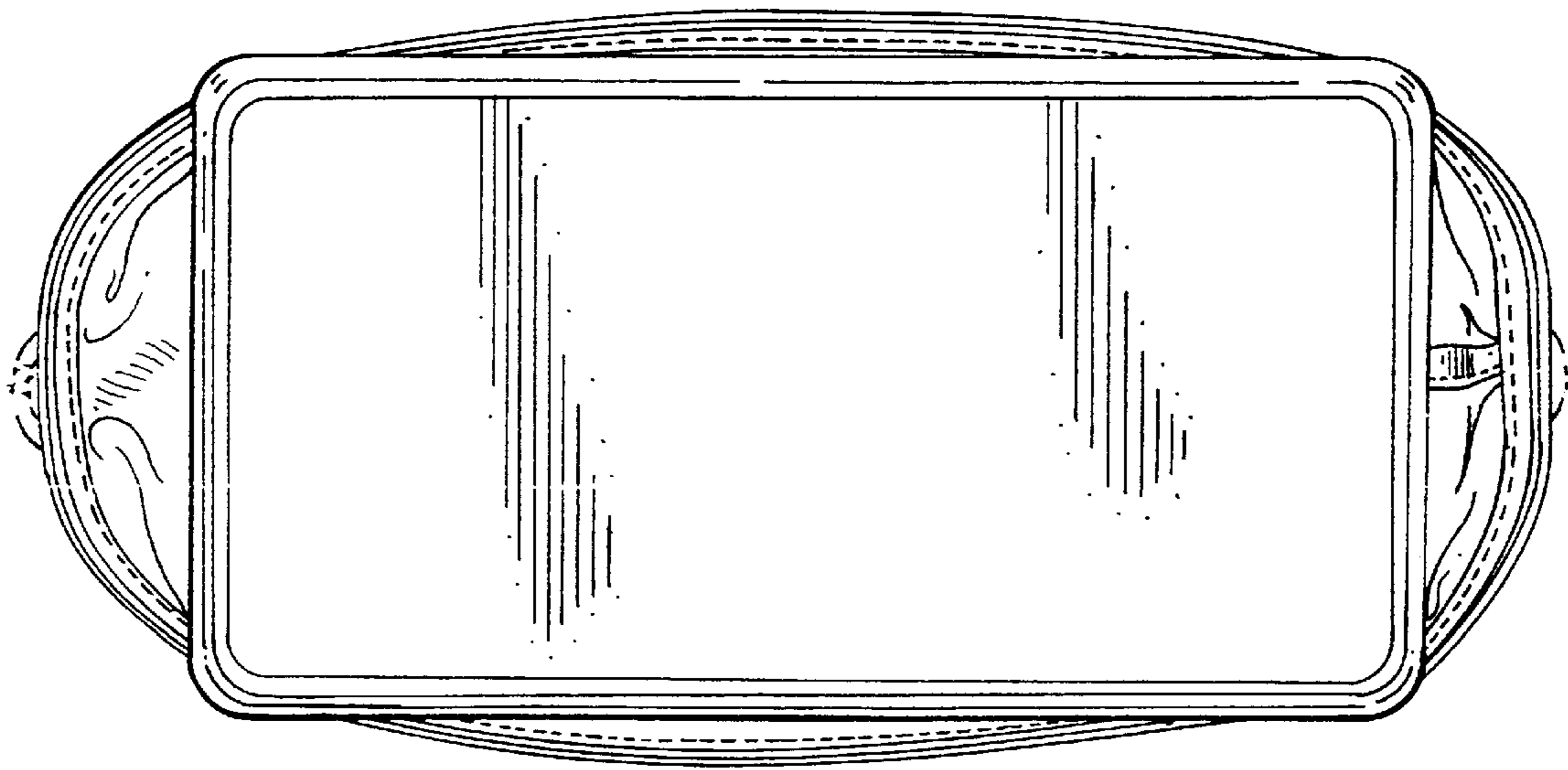


FIG. 5

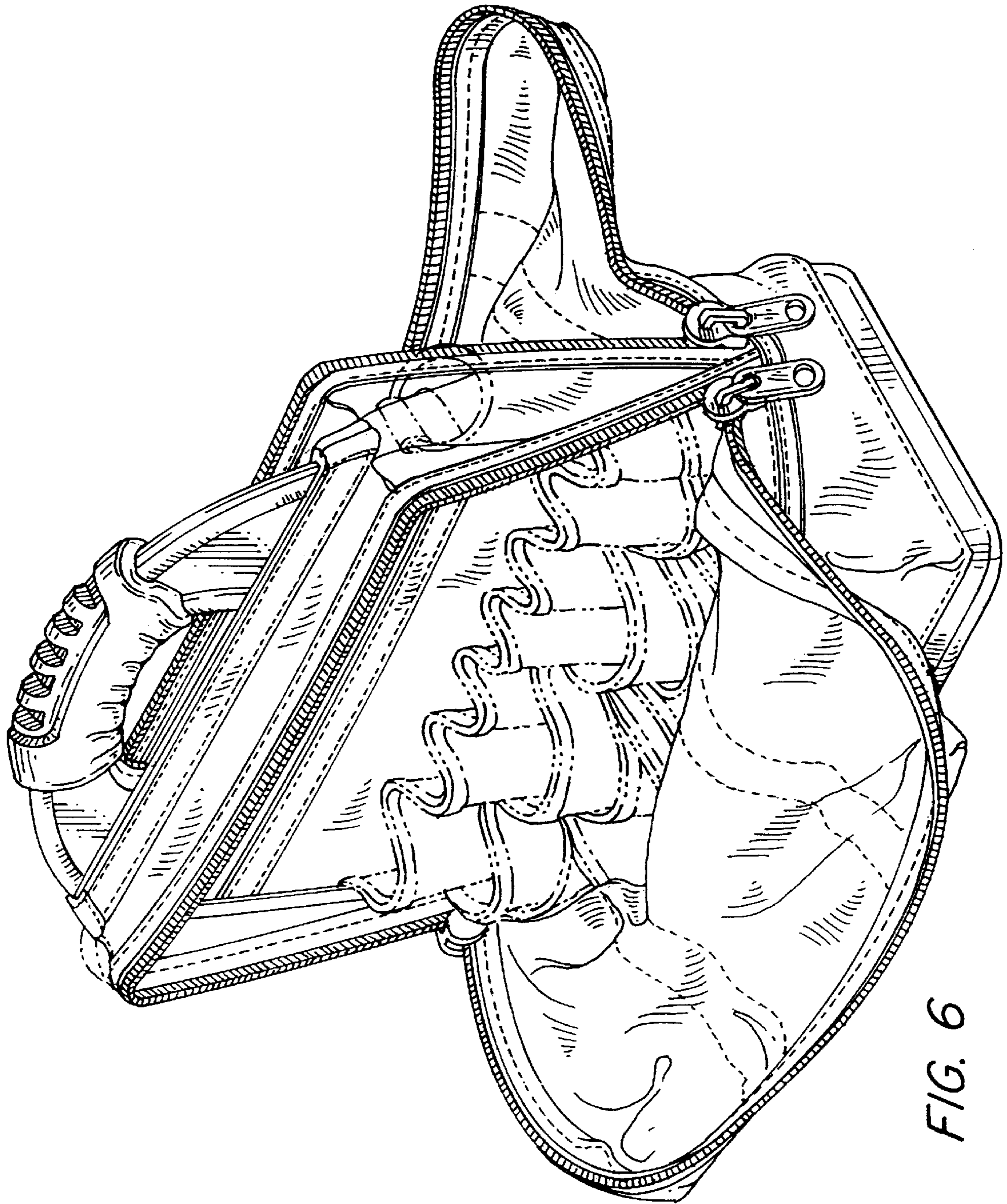


FIG. 6

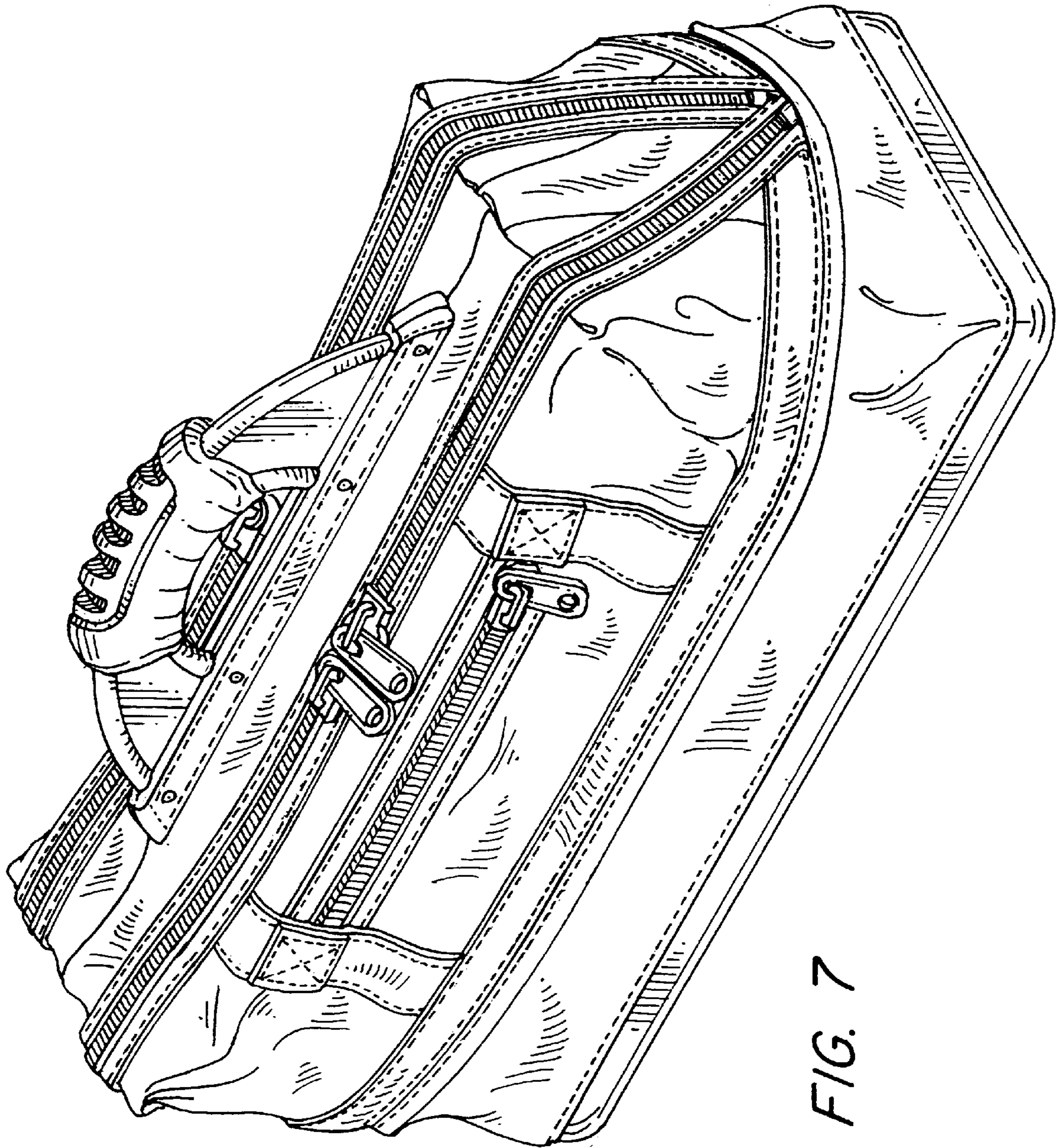


FIG. 7