



US00D426381S

United States Patent [19]

Au et al.

[11] Patent Number: Des. 426,381

[45] Date of Patent: ** Jun. 13, 2000

[54] CONTAINER FOR EYEGLASSES AND WATCH

[75] Inventors: **Kinsen Ka Fai Au; Juan Qiang Siao**, both of Hong Kong, The Hong Kong Special Administrative Region of the People's Republic of China

D. 334,466	4/1993	Oudemans	D3/265
353,203	1/1886	Chase	206/5
D. 353,712	12/1994	Aalders	D3/265
D. 379,263	5/1997	Sussman	D3/264
D. 397,551	9/1998	Shefler	D3/265
D. 407,556	4/1999	Au	D3/265
663,647	12/1900	Wells	206/6
903,737	11/1908	Lembcke	206/5
1,302,341	4/1919	Falb	206/5

[73] Assignee: **Nationalpak Limited**, Tuen Mun, The Hong Kong Special Administrative Region of the People's Republic of China

Primary Examiner—Celia Murphy
Attorney, Agent, or Firm—Raymond Y. Chen; David and Raymond

[**] Term: 14 Years

[57] CLAIM

[21] Appl. No.: 29/113,525

The ornamental design for a container for eyeglasses and watch, as shown.

[22] Filed: Nov. 8, 1999

DESCRIPTION

[51] LOC (7) Cl. 03-01
 [52] U.S. Cl. D3/265; D3/201
 [58] Field of Search D3/201, 243, 247, D3/263, 264, 265, 266, 268; 24/3.8; 150/36; 205/701; 206/5, 5.1, 6, 37, 440; 422/292; D9/341; D16/130; 134/143; 224/903

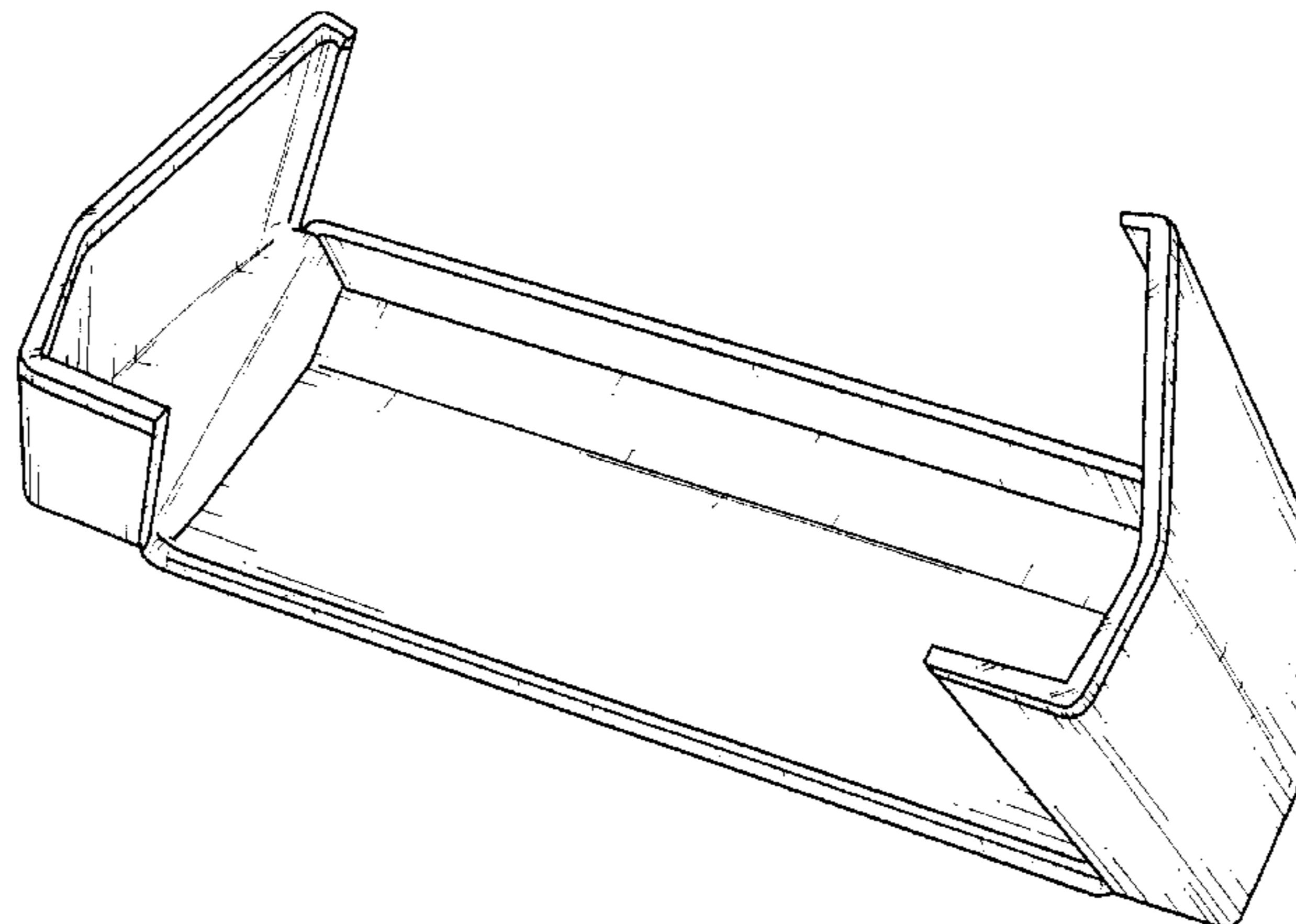
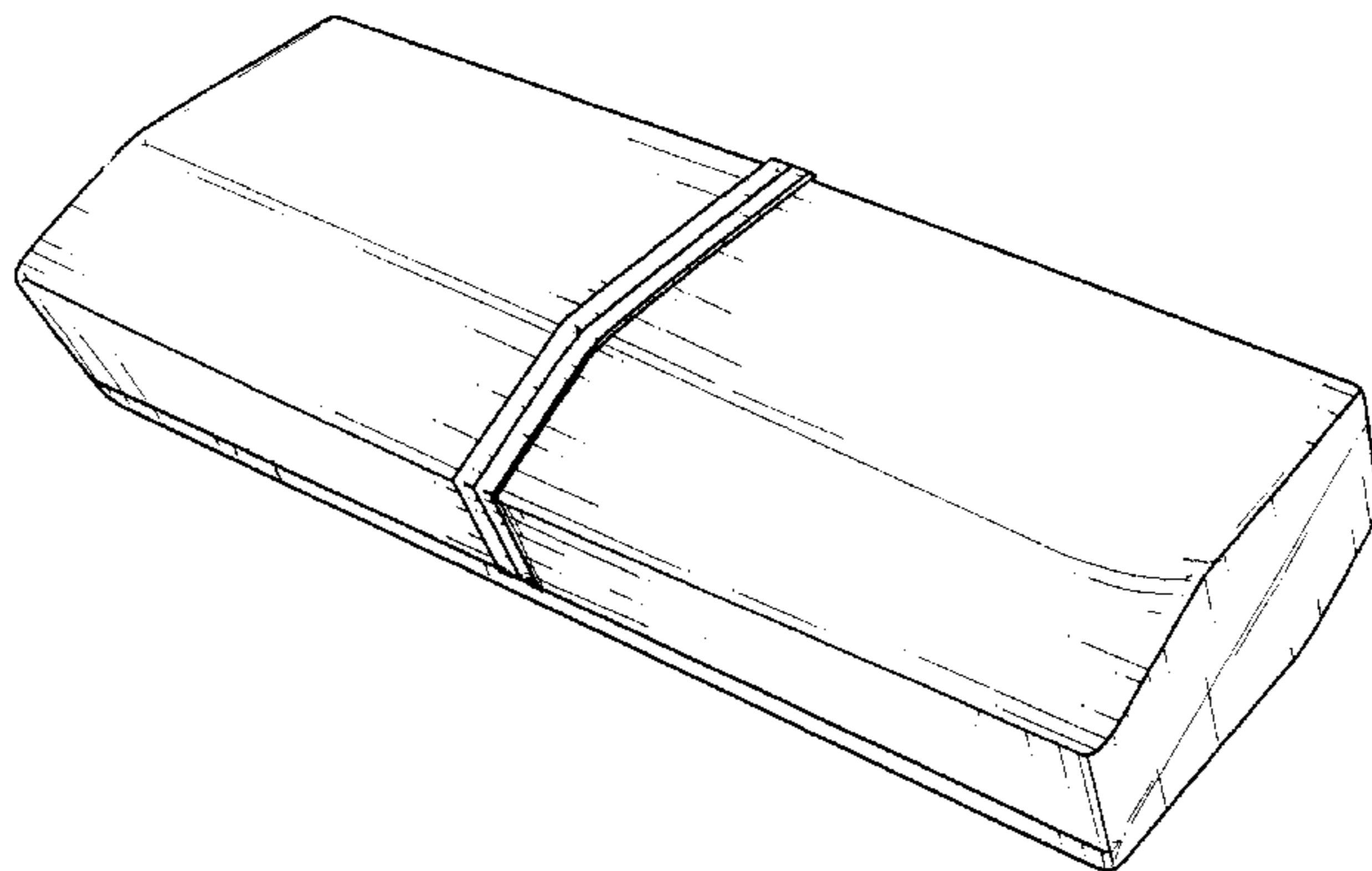
FIG. 1 is a perspective view showing my new design.
 FIG. 2 is a front view thereof.
 FIG. 3 is a right end view thereof.
 FIG. 4 is a left end view thereof.
 FIG. 5 is a rear view thereof.
 FIG. 6 is a top view thereof.
 FIG. 7 is a bottom view thereof; and,
 FIG. 8 is another perspective view thereof in opened condition.

[56] References Cited

U.S. PATENT DOCUMENTS

D. 118,934	2/1940	Goldin	D3/265
D. 246,140	10/1977	Johnson	D3/282

1 Claim, 4 Drawing Sheets



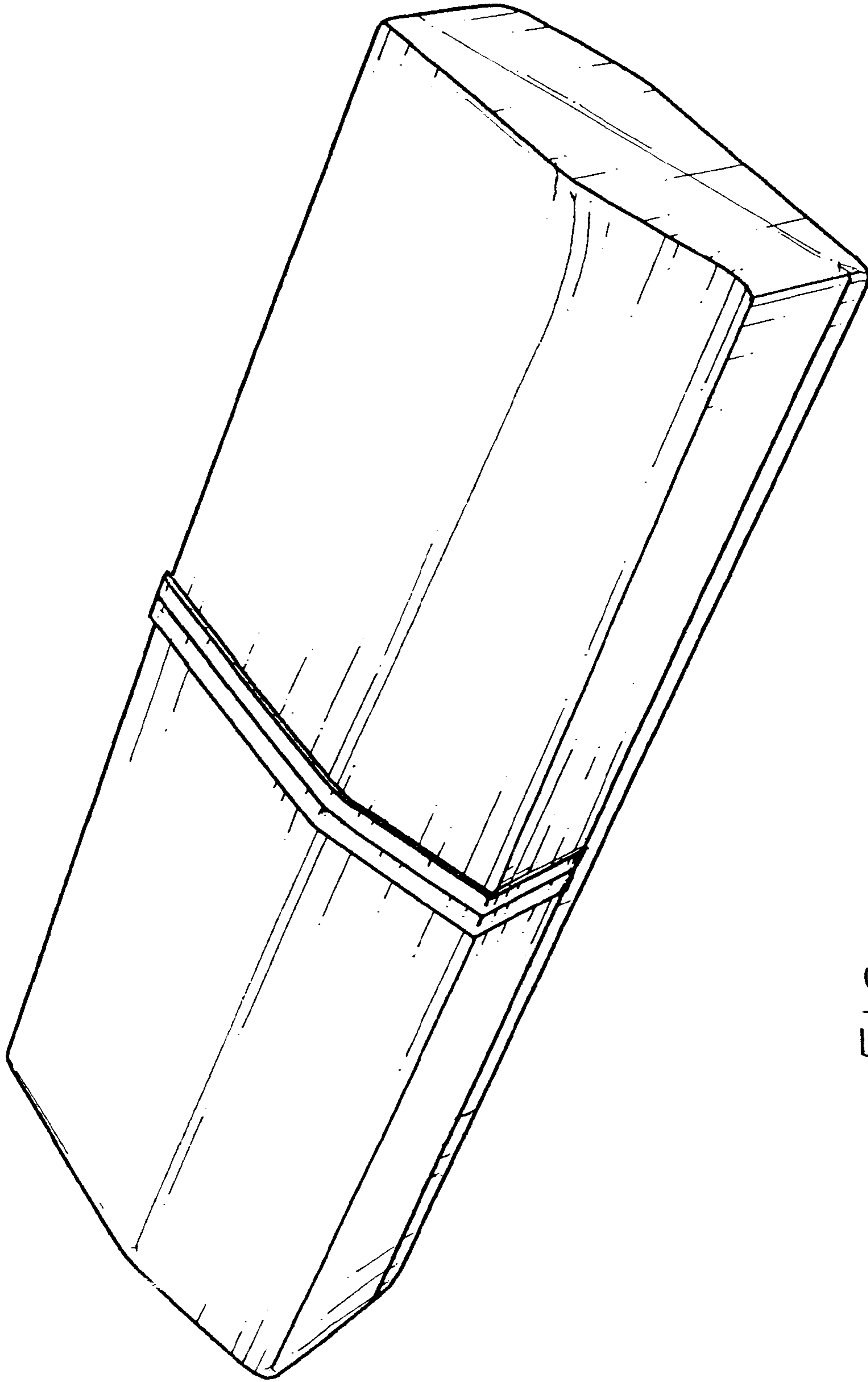


FIG 1

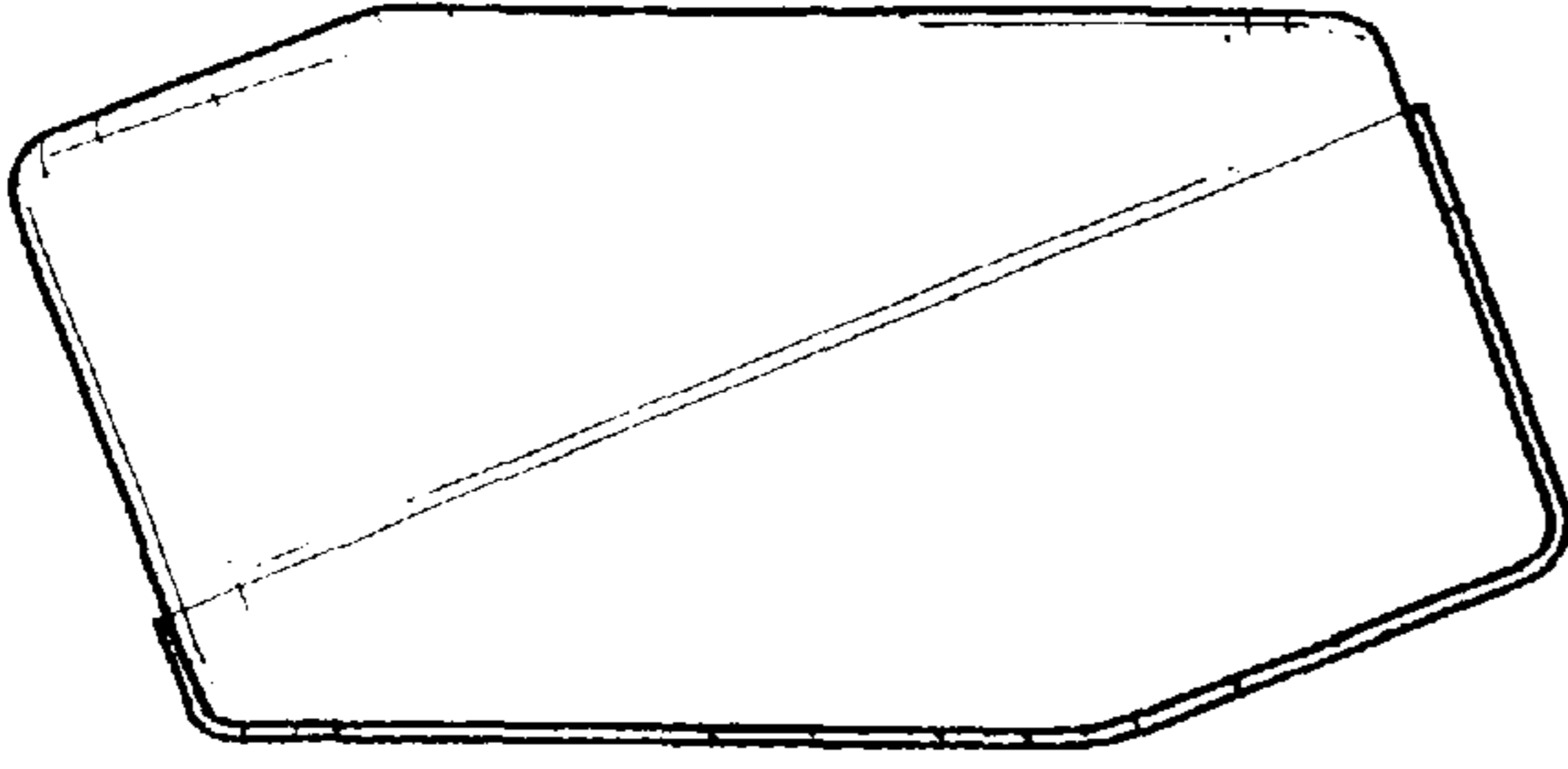


FIG 3

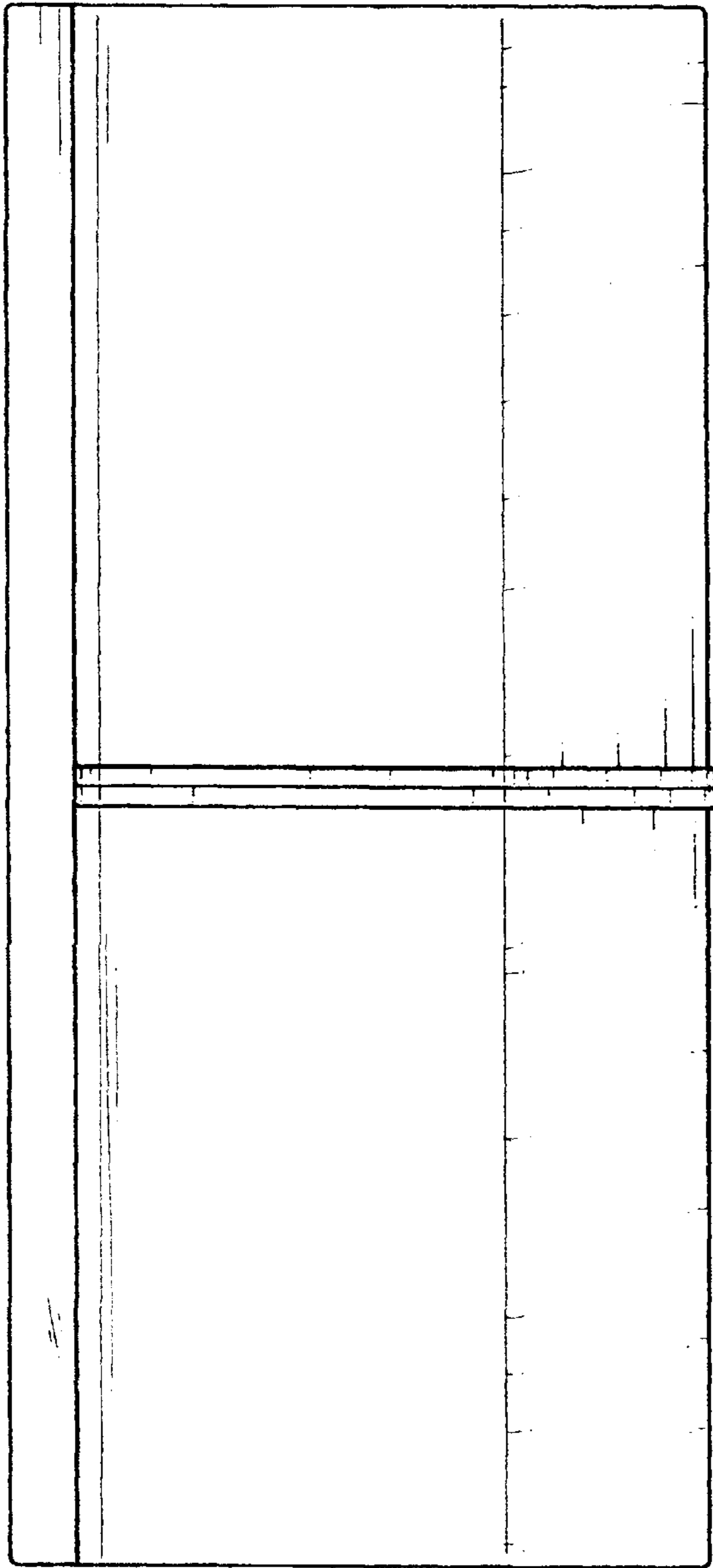


FIG 2

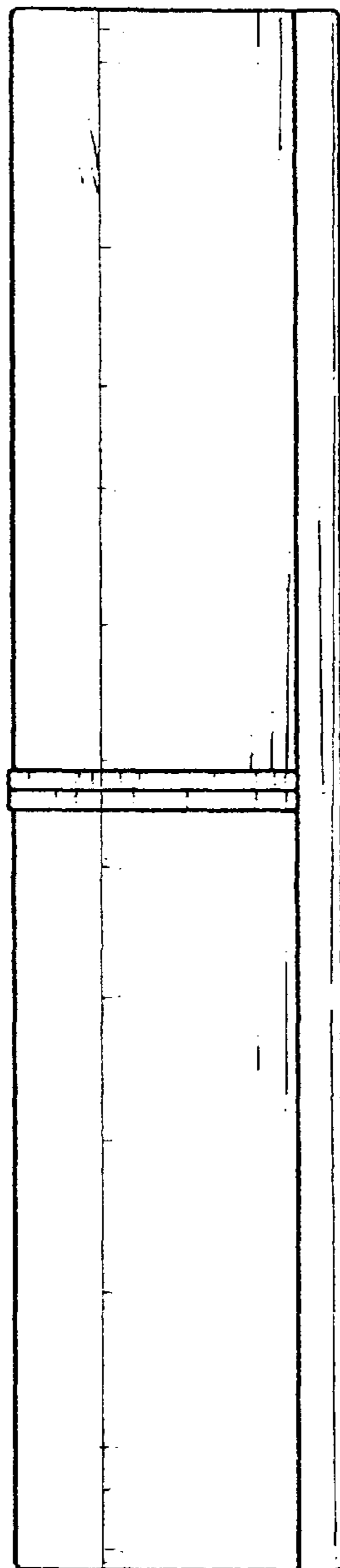


FIG 7

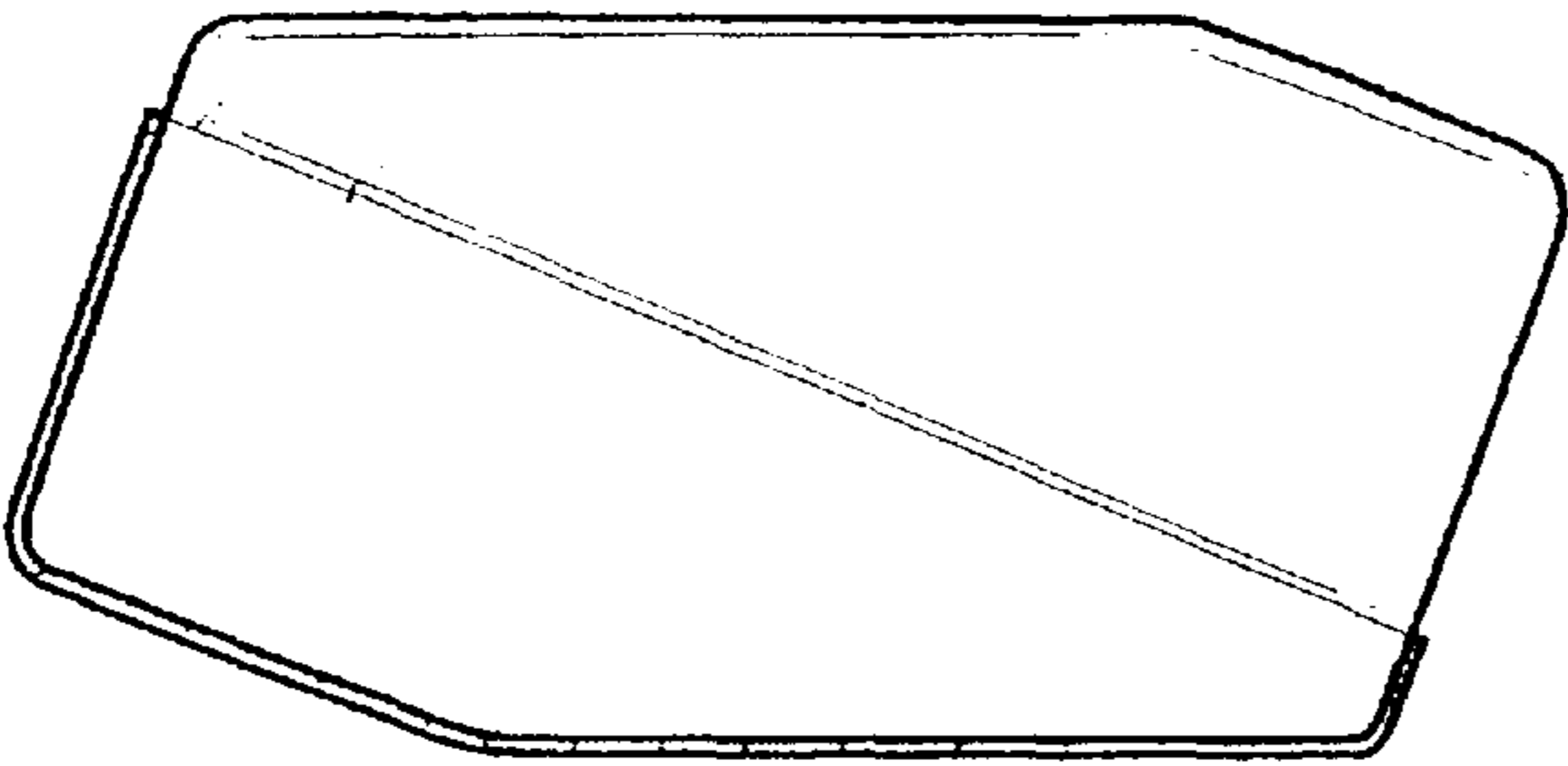


FIG 4

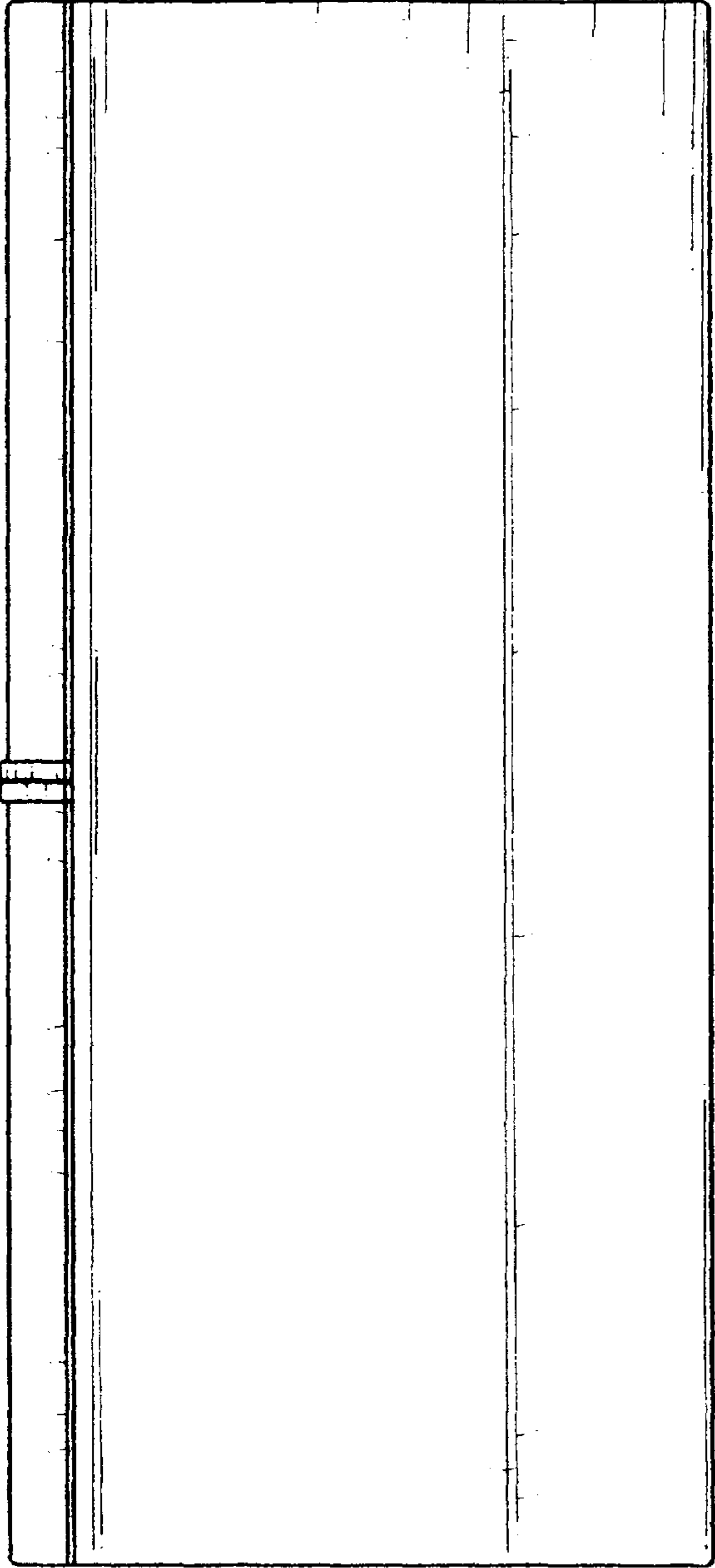


FIG 5

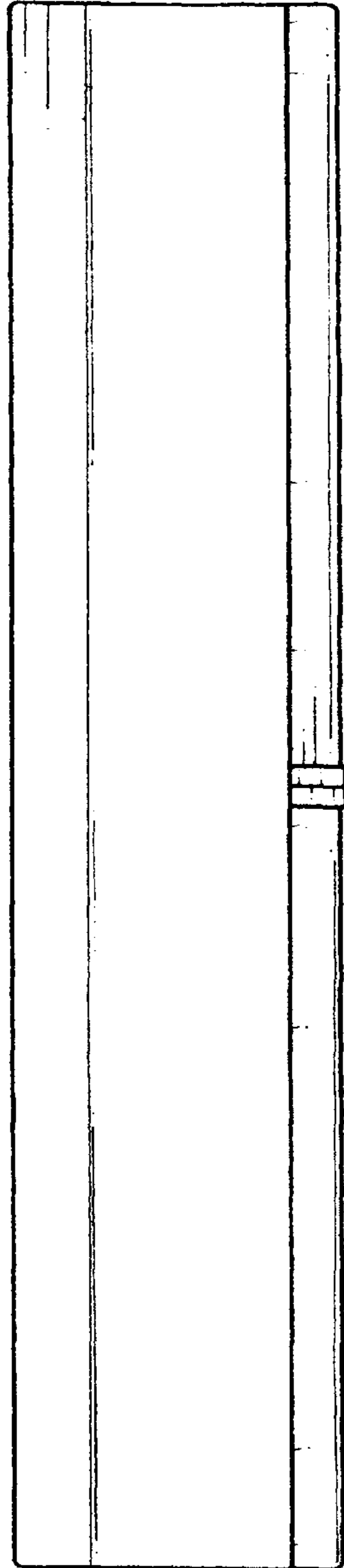


FIG 6

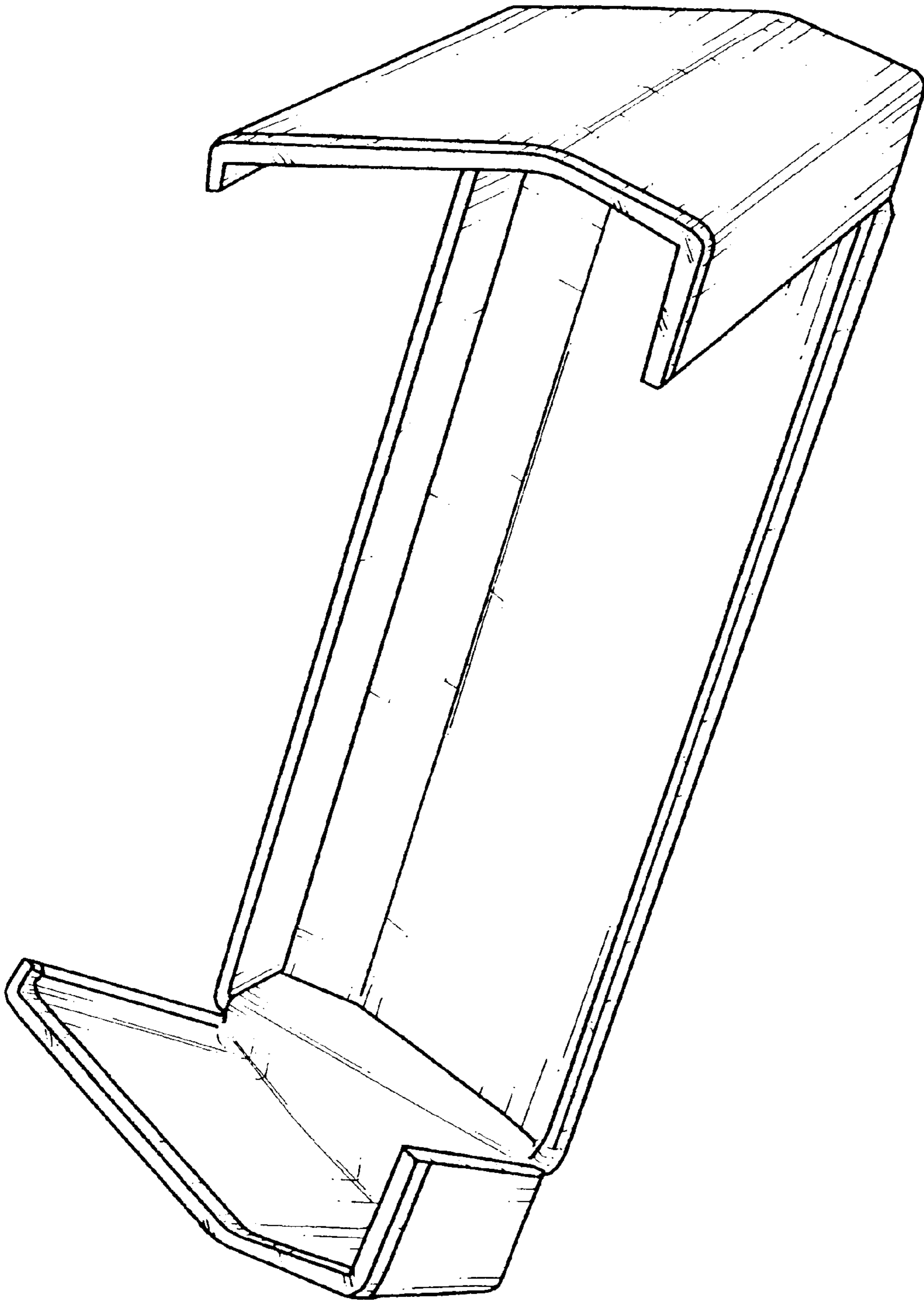


FIG 8