



US00D426364S

United States Patent [19] King

[11] Patent Number: **Des. 426,364**

[45] Date of Patent: **** Jun. 6, 2000**

[54] TRASH BAG HOLDER

[76] Inventor: **Nancy W. King**, 4171 Farmview Dr.,
Nashville, Tenn. 37218

[**] Term: **14 Years**

[21] Appl. No.: **29/085,411**

[22] Filed: **Mar. 23, 1998**

[51] LOC (7) Cl. **09-09**

[52] U.S. Cl. **D34/6**

[58] Field of Search 248/95, 97, 98-101;
D3/318, 319, 321, 328, 305-307; D34/5-6

[56] **References Cited**

U.S. PATENT DOCUMENTS

D. 336,704	6/1993	Foden	D34/6
D. 394,934	6/1998	Mendez	D34/6
857,820	6/1907	Mosher	248/99
998,291	7/1911	Heyd	248/101
1,235,388	7/1917	Sherwood	248/101
1,809,317	6/1931	Snyder	248/101
2,471,309	5/1949	Chandler	248/99
3,603,542	9/1971	Grille	248/98

4,023,842	5/1977	Harvey	248/99
4,615,743	10/1986	Bylenga	D34/6
4,768,742	9/1988	Kaaloa	248/99
4,832,292	5/1989	Beckham	248/99
4,955,566	9/1990	Bolich	D34/6

Primary Examiner—Louis S. Zarfaz
Assistant Examiner—Robert A. Delehanty
Attorney, Agent, or Firm—Garvey, Smith, Nehrbass &
Doody, LLC

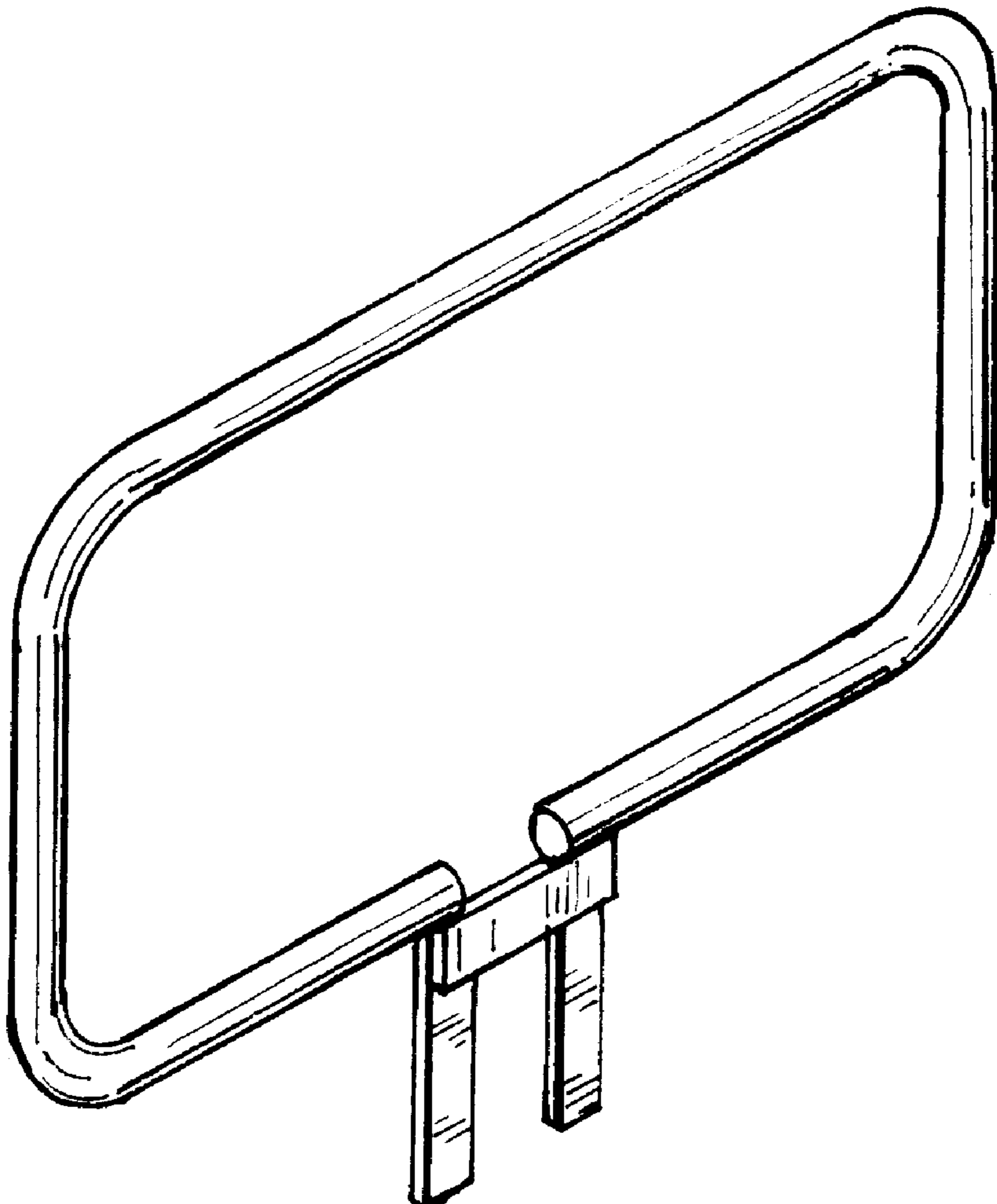
[57] **CLAIM**

The ornamental design for a trash bag holder, as shown.

DESCRIPTION

FIG. 1 is a front elevational view of the bag holder according to my design;
FIG. 2 is a bottom view thereof;
FIG. 3 is a top view thereof;
FIG. 4 is a right side view of the bag holder of FIG. 1, the undisclosed left side view being a mirror image thereof;
FIG. 5 is a perspective view of the design of FIG. 1; and,
FIG. 6 is a perspective view of an alternate embodiment of the bag holder illustrated in FIG. 5.

1 Claim, 1 Drawing Sheet



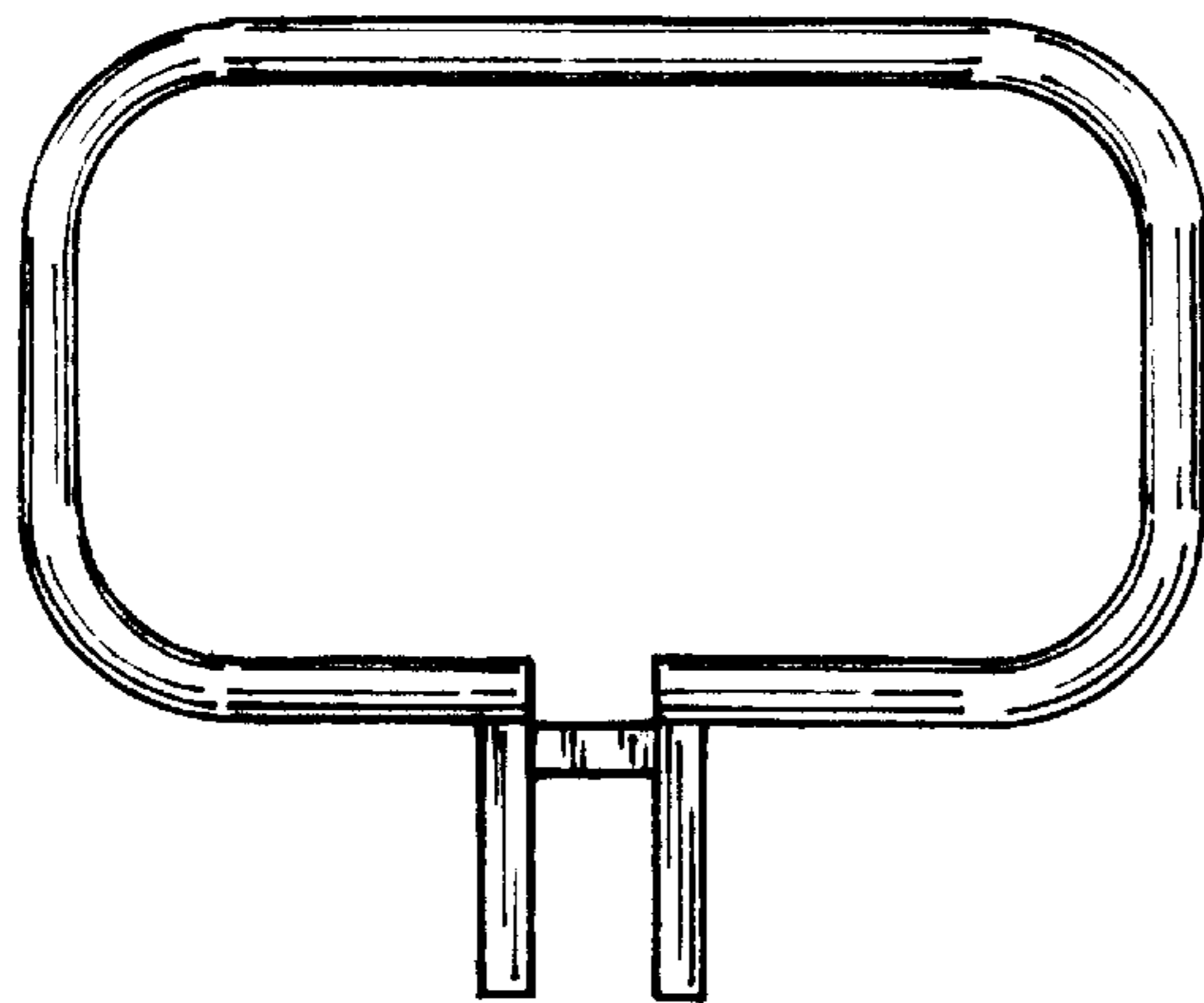


FIG. 2

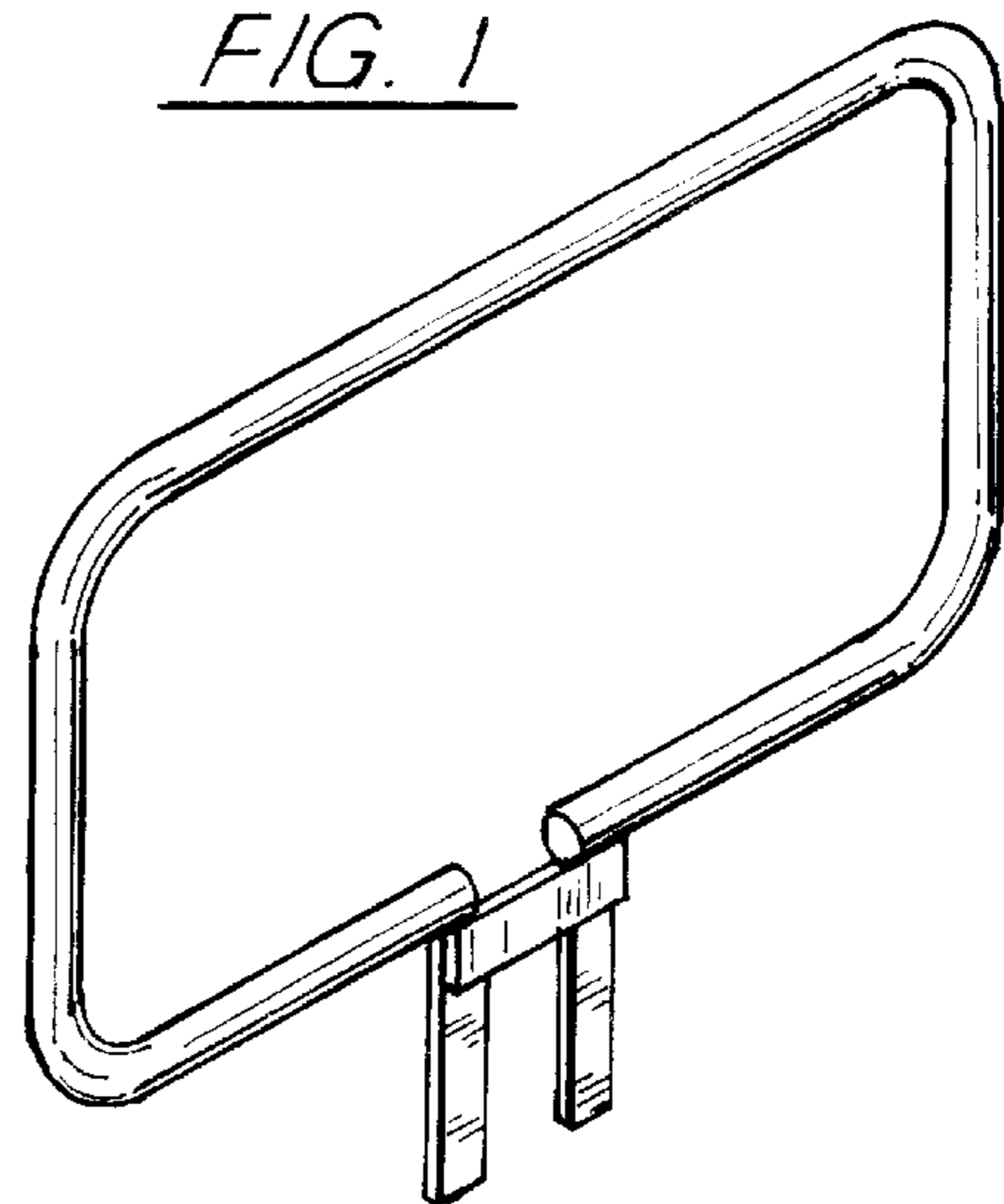


FIG. 1



FIG. 3

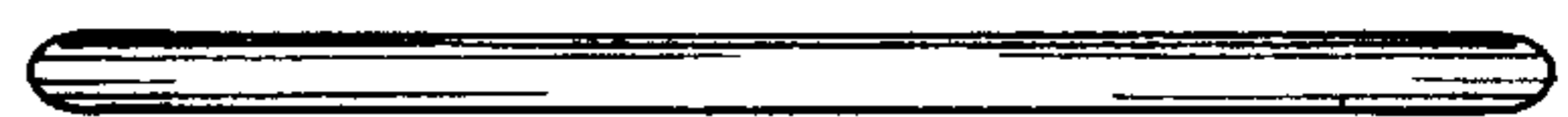


FIG. 5

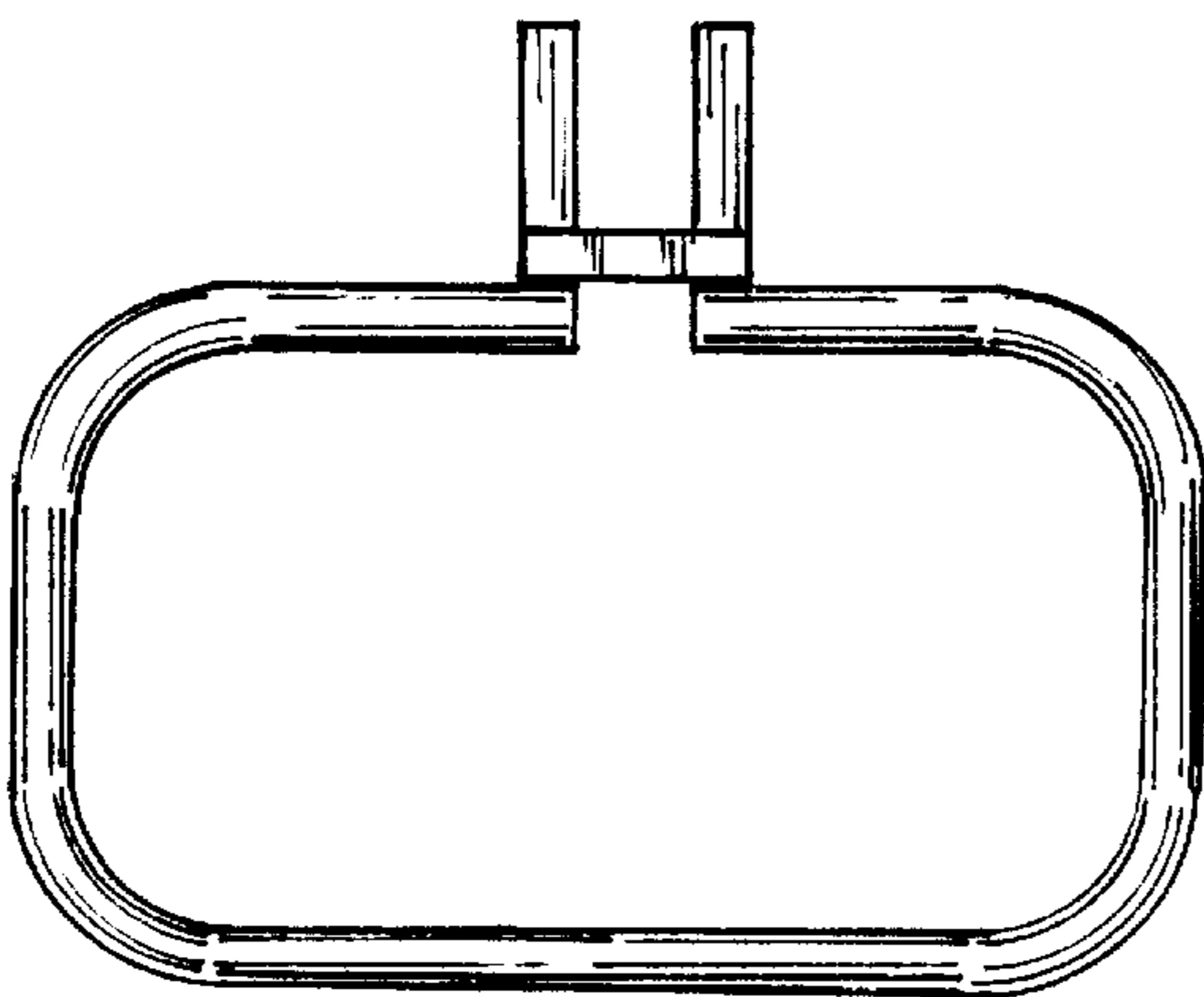


FIG. 4



FIG. 6