



US00D426362S

United States Patent [19] Kent

[11] **Patent Number: Des. 426,362**
[45] **Date of Patent: ** Jun. 6, 2000**

[54] **HINGEABLE LID FOR BUCKET**
[75] Inventor: **David D. Kent**, Mission Viejo, Calif.
[73] Assignee: **Kenmont Industries, LLC**, Santa Ana, Calif.
[**] Term: **14 Years**
[21] Appl. No.: **29/107,038**
[22] Filed: **Jun. 28, 1999**
[51] **LOC (7) Cl.** **07-67**
[52] **U.S. Cl.** **D32/53**
[58] **Field of Search** D32/53, 53.1, D32/54; D34/11; 220/259, 263

D. 355,735 2/1995 Shaffer et al. D32/53
Primary Examiner—Robin V. Taylor
Attorney, Agent, or Firm—Calif K. Tervo

[57] CLAIM

The ornamental design for a hingeable lid for bucket, as shown & described.

DESCRIPTION

FIG. 1 is a top perspective view of hingeable lid for bucket showing my new design;
FIG. 2 is a bottom perspective thereof;
FIG. 3 is a top plan view thereof;
FIG. 4 is a left elevation view thereof; the right side being a mirror image.
FIG. 5 is a front elevation view thereof; the rear side being a mirror image; and,
FIG. 6 is a bottom elevation thereof.

[56] **References Cited**
U.S. PATENT DOCUMENTS
D. 222,981 2/1972 Yates D32/53
D. 296,023 5/1988 Tapdrup D32/54

1 Claim, 2 Drawing Sheets

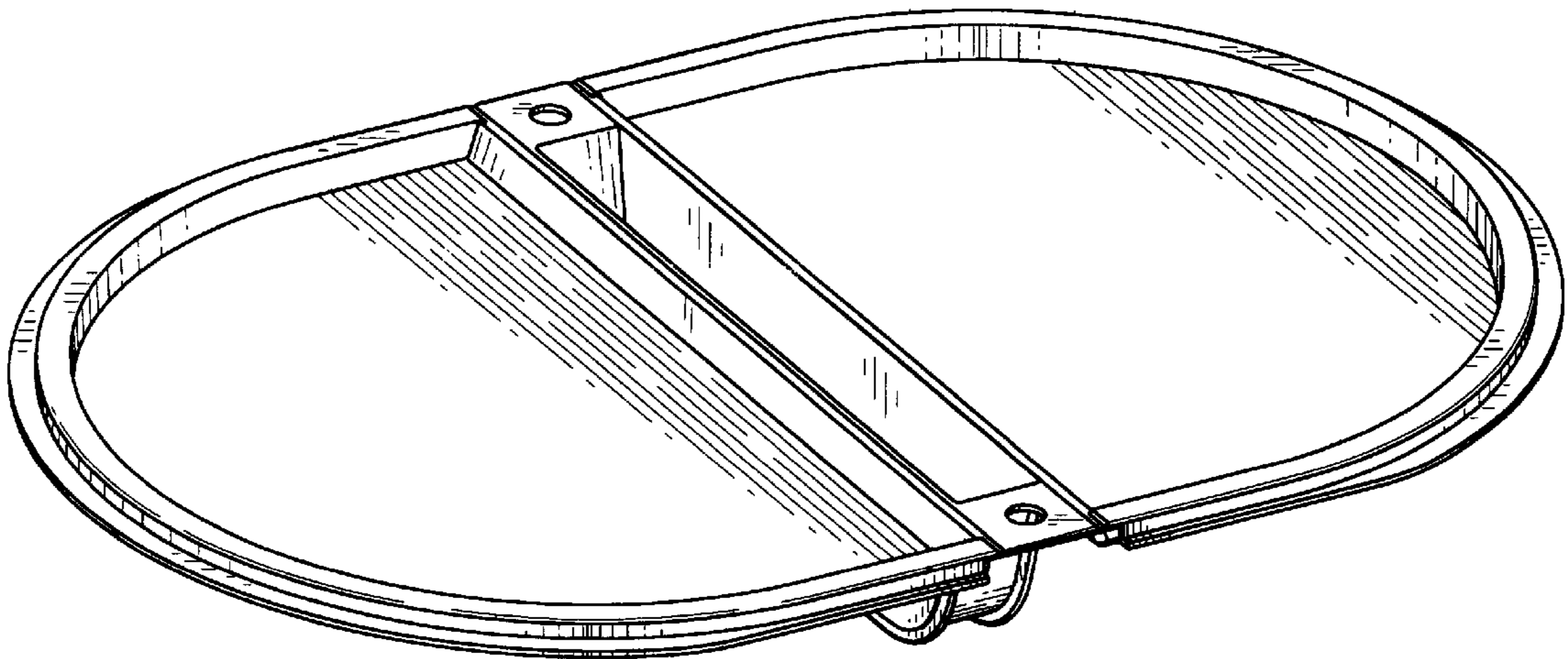


Fig. 1

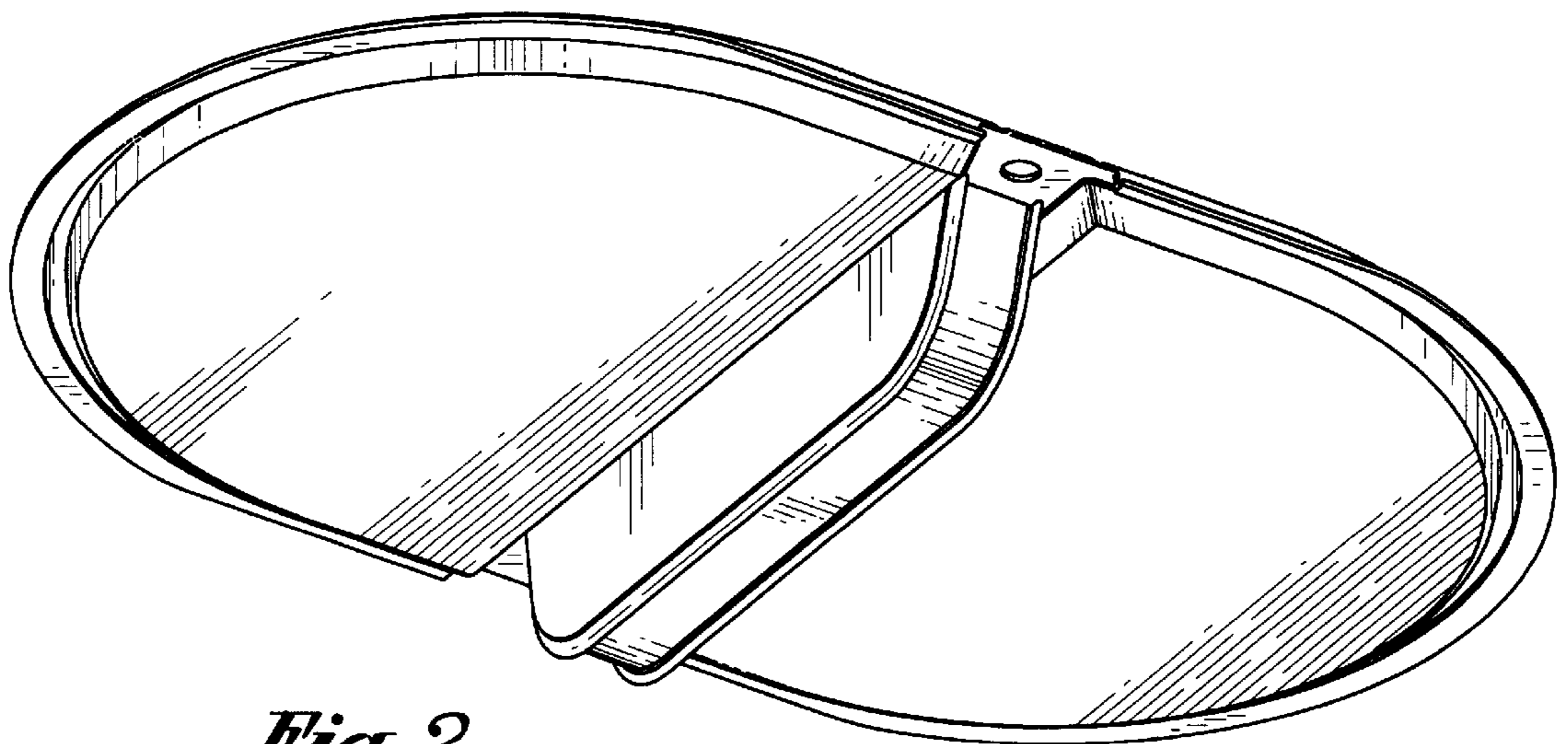
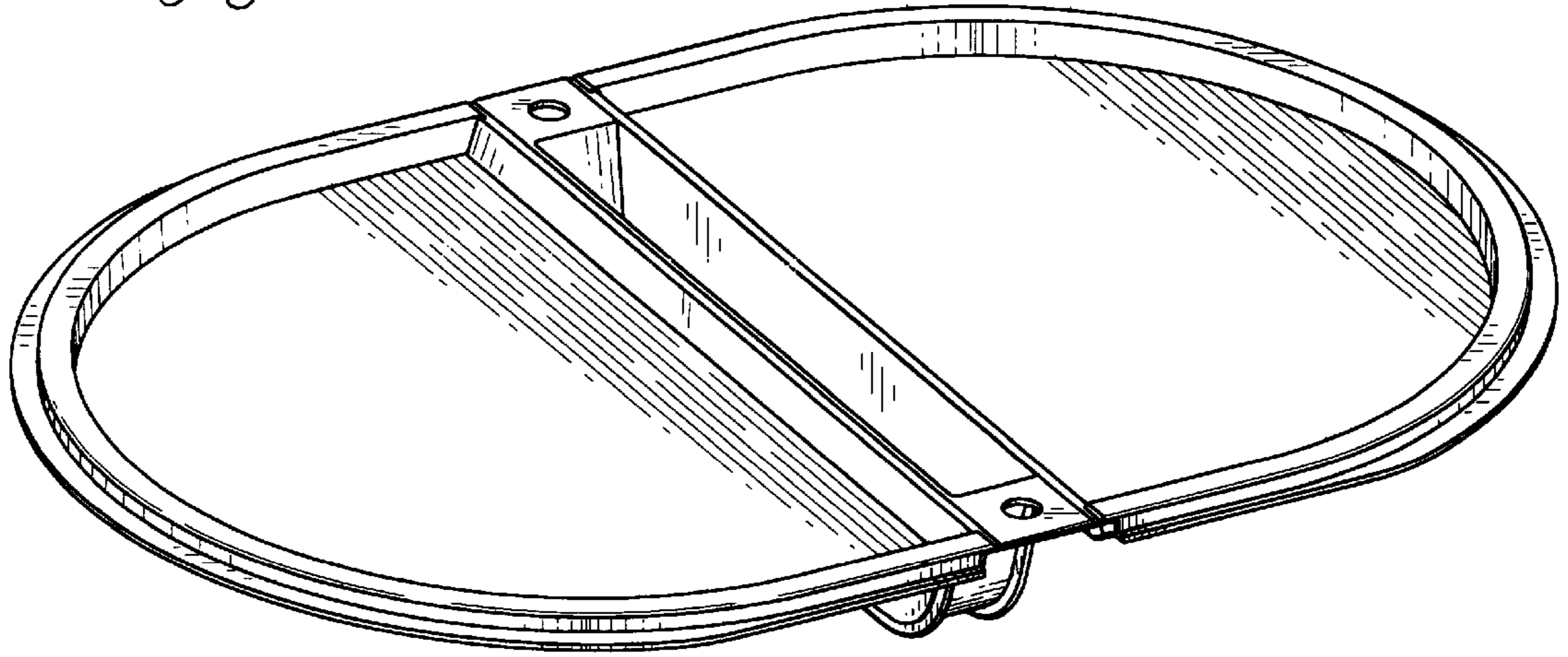


Fig. 2

Fig. 3

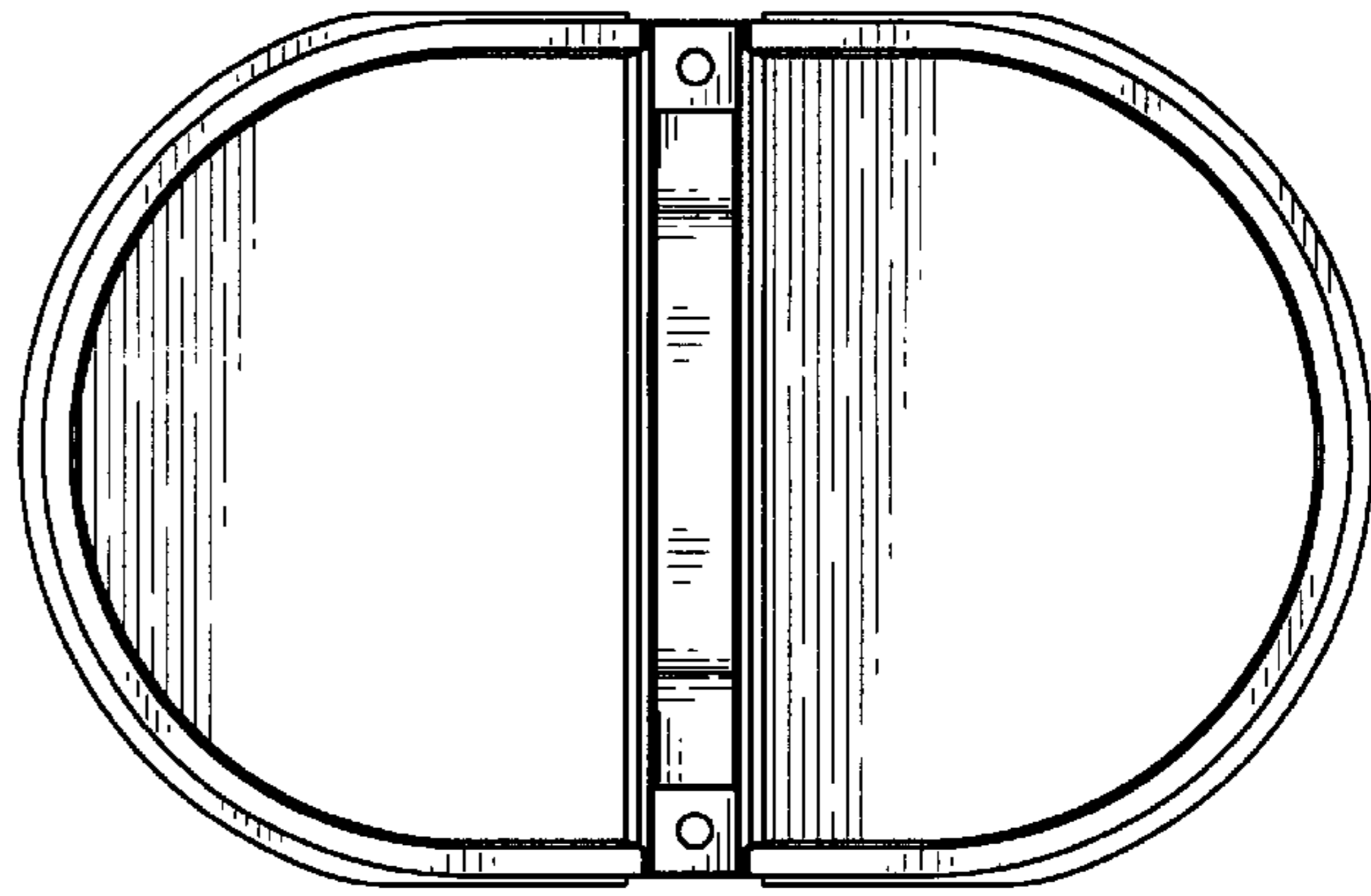


Fig. 4

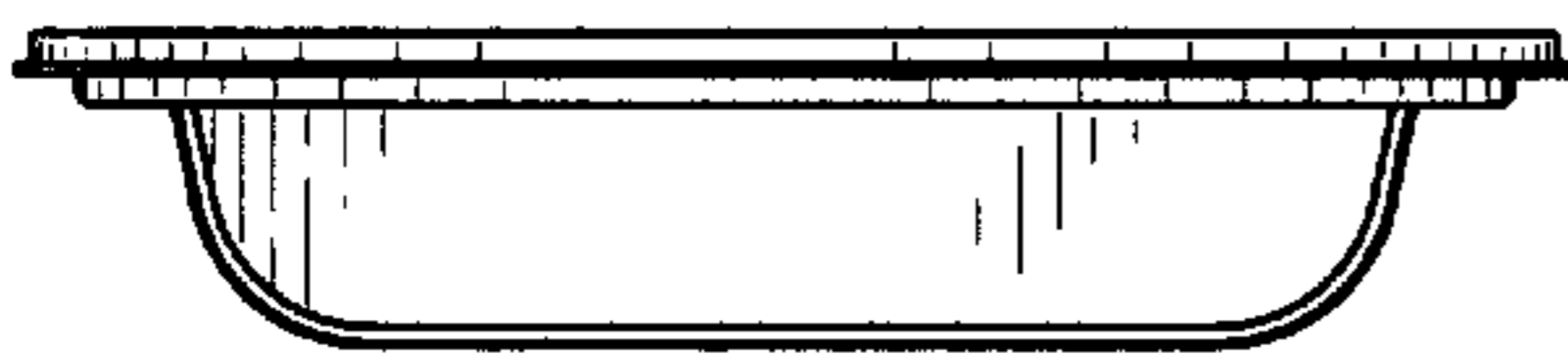


Fig. 5



Fig. 6

